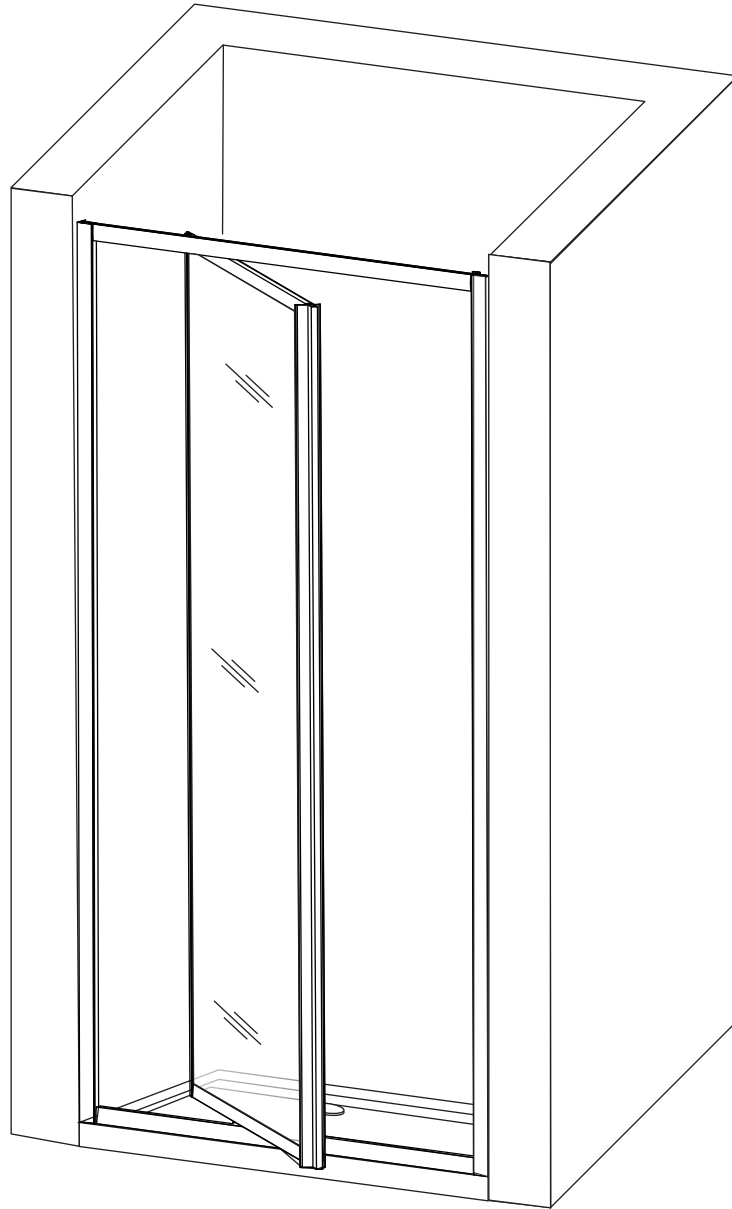




# Assembly Instructions

## Pivot Door

---



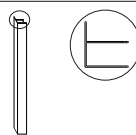





Product Reference (Barcode) : 79823 (01062762)  
83324 (01062779)  
48826 (01062786)  
38683 (01062793)



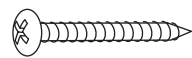

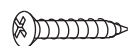
# Assembly Instructions

## Pivot Door






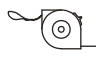



### Parts Supplied

Ref	Description	Illustration	Qty	Ref	Description	Illustration	Qty
A	Wall Profile		2	D	Wall Profile Cap (Left and Right)		1
B	Pivot Door		1				1
C	Screw Cap		16	E	Wall Profile Cap		2

### Fittings Supplied

Ref	Description	Illustration	Qty	Ref	Description	Illustration	Qty
F	Cross Head Screw ST4X30mm		8	H	Wall Plug		8
G	Cross Head Screw ST4X12mm		8				

### Tools Required (not supplied)

Picture	Description	Picture	Description	
	3mm HSS Drill Bit		Silicone Sealant	
	6mm Drill Bit suitable for type of wall fixings to be used			Pencil
	Cross-Head #2 (6mm) Screwdriver			
	Power Drill (with hammer action)		Spirit Level	
	Rubber Mallet			



# Assembly Instructions

## Pivot Door

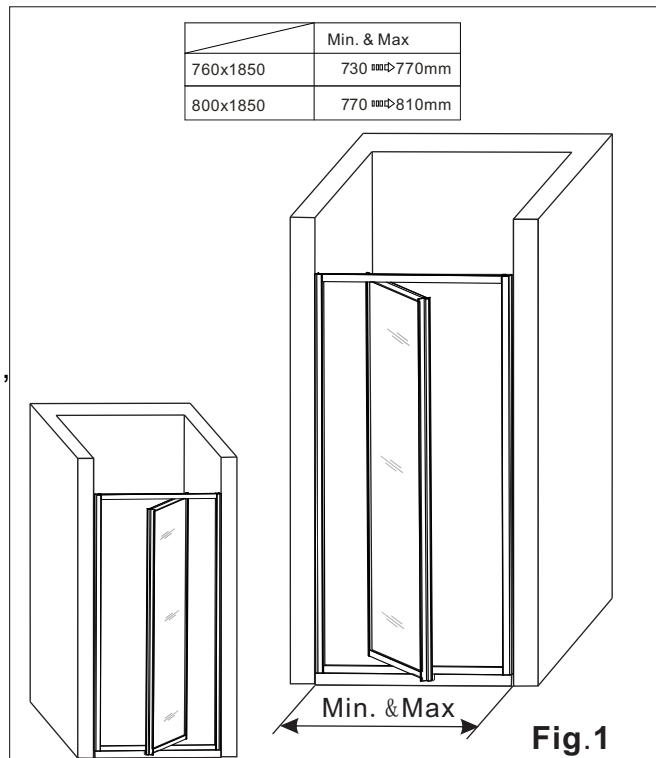
### Before You Start

- **WARNING:** Please read these instructions through carefully before you start the installation. Incorrect product installation may result in serious product failure in use. Always follow the instructions and retain them for future use.
- The enclosure is designed to allow for 20mm adjustment when fitted to "out of true walls".
- The thickness of the tiles used will affect the overall position of the enclosure on the tray.
- When you are ready to start, make sure you have the right tools to hand, plenty of space and a clean dry area for assembly.
- Two people are required for assembly. Please note that although these instructions are comprehensive, it is always recommended that a technically competent installer should undertake installation.
- Ensure that the enclosure is fitted to a level tray or floor and vertical walls.
- **Please note:** The wall plugs included with this product are suitable for solid walls only. Plasterboard or stud walls may require specialized fixings which are not provided. (Always ensure that the wall plugs or fittings are correct for the wall type.)
- **Caution:** Please handle all glass with care. Any damage to the edges, or scratches to the surface that occur during assembly or normal use can cause the glass to break suddenly. Tempered glass will shatter into very small pieces that will still have sharp edges.
- **Caution:** Care should be taken when drilling into walls to avoid hidden pipes or electrical cables.
- When working near a tray or bath, ensure that the waste is covered so that small parts do not fall down it.

### Assembly

1. Before fixing the shower door, ensure the shower tray at the base is properly installed and fully silicone sealed.

Note: The pivot door can either be installed on the right or left hand side, as per **Fig.1**. Decide which side the door is to be fitted before you start.

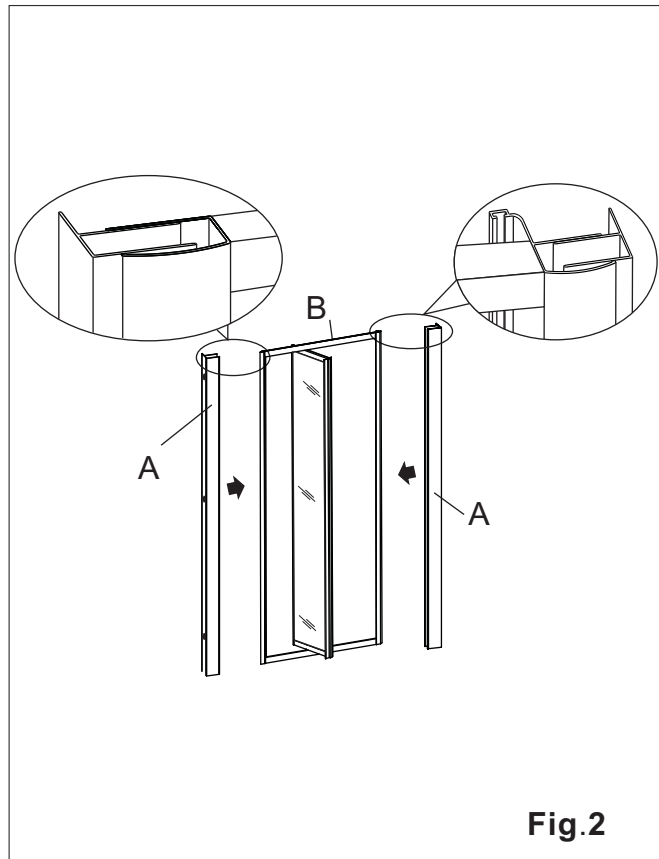




# Assembly Instructions

## Pivot Door

2. Insert the wall profiles (A) into the side profiles of the pivot door (B). Ensuring the correct orientation of the flanges as per **Fig.2**.



3a. Place the shower door on the shower tray, and position it so that there is an even gap of not less than 10-15mm to the front edge of the tray.

3b. Adjust the two wall profiles so that they sit flush to the walls, and use a spirit level to ensure that they are both vertical. See **Fig.3**.





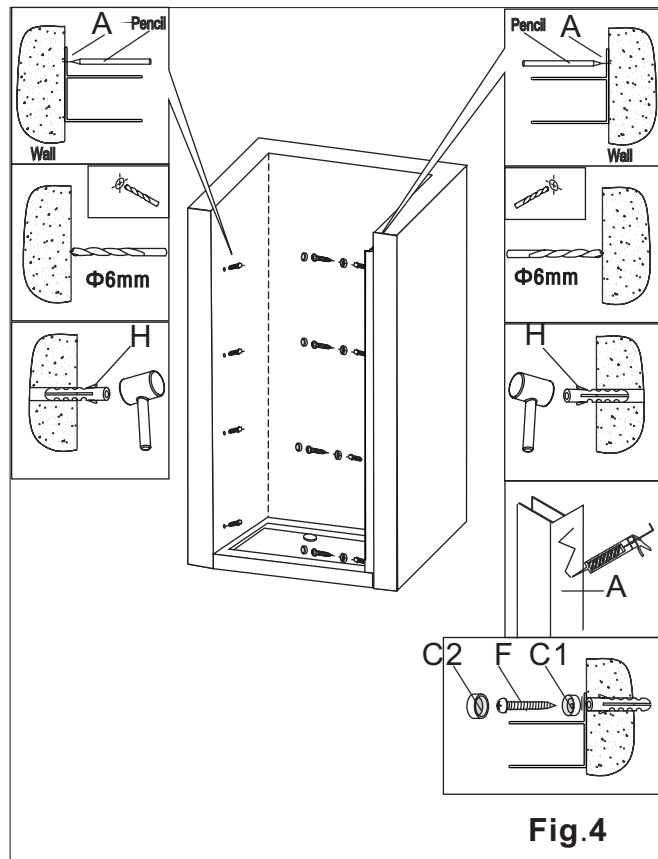
# Assembly Instructions

## Pivot Door

4a. Taking care not to move the door, use the pre-drilled holes in the wall profiles (A) as a template and mark the hole positions on the wall with a pencil. See **Fig.4**.

4b. Remove the door and drill the holes with a drill bit suitable for the wall type and fixing being used. Insert the wall plugs (H) into the holes using a rubber mallet.

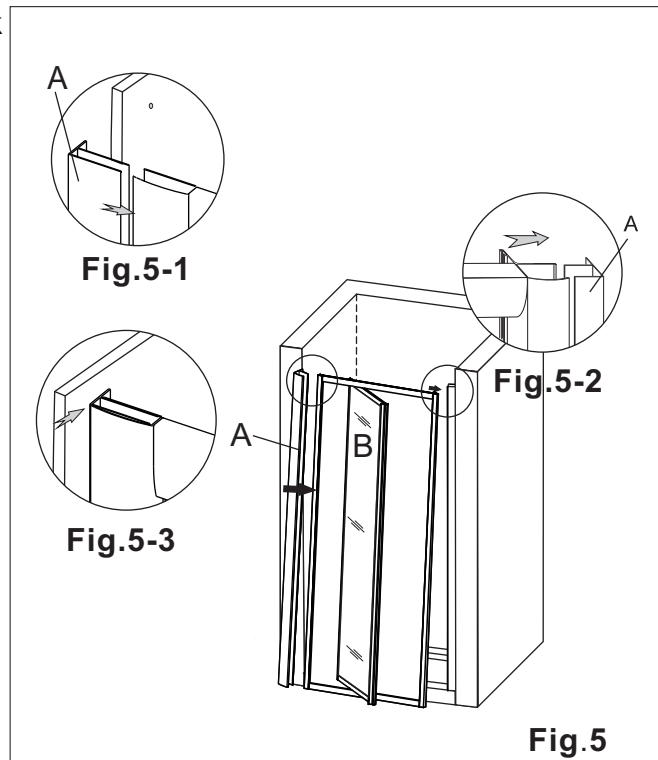
4c. Apply silicone sealant to the back of one of the wall profiles (A) and secure it to the wall where the magnetic strip will be located using screws ST4x30mm (F) and screw cap washer (C1). Cover them with screw cap (C2) as per **Fig.4**.



5a. Apply silicone sealant to the back of the other wall profile (A) and insert it into the door side profile nearest to the pivot hinge, and push it fully home. See **Fig.5-1**.

5b. Fit the door side profile with the magnetic strip over the wall profile (A) and push fully home. See **Fig.5-2**.

5c. Position the other side of the door so that the holes in the wall profile line up with the holes in the wall. See **Fig.5-3**.

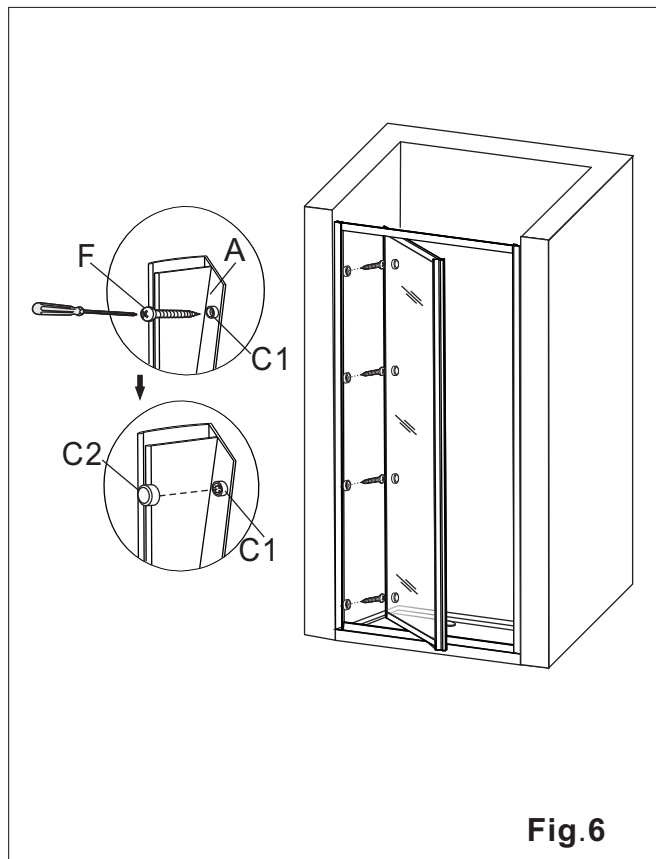




# Assembly Instructions

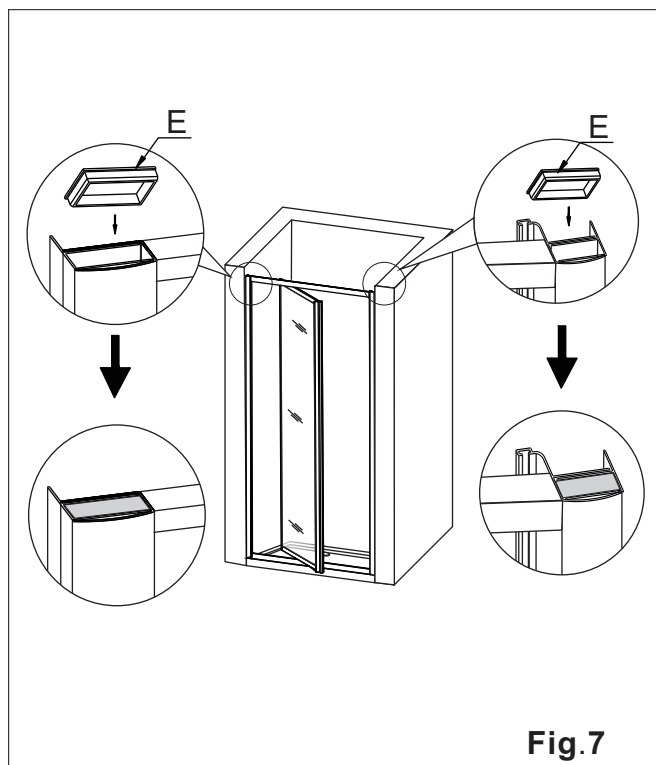
## Pivot Door

6. Secure the wall profile to the wall using screws ST4x30mm (F) and screw cap washer (C1). Cover them with screw caps (C2). See **Fig.6**.



**Fig.6**

7. Fit the wall profile caps (E) to the two wall profiles (A) as per **Fig.7**.



**Fig.7**



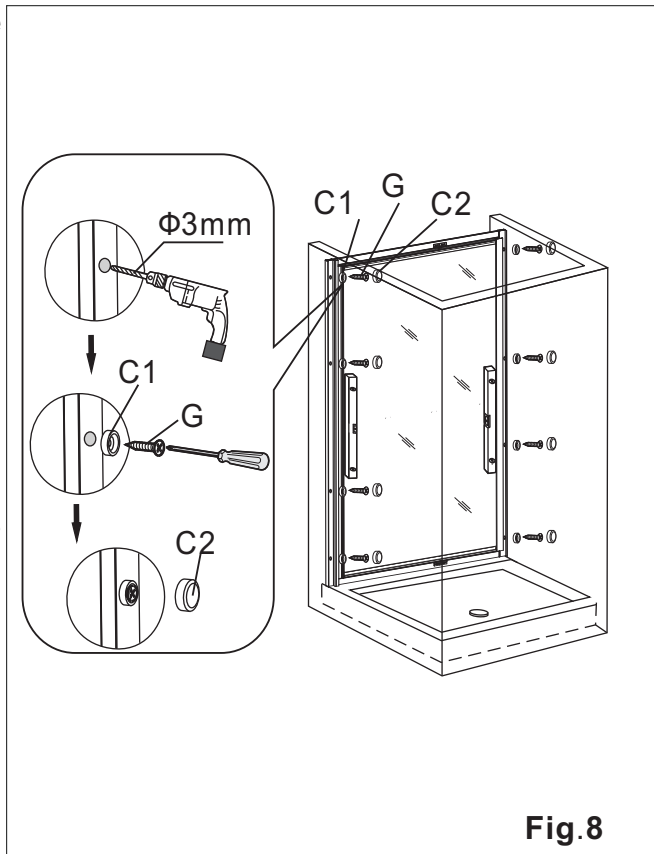
# Assembly Instructions

## Pivot Door

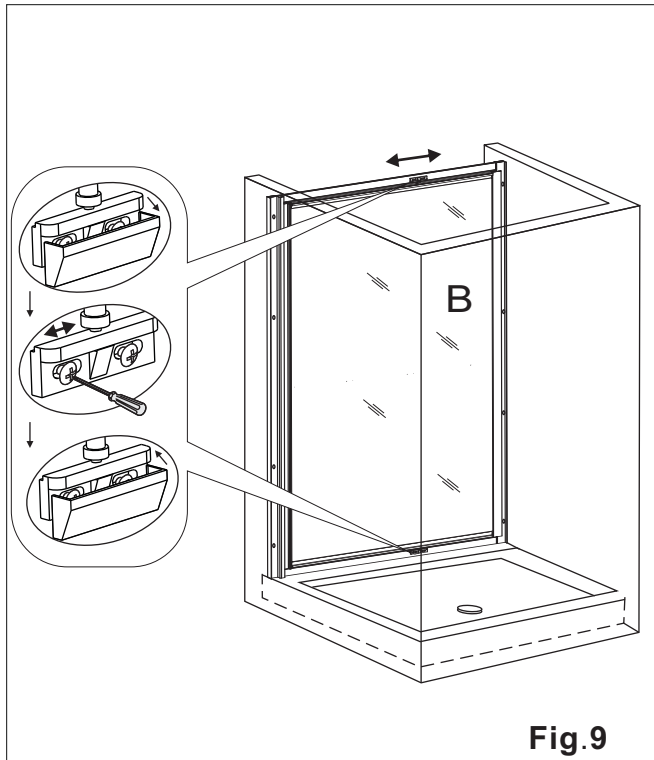
8a. Using a spirit level ensure that the door is vertical, and position it as evenly as possible between the two walls.

8b. Taking care not to move the door, use a 3mm HSS Drill to drill holes through the pilot holes on the side profiles of the pivot door (B). Ensure that you do not drill too far and mark the outer surface of the profiles.

8c. Secure the profiles using screws ST4x12mm (G) and screw cap washers (C1). Cover with screw caps (C2) as per **Fig.8**.



9. It may be necessary to adjust the pivot door hinge to allow the door to open and close smoothly. To do this, remove the pivot hinge covers and loosen the fixing screws to allow the pivot hinge to move. Move the hinge left or right to make the door square in the frame, open with a smooth action. See **Fig.9**. Re-tighten the screws and re-fit the covers.

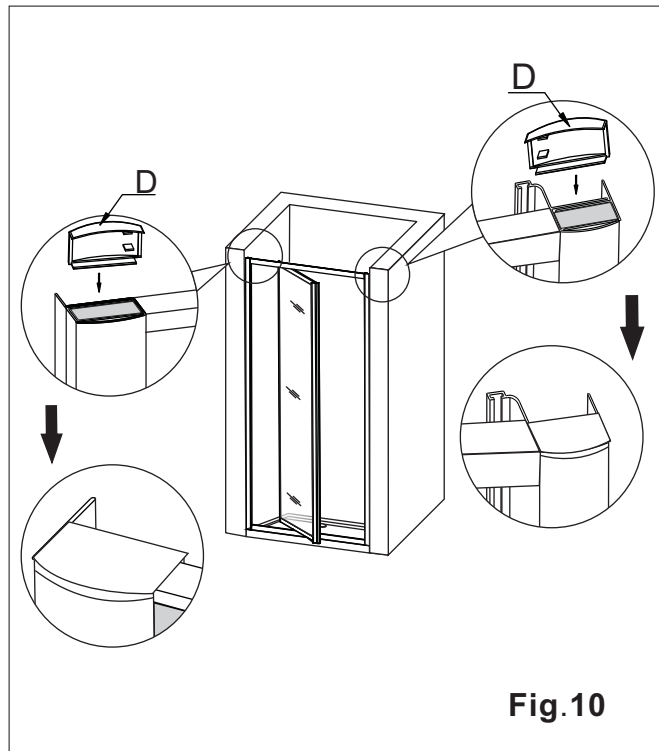




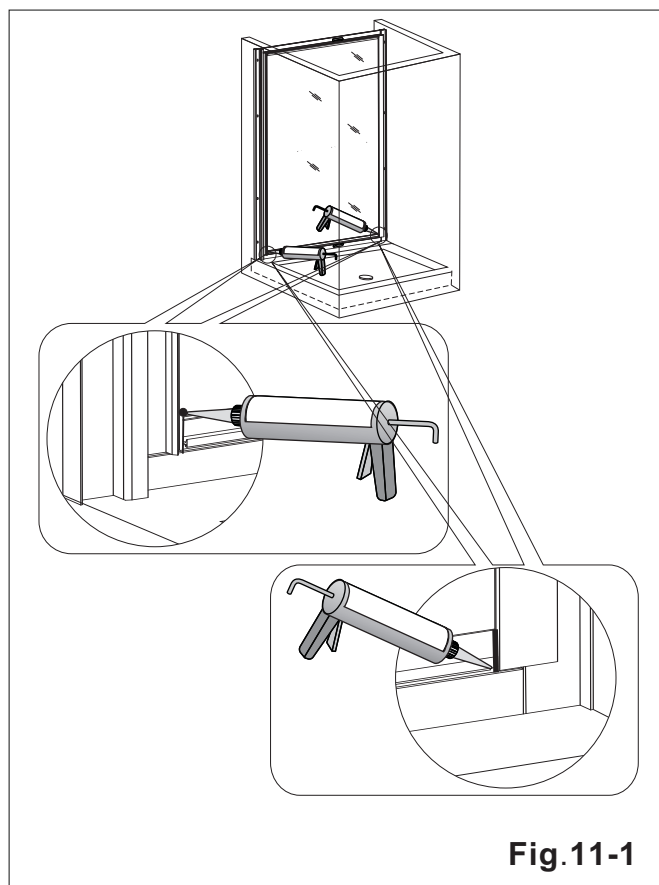
# Assembly Instructions

## Pivot Door

10. Fit the left and right profile caps (D) on the top of the two side profiles noting the correct orientation as per **Fig.10**.



11a. Apply silicone sealant to the joints on the shower enclosure as indicated by the thick line in **Fig.11-1**.







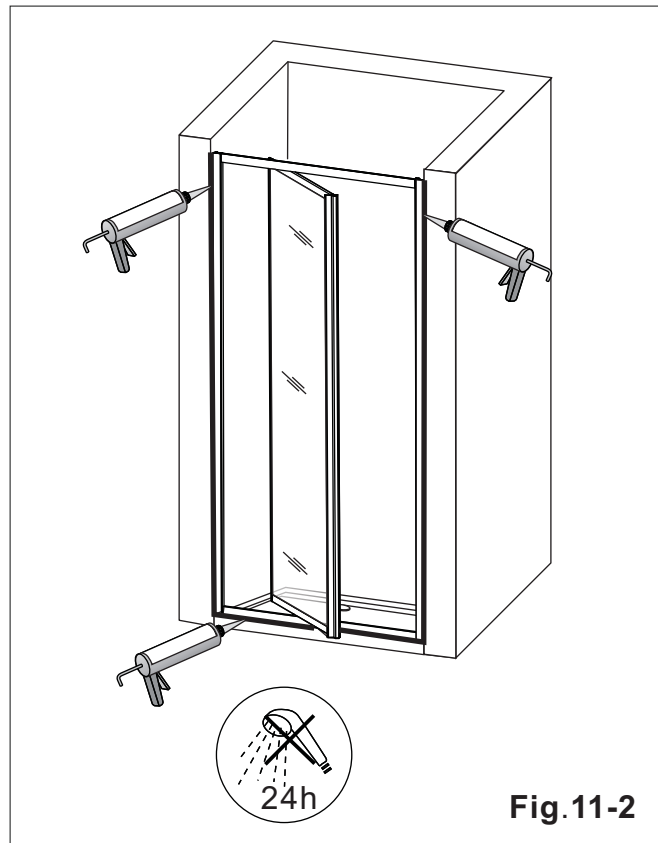
# Assembly Instructions

## Pivot Door

11b. Apply silicone sealant to the joints on the outside of the shower door only as indicated by the thick line in **Fig.11-2**.

Note: If silicone is applied to the inside of the door as well, it can cause the water to remain trapped and build up, eventually causing leaks.

Note: Do not use the shower door for at least 24 hours in order to allow the silicone sealant to cure fully.



### Care & Use

- Soapy water is adequate to keep the glass clean, although glass cleaner can be used if required. Scourers, abrasives and chemical cleaners can damage the glass and pattern, and should not be used.
- In hard water areas, insoluble lime salts may be deposited on the glass. If this is allowed to build up it becomes increasingly difficult to remove and looks unsightly. Regular cleaning will minimize this effect.