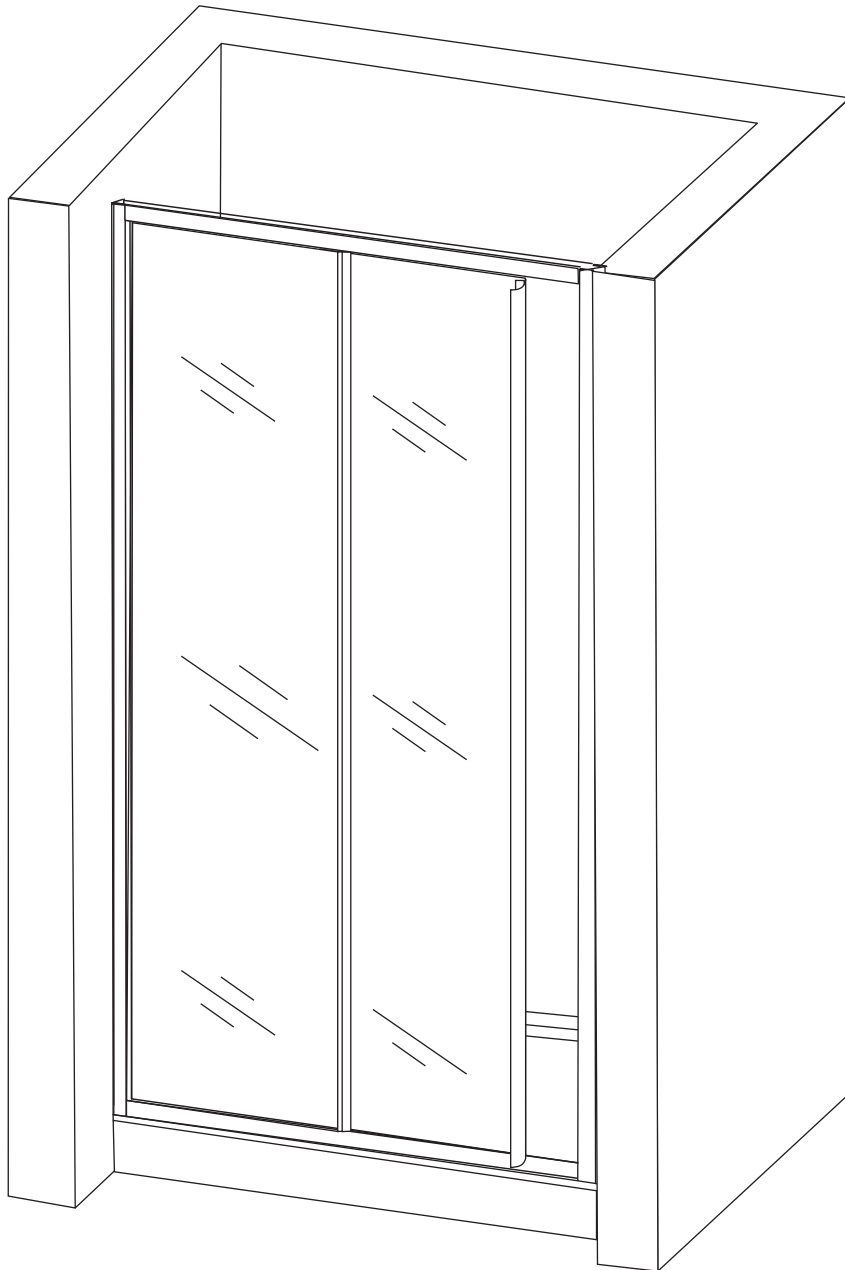




Assembly Instructions Sliding Door



Product Reference (Barcode) : 69003(01062847)
21116(01062854)
97008(01062861)
45507(01062878)



Assembly Instructions Sliding Door

Parts Supplied

Ref	Description	Illustration	Qty
A	Wall Profile		2
B	Track Frame (B1)		1
	Track Frame (B2)		1
C	Side Profile		1
D	Fixed Glass		1
E	Movable Door		1
F	Gasket		2
			2

Ref	Description	Illustration	Qty
G	Top Roller (G1)		2
	Bottom Roller (G2)		2
H	Screw Cover Cap		16
I	Wall Profile cap (I1) (Left and Right)		1
			1
	Profile Cap (I2)		2
J	Profile Splash Seal		1
K	Splash Seal		2

Fittings Supplied











Ref	Description	Illustration	Qty
L	Cross Head Screw ST4x12mm		8
M	Cross Head Screw ST4X16mm		2
N	Cross Head Screw ST4x20mm		8

Ref	Description	Illustration	Qty
O	Cross Head Screw ST4x30mm		8
P	Wall Plug		8



Assembly Instructions Sliding Door

Tools Required(not supplied)

Picture	Description	Picture	Description
	3mm HSS Drill Bit		Spirit Level
	6mm Drill Bit suitable for type of wall fixings to be used		Pencil
	Cross-Head #2 (6mm) Screwdriver		Rubber Mallet
	Power Drill (with hammer action)		Tape Measure
	Silicone Sealant		Scissors or Knife

Before You Start

- **WARNING:** Please read these instructions through carefully before you start the installation. Incorrect product installation may result in serious product failure in use. Always follow the instructions and retain them for future use.
- The enclosure is designed to allow for 20mm adjustment when fitted to "out of true walls".
- The thickness of the tiles used will affect the overall position of the enclosure on the tray.
- When you are ready to start, make sure you have the right tools to hand, plenty of space and a clean dry area for assembly.
- Two people are required for assembly. Please note that although these instructions are comprehensive, it is always recommended that a technically competent installer should undertake installation.
- Ensure that the enclosure is fitted to a level tray or floor and vertical walls.
- **Please note:** The wall plugs included with this product are suitable for solid walls only. Plasterboard or stud walls may require specialized fixings which are not provided. (Always ensure that the wall plugs or fittings are correct for the wall type.)
- **Caution:** Please handle all glass with care. Any damage to the edges, or scratches to the surface that occur during assembly or normal use can cause the glass to break suddenly. Tempered glass will shatter into very small pieces that will still have sharp edges.
- **Caution:** Care should be taken when drilling into walls to avoid hidden pipes or electrical cables.
- When working near a tray or bath, ensure that the waste is covered so that small parts do not fall down it.

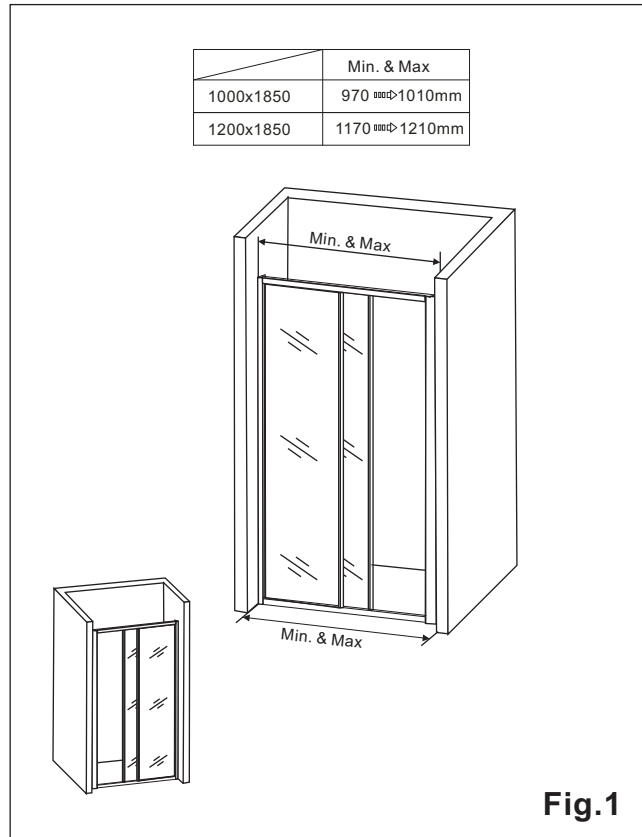


Assembly Instructions Sliding Door

Assembly

1. Before fixing the shower door, ensure the shower tray at the base is properly installed and fully silicone sealed.

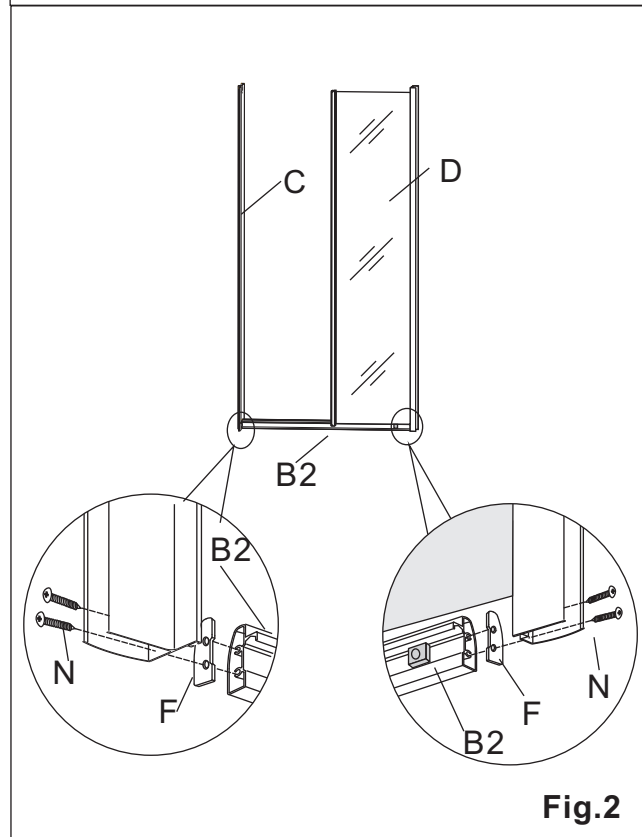
Note: The sliding door can either be installed on the right or left hand side as per **Fig.1**. Decide which side the door is to be fitted before you start.



2. Fit the gaskets (F) to the two ends of the track frame (B2). Assemble the track frame to the fixed glass panel (D) and the side profile (C). Secure them with screws ST4x20mm (N). See **Fig.2**.

Note: Ensure the end of the track frame with the slider bump stop on it is assembled to the fixed glass (D).

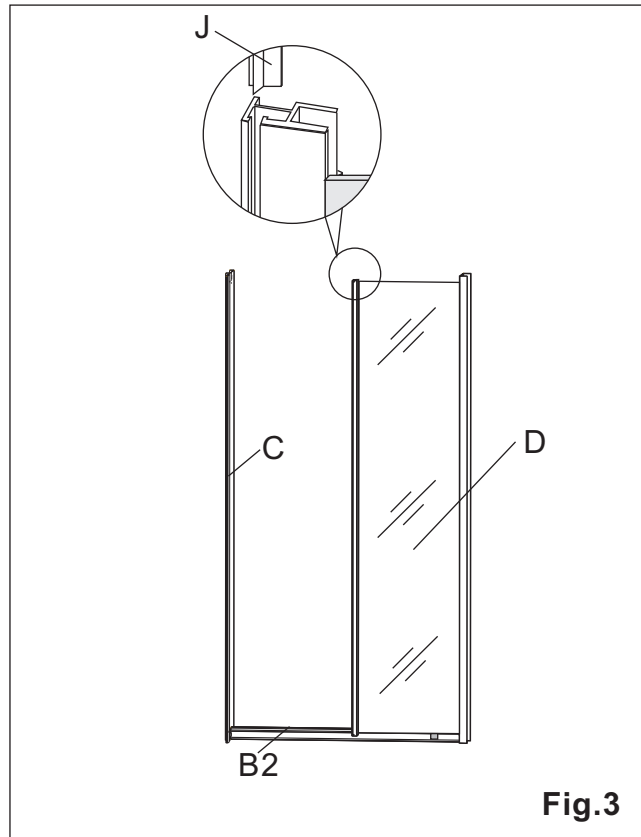
Note: For patterned glass, always ensure that the pattern is on the inside.





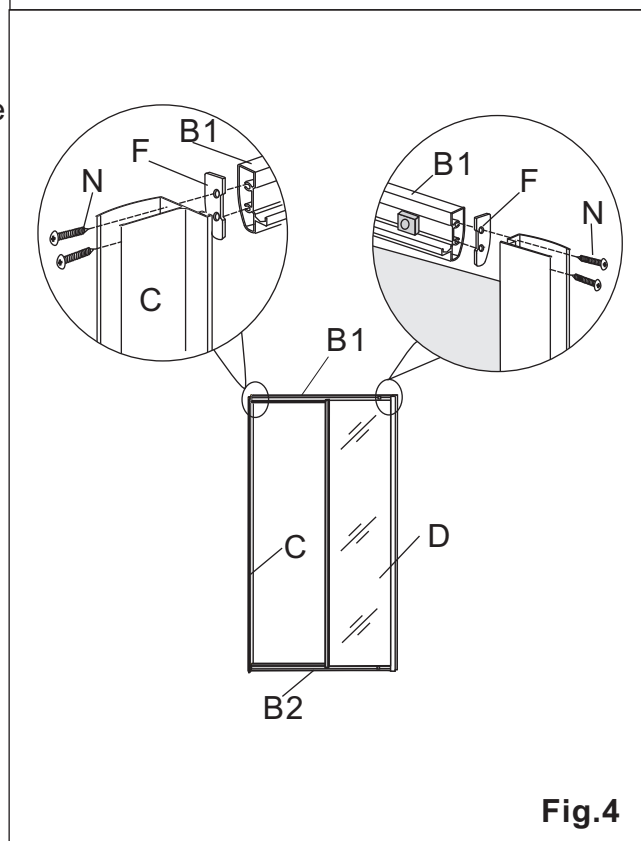
Assembly Instructions Sliding Door

3. Insert the profile splash seal (J) into the channel on the fixed glass (D).
See **Fig.3**.



4. Fit the gaskets (F) to the two ends of the track frame (B1). Fit the track frame to the fixed glass (D) and the side profile (C). Secure them with screws ST4x20mm (N). See **Fig.4**.

Note: Ensure the end of the track frame with the slider bump stop on it is assembled to the fixed glass (D).

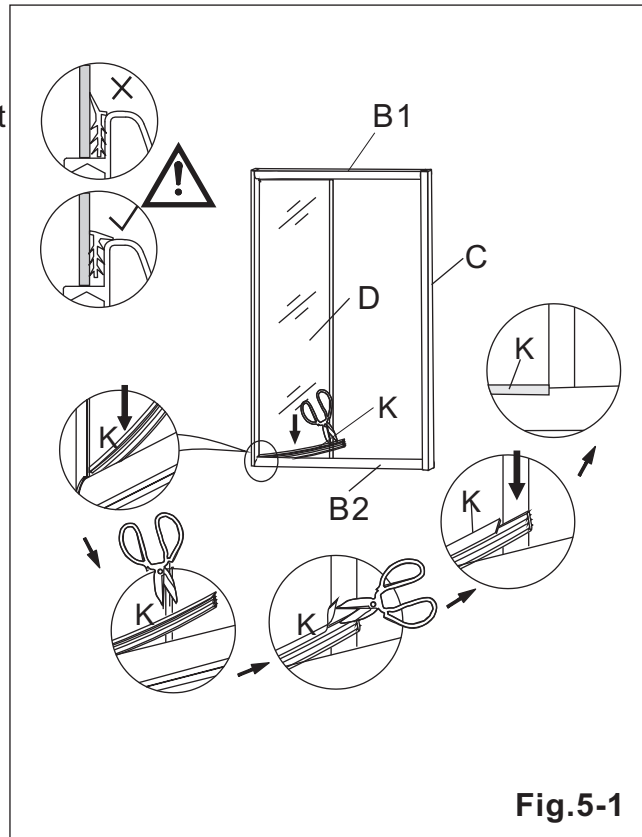




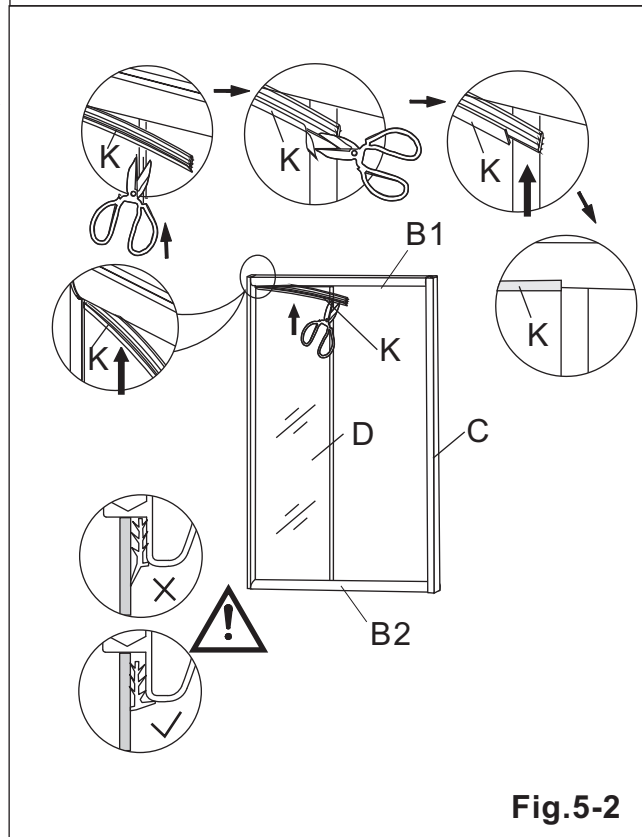
Assembly Instructions Sliding Door

5a. Using a sharp knife or scissors, insert the splash seal (K) tight into the corner of the fixed glass panel and trim it to the correct length and shape as illustrated in **Fig.5-1**.

Note: Ensure the orientation of the splash seal is correct when installed.



5b. Repeat the same process for the joint for the fixed glass (D) and top track frame (B1). See **Fig.5-2**.





Assembly Instructions Sliding Door

6a. Using a 3mm HSS drill bit, drill through the pilot holes in the top and bottom of the fixed panel seal profile, through the splash seal (K), into the top and bottom tracks. See **Fig.6**.

Note: Take care when drilling so as not to drill too deep and mark the outer surface of the top and bottom tracks.

6b. Secure the fixed glass panel to the top and bottom tracks using screws ST4x16mm (M). See **Fig.6**

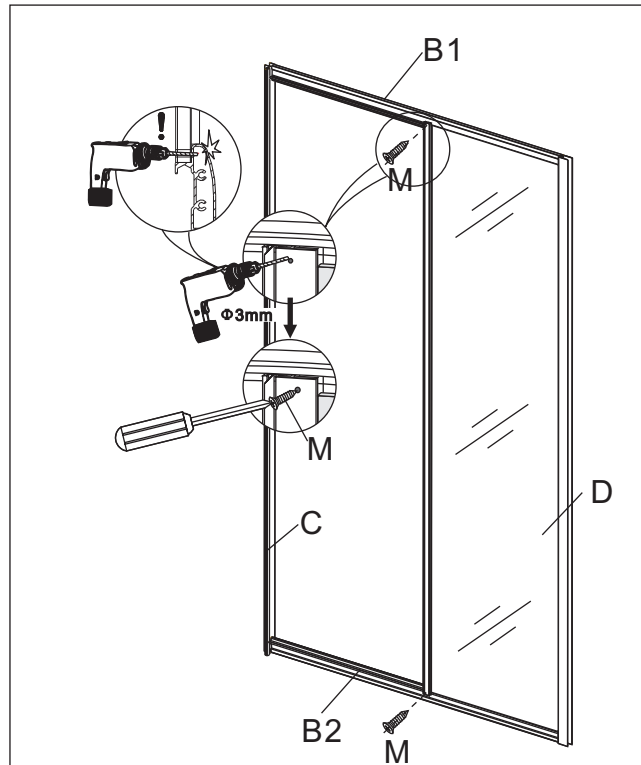


Fig.6

7. Insert the two wall profiles (A) into both side profiles, ensuring the correct orientation of the flanges as per **Fig.7**.

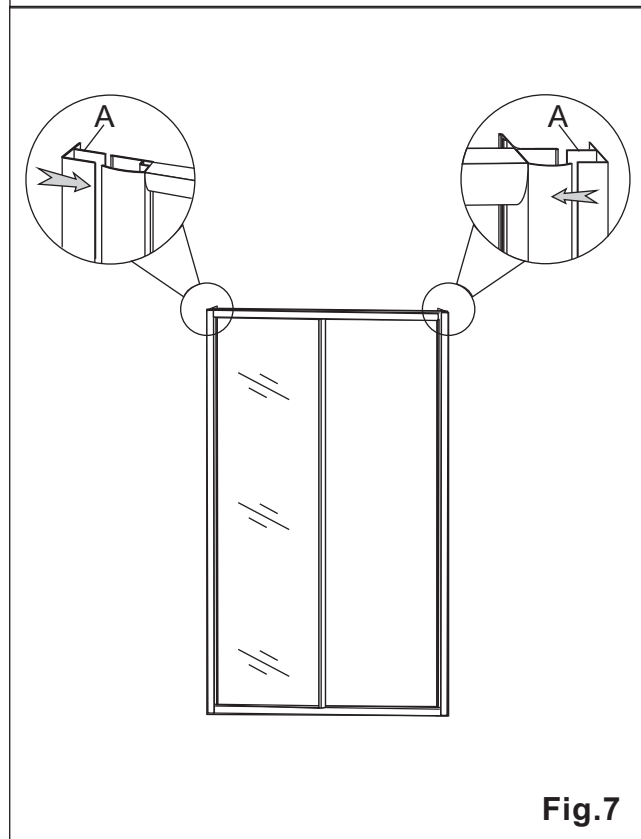


Fig.7



Assembly Instructions Sliding Door

8a. Place the shower door on the shower tray, and position it so that there is an even gap of not less than 10-15mm to the edge of the tray.

8b. Adjust the two wall profiles so that they sit flush to the walls, and use a spirit level to ensure that they are both vertical. See **Fig.8**.

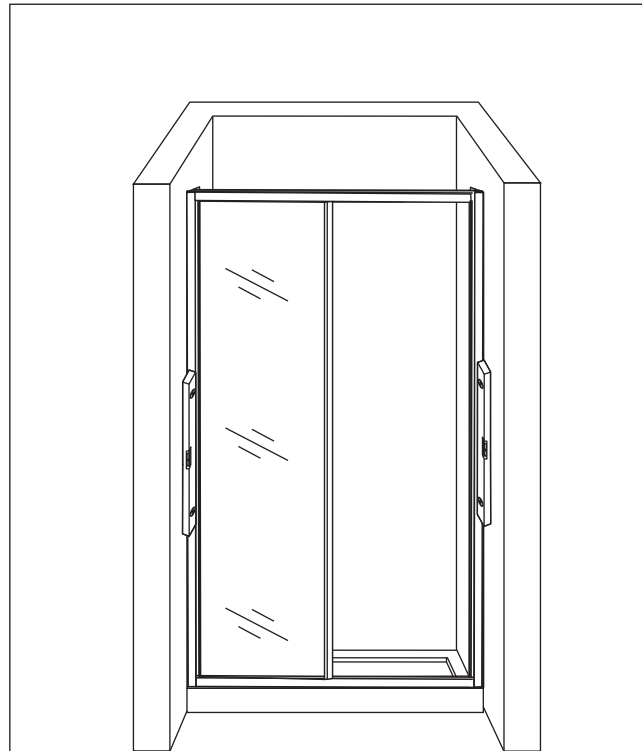


Fig.8

9a. Taking care not to move the door, use the pre-drilled holes in the wall profiles (A) as a template and mark the hole positions on the wall with a pencil. See **Fig.9-1** and **Fig.9-2**.

9b. Remove the door and drill the holes with a drill bit suitable for the wall type and fixing being used. Insert the wall plugs (P) into the holes using a rubber mallet. See **Fig.9-1** and **Fig.9-2**.

9c. Apply silicone sealant to the back of one of the wall profiles (A) and secure it to the wall where the magnetic strip will be located using screws ST4x30mm (O) and screw cap washer (H1). Cover them with screw cap (H2) as per **Fig.9**.

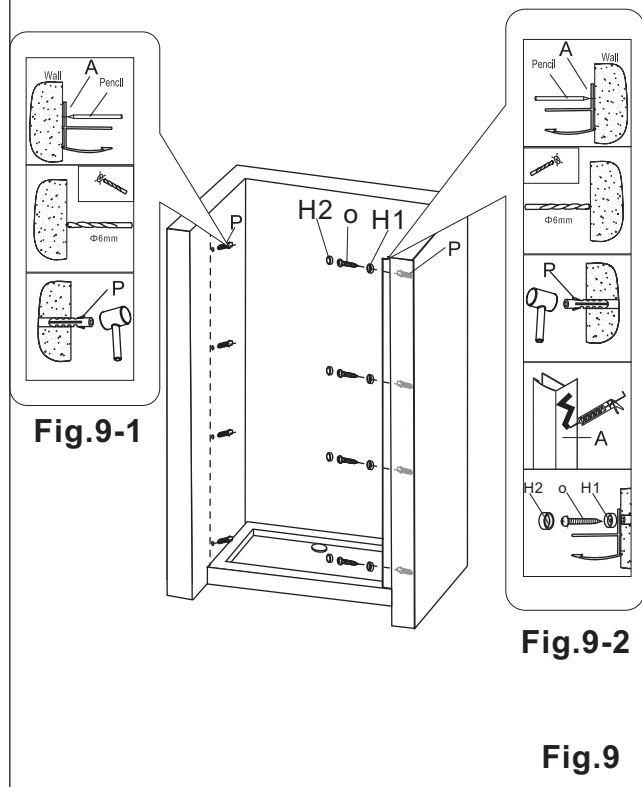


Fig.9-1

Fig.9-2

Fig.9

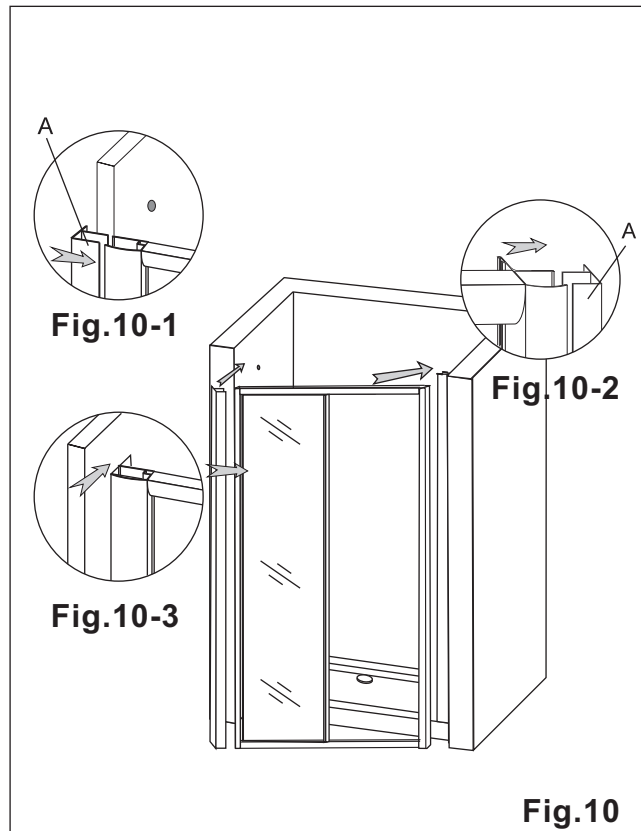


Assembly Instructions Sliding Door

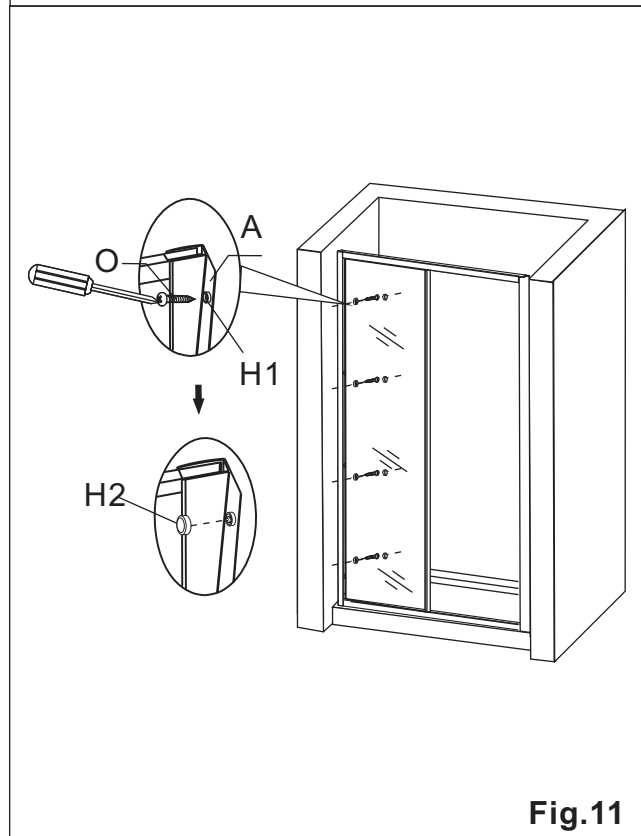
10a. Apply silicone sealant to the back of the other wall profile (A) and insert it into the door side profile by the fixed glass panel. See **Fig.10-1**.

10b. Fit the side profile (C) over the pre-installed wall profile (A), and push it fully home. See **Fig.10-2**.

10c. Position the other side of the door so that the holes in the wall profile line up with the holes in the wall. See **Fig.10-3**.



11. Secure the wall profile to the wall, using screw ST4x30mm (F) and screw cap washer (C1). Cover them with screw caps (C2). See **Fig.11**.





Assembly Instructions Sliding Door

12. Fit the top (G1) and bottom rollers (G2) to the glass door (E) ensuring the correct orientation as illustrated in **Fig.12**.

Note: For patterned glass, make sure that the pattern is on the inside.

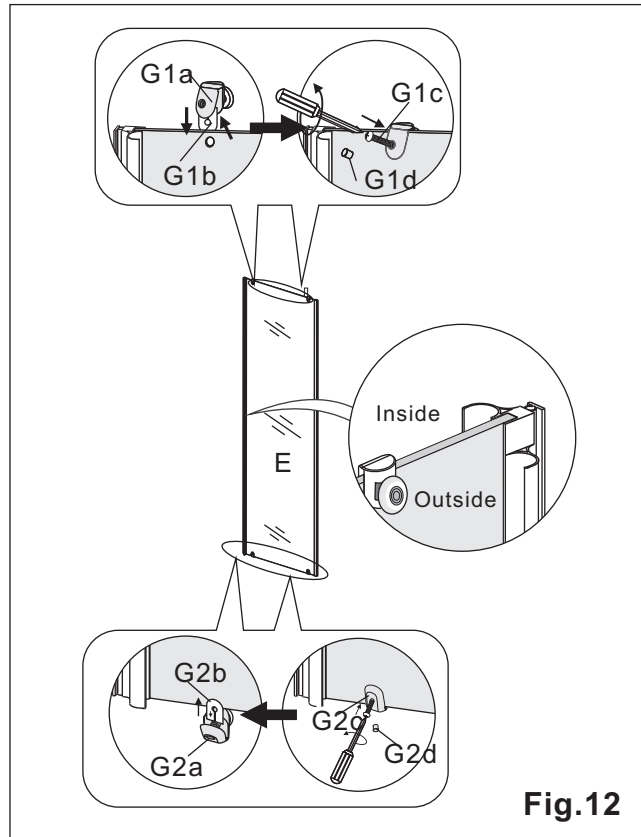


Fig.12

13a. Tilt the bottom of the door (E) into the door, and locate the top rollers (G1) in the channel in the top track frame (B1).

13b. Push down on the bottom rollers and locate them into the channel in the bottom track frame (B2). See **Fig 13-1**.

Note: Ensure that the trailing edge door seal is overlapping with the fixed panel seal before engaging the bottom rollers in the track.

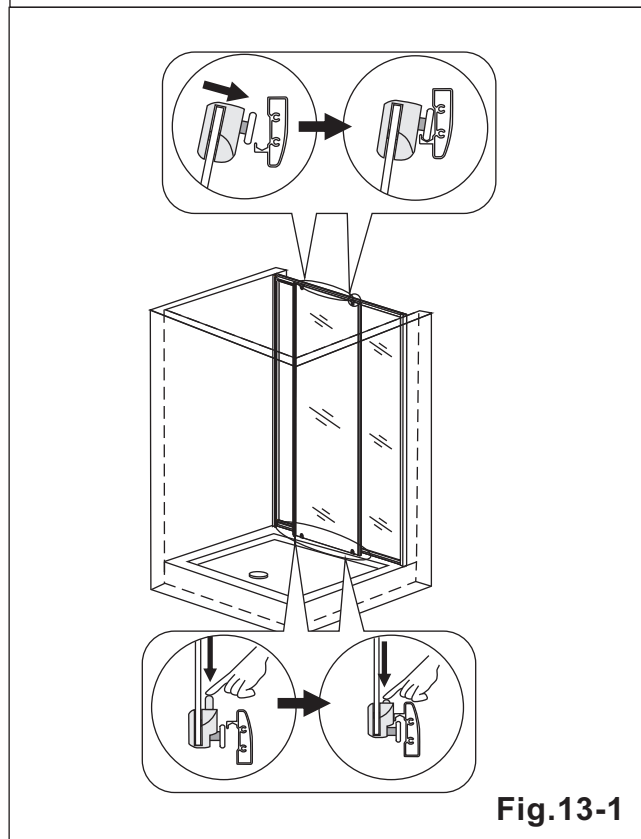


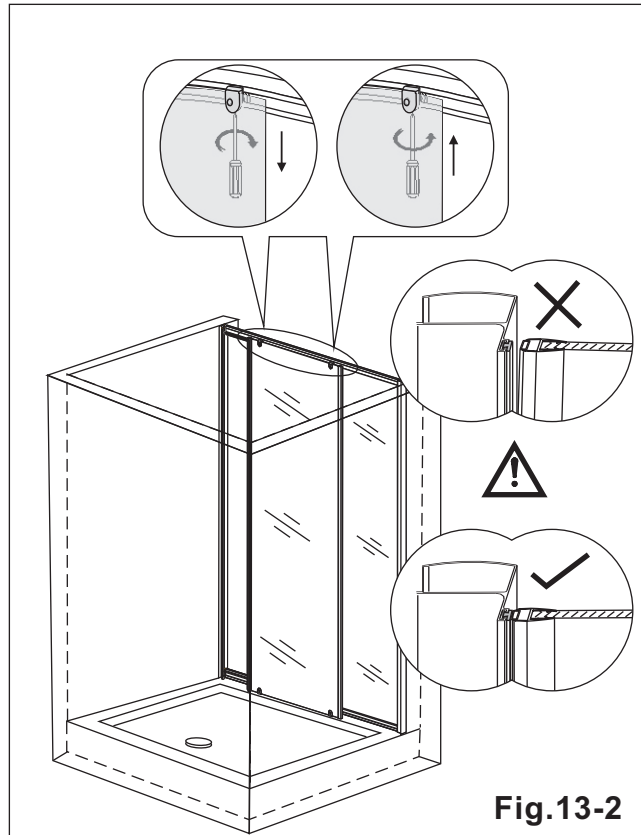
Fig.13-1



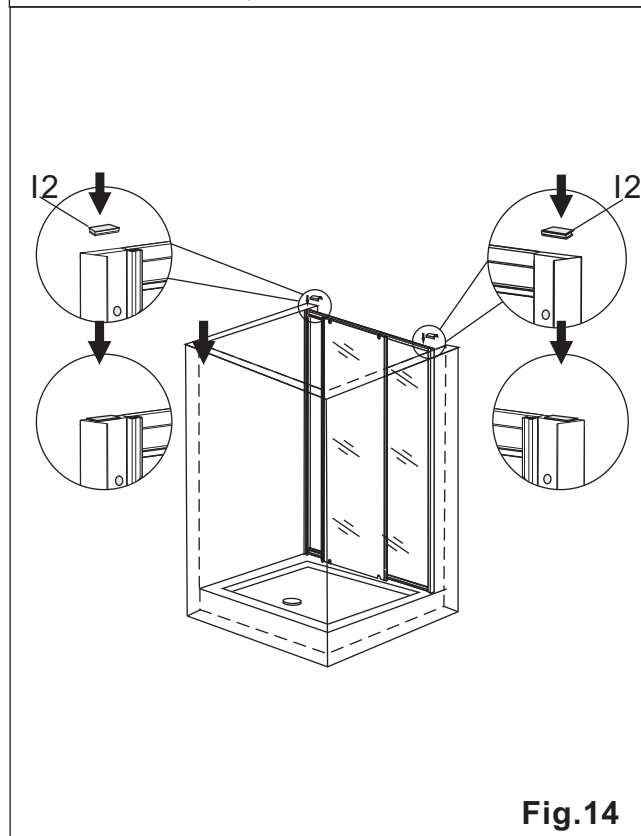
Assembly Instructions Sliding Door

13c. To ensure that the movable door (E) is hanging vertically and runs smoothly, adjust the top rollers (G1) by rotating the screw thread at the bottom.

Raise and lower the door on both top rollers as required to minimize the gap between the magnet and the frame and the door runs smoothly. See **Fig.13-2**.



14. Fit the wall profile caps (I2) to the top of the wall profiles (A). See **Fig.14**.





Assembly Instructions Sliding Door

15a. Using a spirit level ensure that the door is vertical, and position it as evenly as possible between the two walls.

15b. Taking care not to move the door, use a 3mm HSS drill to drill holes through the pilot holes on the side profiles of the fixed glass (D) and side profile(C). Ensure that you do not drill too far and mark the outer surface of the profiles.

15c. Secure the profiles using screws ST4x12mm (L) and screw cap washers (H1). Cover with screw caps (H2) as per **Fig.15**.

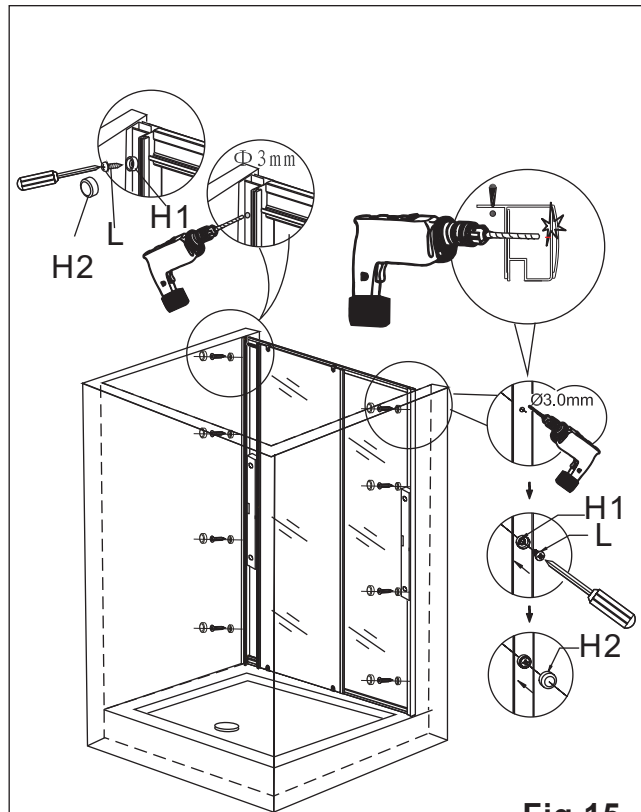


Fig.15

16. Fit the left and right wall profile caps (I1) to the top of both side profiles.

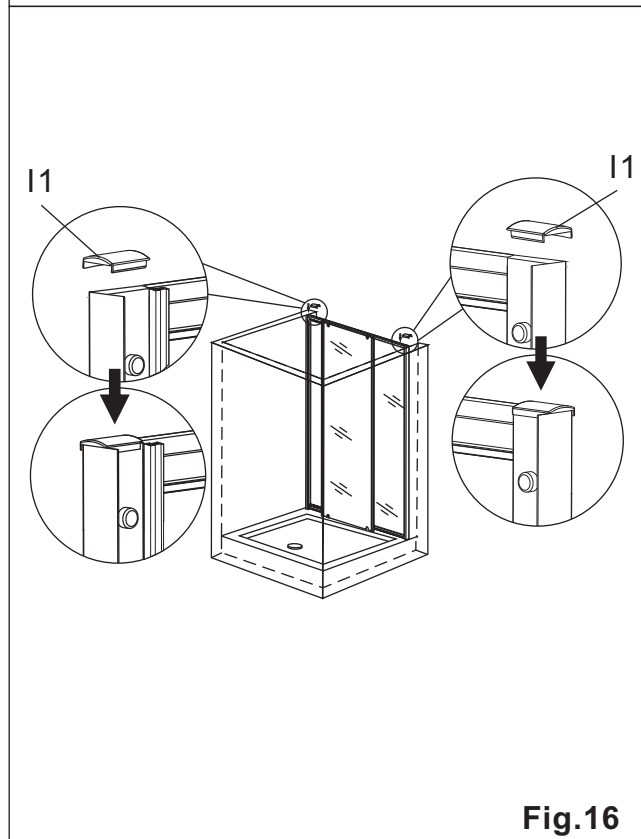


Fig.16



Assembly Instructions Sliding Door

17. Apply silicone sealant to the joints on the outside of the shower door only, as indicated by the thick line in **Fig.17**.

Note: If the silicone is applied to the inside of the shower door as well, it can cause the water to remain trapped and build up, eventually causing leaks.

Note: Do not use the shower door for at least 24 hours in order to allow the silicone sealant to cure fully.



Care & Use

- Soapy water is adequate to keep the glass clean, although glass cleaner can be used if required. Scourers, abrasives and chemical cleaners can damage the glass and pattern, and should not be used.
- In hard water areas, insoluble lime salts may be deposited on the glass. If this is allowed to build up it becomes increasingly difficult to remove and looks unsightly. Regular cleaning will minimize this effect.