

Robert Bosch GmbH
Power Tools Division
70745 Leinfelden-Echterdingen
Germany

www.bosch-pt.com

1 619 929 L56 (2012.12) T / 158 UNI



1 619 929 L56

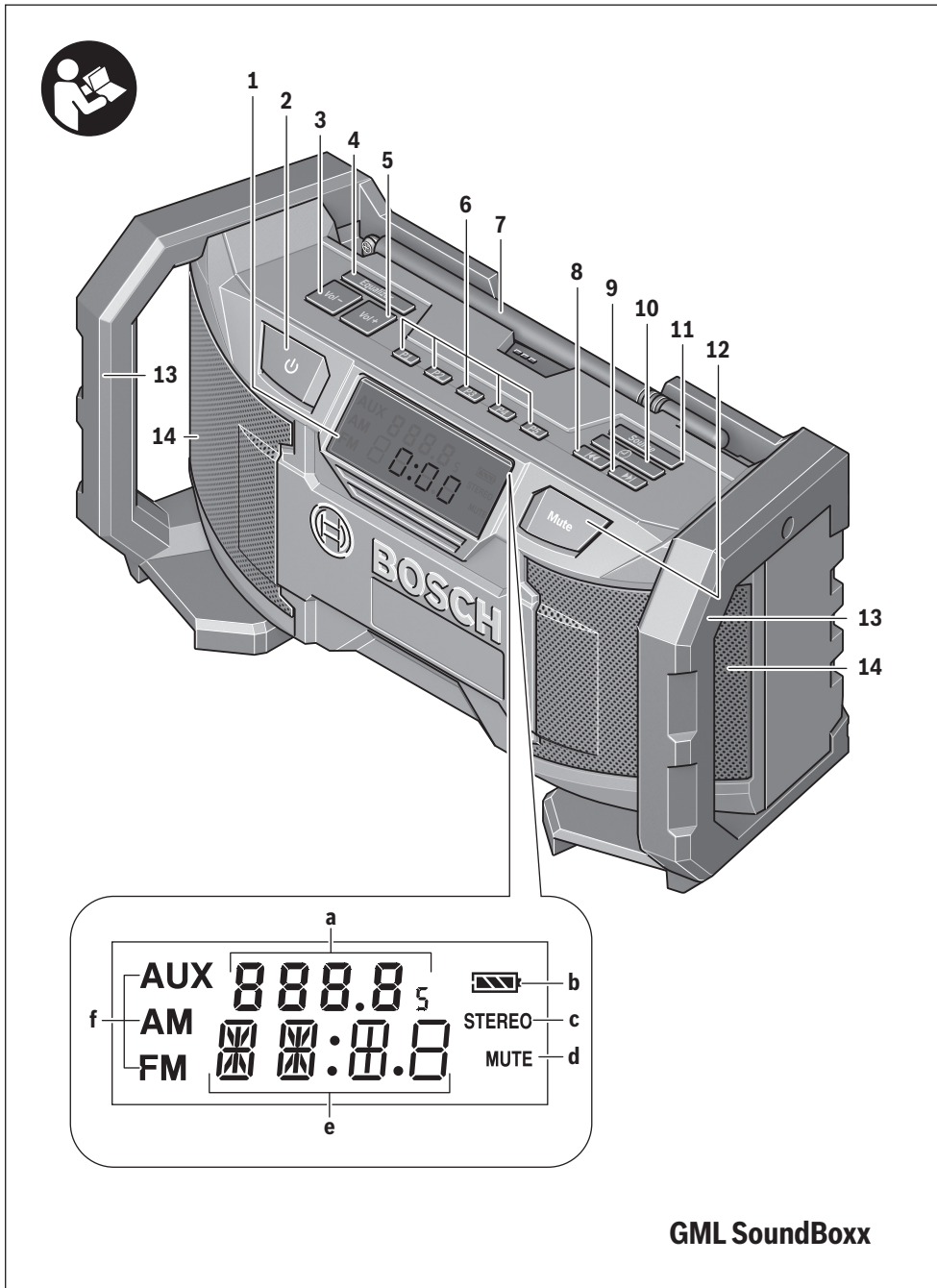
GML SoundBoxx Professional

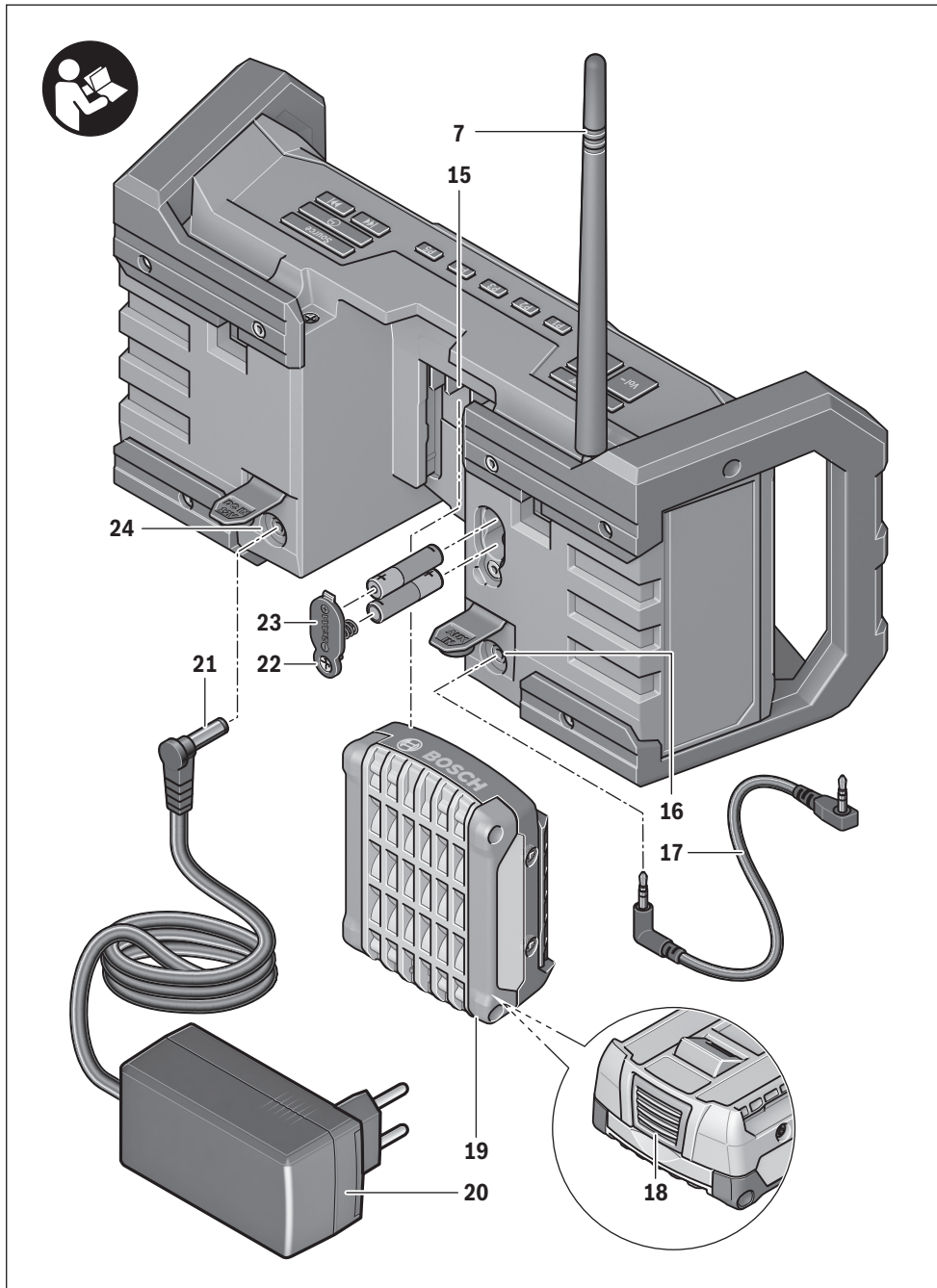
14,4 V | 18 V

 **BOSCH**

de Originalbetriebsanleitung	el Πρωτότυπο οδηγίων χρήσης	sr Originalno uputstvo za rad
en Original instructions	tr Orijinal işletme talimatı	sl Izvirna navodila
fr Notice originale	pl Instrukcja oryginalna	hr Originalne upute za rad
es Manual original	cs Původní návod k používání	et Algupärane kasutusjuhend
pt Manual original	sk Pôvodný návod na použitie	lv Instrukcijas oriģinālvalodā
it Istruzioni originali	hu Eredeti használati utasítás	lt Originali instrukcija
nl Oorspronkelijke gebruiksaanwijzing	ru Оригинальное руководство по эксплуатации	ar تعليمات التشغيل الأصلية
da Original brugsanvisning	uk Оригінальна інструкція з експлуатації	fa دفترچه راهنمای اصلی
sv Bruksanvisning i original	ro Instrucțiuni originale	
no Original driftsinstruks	bg Оригинална инструкция	
fi Alkuperäiset ohjeet		







10 | English

Nur für EU-Länder:



Gemäß der europäischen Richtlinie 2002/96/EG müssen nicht mehr gebrauchsfähige Elektrogeräte und gemäß der europäischen Richtlinie 2006/66/EG müssen defekte oder verbrauchte Akkus/Batterien getrennt gesammelt und einer umweltgerechten Wiederverwendung zugeführt werden.

Nicht mehr gebrauchsfähige Akkus/Batterien können direkt abgegeben werden bei:

Deutschland

Recyclingzentrum Elektrowerkzeuge
Osteroder Landstraße 3
37589 Kalefeld

Schweiz

Batrec AG
3752 Wimmis BE

Akkus/Batterien:**Li-Ion:**

Bitte beachten Sie die Hinweise im Abschnitt „Transport“, Seite 9.

Änderungen vorbehalten.

English

Safety Notes

⚠ WARNING Read all safety warnings and all instructions, including the information on the side surface of the construction site radio. Failure to follow the warnings and instructions may result in electric shock, fire and/or serious injury.

Save all safety warnings and instructions for future reference.

The term construction site radio used in the safety notes, refers to mains-powered construction site radios (with power-supply plug) and to battery-operated construction site radios (without power-supply plug).

- ▶ **Keep work area clean and well lit.** Cluttered or dark areas invite accidents.
- ▶ **The mains plug of the power-supply plug must match the socket outlet. Never modify the plug in any way. Do not use adapter plugs together with construction site radios.** Unmodified plugs and matching outlets will reduce the risk of electric shock.
- ▶ **Do not misuse the cord of the power-supply plug to carry the construction site radio charger, hang it up, or for pulling the plug out of the outlet. Keep the cord away from heat, oil, sharp edges or moving parts.** Damaged or entangled cords increase the risk of electric shock.

- ▶ **Completely unwind the connection cable of the power-supply plug when operating the construction site radio via mains supply.** Otherwise the connection cable can heat up.

- ▶ **Take care that the mains plug can be pulled at any time.** The mains plug is the only possibility to disconnect the construction site radio from the mains supply.



Protect the construction site radio from rain and moisture. The penetration of water into the construction site radio increases the risk of electric shock.

- ▶ **Keep the construction site radio and the power-supply plug clean.** Contamination may result in danger of electric shock.

- ▶ **Check the construction site radio, power-supply plug, cable and plug each time before using. If damage is detected, do not use the construction site radio. Never open the construction site radio or the power-supply plug yourself, and have repairs carried out only by a qualified repair person using only identical replacement parts.** Damaged construction site radios, power-supply plugs, cables and plugs increase the risk of electric shock.

- ▶ **This construction site radio can be used by children aged from 8 years and above and persons with reduced physical, sensory or mental capabilities or lack of experience and knowledge if they have been given supervision or instruction concerning use of the construction site radio in a safe way and understand the hazards involved.** Otherwise, there is danger of operating errors and injuries.

- ▶ **Supervise children.** This will ensure that children do not play with the construction site radio.

- ▶ **Cleaning and user maintenance of the construction site radio shall not be made by children without supervision.**

- ▶ **Do not open the battery.** Danger of short-circuiting.



Protect the battery against heat, e. g., against continuous intense sunlight, fire, water, and moisture. Danger of explosion.

- ▶ **When battery pack is not in use, keep it away from other metal objects like paper clips, coins, keys, nails, screws, or other small metal objects that can make a connection from one terminal to another.** Shorting the battery terminals together may cause burns or a fire.

- ▶ **Under abusive conditions, liquid may be ejected from the battery; avoid contact. If contact accidentally occurs, flush with water. If liquid contacts eyes, additionally seek medical help.** Liquid ejected from the battery may cause irritations or burns.

- ▶ **In case of damage and improper use of the battery, vapours may be emitted. Ventilate the area and seek medical help in case of complaints.** The vapours can irritate the respiratory system.

- ▶ **Recharge only with the charger specified by the manufacturer.** A charger that is suitable for one type of battery pack may create a risk of fire when used with another battery pack.

- ▶ **Only use the battery in conjunction with your construction site radio and/or a Bosch power tool.** This is the only way to protect the battery against dangerous overload.
- ▶ **Use only original Bosch Professional lithium-ion batteries with a voltage of 14.4 V or 18 V.** When using other batteries, e.g. imitations, reconditioned batteries or other brands, there is danger of injury as well as property damage through exploding batteries.
- ▶ **Read and strictly observe the safety warnings and working instructions in the operating instructions of the tools that you connect to the construction site radio.**

Product Description and Specifications



Read all safety warnings and all instructions. Failure to follow the warnings and instructions may result in electric shock, fire and/or serious injury.

Product Features

The numbering of the product features refers to the illustration of the construction site radio on the graphics page.

- 1 Display
- 2 On/Off button
- 3 **"Vol -"** button for reducing the volume/treble/bass setting
- 4 **"Equalizer"** button (for manual sound adjustment)
- 5 **"Vol +"** button for increasing the volume/treble/bass setting
- 6 Preset buttons
- 7 Rod antenna
- 8 **⏮** seek button
- 9 **⏭** seek button
- 10 **⌚** button (for setting the time)
- 11 **"Source"** button (for selecting an audio source)
- 12 **"Mute"** button
- 13 Carrying handle
- 14 Speaker
- 15 Battery port
- 16 **"AUX IN"** socket
- 17 AUX cable
- 18 Battery unlocking button
- 19 Battery pack*
- 20 Power-supply plug
- 21 Plug-in connector
- 22 Screw for battery lid
- 23 Battery lid
- 24 12 V connection socket

*Accessories shown or described are not part of the standard delivery scope of the product. A complete overview of accessories can be found in our accessories program.

Display Elements

- a Radio frequency indicator
- b Battery charge-control indicator
- c Stereo indicator
- d Mute indicator
- e Multi-function indicator
- f Audio-source indicator

Technical Data

Construction Site Radio	GML SoundBoxx	
Article number		3 601 D29 9..
Back-up batteries		2 x 1,5 V (LR03/AAA)
Battery	V	14.4/18
Operating temperature	°C	-10...+40
Storage temperature	°C	-20...+70
Weight according to EPTA-Procedure 01/2003	kg	1.6

Audio Operation/Radio

Operating voltage		
– for operation with power-supply plug	V	12
– for battery-pack operation	V	14.4/18
Rated output of amplifier (for operation with power-supply plug)		2 x 5 W
Reception range		
– FM	MHz	87.5 – 108
– AM	kHz	531 – 1602

Power-supply plug

Article number		1 600 A00 0..
Input voltage	V~	100 – 240
Frequency	Hz	50/60
Input current	mA	500
Output voltage	V=	12
Output current	mA	1500
Weight according to EPTA-Procedure 01/2003	kg	0.2
Protection class		□/II

Assembly

Power Supply of the Construction Site Radio

The power supply of the construction site radio can take place via the power-supply plug **20** or via a lithium ion battery **19**.

Operation with Battery Pack

- ▶ **Use only original Bosch Professional lithium-ion batteries with a voltage of 14.4 V or 18 V.** Using other battery packs can lead to injuries and pose a fire hazard.

Note: Use of batteries not suitable for the construction site radio can lead to malfunctions of or cause damage to the construction site radio.

12 | English

Note: The battery pack is supplied partially charged. To ensure full capacity of the battery pack, completely charge the battery pack in the battery charger before using for the first time.

► **Use only the battery chargers listed on the accessories page.** Only these battery chargers are matched to the lithium ion batteries used in your construction site radio.





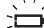
The Lithium-Ion battery can be charged at any time without reducing its service life. Interrupting the charging procedure does not damage the battery.

The battery is equipped with a NTC temperature control which allows charging only within a temperature range of between 0 °C and 45 °C. A long battery service life is achieved in this manner.

Insert a battery into the battery port **15** in such a manner that the connections of the battery face against the connections in the charging compartment **15**, and allow the battery to engage in the battery port.

The battery charge-control indicator **b** appears on the display as soon as a battery pack with sufficient voltage is inserted and the construction site radio is not connected to the mains supply via the power-supply plug **20**.

The battery charge-control indicator **b** indicates the current battery pack status. When the battery charge-control indicator flashes, the battery pack must be charged.

Indication	Capacity
	≥ 2/3
	≥ 1/3
	< 1/3
	Reserve
	Battery pack empty

To remove the battery **19**, press the release button on the battery and pull it out of the battery port **15**.

Operation with Power-supply Plug

► **Observe the mains voltage!** The voltage of the power source for the power-supply plug must correspond with the data on the type plate of the power-supply plug.

Open the protective cap of the 12 V connection socket **24**. Insert the plug-in connector **21** of the 12 V power-supply plug into the 12 V connection socket **24**. Connect the power-supply plug to the mains supply.

► **Use only the original Bosch power-supply plug intended for your construction site radio.** This measure will ensure proper operation of the construction site radio.

After removing the plug-in connector, reattach the protective cap of the 12 V connection socket **24** to protect against dirt/debris.

Inserting/Replacing the Back-up Battery

In order to store the time in the construction site radio, back-up batteries have to be inserted. Using alkali-manganese batteries is recommended for this purpose.

To open the battery compartment, loosen screw **22** and remove battery lid **23**. Insert the back-up batteries. When in-

serting, pay attention to the correct polarity according to the representation on the outside of the battery lid.

Mount the battery lid **23** again and tighten it with screw **22**.

Replace the back-up batteries when the time indication **e** becomes weaker and the construction site radio no longer stores the time.

Always replace all batteries at the same time. Only use batteries from one brand and with the identical capacity.

► **Remove the back-up batteries from the construction site radio when not using it for longer periods.** When storing for longer periods, the back-up batteries can corrode and discharge themselves.

Operation

► **Protect the construction site radio against moisture and direct sunlight.** The construction site radio is suitable only for indoor use.

Audio Operation

Switching On and Off

To **switch on** the construction site radio, press the On/Off button **2**. The display **1** goes on and the last set audio source after switching off the construction site radio is activated.

Note: When operating the first time via battery pack or when not having used the construction site radio for a longer period, it may be necessary to press the On/Off button **2** several times or longer, to switch the radio on.

Each time after pressing a button, the display **1** is illuminated for several seconds.

To **switch off** the construction site radio, press the On/Off button **2** again. The current audio source setting is stored.

When not using the construction site radio, switch it off in order to save energy.

Adjusting the Volume

After switching on the construction site radio, a mean volume level (value 10) is always set.

To increase the volume, press the “Vol +” button **5**; to reduce the volume, press the “Vol -” button **3**. The volume setting “VL” is indicated with a value between 0 and 20 for a few seconds in indicator **e** on the display.

Before adjusting or changing a radio station, set the volume to a lower setting; before starting an external audio source, set the volume to medium.

The sound can be switched off by pressing the “Mute” button **12**. To switch the sound on again, either press the “Mute” button **12** once more or either of the “Vol +” **5** or “Vol -” buttons **3**.

Adjusting the Sound

An equalizer is integrated in the construction site radio for optimal sound reproduction.

To manually change the bass level, press the “Equalizer” button **4** once. “BA” is indicated on the display along with the stored bass level value in the multi-function indicator **e**. To manually change the treble, press the “Equalizer” button **4** again; “TR” as well as the stored treble value are indicated in the multi-function indicator **e**.

The bass and treble levels can be adjusted between -5 and +5. To increase the indicated value, press the “Vol +” button **5**; to lower the value, press the “Vol -” button **3**. The changed values are automatically stored when indicator **e** changes back to the time indication a few seconds after last pressing either of the buttons.

Selecting an Audio Source

To select an audio source, press the “Source” button **11** until the indicator **f** for the desired internal audio source (see “Setting/Storing Radio Stations”, page 13) or for the desired external audio source (see “Connecting External Audio Sources”, page 13) is indicated on the display:

- “FM”: FM radio,
- “AM”: AM radio,
- “AUX”: external audio source (e.g. CD player) via the 3.5 mm socket **16**.

Setting the Rod Antenna

The construction site radio is provided with a mounted rod antenna **7**. For radio operation, point the rod antenna toward the direction that enables the best reception.

When the reception is insufficient, position the construction site radio at a different location that enables better reception.

Note: When operating the construction site radio in the direct vicinity of radio-communication equipment or radio transceivers, or other electronic equipment, the radio reception can be subject to interference.

Setting/Storing Radio Stations

Press the “Source” button **11** until “FM” is indicated for the ultra-short wave reception range or “AM” for the medium wave reception range in display element **f**.

To **set a certain radio frequency**, press the ►► seek button **9** to increase the frequency or the ◄◄ seek button **8** to decrease it. The current frequency is shown in indicator **a** on the display.

To **scan for radio stations with a high signal strength**, press and briefly hold the ►► seek button **9** or the ◄◄ seek button **8**. The frequency of the found radio station is shown in indicator **a** on the display.

When the reception of a suitable signal is sufficiently strong, the construction site radio automatically switches to stereo reception. The indicator for stereo reception **c** appears on the display.

To **store a set station**, press one of the preset buttons **6** for 3 seconds. As soon as “PR” and the number of the selected preset button appears in display element **e**, the station is stored.

A total of 5 FM and 5 AM stations can be preset. Please note that an already occupied preset is overwritten when a new radio station is assigned to it.

To **start the playback of a stored station**, briefly press the respective preset button **6**. “PR” as well as the preset number of the station are indicated in display element **e** for a few seconds.

Connecting External Audio Sources

Apart from the integrated radio, various external audio sources can be played.

Remove the protective cap of the “AUX IN” socket **16**. Insert the angled 3.5 mm plug of the AUX cable **17** into the socket (see illustration on the graphics page). Connect the second plug of the AUX cable to an appropriate audio source.

For playback of the connected audio source, press the “Source” button **11** until “AUX” appears in indicator **f** on the display.

After removing the plug of the AUX cable, reattach the protective cap of the “AUX IN” socket **16** again to protect against dirt/debris.

Time Indication

The construction site radio is equipped with a time indication with separate power supply. When back-up batteries with sufficient capacity are inserted in the back-up battery compartment (see “Inserting/Replacing the Back-up Battery”, page 12), the time can be stored even when the construction site radio is disconnected from the A/C power supply or the battery.

Setting the Time

- To set the time, press the ⊖ button **10** until the hours indication flashes in display element **e**.
- Press the ►► seek button **9** or the ◄◄ seek button **8** until the correct hour setting is indicated.
- Press the ⊖ button **10** again, so that the minutes indication flashes in display element **e**.
- Press the ►► seek button **9** or the ◄◄ seek button **8** until the correct minute setting is indicated.
- Press the ⊖ button **10** a third time to store the time setting.

Working Advice

Recommendations for Optimal Handling of the Battery

Protect the battery against moisture and water.

Store the battery only within a temperature range between 0 °C and 50 °C. As an example, do not leave the battery in the car in summer.

A battery that is new or has not been used for a longer period does not develop its full capacity until after approx. 5 charging/discharging cycles.

A significantly reduced working period after charging indicates that the battery is used and must be replaced.

Observe the notes for disposal.

Troubleshooting – Causes and Corrective Measures

Cause	Corrective Measure
Construction site radio inoperative	
No power supply	Completely insert the power-supply plug and plug-in connector or the charged battery pack
Construction site radio too warm or too cold	Wait until the construction site radio has reached operating temperature

14 | English

Cause **Corrective Measure**
Construction site radio inoperative on A/C power supply

Power-supply plug or connection cable defective	Check the power-supply plug and the connection cable, and have them replaced as required
---	--

Wrong power-supply plug inserted	Use the original Bosch power-supply plug (also available as spare part)
----------------------------------	---

Construction site radio inoperative on DC power supply

Battery contacts contaminated	Clean the battery contacts (e.g. by inserting and removing the battery several times) or replace the battery
-------------------------------	--

Battery pack defective	Replace the battery
------------------------	---------------------

Battery pack too warm or too cold	Wait until of the battery has reached operating temperature
-----------------------------------	---

Construction site radio suddenly inoperative

Power-supply plug or battery pack not properly or completely inserted	Plug in power-supply plug or battery properly and completely
---	--

Bad radio reception

Interference from other devices or insufficient set-up location	Position the construction site radio at another location with better reception or with greater clearance to other electronic devices or socket outlets.
---	---

Time indication faulty

Back-up batteries of clock empty	Replace back-up batteries
----------------------------------	---------------------------

Back-up batteries incorrectly inserted (wrong polarity)	Insert back-up batteries correctly
---	------------------------------------

When the corrective measures do not eliminate an error, please contact an authorised service agent for Bosch power tools.

Maintenance and Service

Maintenance and Cleaning

For safe and proper working, always keep the construction site radio clean.

Wipe off debris using a moist and soft cloth. Do not use any cleaning agents or solvents.

If the construction site radio should fail despite the care taken in manufacture and testing, repair should be carried out by an authorised customer services agent for Bosch power tools.

In all correspondence and spare parts orders, please always include the 10-digit article number given on the type plate of the construction site radio.

After-sales Service and Application Service

Our after-sales service responds to your questions concerning maintenance and repair of your product as well as spare

parts. Exploded views and information on spare parts can also be found under:

www.bosch-pt.com

Bosch's application service team will gladly answer questions concerning our products and their accessories.

Great Britain

Robert Bosch Ltd. (B.S.C.)
 P.O. Box 98
 Broadwater Park
 North Orbital Road
 Denham
 Uxbridge
 UB 9 5HJ
 Tel. Service: (0844) 7360109
 Fax: (0844) 7360146
 E-Mail: boschservicecentre@bosch.com

Ireland

Origo Ltd.
 Unit 23 Magna Drive
 Magna Business Park
 City West
 Dublin 24
 Tel. Service: (01) 4666700
 Fax: (01) 4666888

Australia, New Zealand and Pacific Islands

Robert Bosch Australia Pty. Ltd.
 Power Tools
 Locked Bag 66
 Clayton South VIC 3169
 Customer Contact Center
 Inside Australia:
 Phone: (01300) 307044
 Fax: (01300) 307045
 Inside New Zealand:
 Phone: (0800) 543353
 Fax: (0800) 428570
 Outside AU and NZ:
 Phone: +61 3 95415555
 www.bosch.com.au

Republic of South Africa

Customer service

Hotline: (011) 6519600

Gauteng – BSC Service Centre

35 Roper Street, New Centre
 Johannesburg
 Tel.: (011) 4939375
 Fax: (011) 4930126
 E-Mail: bsctools@icon.co.za

KZN – BSC Service Centre

Unit E, Almar Centre
 143 Crompton Street
 Pinetown
 Tel.: (031) 7012120
 Fax: (031) 7012446
 E-Mail: bsc.dur@za.bosch.com

Western Cape – BSC Service Centre

Democracy Way, Prosperity Park
 Milnerton
 Tel.: (021) 5512577
 Fax: (021) 5513223
 E-Mail: bsc@zsd.co.za

Bosch Headquarters

Midrand, Gauteng
 Tel.: (011) 6519600
 Fax: (011) 6519880
 E-Mail: rbsa-hq.pts@za.bosch.com

People's Republic of China**China Mainland**

Bosch Power Tools (China) Co., Ltd.
 567, Bin Kang Road
 Bin Jiang District 310052
 Hangzhou, P. R. China
 Service Hotline: 4008268484
 Fax: (0571) 87774502
 E-Mail: contact.ptcn@cn.bosch.com
 www.bosch-pt.com.cn

HK and Macau Special Administrative Regions

Robert Bosch Hong Kong Co. Ltd.
 21st Floor, 625 King's Road
 North Point, Hong Kong
 Customer Service Hotline: +852 2101 0235
 Fax: +852 2590 9762
 E-Mail: info@hk.bosch.com
 www.bosch-pt.com.hk

Indonesia

PT. Multi Mayaka
 Kawasan Industri Pulogadung
 Jalan Rawa Gelam III No. 2
 Jakarta 13930
 Indonesia
 Tel.: (021) 46832522
 Fax: (021) 46828645/6823
 E-Mail: sales@multimayaka.co.id
 www.bosch-pt.co.id

Philippines

Robert Bosch, Inc.
 28th Floor Fort Legend Towers,
 3rd Avenue corner 31st Street,
 Fort Bonifacio Global City,
 1634 Taguig City, Philippines
 Tel.: (02) 8703871
 Fax: (02) 8703870
 matheus.contiero@ph.bosch.com
 www.bosch-pt.com.ph
 Bosch Service Center:
 9725-27 Kamagong Street
 San Antonio Village
 Makati City, Philippines
 Tel.: (02) 8999091
 Fax: (02) 8976432
 rosalie.dagdagan@ph.bosch.com

Malaysia

Robert Bosch (S.E.A.) Sdn. Bhd.
 No. 8A, Jalan 13/6
 G.P.O. Box 10818
 46200 Petaling Jaya
 Selangor, Malaysia
 Tel.: (03) 79663194
 Fax: (03) 79583838
 cheehoe.on@my.bosch.com
 Toll-Free: 1800 880188
 www.bosch-pt.com.my

Thailand

Robert Bosch Ltd.
 Liberty Square Building
 No. 287, 11 Floor
 Silom Road, Bangrak
 Bangkok 10500
 Tel.: 02 6311879 – 1888 (10 lines)
 Fax: 02 2384783
 Robert Bosch Ltd., P. O. Box 2054
 Bangkok 10501, Thailand

Bosch Service – Training Centre
 2869-2869/1 Soi Ban Kluyay
 Rama IV Road (near old Paknam Railway)
 Prakanong District
 10110 Bangkok
 Thailand
 Tel.: 02 6717800 – 4
 Fax: 02 2494296
 Fax: 02 2495299

Singapore

Robert Bosch (SEA) Pte. Ltd.
 11 Bishan Street 21
 Singapore 573943
 Tel.: 6571 2772
 Fax: 6350 5315
 leongheng.leow@sg.bosch.com
 Toll-Free: 1800 3338333
 www.bosch-pt.com.sg

Vietnam

Robert Bosch Vietnam Co. Ltd
 10/F, 194 Golden Building
 473 Dien Bien Phu Street
 Ward 25, Binh Thanh District
 84 Ho Chi Minh City
 Vietnam
 Tel.: (08) 6258 3690 ext. 413
 Fax: (08) 6258 3692
 hieu.lagia@vn.bosch.com
 www.bosch-pt.com

Transport

The contained lithium-ion batteries are subject to the Dangerous Goods Legislation requirements. The user can transport the batteries by road without further requirements. When being transported by third parties (e.g.: air transport or forwarding agency), special requirements on packaging and

16 | Français

labelling must be observed. For preparation of the item being shipped, consulting an expert for hazardous material is required.

Dispatch batteries only when the housing is undamaged. Tape or mask off open contacts and pack up the battery in such a manner that it cannot move around in the packaging. Please also observe possibly more detailed national regulations.

Disposal

Construction site radios, power-supply plugs, battery packs, accessories and packaging should be sorted for environmental-friendly recycling.

Do not dispose of construction site radios, power-supply plugs and battery pack/batteries into household waste!

Only for EC countries:

According to the European Guideline 2002/96/EC, electrical devices/tools that are no longer usable, and according to the European Guideline 2006/66/EC, defective or used battery packs/batteries, must be collected separately and disposed of in an environmentally correct manner.

Batteries no longer suitable for use can be directly returned at:

Great Britain

Robert Bosch Ltd. (B.S.C.)
P.O. Box 98
Broadwater Park
North Orbital Road
Denham
Uxbridge
UB 9 5HJ
Tel. Service: (0844) 7360109
Fax: (0844) 7360146
E-Mail: boschservicecentre@bosch.com

Battery packs/batteries:**Li-ion:**

Please observe the instructions in section "Transport", page 15.

Subject to change without notice.

Français**Avertissements de sécurité**

AVERTISSEMENT Lire tous les avertissements de sécurité et toutes les instructions, également ceux se trouvant sur le côté de la radio de chantier. Ne pas suivre les avertissements et instructions peut donner lieu à un choc électrique, un incendie et/ou une blessure sérieuse.

Conserver tous les avertissements et toutes les instructions pour pouvoir s'y reporter ultérieurement.

Le terme « radio de chantier » utilisé dans les avertissements de sécurité fait référence à votre radio de chantier alimentée par le secteur (avec bloc d'alimentation) ou à votre radio de chantier fonctionnant sur accumulateur (sans bloc d'alimentation).

- ▶ **Conserver la zone de travail propre et bien éclairée.** Les zones en désordre ou sombres sont propices aux accidents.
- ▶ **La fiche du bloc d'alimentation doit être adaptée au socle. Ne jamais modifier la fiche de quelque façon que ce soit. Ne jamais utiliser d'adaptateurs avec des radios de chantier.** Des fiches d'origine non modifiées et des prises électriques adaptées réduisent le risque de choc électrique.
- ▶ **Veiller à ne pas endommager le cordon du bloc d'alimentation. Ne jamais utiliser le cordon pour porter, accrocher ou débrancher la radio de chantier. Eloigner le cordon de toute source de chaleur, d'huile, d'arêtes vives ou de parties en mouvement.** Les cordons endommagés ou emmêlés augmentent le risque d'électrocution.
- ▶ **Dérouler entièrement le câble de raccordement du bloc d'alimentation avant de brancher la radio de chantier sur le secteur.** Le câble de raccordement risque de chauffer.
- ▶ **Veiller à ce que la fiche du secteur puisse être débranchée à tout moment.** La fiche de secteur est la seule possibilité de débrancher la radio de chantier du réseau électrique.

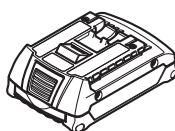
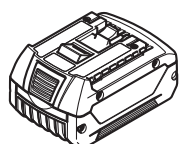


Ne pas exposer la radio de chantier et le bloc d'alimentation à la pluie ou à l'humidité. La pénétration d'eau à l'intérieur d'une radio de chantier ou d'un bloc d'alimentation augmente le risque de choc électrique.

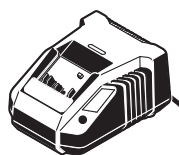
- ▶ **Maintenir la radio de chantier et le bloc d'alimentation propres.** Un encrassement augmente le risque d'un choc électrique.
- ▶ **Avant toute utilisation, contrôler la radio de chantier, le bloc d'alimentation, le câble et la fiche. Ne pas utiliser la radio de chantier si des défauts sont constatés. Ne pas ouvrir la radio de chantier et le bloc d'alimentation soi-même et ne la faire réparer que par une personne qualifiée et seulement avec des pièces de rechange d'origine.** Des radios de chantier, blocs d'alimentation, câbles et fiches endommagés augmentent le risque d'un choc électrique.
- ▶ **Cette radio de chantier peut être utilisée par des enfants à partir de l'âge de 8 ans ainsi que par des personnes souffrant d'un handicap physique, sensoriel ou mental ou par des personnes n'ayant pas l'expérience et/ou les connaissances nécessaires, sous condition qu'elles soient surveillées ou qu'elles aient été instruites quant au maniement de la radio de chantier et qu'elles aient compris les dangers éventuels.** Sinon, il y a risque de mauvaise utilisation et de blessures.



14,4 V (Li-Ion)



18 V (Li-Ion)



**AL 1820 CV
(14,4 V/18 V)**
2 607 225 424 (EU)
2 607 225 426 (UK)



**AL 1860 CV
(14,4 V/18 V)**
2 607 225 322 (EU)
2 607 225 324 (UK)