

Robert Bosch GmbH
Power Tools Division
70745 Leinfelden-Echterdingen
Germany

www.bosch-pt.com

1 609 92A 01U (2012.12) T / 213 UNI



1 609 92A 01U

GML 20 Professional

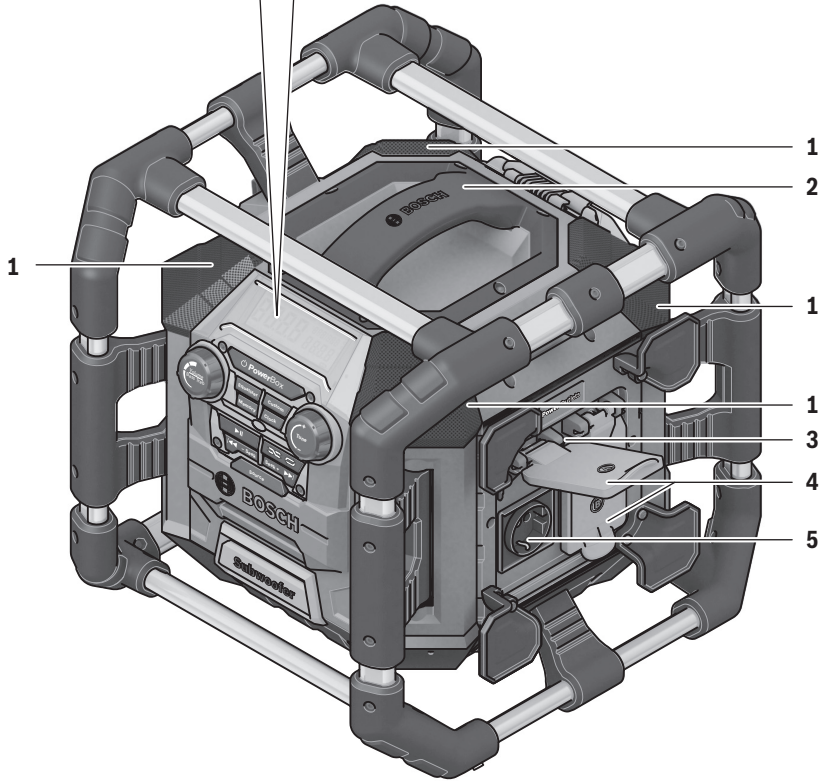
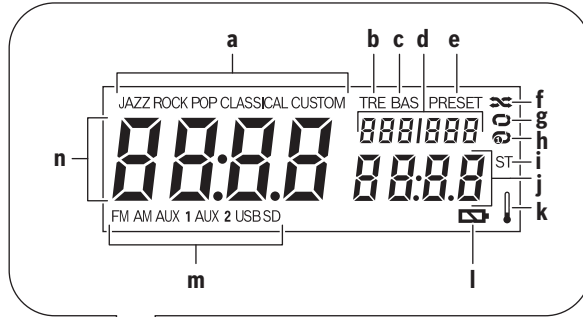
 **BOSCH**

de Originalbetriebsanleitung
en Original instructions
fr Notice originale
es Manual original
pt Manual original
it Istruzioni originali
nl Oorspronkelijke gebruikers-
aanwijzing
da Original brugsanvisning
sv Bruksanvisning i original
no Original driftsinstruks
fi Alkuperäiset ohjeet

el Πρωτότυπο οδηγιών χρήσης
tr Orijinal işletme talimatı
pl Instrukcja oryginalna
cs Původní návod k používání
sk Pôvodný návod na použitie
hu Eredeti használati utasítás
ru Оригинальное руководство
по эксплуатации
uk Оригінальна інструкція з
експлуатації
ro Instrucțiuni originale
bg Оригинална инструкция

sr Originalno uputstvo za rad
sl Izvirna navodila
hr Originalne upute za rad
et Algupärane kasutusjuhend
lv Instrukcijas oriģinālvalodā
lt Originali instrukcija
ar تعليمات التشغيل الأصلية
fa دفترچه راهنمای اصلی

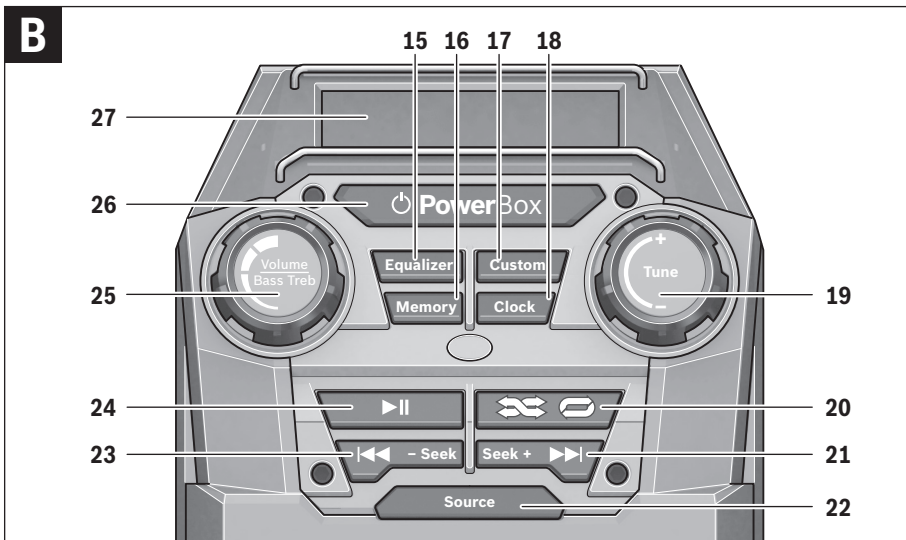
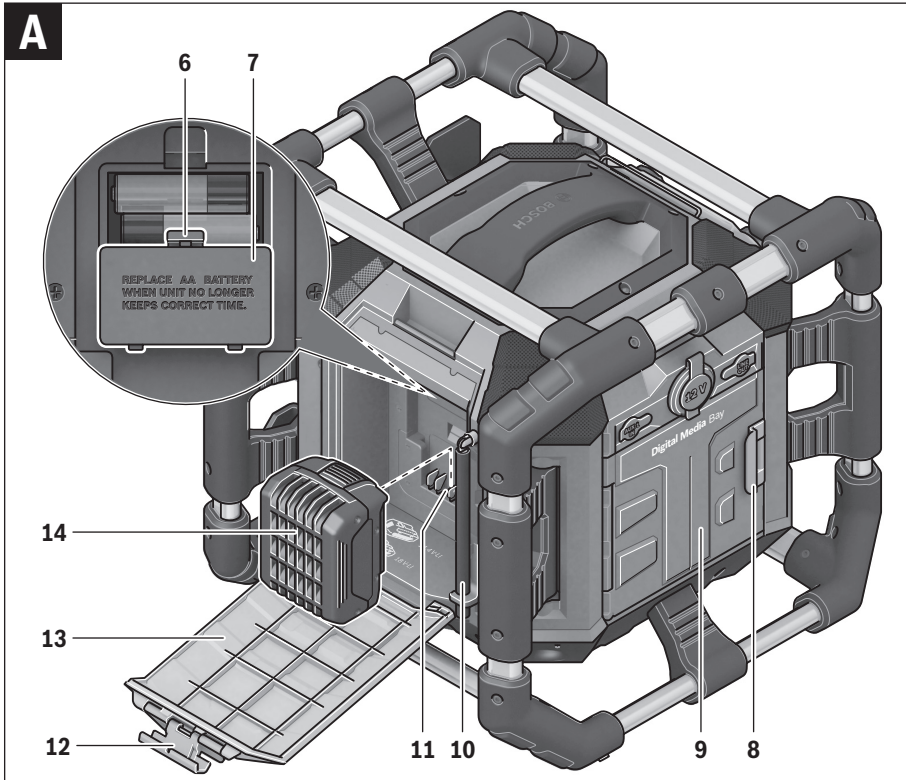


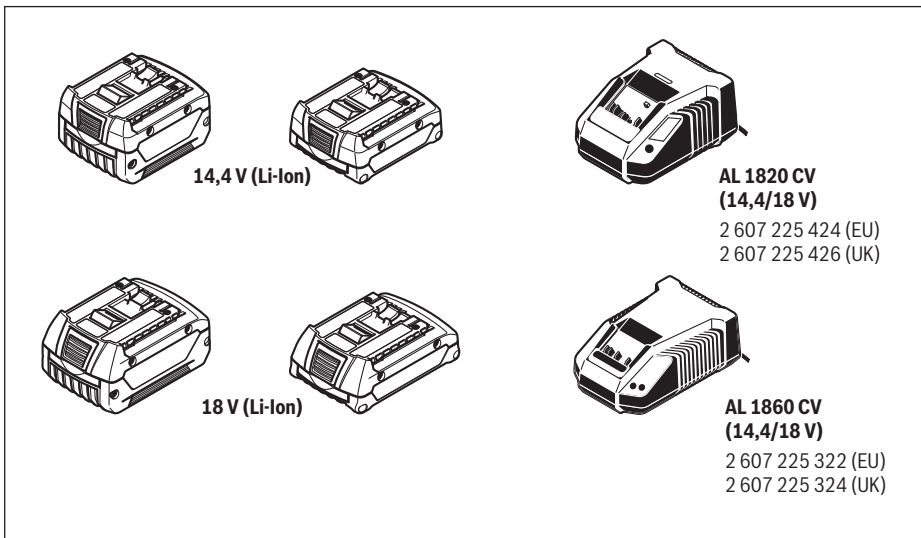
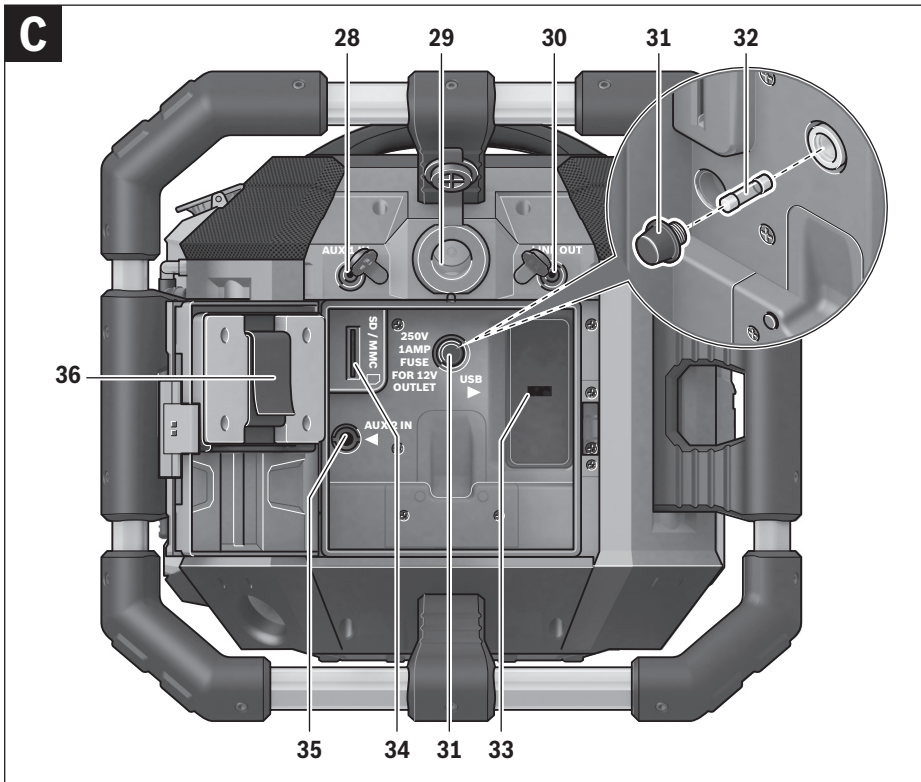


GML 20



4 |





English

Safety Notes

⚠ WARNING Read all safety warnings and all instructions, including the information on the bottom side of the construction site radio. Failure to follow the warnings and instructions may result in electric shock, fire and/or serious injury.

Save all safety warnings and instructions for future reference.

The term "construction site radio" used in the safety notes, refers to mains-powered construction site radios (with mains cable) and to battery-operated construction site radios (without mains cable).

- ▶ **Keep work area clean and well lit.** Cluttered or dark areas invite accidents.
- ▶ **The plug of the construction site radio must match the outlet. Never modify the plug in any way. Do not use any adapter plugs with earthed (grounded) construction site radios.** Unmodified plugs and matching outlets will reduce the risk of electric shock.
- ▶ **Do not misuse the cord to carry the construction site radio, hang it up, or for pulling the plug out of the outlet. Keep the cord away from heat, oil, sharp edges or moving parts.** Damaged or entangled cords increase the risk of electric shock.
- ▶ **Completely unwind the mains cable when operating the construction site radio via mains supply.** Otherwise the mains cable can heat up.
- ▶ **Take care that the mains plug can be pulled at any time.** The mains plug is the only possibility to disconnect the construction site radio from the mains supply.
- ▶ **When operating the construction site radio outdoors, only use extension cords suitable for outdoor use.** Use of a cord suitable for outdoor use reduces the risk of electric shock.
- ▶ **When operating the construction site radio in damp environments is unavoidable, use a residual current device (RCD).** The use of a residual current device (RCD) reduces the risk of electric shock.
- ▶ **Connect the construction site radio to a mains supply that is properly connected to earth.** Socket and extension cord must have an operative protective conductor.
- ▶ **Do not expose the construction site radio to rain or wet conditions.** Water entering a construction site radio will increase the risk of electric shock.
- ▶ **Keep the construction site radio clean.** Contamination may result in danger of electric shock.
- ▶ **Check the construction site radio, cord and plug each time before using. Do not use the construction site radio when defects are detected. Do not open the construction site radio yourself and have it repaired only by qualified personnel using original spare parts.** Damaged construction site radios, cords and plugs increase the risk of electric shock.

▶ **This construction site radio can be used by children aged from 8 years and above and persons with reduced physical, sensory or mental capabilities or lack of experience and knowledge if they have been given supervision or instruction concerning use of the construction site radio in a safe way and understand the hazards involved.** Otherwise, there is danger of operating errors and injuries.

▶ **Supervise children.** This will ensure that children do not play with the construction site radio.

▶ **Cleaning and user maintenance of the construction site radio shall not be made by children without supervision.**

▶ **Do not open the battery.** Danger of short-circuiting.



Protect the battery against heat, e. g., against continuous intense sunlight, fire, water, and moisture. Danger of explosion.

▶ **When battery pack is not in use, keep it away from other metal objects like paper clips, coins, keys, nails, screws, or other small metal objects that can make a connection from one terminal to another.** Shorting the battery terminals together may cause burns or a fire.

▶ **Under abusive conditions, liquid may be ejected from the battery; avoid contact. If contact accidentally occurs, flush with water. If liquid contacts eyes, additionally seek medical help.** Liquid ejected from the battery may cause irritations or burns.

▶ **In case of damage and improper use of the battery, vapours may be emitted. Ventilate the area and seek medical help in case of complaints.** The vapours can irritate the respiratory system.

▶ **Recharge only with the charger specified by the manufacturer.** A charger that is suitable for one type of battery pack may create a risk of fire when used with another battery pack.

▶ **Only use the battery in conjunction with your construction site radio and/or a Bosch power tool.** This is the only way to protect the battery against dangerous overload.

▶ **Use only original Bosch Professional 14.4 V and 18 V lithium ion batteries.** When using other batteries, e. g. imitations, reconditioned batteries or other brands, there is danger of injury as well as property damage through exploding batteries.

▶ **Read and strictly observe the safety warnings and working instructions in the operating instructions of the tools that you connect to the construction site radio.**

Products sold in **GB only:** Your product is fitted with a BS 1363/A approved electric plug with internal fuse (ASTA approved to BS 1362).

If the plug is not suitable for your socket outlets, it should be cut off and an appropriate plug fitted in its place by an authorised customer service agent. The replacement plug should have the same fuse rating as the original plug.

The severed plug must be disposed of to avoid a possible shock hazard and should never be inserted into a mains socket elsewhere.

14 | English

Product Description and Specifications



Read all safety warnings and all instructions. Failure to follow the warnings and instructions may result in electric shock, fire and/or serious injury.

While reading the operating instructions, unfold the fold-out page with the illustration of the construction site radio and leave it open.

Product Features

The numbering of the product features refers to the illustration of the construction site radio on the graphics page.

- 1 Speaker
- 2 Carrying handle
- 3 Control lamp for A/C supply (not for article number 3 601 D29 760)
- 4 A/C outlet cover (not for article number 3 601 D29 760)
- 5 A/C socket outlet (not for article number 3 601 D29 760)
- 6 Latch of back-up battery lid
- 7 Back-up battery lid
- 8 Locking latch of digital media bay flap
- 9 Digital media bay flap
- 10 Rod antenna
- 11 Battery port
- 12 Locking latch of battery lid
- 13 Battery lid
- 14 Battery pack*
- 15 **"Equalizer"** button
- 16 **"Memory"** button
- 17 **"Custom"** button (for manual sound adjustment)
- 18 **"Clock"** button (for setting the time)
- 19 **"Tune"** adjustment knob (for tuning of stations)
- 20 Button for random playback/repeat
- 21 **"Seek + / > > |"** button
- 22 **"Source"** button (for selecting an audio source)
- 23 **"| < < / - Seek"** button
- 24 Play/pause button
- 25 Adjustment knob for volume level (**"Volume"**) and sound (**"Bass/Treb"**)
- 26 On/Off button for audio operation
- 27 Display
- 28 **"AUX 1 IN"** socket
- 29 12 V connection socket
- 30 **"LINE OUT"** socket
- 31 Fuse cap
- 32 Fuse for 12 V connection
- 33 USB port
- 34 SD/MMC slot

35 **"AUX 2 IN"** socket

36 Holder for external audio sources

***Accessories shown or described are not part of the standard delivery scope of the product. A complete overview of accessories can be found in our accessories program.**

Display elements for audio operation

- a Equalizer (sound-pre-set) indicator
- b Changing treble – indicator
- c Changing bass – indicator
- d Indicator for volume, memory location for radio station and title (depends on the selected audio source)
- e Station-memory reception indicator (for radio operation)
- f Random playback indicator (for SD/MMC card or USB audio source)
- g Repeat-current-track indicator for all tracks in the current folder/directory (for SD/MMC card or USB audio source)
- h Repeat-current-track indicator (for SD/MMC card or USB audio source)
- i Stereo indicator
- j Indicator of radio frequency/Play duration of current track (depends on the selected audio source)
- k Temperature warning
- l Battery inserted indicator
- m Audio-source indicator
- n Time indication display

Technical Data

Construction Site Radio		GML 20
Article number		3 601 D29 7..
Back-up batteries		2 x 1.5 V (LR06/AA)
Battery	V	14.4/18
Operating temperature	°C	0...45
Storage temperature	°C	-20...+70
Weight according to EPTA-Procedure 01/2003	kg	10.2
Protection class		⊕/I
Degree of protection		IP 54 (dust and splash water protected)
Audio Operation/Radio		
Operating voltage		
– for mains operation	V	230/110
– for battery operation	V	14.4/18
Rated output of amplifier (for mains operation)	W	20
Reception range		
– FM	MHz	87.5 – 108
– AM	kHz	531 – 1602
Supported file formats ¹⁾		MP3, WMA
1) (for SD/MMC card or USB audio source)		

Assembly

Power Supply of the Construction Site Radio

The power supply of the construction site radio can take place via the mains supply or via a lithium ion battery inserted in the battery port **11**. When the battery is used for power supply, only the functions audio operation and power supply of external devices via the integrated USB connection, are available.

- **Observe the mains voltage!** For power supply via mains, the voltage of the power source must correspond with the data on the type plate of the construction site radio. Construction site radios marked with 230 V can also be operated with 220 V.

Battery Insertion/Removal (see figure A)

- **Use only original Bosch Professional 14.4 V and 18 V lithium ion batteries.** Using other batteries can lead to injuries and pose a fire hazard.

Note: Use of batteries not suitable for the construction site radio can lead to malfunctions of or cause damage to the construction site radio.

Disengage locking latch **12** of the battery lid (“Battery Bay”) and fold out the battery lid **13**.

Insert a battery into the battery port **11** in such a manner that the connections of the battery face against the connections in the charging compartment **11**, and allow the battery to engage in the battery port.

As soon as a battery is inserted, the indication **l** appears on the display. The indicator flashes when the battery is low.

When the battery is too warm or too cold for operation, the temperature warning indicator **k** on the display lights up. Wait until the battery has reached the allowable temperature range before putting the construction site radio into operation.

To remove the battery **14**, press the release button on the battery and pull it out of the battery port **11**.

After inserting or removing the battery, close the battery lid **13**. Lock the battery lid by engaging the locking latch **12** in the housing and then pressing down.

Battery Charging

- **Use only the battery chargers listed on the accessories page.** Only these battery chargers are matched to the lithium ion batteries used in your construction site radio.

Note: The battery is supplied partially charged. To ensure full capacity of the battery, completely charge the battery in the battery charger before using your power tool for the first time.

The Lithium-Ion battery can be charged at any time without reducing its service life. Interrupting the charging procedure does not damage the battery.

The battery is equipped with a NTC temperature control which allows charging only within a temperature range of between 0 °C and 45 °C. A long battery service life is achieved in this manner.

Inserting/Replacing the Back-up Battery (see figure A)

In order to store the time in the construction site radio, back-up batteries have to be inserted. Using alkali-manganese batteries is recommended for this purpose.

Disengage locking latch **12** of the battery lid (“Battery Bay”) and fold out the battery lid **13**.

Remove the battery **14**, if required.

To open the back-up battery lid **7**, press on the latch **6** and remove the back-up battery lid. Insert the back-up batteries.

When inserting, pay attention to the correct polarity according to the representation on the inside of the back-up battery compartment.

Mount the back-up battery lid **7** again.

“REPLACE AA BATTERY WHEN UNIT NO LONGER KEEPS CORRECT TIME”: Replace the back-up batteries when the construction site radio no longer stores the time.

Always replace all batteries at the same time. Only use batteries from one brand and with the identical capacity.

- **Remove the back-up batteries from the construction site radio when not using it for longer periods.** When storing for longer periods, the back-up batteries can corrode and discharge themselves.

Operation

- **Protect the construction site radio against moisture and direct sunlight.**

Audio Operation (see figures B and C)

Switching Audio Operation On/Off

To **switch on** audio operation (radio and external playback devices), press the On/Off button **26**. The display **27** goes on and the last set audio source after switching off is activated.

When the construction site radio is in the energy saving mode (see “Energy Saving Mode”, Page 18), press the On/Off button **26** twice to switch on audio operation.

To **switch off** audio operation, press the On/Off button **26** again. The current audio source setting is stored.

To save energy, only switch the construction site radio on when using it.

Adjusting the Volume

To increase the volume, turn the “**Volume**” **25** adjustment knob clockwise; to reduce the volume, turn the adjustment knob anticlockwise. The volume setting (value between 0 and 20) appears for a few seconds in indicator **d** on the display.

Before adjusting or changing a radio station, set the volume to a lower setting; before starting an external audio source, set the volume to medium.

Adjusting the Sound

An equalizer is integrated in the construction site radio for optimal sound reproduction.

The treble and bass setting can be manually changed or sound pre-sets for various music styles can be used. The following pre-programmed settings are available: “**JAZZ**”, “**ROCK**”, “**POP**” and “**CLASSICAL**” apart from the individually programmable setting “**CUSTOM**”.

16 | English

To select one of the stored **sound pre-sets**, press the **“Equalizer”** button **15** until the desired setting is indicated in indicator **a** on the display.

Changing the “CUSTOM” Setting:

- Press the **“Custom”** button **17** once. The **“BAS”** indicator **c** flashes on the display and the stored bass level flashes in indicator **d**.
- Set the desired bass level (value between 0 and 10). To increase the bass level, turn the **“Bass/Treb”** adjustment knob **25** clockwise; to reduce the bass level, turn the adjustment knob anticlockwise.
- To store the set bass level, press the **“Custom”** button **17** a second time. The **“TRE”** indicator **b** flashes in the display for the following treble adjustment, and the stored treble value flashes in indicator **d**.
- Set the desired treble level (value between 0 and 10). To increase the treble level, turn the **“Bass/Treb”** adjustment knob **25** clockwise; to reduce the treble level, turn the adjustment knob anticlockwise.
- To store the set treble level, press the **“Custom”** button **17** a third time.

Selecting an Audio Source

To select an audio source, press the **“Source”** button **22** until indicator **m** for the desired internal audio source (see “Setting/Storing Radio Stations”, page 16) or external audio source (see “Connecting External Audio Sources”, page 16) appears in the display:

- **“FM”**: FM radio,
- **“AM”**: AM radio,
- **“AUX 1”**: External audio source (e.g. CD player) via the 3.5 mm socket **28** on the side,
- **“AUX 2”**: External audio source (e.g. MP3 player) via the 3.5 mm socket **35** in the digital media bay,
- **“USB”**: External audio source (e.g. USB stick) via the USB port **33**,
- **“SD”**: External audio source (SD/MMC card) via the SD/MMC slot **34**.

Setting the Rod Antenna

The construction site radio is provided with a mounted rod antenna **10**. For radio operation, point the rod antenna toward the direction that enables the best reception.

When the reception is insufficient, position the construction site radio at a different location that enables better reception.

Note: When operating the construction site radio in the direct vicinity of radio-communication equipment or radio transceivers, or other electronic equipment, the radio reception can be subject to interference.

If the rod antenna **10** should become loose, tighten it directly at the housing by turning in clockwise direction.

Setting/Storing Radio Stations

Press the **“Source”** button **22** until **“FM”** is indicated for the ultra-short wave reception range or **“AM”** for the medium wave reception range in display element **m**.

To **set a certain radio frequency**, turn the **“Tune”** adjustment knob **19** clockwise to increase the frequency, and anticlockwise to decrease it. During setting, the frequency is indicated in display section **n**, then in **j**.

To scan for radio stations with a high signal strength,

press and briefly hold the **“– Seek”** button **23** to scan down and the **“Seek +”** button **21** to scan up the frequency scale. The frequency of the found radio station is briefly indicated in display **n** and then in **j**.

When the reception of a suitable signal is sufficiently strong, the construction site radio automatically switches to stereo reception. The indicator for stereo reception **i** appears on the display.

To **store a set station**, press the **“Memory”** button **16**. The **“PRESET”** indicator **e** flashes in the display and the number of the last preset in **d**. To select a preset, press the **“– Seek”** button **23** to scan down and the **“Seek +”** button **21** to scan up, until the desired preset is displayed in indicator **d**. Press the memory button **16** again to store the set station as the selected preset. The indicators **e** and **d** no longer flash.

A total of 20 FM and 10 AM stations can be preset. Please note that an already occupied preset is overwritten when a new radio station is assigned to it.

For **playback of a preset station**, briefly press the **“– Seek”** button **23** to scan down or the **“Seek +”** button **21** to scan up, until the desired preset is displayed in indicator **d** and **“PRESET”** is displayed in **e**.

Connecting External Audio Sources (see figure C)

Apart from the integrated radio, various external audio sources can be played.

AUX-In connection 1: The AUX-In connection 1 is particularly suitable for audio sources to be placed outside of the digital media bay (e.g. a CD player). Remove the protective cap of the **“AUX 1 IN”** socket **28** and insert the 3.5 mm plug of the provided or of another matching AUX cable into the socket. Connect the AUX cable to an appropriate audio source. After removing the AUX cable, reattach the protective cap of the **“AUX 1 IN”** socket **28** to protect against dirt/debris.

For external audio sources via the following connections, open locking latch **8** and open lid **9** of the **“Digital Media Bay”**.

- **SD/MMC connection:** Insert a SD or MMC card into the SD/MMC slot **34**. The labelling of the card must face toward the fuse cap **31**. Playback of the card can be started as soon as the track number as well as the number of available tracks on the card are displayed in indicator **d**. To remove the card, briefly press on the card, which is then ejected.
- **USB connection:** Insert a USB stick (or the USB plug of an appropriate audio source) into USB port **33**. Playback of the USB stick can be started as soon as the track number as well as the number of available tracks on the stick are displayed in indicator **d**. To remove the USB stick, pull it out of the USB port.
- **AUX-In connection 2:** AUX-In connection 2 is particularly suitable for audio sources that can be placed inside of the digital media bay (e.g. a MP3 player). Insert the 3.5 mm plug of the provided AUX cable into the **“AUX 2 IN”** socket **35**. Connect the AUX cable to an appropriate audio source.

When small enough, the connected external audio source can be fastened into the digital media bay using the Velcro strap of the holder **36**.

After connecting the external audio source, close the Media/connections flap **9** if possible, to protect against damage and debris.

For playback of the connected audio source, press the **“Source”** button **22** until the indicator **m** for the desired audio source appears on the display.

Controlling External Audio Sources

For audio sources connected via the SD/MMC slot **34** or the USB port **33**, playback can be controlled via the construction site radio. The number of the selected track is displayed at the left of indicator **d** and the number of available tracks on the right.

Play/Pause:

- To start playback, press the play/pause button **24**. The playing time of the current track is displayed in indicator **j**.
- To interrupt or continue the playback, press the play/pause button **24** again. The current playing time flashes in indicator **j**.

Selecting Tracks:

- To select a track, press the **“– Seek”** button **23** to scan down or the **“Seek +”** button **21** to scan up, until the number of the desired track is displayed on indicator **d**.
- To start playback, press the play/pause button **24**.

Random Playback/Repeat:

- For random playback of all tracks on the card or the USB stick, press the random playback/repeat button **20** once. The indicator **f** appears on the display.
- To repeat all tracks in the current folder/directory, press the random playback/repeat button **20** a second time. The indicator **g** appears on the display.
Note: Only in this function, the number of the current folder/directory on the card or USB stick will appear on the right-hand side of indicator **d**. To change the folder/directory, you have to return to the normal playback first and select a track from the desired folder/directory.
- To repeat only the current track, press the random playback/repeat button **20** a third time. The indicator **h** appears on the display.
- To return to normal playback mode, press the random playback/repeat button **20** a fourth time, so that none of the indicators **f**, **g** or **h** appear on the display.
- To start playback, press the play/pause button **24**.

Connecting External Audio Playback (see figure C)

The current audio signal of the construction site radio can also be transferred to other playback devices (e.g. amplifier and speakers).

Remove the protective cap of the **“LINE OUT”** socket **30** and insert the 3.5 mm plug of a matching AUX cable into the socket. Connect an appropriate playback device to the AUX cable. After removing the AUX cable, reattach the protective cap of the **“LINE OUT”** socket **30** to protect against dirt/debris.

Power Supply of External Devices

The power supply of external devices via the 12 V and the AC connection is possible only when the construction site radio is connected to mains, and not via the inserted battery.

When the construction site radio is connected to the mains supply, this is confirmed by the lit green control lamp **3**.

USB Connection

With the USB connection, it is possible to operate and charge most devices whose power supply is possible via USB (e.g., various mobile phones).

Disengage locking latch **8** and open the digital media bay flap **9**. Connect the USB plug of the external device to the USB port **33** of the construction site radio. To start the charging procedure, the external device must possibly also be selected as the audio source on the construction site radio.

12 V Connection (see figure C)

With the 12 V connection socket, you can operate an external electrical device with a 12 V plug and a max. current consumption of 1 A.

Remove the protective cap of the 12 V connection socket **29**. Insert the plug of the external electrical device into the 12 V socket outlet.

The 12 V connection socket is protected by a **fuse 32**. When no voltage is given after connecting an external device, disengage locking latch **8** and open the digital media bay flap **9**. Unscrew the fuse cap **31** and check if the inserted fuse **32** has blown. If the fuse has blown, insert a new fine-wire fuse (5 x 20 mm, 250 V max. voltage, 1 A rated current and quick-acting tripping characteristic). Screw on and tighten fuse cap **31** again.

Note: Use only 1 A fuses for a max. voltage of 250 V (**“250V 1A FUSE FOR 12V OUTLET”**). When using other fuses, the construction site radio can become damaged.

The 12 V connection is also protected with an **internal thermal fuse**, which is blown/actuated when overheated. The fuse is automatically reset after the construction site radio has cooled down.

After removing the external plug, reattach the protective cap of the 12 V socket outlet **29** to protect against dirt/debris.

A/C Connection (“Power Outlets”) (not for article number 3 601 D29 760)

Further external electrical devices/tools can be operated via the A/C outlets. The socket outlets can vary in consideration of country-specific standards.

The total maximum permitted current consumption of all connected electrical devices/tools must not exceed the value in the following table (also see the labeling on the housing under the outlet cover **4**):

Article number	Total max. current consumption (in A)
3 601 D29 700	15
3 601 D29 730	9
3 601 D29 770	12
3 601 D29 7W0	15
3 601 D29 7X0	9

Open one of the A/C outlet covers **4** and insert the plug of an external electrical device into a socket outlet **5** of the construction site radio.

18 | English

Time Indication

The construction site radio is equipped with a time indication with separate power supply. When back-up batteries with sufficient capacity are inserted in the back-up battery compartment (see "Inserting/Replacing the Back-up Battery", page 15), the time can be stored even when the construction site radio is disconnected from the A/C power supply or the battery.

Setting the Time

- To set the time, press and hold the "**Clock**" button **18** until the hours indication flashes in the time indication display **n**.
- Press the "**Seek +**" button **21** or the "**- Seek**" button **23** until the correct hour setting is indicated.
- Press the "**Clock**" button again, so that the minutes indication flashes in the time indication display **n**.
- Press the "**Seek +**" button **21** or the "**- Seek**" button **23** until the correct minute setting is indicated.
- Press the "**Clock**" button a third time to store the time setting.

Energy Saving Mode

To save energy, you can switch the time indication in display **27** off.

For this, press and hold the On/Off button **26** when switching off audio operation (see "Switching Audio Operation On/Off", page 15), until there is no indication on the display.

To switch the time indication on again, press the On/Off button **26** once.

Working Advice**Recommendations for Optimal Handling of the Battery**

Protect the battery against moisture and water.

Store the battery only within a temperature range between 0 °C and 50 °C. As an example, do not leave the battery in the car in summer.

A significantly reduced working period after charging indicates that the battery is used and must be replaced.

Observe the notes for disposal.

Troubleshooting – Causes and Corrective Measures

Cause	Corrective Measure
Construction site radio inoperative	
No power supply	Properly insert mains plug or battery (completely)
Construction site radio too warm or too cold	Wait until the construction site radio has reached operating temperature
Construction site radio inoperative on A/C power supply	
Mains plug or cord defective	Check mains plug and cable and have repaired as required

Cause	Corrective Measure
Construction site radio inoperative on DC power supply	
Battery contacts contaminated	Clean the battery contacts (e.g. by inserting and removing the battery several times) or replace the battery
Battery pack defective	Replace the battery
Battery too warm or too cold (temperature warning indicator k lit)	Wait until of the battery has reached operating temperature
Power supply to external devices inoperative	
Mains plug not plugged-in	Plug mains plug in (completely)
12 V power supply inoperative	
No fuse 32 inserted	Insert fuse 32
Fuse 32 blown	Replace fuse 32
Internal thermal fuse blown/actuated	Remove external device and allow construction site radio to cool down
Construction site radio suddenly inoperative	
Mains plug or battery not properly or completely plugged in	Plug in mains plug or battery properly or completely
Software error	To reset the software, pull the mains plug and remove the battery; wait 30 seconds, then insert mains plug and battery again
Bad radio reception	
Interference from other devices or insufficient set-up location	Position the construction site radio at another location with better reception or with greater clearance to other electronic devices or socket outlets.
Time indication faulty	
Back-up batteries of clock empty	Replace back-up batteries
Back-up batteries incorrectly inserted (wrong polarity)	Insert back-up batteries correctly

When the corrective measures do not eliminate an error, please contact an authorised service agent for Bosch power tools.

Maintenance and Service**Maintenance and Cleaning**

- ▶ **The mains cable is provided with a special safety connection and may only be replaced by an authorised service agent for Bosch power tools.**

If the construction site radio should fail despite the care taken in manufacture and testing, repair should be carried out by an authorised customer services agent for Bosch power tools.

In all correspondence and spare parts orders, please always include the 10-digit article number given on the type plate of the construction site radio.

After-sales Service and Application Service

Our after-sales service responds to your questions concerning maintenance and repair of your product as well as spare parts. Exploded views and information on spare parts can also be found under:

www.bosch-pt.com

Bosch's application service team will gladly answer questions concerning our products and their accessories.

Great Britain

Robert Bosch Ltd. (B.S.C.)
P.O. Box 98
Broadwater Park
North Orbital Road
Denham
Uxbridge
UB 9 5HJ
Tel. Service: (0844) 7360109
Fax: (0844) 7360146
E-Mail: boschservicecentre@bosch.com

Ireland

Origo Ltd.
Unit 23 Magna Drive
Magna Business Park
City West
Dublin 24
Tel. Service: (01) 4666700
Fax: (01) 4666888

Australia, New Zealand and Pacific Islands

Robert Bosch Australia Pty. Ltd.
Power Tools
Locked Bag 66
Clayton South VIC 3169
Customer Contact Center
Inside Australia:
Phone: (01300) 307044
Fax: (01300) 307045
Inside New Zealand:
Phone: (0800) 543353
Fax: (0800) 428570
Outside AU and NZ:
Phone: +61 3 95415555
www.bosch.com.au

Republic of South Africa

Customer service

Hotline: (011) 6519600

Gauteng – BSC Service Centre

35 Roper Street, New Centre
Johannesburg
Tel.: (011) 4939375
Fax: (011) 4930126
E-Mail: bsctools@icon.co.za

KZN – BSC Service Centre

Unit E, Almar Centre
143 Crompton Street
Pinetown
Tel.: (031) 7012120
Fax: (031) 7012446
E-Mail: bsc.dur@za.bosch.com

Western Cape – BSC Service Centre

Democracy Way, Prosperity Park
Milnerton
Tel.: (021) 5512577
Fax: (021) 5513223
E-Mail: bsc@zsd.co.za

Bosch Headquarters

Midrand, Gauteng
Tel.: (011) 6519600
Fax: (011) 6519880
E-Mail: rbsa-hq.pts@za.bosch.com

People's Republic of China

China Mainland

Bosch Power Tools (China) Co., Ltd.
567, Bin Kang Road
Bin Jiang District 310052
Hangzhou, P.R. China
Service Hotline: 4008268484
Fax: (0571) 87774502
E-Mail: contact.ptcn@cn.bosch.com
www.bosch-pt.com.cn

HK and Macau Special Administrative Regions

Robert Bosch Hong Kong Co. Ltd.
21st Floor, 625 King's Road
North Point, Hong Kong
Customer Service Hotline: +852 2101 0235
Fax: +852 2590 9762
E-Mail: info@hk.bosch.com
www.bosch-pt.com.hk

Indonesia

PT. Multi Mayaka
Kawasan Industri Pulogadung
Jalan Rawa Gelam III No. 2
Jakarta 13930
Indonesia
Tel.: (021) 46832522
Fax: (021) 46828645/6823
E-Mail: sales@multimayaka.co.id
www.bosch-pt.co.id

Philippines

Robert Bosch, Inc.
28th Floor Fort Legend Towers,
3rd Avenue corner 31st Street,
Fort Bonifacio Global City,
1634 Taguig City, Philippines
Tel.: (02) 8703871
Fax: (02) 8703870
matheus.contiero@ph.bosch.com
www.bosch-pt.com.ph

20 | English

Bosch Service Center:
9725-27 Kamagong Street
San Antonio Village
Makati City, Philippines
Tel.: (02) 8999091
Fax: (02) 8976432
rosalie.dagdagan@ph.bosch.com

Malaysia

Robert Bosch (S.E.A.) Sdn. Bhd.
No. 8A, Jalan 13/6
G.P.O. Box 10818
46200 Petaling Jaya
Selangor, Malaysia
Tel.: (03) 79663194
Fax: (03) 79583838
cheehoe.on@my.bosch.com
Toll-Free: 1800 880188
www.bosch-pt.com.my

Thailand

Robert Bosch Ltd.
Liberty Square Building
No. 287, 11 Floor
Silom Road, Bangrak
Bangkok 10500
Tel.: 02 6311879 – 1888 (10 lines)
Fax: 02 2384783
Robert Bosch Ltd., P. O. Box 2054
Bangkok 10501, Thailand

Bosch Service – Training Centre
2869-2869/1 Soi Ban Kluay
Rama IV Road (near old Paknam Railway)
Prakanong District
10110 Bangkok
Thailand
Tel.: 02 6717800 – 4
Fax: 02 2494296
Fax: 02 2495299

Singapore

Robert Bosch (SEA) Pte. Ltd.
11 Bishan Street 21
Singapore 573943
Tel.: 6571 2772
Fax: 6350 5315
leongheng.leow@sg.bosch.com
Toll-Free: 1800 3338333
www.bosch-pt.com.sg

Vietnam

Robert Bosch Vietnam Co. Ltd
10/F, 194 Golden Building
473 Dien Bien Phu Street
Ward 25, Binh Thanh District
84 Ho Chi Minh City
Vietnam
Tel.: (08) 6258 3690 ext. 413
Fax: (08) 6258 3692
hie.u.lagia@vn.bosch.com
www.bosch-pt.com

Transport

The contained lithium-ion batteries are subject to the Dangerous Goods Legislation requirements. The user can transport the batteries by road without further requirements.

When being transported by third parties (e.g.: air transport or forwarding agency), special requirements on packaging and labelling must be observed. For preparation of the item being shipped, consulting an expert for hazardous material is required.

Dispatch batteries only when the housing is undamaged. Tape or mask off open contacts and pack up the battery in such a manner that it cannot move around in the packaging. Please also observe possibly more detailed national regulations.

Disposal

Construction site radios, battery packs, accessories and packaging should be sorted for environmental-friendly recycling.

Do not dispose of construction site radios and battery packs/batteries into household waste!

Only for EC countries:

According to the European Guideline 2002/96/EC, electrical devices/tools that are no longer usable, and according to the European Guideline 2006/66/EC, defective or used battery packs/batteries, must be collected separately and disposed of in an environmentally correct manner.

Batteries no longer suitable for use can be directly returned at:

Great Britain

Robert Bosch Ltd. (B.S.C.)
P.O. Box 98
Broadwater Park
North Orbital Road
Denham
Uxbridge
UB 9 5HJ
Tel. Service: (0844) 7360109
Fax: (0844) 7360146
E-Mail: boschservicecentre@bosch.com

Battery packs/batteries:**Li-ion:**

Please observe the instructions in section "Transport", page 20.

Subject to change without notice.