

Robert Bosch GmbH

Power Tools Division
70745 Leinfelden-Echterdingen
Germany

www.bosch-pt.com

1 619 92A 069 (2013.10) PS / 238 EURO



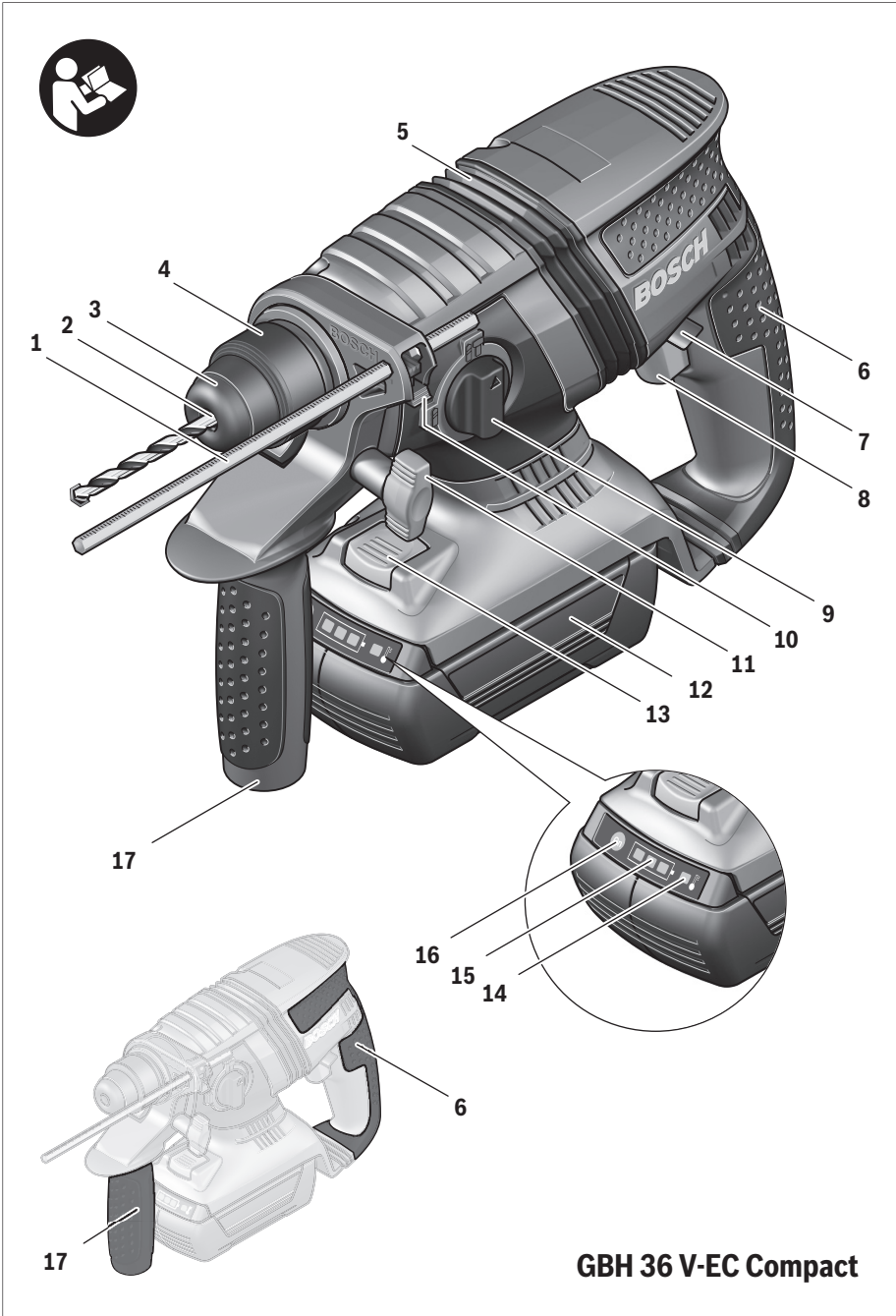
1 619 92A 069

GBH 36 V-EC Compact Professional

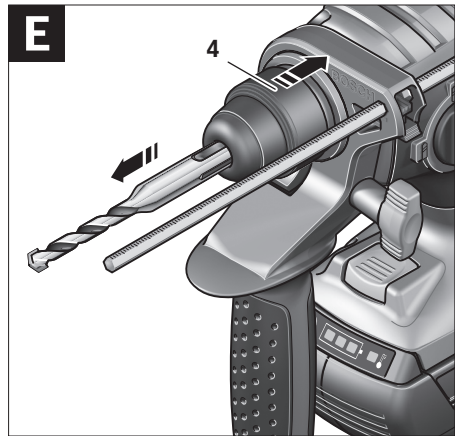
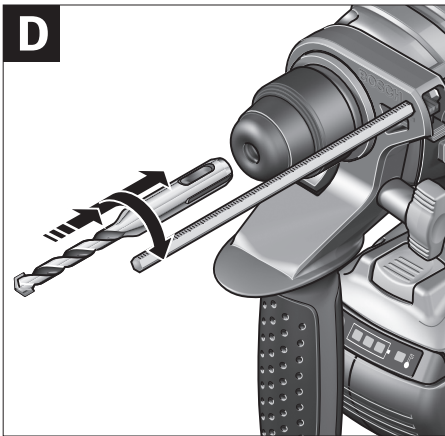
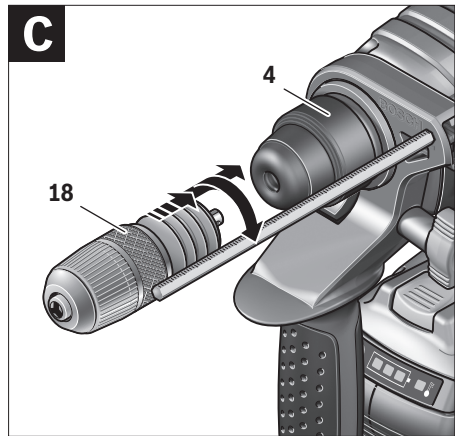
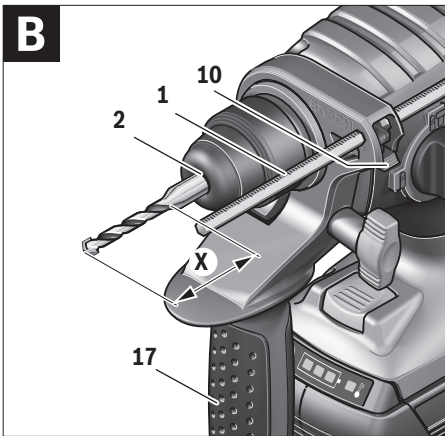
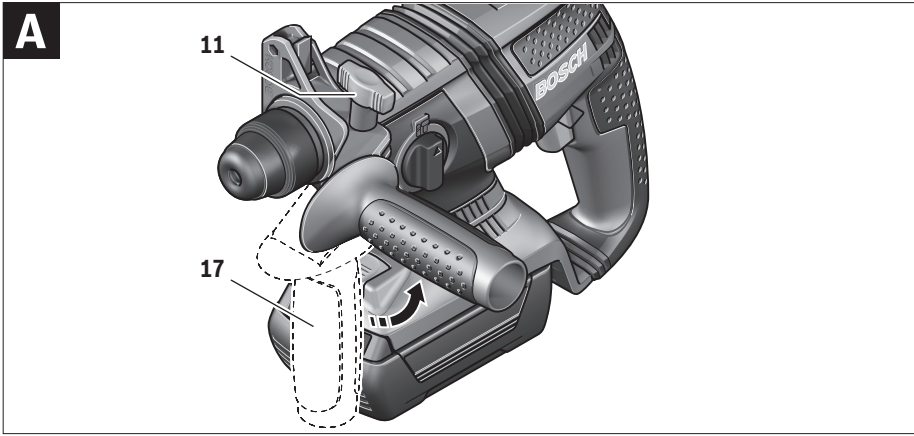


de Originalbetriebsanleitung	tr Orijinal işletme talimatı	mk Оригинално упатство за работа
en Original instructions	pl Instrukcja oryginalna	sr Originalno uputstvo za rad
fr Notice originale	cs Původní návod k používání	sl Izvirna navodila
es Manual original	sk Pôvodný návod na použitie	hr Originalne upute za rad
pt Manual original	hu Eredeti használati utasítás	et Algupärane kasutusjuhend
it Istruzioni originali	ru Оригинальное руководство по эксплуатации	lv Instrukcijas oriģinālvalodā
nl Oorspronkelijke gebruiksaanwijzing	uk Оригінальна інструкція з експлуатації	lt Originali instrukcija
da Original brugsanvisning	kk Пайдалану нұсқаулығының түпнұсқасы	ar تعليمات التشغيل الأصلية
sv Bruksanvisning i original	ro Instrucțiuni originale	fa دفترچه راهنمای اصلی
no Original driftsinstruks	bg Оригинална инструкция	
fi Alkuperäiset ohjeet		
el Πρωτότυπο οδηγιών χρήσης		

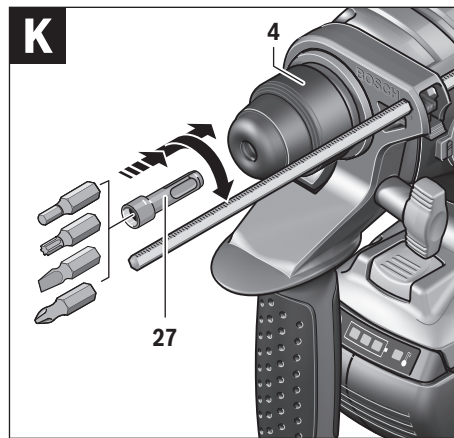
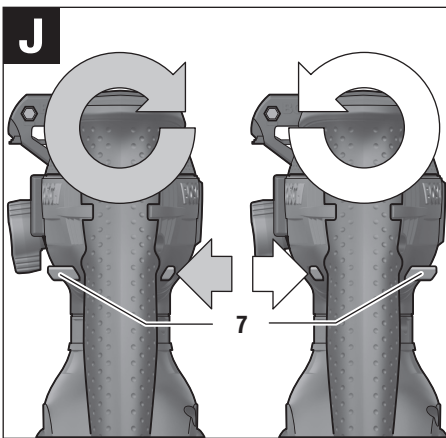
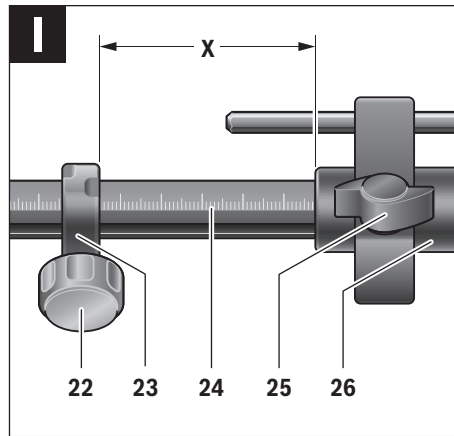
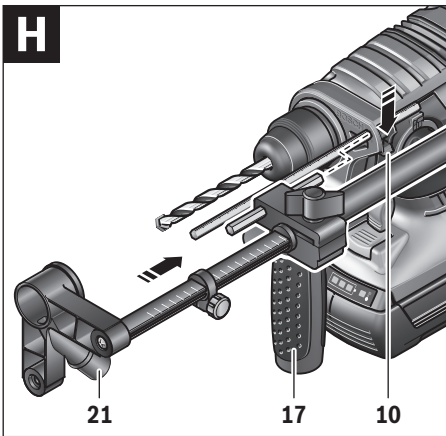
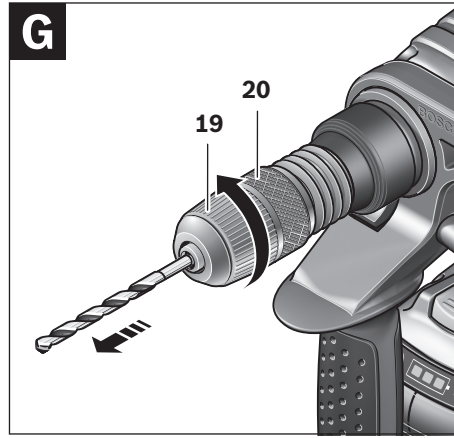
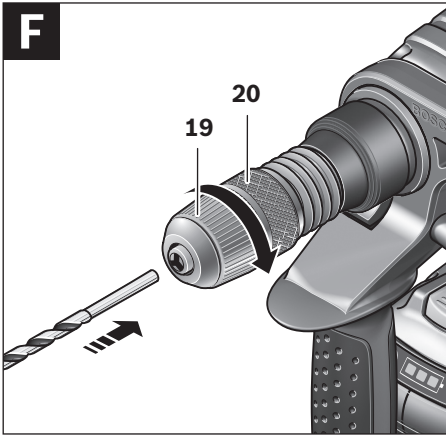




4 |



5 |



Anwendungsberatung: Tel.: (0711) 40040480
 Fax: (0711) 40040482
 E-Mail: Anwendungsberatung.pt@de.bosch.com

Österreich

Tel.: (01) 797222010
 Fax: (01) 797222011
 E-Mail: service.elektrowerkzeuge@at.bosch.com

Schweiz

Tel.: (044) 8471511
 Fax: (044) 8471551
 E-Mail: Aftersales.Service@de.bosch.com

Luxemburg

Tel.: +32 2 588 0589
 Fax: +32 2 588 0595
 E-Mail: outillage.gereedschap@be.bosch.com

Transport

Die enthaltenen Li-Ionen-Akkus unterliegen den Anforderungen des Gefahrgutrechts. Die Akkus können durch den Benutzer ohne weitere Auflagen auf der Straße transportiert werden.

Beim Versand durch Dritte (z.B.: Lufttransport oder Spedition) sind besondere Anforderungen an Verpackung und Kennzeichnung zu beachten. Hier muss bei der Vorbereitung des Versandstückes ein Gefahrgut-Experte hinzugezogen werden.

Versenden Sie Akkus nur, wenn das Gehäuse unbeschädigt ist. Kleben Sie offene Kontakte ab und verpacken Sie den Akku so, dass er sich nicht in der Verpackung bewegt. Bitte beachten Sie auch eventuelle weiterführende nationale Vorschriften.

Entsorgung



Elektrowerkzeuge, Akkus, Zubehör und Verpackungen sollen einer umweltgerechten Wiederverwertung zugeführt werden.

Werfen Sie Elektrowerkzeuge und Akkus/Batterien nicht in den Hausmüll!

Nur für EU-Länder:



Gemäß der europäischen Richtlinie 2012/19/EU müssen nicht mehr gebrauchsfähige Elektrowerkzeuge und gemäß der europäischen Richtlinie 2006/66/EG müssen defekte oder verbrauchte Akkus/Batterien getrennt gesammelt und einer umweltgerechten Wiederverwendung zugeführt werden.

Nicht mehr gebrauchsfähige Akkus/Batterien können direkt abgegeben werden bei:

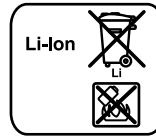
Deutschland

Recyclingzentrum Elektrowerkzeuge
 Osteroder Landstraße 3
 37589 Kalefeld

Schweiz

Batrec AG
 3752 Wimmis BE

Akkus/Batterien:



Änderungen vorbehalten.

Li-Ion:

Bitte beachten Sie die Hinweise im Abschnitt „Transport“, Seite 13.

English

Safety Notes

General Power Tool Safety Warnings



Read all safety warnings and all instructions. Failure to follow the warnings and instructions may result in electric shock, fire and/or serious injury.

Save all warnings and instructions for future reference.

The term “power tool” in the warnings refers to your mains-operated (corded) power tool or battery-operated (cordless) power tool.

Work area safety

- ▶ **Keep work area clean and well lit.** Cluttered or dark areas invite accidents.
- ▶ **Do not operate power tools in explosive atmospheres, such as in the presence of flammable liquids, gases or dust.** Power tools create sparks which may ignite the dust or fumes.
- ▶ **Keep children and bystanders away while operating a power tool.** Distractions can cause you to lose control.

Electrical safety

- ▶ **Power tool plugs must match the outlet. Never modify the plug in any way. Do not use any adapter plugs with earthed (grounded) power tools.** Unmodified plugs and matching outlets will reduce risk of electric shock.
- ▶ **Avoid body contact with earthed or grounded surfaces, such as pipes, radiators, ranges and refrigerators.** There is an increased risk of electric shock if your body is earthed or grounded.
- ▶ **Do not expose power tools to rain or wet conditions.** Water entering a power tool will increase the risk of electric shock.
- ▶ **Do not abuse the cord. Never use the cord for carrying, pulling or unplugging the power tool. Keep cord away from heat, oil, sharp edges and moving parts.** Damaged or entangled cords increase the risk of electric shock.
- ▶ **When operating a power tool outdoors, use an extension cord suitable for outdoor use.** Use of a cord suitable for outdoor use reduces the risk of electric shock.
- ▶ **If operating a power tool in a damp location is unavoidable, use a residual current device (RCD) protected supply.** Use of an RCD reduces the risk of electric shock.

14 | English

Personal safety

- ▶ **Stay alert, watch what you are doing and use common sense when operating a power tool. Do not use a power tool while you are tired or under the influence of drugs, alcohol or medication.** A moment of inattention while operating power tools may result in serious personal injury.
- ▶ **Use personal protective equipment. Always wear eye protection.** Protective equipment such as dust mask, non-skid safety shoes, hard hat, or hearing protection used for appropriate conditions will reduce personal injuries.
- ▶ **Prevent unintentional starting. Ensure the switch is in the off-position before connecting to power source and/or battery pack, picking up or carrying the tool.** Carrying power tools with your finger on the switch or energising power tools that have the switch on invites accidents.
- ▶ **Remove any adjusting key or wrench before turning the power tool on.** A wrench or a key left attached to a rotating part of the power tool may result in personal injury.
- ▶ **Do not overreach. Keep proper footing and balance at all times.** This enables better control of the power tool in unexpected situations.
- ▶ **Dress properly. Do not wear loose clothing or jewellery. Keep your hair, clothing and gloves away from moving parts.** Loose clothes, jewellery or long hair can be caught in moving parts.
- ▶ **If devices are provided for the connection of dust extraction and collection facilities, ensure these are connected and properly used.** Use of dust collection can reduce dust-related hazards.

Power tool use and care

- ▶ **Do not force the power tool. Use the correct power tool for your application.** The correct power tool will do the job better and safer at the rate for which it was designed.
- ▶ **Do not use the power tool if the switch does not turn it on and off.** Any power tool that cannot be controlled with the switch is dangerous and must be repaired.
- ▶ **Disconnect the plug from the power source and/or the battery pack from the power tool before making any adjustments, changing accessories, or storing power tools.** Such preventive safety measures reduce the risk of starting the power tool accidentally.
- ▶ **Store idle power tools out of the reach of children and do not allow persons unfamiliar with the power tool or these instructions to operate the power tool.** Power tools are dangerous in the hands of untrained users.
- ▶ **Maintain power tools. Check for misalignment or binding of moving parts, breakage of parts and any other condition that may affect the power tool's operation. If damaged, have the power tool repaired before use.** Many accidents are caused by poorly maintained power tools.
- ▶ **Keep cutting tools sharp and clean.** Properly maintained cutting tools with sharp cutting edges are less likely to bind and are easier to control.

- ▶ **Use the power tool, accessories and tool bits etc. in accordance with these instructions, taking into account the working conditions and the work to be performed.** Use of the power tool for operations different from those intended could result in a hazardous situation.

Battery tool use and care

- ▶ **Recharge only with the charger specified by the manufacturer.** A charger that is suitable for one type of battery pack may create a risk of fire when used with another battery pack.
- ▶ **Use power tools only with specifically designated battery packs.** Use of any other battery packs may create a risk of injury and fire.
- ▶ **When battery pack is not in use, keep it away from other metal objects, like paper clips, coins, keys, nails, screws or other small metal objects, that can make a connection from one terminal to another.** Shorting the battery terminals together may cause burns or a fire.
- ▶ **Under abusive conditions, liquid may be ejected from the battery; avoid contact. If contact accidentally occurs, flush with water. If liquid contacts eyes, additionally seek medical help.** Liquid ejected from the battery may cause irritation or burns.

Service

- ▶ **Have your power tool serviced by a qualified repair person using only identical replacement parts.** This will ensure that the safety of the power tool is maintained.

Hammer Safety Warnings

- ▶ **Wear ear protectors.** Exposure to noise can cause hearing loss.
- ▶ **Use auxiliary handle(s), if supplied with the tool.** Loss of control can cause personal injury.
- ▶ **Hold power tool by insulated gripping surfaces, when performing an operation where the cutting accessory or fastener may contact hidden wiring.** Cutting accessory and fasteners contacting a "live" wire may make exposed metal parts of the power tool "live" and could give the operator an electric shock.
- ▶ **Use appropriate detectors to determine if utility lines are hidden in the work area or call the local utility company for assistance.** Contact with electric lines can lead to fire and electric shock. Damaging a gas line can lead to explosion. Penetrating a water line causes property damage.
- ▶ **When working with the machine, always hold it firmly with both hands and provide for a secure stance.** The power tool is guided more secure with both hands.
- ▶ **Secure the workpiece.** A workpiece clamped with clamping devices or in a vice is held more secure than by hand.
- ▶ **Always wait until the machine has come to a complete stop before placing it down.** The tool insert can jam and lead to loss of control over the power tool.
- ▶ **Do not open the battery.** Danger of short-circuiting.



Protect the battery against heat, e. g., against continuous intense sunlight, fire, water, and moisture. Danger of explosion.

- ▶ **In case of damage and improper use of the battery, vapours may be emitted. Ventilate the area and seek medical help in case of complaints.** The vapours can irritate the respiratory system.
- ▶ **Use the battery only in conjunction with your Bosch power tool.** This measure alone protects the battery against dangerous overload.
- ▶ **The battery can be damaged by pointed objects such as nails or screwdrivers or by force applied externally.** An internal short circuit can occur and the battery can burn, smoke, explode or overheat.

Product Description and Specifications



Read all safety warnings and all instructions. Failure to follow the warnings and instructions may result in electric shock, fire and/or serious injury.

While reading the operating instructions, unfold the graphics page for the machine and leave it open.

Intended Use

The machine is intended for hammer drilling in concrete, brick and stone. It is also suitable for drilling without impact in wood, metal, ceramic and plastic. Machines with electronic control and right/left rotation are also suitable for screwdriving.

Product Features

The numbering of the product features refers to the illustration of the machine on the graphics page.

- 1 Depth stop
- 2 SDS-plus tool holder
- 3 Dust protection cap
- 4 Locking sleeve
- 5 Vibration damper
- 6 Handle (insulated gripping surface)
- 7 Rotational direction switch
- 8 On/Off switch
- 9 Selector switch for drilling/hammer drilling
- 10 Button for depth stop adjustment
- 11 Wing bolt for adjustment of auxiliary handle
- 12 Battery pack*
- 13 Battery unlocking button
- 14 Temperature control indicator
- 15 Battery charge-control indicator
- 16 Button for charge-control indicator
- 17 Auxiliary handle (insulated gripping surface)
- 18 Keyless chuck*
- 19 Front sleeve of the keyless chuck*
- 20 Rear sleeve of the keyless chuck*
- 21 Extraction sleeve of the dust extraction attachment*
- 22 Clamping screw for the dust extraction attachment*
- 23 Depth stop of the dust extraction attachment*
- 24 Telescopic pipe of the dust extraction attachment*
- 25 Wing bolt of the dust extraction attachment*
- 26 Guide pipe of the dust extraction attachment*
- 27 Universal bit holder with SDS-plus shank*

*Accessories shown or described are not part of the standard delivery scope of the product. A complete overview of accessories can be found in our accessories program.

Technical Data

Rotary Hammer	GBH 36 V-EC Compact	
Article number		3 611 J03 R..
Speed control		●
Right/left rotation		●
Rated voltage	V=	36
Rated power input	W	430
Output power	W	320
Impact rate	min ⁻¹	0 – 4850
Impact energy per stroke according to EPTA-Procedure 05/2009	J	1.8
Speed	min ⁻¹	0 – 1500
Tool holder		SDS-plus
Spindle collar diameter	mm	48
Drilling diameter, max.:		
– Concrete	mm	18
– Steel	mm	13
– Wood	mm	30
max. Diameter screw	mm	6
Weight according to EPTA-Procedure 01/2003	kg	2.9/3.5*

* dependent of the battery pack being used

Battery

Permitted ambient temperature		
– when charging	°C	0 ... +45
– during operation*	°C	–20 ... +50
– during storage	°C	–20 ... +60
Recommended batteries		GBA 36V x,xAh H.

* Limited performance at temperatures < 0 °C

Noise/Vibration Information

Measured sound values determined according to EN 60745.

Typically the A-weighted noise levels of the product are:

Sound pressure level 91 dB(A); Sound power level

102 dB(A). Uncertainty K = 3 dB.

Wear hearing protection!

Vibration total values a_h (triax vector sum) and uncertainty K determined according to EN 60745:

Hammer drilling into concrete: $a_h = 16 \text{ m/s}^2$, $K = 1.9 \text{ m/s}^2$,

Drilling in metal: $a_h < 2.5 \text{ m/s}^2$, $K = 1.5 \text{ m/s}^2$,

Screwdriving without impact: $a_h < 2.5 \text{ m/s}^2$, $K = 1.5 \text{ m/s}^2$.

16 | English

The vibration level given in this information sheet has been measured in accordance with a standardised test given in EN 60745 and may be used to compare one tool with another. It may be used for a preliminary assessment of exposure. The declared vibration emission level represents the main applications of the tool. However if the tool is used for different applications, with different accessories or insertion tools or is poorly maintained, the vibration emission may differ. This may significantly increase the exposure level over the total working period.

An estimation of the level of exposure to vibration should also take into account the times when the tool is switched off or when it is running but not actually doing the job. This may significantly reduce the exposure level over the total working period.


Identify additional safety measures to protect the operator from the effects of vibration such as: maintain the tool and the accessories, keep the hands warm, organisation of work patterns.

Declaration of Conformity

We declare under our sole responsibility that the product described under "Technical Data" is in conformity with the following standards or standardization documents: EN 60745 according to the provisions of the directives 2011/65/EU, 2004/108/EC, 2006/42/EC.

Technical file (2006/42/EC) at:
Robert Bosch GmbH, PT/ETM9,
D-70745 Leinfelden-Echterdingen

Henk Becker Executive Vice President Engineering	Helmut Heinzelmann Head of Product Certification PT/ETM9
--	--

PPA
 *i.V. K. W. K.*

Robert Bosch GmbH, Power Tools Division
D-70745 Leinfelden-Echterdingen
Leinfelden, 16.10.2013

Assembly

Battery Charging

► **Use only the battery chargers listed on the accessories page.** Only these battery chargers are matched to the lithium ion battery of your power tool.

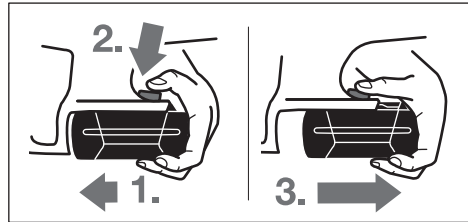
Note: The battery is supplied partially charged. To ensure full capacity of the battery, completely charge the battery in the battery charger before using your power tool for the first time. The lithium ion battery can be charged at any time without reducing its service life. Interrupting the charging procedure does not damage the battery.

The lithium ion battery is protected against deep discharging by the "Electronic Cell Protection (ECP)". When the battery is empty, the machine is switched off by means of a protective circuit: The inserted tool no longer rotates.

► **Do not continue to press the On/Off switch after the machine has been automatically switched off.** The battery can be damaged.

Removing the battery

The battery **12** is equipped with two locking levels that should prevent the battery from falling out when pushing the battery unlocking button **13** unintentionally. As long as the battery is inserted in the power tool, it is held in position by means of a spring.



To remove the battery **12**:

- Push the battery against the base of the power tool (1.) and at the same time press the battery unlocking button **13** (2.).
- Pull the battery out of the power tool until a red stripe becomes visible (3.).
- Press the battery unlocking button **13** again and pull out the battery completely.

Battery Charge-control Indication

The three green LEDs of the battery charge-control indicator **15** indicate the charge condition of the battery **12**. For safety reasons, it is only possible to check the status of the charge condition when the machine is at a standstill.

- Push button **16** to indicate the charge condition (also possible when the battery is removed). The battery charge-control indicator automatically goes out after approx. 5 seconds.

LED	Capacity
Continuous lighting 3 x green	≥ 2/3
Continuous lighting 2 x green	≥ 1/3
Continuous lighting 1 x green	< 1/3
Flashing light 1 x green	Reserve

When no LED lights up after pushing button **16**, then the battery is defective and must be replaced.

During the charging procedure, the three green LEDs light up one after the other and briefly go out. The battery is fully charged when the three green LEDs light up continuously. The three LEDs go out again approx. 5 minutes after the battery has been fully charged.

The battery is equipped with a NTC temperature control which allows charging only within a temperature range of between 0 °C and 45 °C. A long battery service life is achieved in this manner.

Auxiliary Handle

- ▶ **Operate your machine only with the auxiliary handle 17.**

Changing the position of the auxiliary handle (see figure A)

The auxiliary handle **17** can be set to any position for a secure and low-fatigue working posture.

- Turn the wing bolt for adjustment of the auxiliary handle **11** in anticlockwise direction and set the auxiliary handle **17** to the required position. Then tighten the wing bolt **11** again in clockwise direction.

Adjusting the Drilling Depth (see figure B)

The required drilling depth **X** can be set with the depth stop **1**.

- Press the button for the depth stop adjustment **10** and insert the depth stop into the auxiliary handle **17**.

The knurled surface of the depth stop **1** must face downward.

- Insert the SDS-plus drilling tool to the stop into the SDS-plus tool holder **2**. Otherwise, the movability of the SDS-plus drilling tool can lead to incorrect adjustment of the drilling depth.
- Pull out the depth stop until the distance between the tip of the drill bit and the tip of the depth stop correspond with the desired drilling depth **X**.

Selecting Drill Chucks and Tools

For hammer drilling, SDS-plus tools are required that are inserted in the SDS-plus drill chuck.

For drilling without impact in wood, metal, ceramic and plastic as well as for screwdriving, tools without SDS-plus are used (e. g., drills with cylindrical shank). For these tools, a keyless chuck or a key type drill chuck are required.

Changing the Keyless Chuck

To work with tools without SDS-plus (e. g., drills with cylindrical shank), a suitable drill chuck must be mounted (key type drill chuck or keyless chuck, accessories).

Inserting the Keyless Chuck (see figure C)

- Clean the shank end of the adapter shank and apply a light coat of grease.
- Insert the keyless chuck **18** with the adapter shank into the tool holder with a turning motion until it automatically locks.
- Check the locking effect by pulling the keyless chuck.

Removing the Keyless Chuck

- Push the locking sleeve **4** toward the rear and pull out the keyless chuck **18**.

Changing the Tool

The dust protection cap **3** largely prevents the entry of drilling dust into the tool holder during operation. When inserting the tool, take care that the dust protection cap **3** is not damaged.

- ▶ **A damaged dust protection cap should be changed immediately. We recommend having this carried out by an after-sales service.**

Inserting SDS-plus Drilling Tools (see figure D)

The SDS-plus drill chuck allows for simple and convenient changing of drilling tools without the use of additional tools.

- Clean and lightly grease the shank end of the tool.
- Insert the tool in a twisting manner into the tool holder until it latches itself.
- Check the latching by pulling the tool.

As a requirement of the system, the SDS-plus drilling tool can move freely. This causes a certain radial run-out at no-load, which has no effect on the accuracy of the drill hole, as the drill bit centres itself upon drilling.

Removing SDS-plus Drilling Tools (see figure E)

- Push back the locking sleeve **4** and remove the tool.

Inserting Drilling Tools without SDS-plus (see figure F)

Note: Do not use tools without SDS-plus for hammer drilling or chiselling! Tools without SDS-plus and their drill chucks are damaged by hammer drilling or chiselling.

- Insert the keyless chuck **18**.
- Hold the rear sleeve **20** of the keyless chuck **18** and turn the front sleeve **19** in anticlockwise direction until the tool can be inserted. Insert the tool.
- Tightly hold the rear sleeve of the keyless chuck **18** and firmly turn the front sleeve clockwise by hand until the locking action is no longer heard. This automatically locks the drill chuck.
- Check the tight seating by pulling the tool.

Note: If the tool holder was opened to the stop, then a latching noise possibly may be heard while closing the tool holder and the tool holder will not close.

In this case, turn the front sleeve **19** once in anticlockwise direction. Afterwards, the tool holder can be closed (tightened).

- Turn the mode selector switch **11** to the “drilling” position.

Removing Drilling Tools without SDS-plus (see figure G)

- Firmly hold the rear sleeve **20** of the keyless chuck and turn the front sleeve **19** of the keyless chuck in anticlockwise direction until the drilling tool can be removed.

Dust Extraction with the Dust Extraction Attachment (Accessory)

- ▶ Dusts from materials such as lead-containing coatings, some wood types, minerals and metal can be harmful to one's health. Touching or breathing-in the dusts can cause allergic reactions and/or lead to respiratory infections of the user or bystanders.

Certain dusts, such as oak or beech dust, are considered as carcinogenic, especially in connection with wood-treatment additives (chromate, wood preservative). Materials containing asbestos may only be worked by specialists.

- As far as possible, use a dust extraction system suitable for the material.
- Provide for good ventilation of the working place.
- It is recommended to wear a P2 filter-class respirator.

Observe the relevant regulations in your country for the materials to be worked.

18 | English

- ▶ **Prevent dust accumulation at the workplace.** Dusts can easily ignite.

Mounting the Dust Extraction Attachment (see figure H)

For dust extraction, the dust extraction attachment (accessory) is required. When drilling, the dust extraction attachment retracts so that the attachment head is always close to the surface at the drill hole.

- Press the button for depth stop adjustment **10** and remove the depth stop **1**. Press button **10** again and insert the dust extraction attachment into the auxiliary handle **17** from the front.
- Connect an extraction hose (diameter 19 mm, accessory) to the extraction sleeve **21** of the dust extraction attachment.

The vacuum cleaner must be suitable for the material being worked.

When vacuuming dry dust that is especially detrimental to health or carcinogenic, use a special vacuum cleaner.

Adjusting the Drilling Depth on the Dust Extraction Attachment (see figure I)

The required drilling depth **X** can also be adjusted when the dust extraction attachment is mounted.

- Insert the SDS-plus drilling tool to the stop into the SDS-plus tool holder **2**. Otherwise, the movability of the SDS-plus drilling tool can lead to incorrect adjustment of the drilling depth.
- Loosen the wing bolt **25** on the dust extraction attachment.
- Without switching the power tool on, apply it firmly to the drilling location. The SDS-plus drilling tool must face against the surface.
- Position the the guide pipe **26** of the dust extraction attachment in its holding fixture in such a manner that the head of the dust extraction attachment faces against the surface to be drilled. Do not slide the guide pipe **26** further over the telescopic pipe **24** of the dust extraction attachment than required, so that as much as possible of the scale **24** on the telescopic pipe remains visible.
- Retighten the wing bolt **25** again. Loosen the clamping screw **22** on the depth stop of the dust extraction attachment.
- Move the depth stop **23** on the telescopic pipe **24** in such a manner that the clearance **X** shown in the figure corresponds with the required drilling depth.
- Tighten the clamping screw **22** in this position.

Operation

Starting Operation

Inserting the battery

- ▶ **Use only original Bosch lithium ion batteries with the voltage listed on the nameplate of your power tool.** Using other batteries can lead to injuries and pose a fire hazard.
- Set the rotational direction switch **7** to the centre position to protect the power tool against accidental starting.

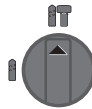
- Insert the charged battery **12** from the front into the base of the power tool. Push the battery completely into the base until the red stripe can no longer be seen and the battery is securely locked.

Setting the operating mode

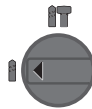
With the selector switch for drilling/hammer drilling **9**, the operating mode of the machine is selected.

Note: Change the operating mode only when the machine is switched off! Otherwise, the machine can be damaged.

- To change the operating mode, turn the selector switch for “drilling/hammer drilling” **9** to the requested position.



Position for **hammer drilling** in concrete or stone



Position for **drilling** without impact in wood, metal, ceramic and plastic as well as for screwdriving

Reversing the rotational direction (see figure J)

The rotational direction switch **7** is used to reverse the rotational direction of the machine. However, this is not possible with the On/Off switch **8** actuated.

- 🔄 **Right rotation:** Push the rotational direction switch **7** left to the stop.

- 🔄 **Left rotation:** Push the rotational direction switch **7** right to the stop.

For hammer drilling and drilling, always set the direction of rotation to right rotation.

Switching On and Off

- To **start** the machine, press the On/Off switch **8**.

When starting the machine for the first time, a starting delay is possible, as the electronic system of the power tool has to configure itself first.

To save energy, only switch the power tool on when using it.

- To **switch off** the machine, release the On/Off switch **8**.

Setting the Speed/Impact Rate

The speed/impact rate of the switched on power tool can be variably adjusted, depending on how far the On/Off switch **8** is pressed.

Light pressure on the On/Off switch **8** results in low speed/impact rate. Further pressure on the switch increases the speed/impact rate.

Safety Clutch

- ▶ **If the tool insert becomes caught or jammed, the drive to the drill spindle is interrupted. Because of the forces that occur, always hold the power tool firmly with both hands and provide for a secure stance.**
- ▶ **If the power tool jams, switch the machine off and loosen the tool insert. When switching the machine on with the drilling tool jammed, high reaction torques can occur.**

Temperature Control Indicator

The red LED of the temperature control indicator **14** signals that the battery or the electronics of the power tool (when the battery is inserted) are not within the optimum temperature range. In this case, the power tool will not operate at full capacity.

Temperature control of the battery:

- The red LED **14** lights up continuously after inserting the battery into the charger: The battery is not within the charging temperature range between 0 °C and 45 °C and cannot be charged.
- The red LED **14** flashes when pushing button **16** or pressing the On/Off switch **8** (when the battery is inserted): The battery is not within the temperature range for operation of –10 °C to +60 °C.
- For battery temperatures over 70 °C, the power tool switches off until the battery is in the optimal temperature range again.

Temperature control of the power tool electronics:

- The red LED **14** lights up continuously when pressing the On/Off switch **8**: The temperature of the machine's electronics is below 5 °C or above 75 °C.
- At a temperature above 90 °C, the electronics of the power tool switch off until the temperature is within the allowable temperature range again.

Working Advice

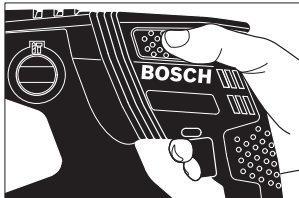
Vibration Damper



The integrated vibration damper reduces occurring vibrations.

The soft grip handle increases the safety against slipping off and thus provides for a better grip and handling of the power tool.

- For optimum use of the vibration-dampening feature, hold the power tool in the upper gripping area.



Inserting Screwdriver Bits (see figure K)

- ▶ **Apply the power tool to the screw/nut only when it is switched off.** Rotating tool inserts can slip off.

To work with screwdriver bits, a universal bit holder **27** with SDS-plus shank (accessory) is required.

- Clean the shank end of the adapter shank and apply a light coat of grease.
- Insert the universal bit holder with a turning motion into the tool holder until it automatically locks.
- Check the locking effect by pulling the universal bit holder.

- Insert a screwdriver bit into the universal bit holder. Use only screwdriver bits that match the screw head.
- To remove the universal bit holder, pull the locking sleeve **4** toward the rear and remove the universal bit holder **27** out of the tool holder.

Recommendations for Optimal Handling of the Battery

Protect the battery against moisture and water.

Store the battery only within a temperature range between 0 °C and 50 °C. As an example, do not leave the battery in the car in summer.

Occasionally clean the venting slots of the battery using a soft, clean and dry brush.

A significantly reduced working period after charging indicates that the battery is used and must be replaced.

Observe the notes for disposal.

Maintenance and Service

Maintenance and Cleaning

- ▶ **Before any work on the machine itself (e. g. maintenance, tool change, etc.) as well as during transport and storage, remove the battery from the power tool.** There is danger of injury when unintentionally actuating the On/Off switch.
- ▶ **For safe and proper working, always keep the machine and ventilation slots clean.**
- ▶ **A damaged dust protection cap should be changed immediately. We recommend having this carried out by an after-sales service.**
- Clean the tool holder **2** each time after using.

After-sales Service and Application Service

In all correspondence and spare parts order, please always include the 10-digit article number given on the type plate of the machine.

Our after-sales service responds to your questions concerning maintenance and repair of your product as well as spare parts. Exploded views and information on spare parts can also be found under:

www.bosch-pt.com

Bosch's application service team will gladly answer questions concerning our products and their accessories.

Great Britain

Robert Bosch Ltd. (B.S.C.)

P.O. Box 98

Broadwater Park

North Orbital Road

Denham

Uxbridge

UB 9 5HJ

Tel. Service: (0844) 7360109

Fax: (0844) 7360146

E-Mail: boschservicecentre@bosch.com

20 | English**Ireland**

Origo Ltd.
Unit 23 Magna Drive
Magna Business Park
City West
Dublin 24
Tel. Service: (01) 4666700
Fax: (01) 4666888

Australia, New Zealand and Pacific Islands

Robert Bosch Australia Pty. Ltd.
Power Tools
Locked Bag 66
Clayton South VIC 3169
Customer Contact Center
Inside Australia:
Phone: (01300) 307044
Fax: (01300) 307045
Inside New Zealand:
Phone: (0800) 543353
Fax: (0800) 428570
Outside AU and NZ:
Phone: +61 3 95415555
www.bosch.com.au

Republic of South Africa

Customer service
Hotline: (011) 6519600

Gauteng – BSC Service Centre

35 Roper Street, New Centre
Johannesburg
Tel.: (011) 4939375
Fax: (011) 4930126
E-Mail: bsctools@icon.co.za

KZN – BSC Service Centre

Unit E, Almar Centre
143 Crompton Street
Pinetown
Tel.: (031) 7012120
Fax: (031) 7012446
E-Mail: bsc.dur@za.bosch.com

Western Cape – BSC Service Centre

Democracy Way, Prosperity Park
Milnerton
Tel.: (021) 5512577
Fax: (021) 5513223
E-Mail: bsc@zsd.co.za

Bosch Headquarters

Midrand, Gauteng
Tel.: (011) 6519600
Fax: (011) 6519880
E-Mail: rbsa-hq.pts@za.bosch.com

Transport

The contained lithium ion batteries are subject to the Dangerous Goods Legislation requirements. The user can transport the batteries by road without further requirements.

When being transported by third parties (e. g.: air transport or forwarding agency), special requirements on packaging and labelling must be observed. For preparation of the item being shipped, consulting an expert for hazardous material is required.

Dispatch batteries only when the housing is undamaged. Tape or mask off open contacts and pack up the battery in such a manner that it cannot move around in the packaging. Please also observe possibly more detailed national regulations.

Disposal

The machine, rechargeable batteries, accessories and packaging should be sorted for environmentally friendly recycling.

Do not dispose of power tools and batteries/rechargeable batteries into household waste!

Only for EC countries:

According to the European Guideline 2012/19/EU, power tools that are no longer usable, and according to the European Guideline 2006/66/EC, defective or used battery packs/batteries, must be collected separately and disposed of in an environmentally correct manner.

Batteries no longer suitable for use can be directly returned at:

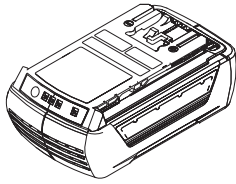
Great Britain

Robert Bosch Ltd. (B.S.C.)
P.O. Box 98
Broadwater Park
North Orbital Road
Denham
Uxbridge
UB 9 5HJ
Tel. Service: (0844) 7360109
Fax: (0844) 7360146
E-Mail: boschservicecentre@bosch.com

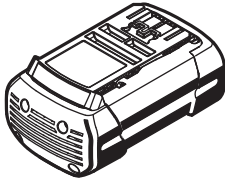
Battery packs/batteries:**Li-ion:**

Please observe the instructions in section "Transport", page 20.

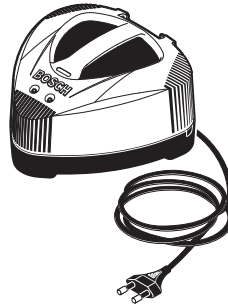
Subject to change without notice.



36 V (Li-Ion)

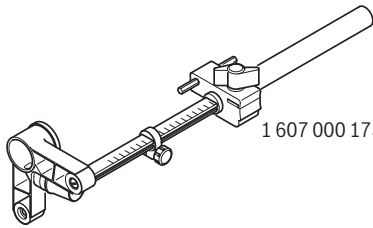


36 V (Li-Ion)

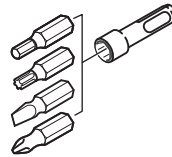


AL 3640 CV

- 2 607 225 100 (EU)
- 2 607 225 102 (UK)
- 2 607 225 104 (AUS)
- 2 607 225 112 (ROK)
- 2 607 225 410 (CN)



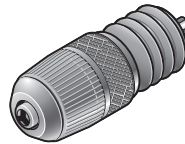
1 607 000 173



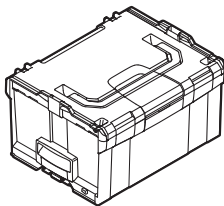
2 607 000 207



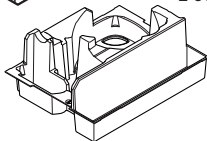
2 603 001 019



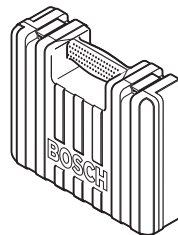
1 618 571 033



2 608 438 693



2 608 438 127



2 605 438 668