

These instructions on wiring and installation are provided as a guideline to assist you. Some experience of electrical wiring and do-it-yourself is required to install the light fitting. If at any time you are unsure of how to proceed, **please consult a qualified electrician.**

Important!



This light fitting is Class II rated. It is double insulated and does not require connection to an Earth circuit.

Before Starting

Please read through these instructions before commencing work, and keep them for future reference.

Please Take Extreme Care When Carrying Out These Instructions

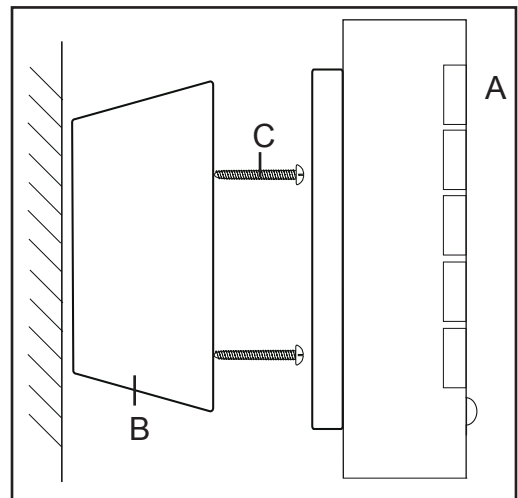
Warning!

Always switch off electricity supply at the mains during installation and maintenance. We recommend that the fuse is withdrawn or the circuit breaker is switched off whilst work is in progress. **Do not just turn off at the wall switch.** All fittings must be installed in accordance with current IEE wiring regulations. During use this product gets hot - Always switch off and allow to cool before touching.

This product is IP44 rated.

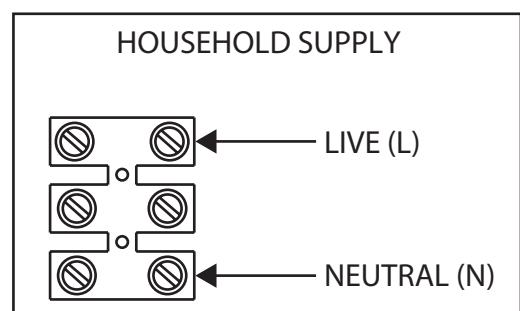
Installation:

- 1) Remove existing light fitting (if applicable) and take a note of the wiring positions.
- 2) Unscrew the metal and plastic shades (A) and remove from mounting box B. Carefully pierce a small hole in the rubber gasket in the back of the mounting box to allow the cable to pass through.
- 3) Thread the cable through the hole and fix the mounting box to the wall with screws supplied C. Ensure the drain hole is at the base of the mounting box. Take care not to damage any concealed wiring.



Wiring:

- 1) Connect household Live wire to terminal block marked 'L'.
- 2) Connect household Neutral wire terminal block marked 'N'.
- 3) Cover any Earth wire with insulation tape. Do not connect it to the terminal block.
- 4) Check that the connections are tight and that no loose strands have been left out of the connection block.
- 5) Push terminal block back onto the retaining pegs inside the mounting box.
- 6) Ensuring the lampholder points upwards, fit the covers back on to the mounting box and refit washers and screws to secure.



Fitting / Replacing the bulb

Bulb type - 40W Maximum G9 Mains Halogen.

Do not exceed this wattage as this may cause the product to overheat.

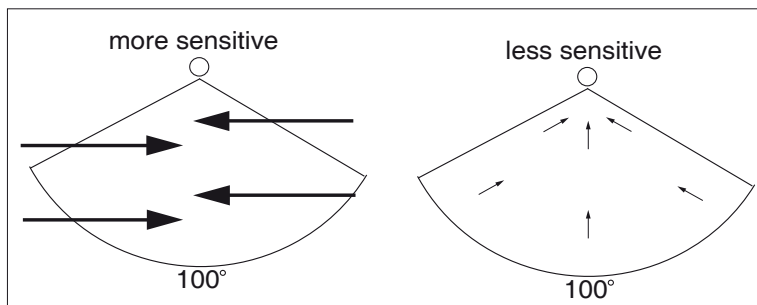
Always switch off and allow product to cool before changing the bulb.

- 1) Unscrew the metal and pastic shade and remove.
- 2) Remove the old bulb by pulling out.
- 3) When inserting new bulb, grip bulb using a soft cloth and push bulb in.
- 4) Replace the shades making sure the seal is properly seated.

Button Wall Light with movement sensor

Please read the information below to help you plan the best location for your movement sensor (PIR) wall light. Once a suitable location has been established, follow the installation & wiring instruction overleaf.

- 1) The unit must be installed in a vertical position.
- 2) For the best results, fix the product to a solid surface, 1.8m - 2.5m above the ground.
- 3) Avoid aiming the motion sensor at pools, heating vents, air conditioners or objects which may change temperature rapidly.
- 4) Try to avoid pointing the unit at trees or shrubs, or where the motion of pets may be detected.
- 5) The PIR sensor is more sensitive to motion across the detection area than motion towards it, therefore consider this when planning the position of the product.

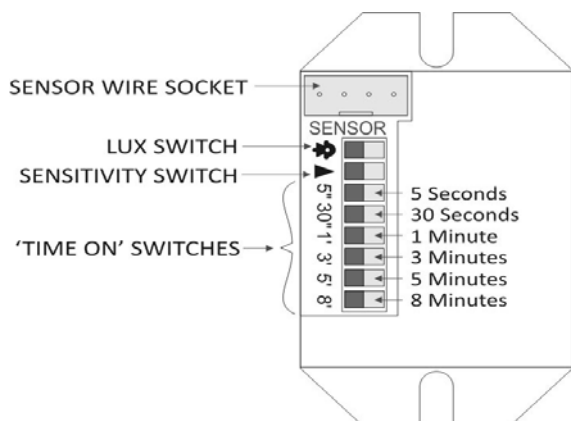


Adjusting the PIR sensor

The PIR Sensor on this fitting has various settings to allow adjustment of the PIR operation. Within the fitting there is a 'DIP' Switch (Control Box) which operates the sensors options.

See below diagram and examples to aid with settings.

A small tool may be required to push the switches.



SETTING EXAMPLES:

	i) WORKS ONLY IN DARKNESS ii) LOW SENSITIVITY iii) 3 MINUTE 'TIME ON'	IE: The fitting will only work during hours of Darkness. The PIR has low sensitivity. The light will stay on for 3 minutes once activated
	i) WORKS ONLY IN DARKNESS ii) HIGH SENSITIVITY iii) 30 SECOND 'TIME ON'	IE: The fitting will only work during hours of Darkness. The PIR has high sensitivity. The light will stay on for 30 seconds once activated
	i) WORKS NIGHT AND DAY ii) HIGH SENSITIVITY iii) 8 MINUTE 'TIME ON'	IE: The fitting will work all the time The PIR has high sensitivity. The light will stay on for 8 minutes once activated

Care and Use

Do not use abrasive materials and cleaners on these products as this may damage the finish. Do not clean the units with a pressure washer. To prolong the life and keep your outdoor lighting in good condition, it is recommended that periodically it is cleaned using a soft cloth followed by the application of a light coating of oil, such as WD40.

Waste electrical products should not be disposed of with household waste. Please recycle where facilities exist. Check with your Local Authority or retailer for recycling advice.