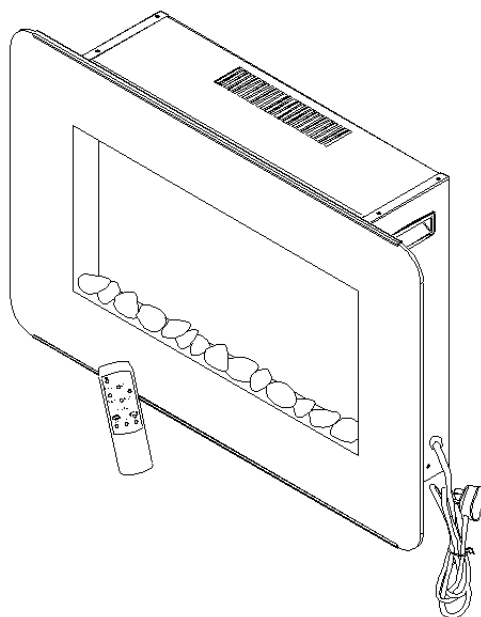
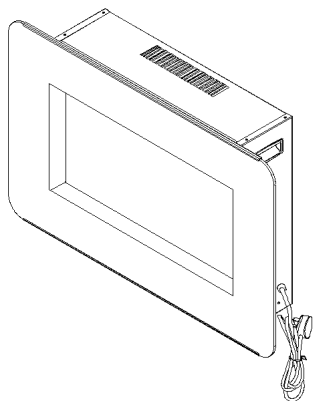


# WALL HUNG FIRE

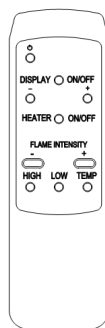


**Model: LDBL2000A-DD4BR**  
**Ref:22217**

[01]×01



[02]×01



[03]×01

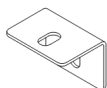


In the back of the fireplace

[04]×02

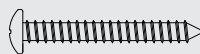


[05]×01

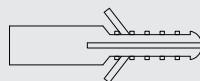


1:1

[06]×06



[07]×06



[08]×02



# Let's get started...

These instructions are for your safety. Please read through them thoroughly before use and retain them for future reference.



## Getting started... 02

<b>Safety</b>	03
<b>Before</b> you start	07
Quick <b>start</b>	08



## In more detail... 10

<b>Technical and legal</b> information	11
<b>Care and maintenance</b>	12

Assembly

14

**PLEASE READ THE FOLLOWING INSTRUCTIONS CAREFULLY BEFORE USING THE APPLIANCE.**

**CAUTION** - Fire, electric shock, physical injury and material damage hazards:

To use the appliance, always follow the instructions for and assembly, use maintenance as well as usage cautions:

1. Carefully read and retain these instructions.
2. Before connecting the appliance, be sure that the mains voltage available matches that specified on the rating plate.
3. Do not use the appliance for other than its intended use.

For domestic indoor use only.

**4. THIS APPLIANCE MUST BE WALL MOUNTED. IT IS NOT SUITABLE FOR USE AS A FREE STANDING APPLIANCE.**

Operating the product in any other position could cause a hazard.

5. There may be trace of odour during the first few minutes of initial use. This is normal and will quickly disappear.

6. The heater is hot when in use .To avoid burns, do not let bare skin touch any hot surface.

7. Keep combustible material such as furniture, cushions, bedding, paper, clothes, curtains etc. at least 1m away from the heater.

8. Do not use the heater in areas where flammable liquids are stored or where flammable fumes may be present.

9. Do not cover or obstruct any of the heat outlet grilles or the air intake openings of the heater.

10. Do not use the heater in the rooms with explosive gas or while using inflammable solvents, varnish or glue.


11. Keep the heater clean. Do not allow any objects to enter any ventilation or exhaust opening as this may cause electric shock, or fire or damage to the heater.

12. Always unplug or disconnect the appliance from the mains

power supply when not in use or when moving or cleaning it.  
Do not pull the cord to unplug the heater.

13. Do not immerse the cord, plug or any part of the appliance in water or any other liquid.
14. Do not attempt to repair, disassemble or modify the appliance. There are no user-serviceable parts inside.
15. The heater must not be located immediately below a socket-outlet.
16. Do not use this heater in the immediate surroundings of a bath, a shower or a swimming pool.
17. CAUTION: In order to avoid a hazard due to inadvertent resetting of the thermal cutout, this appliance must not be supplied through an external switching device, such as a timer, or connected to a circuit that is regularly switched on and off by the utility.

**Do not use this heater with a programmer, timer, separate remote-control system or any other device that switches the heater on automatically, since a fire risk exists if the heater is covered or positioned incorrectly.**

18.  **WARNING** : In order to avoid overheating, do not cover the heater.

19. **WARNING!** - DO NOT COVER THIS APPLIANCE WITH ITEMS SUCH AS CLOTHING, BLANKETS OR PLACE NEXT TO CURTAINS OR NET/BLINDS.

20. If the supply cord is damaged, it must be replaced by the manufacturer, its service agent or similarly qualified persons in order to avoid a hazard.

21. Do not use this heater in small rooms when they are occupied by persons not capable of leaving the room on their own, unless constant supervision is provided.

22. When the glass is damaged, do not use the heater in order to avoid a hazard.

23. CAUTION – if using an extension lead please ensure you maximum rated running wattage/load of the extension lead. extension lead.

24. Children of less than 3 years should be kept away unless continuously supervised.

25. Children aged from 3 years and less than 8 years shall only switch on/off the appliance provided that it has been placed or installed in its intended normal operating position and they have been given supervision or instruction concerning use of the appliance in a safe way and understand the hazards involved. Children aged from 3 years and less than 8 years shall not plug in, regulate and clean the appliance or perform user maintenance.

26. CAUTION Some parts of this product can become very hot and cause burns. Particular attention has to be given where children and vulnerable people are present.

27. This appliance can be used by children aged from 8 years and above and persons with reduced physical, sensory or mental capabilities or lack of experience and knowledge if they have been given supervision or instruction concerning use of **the appliance in a safe way and understand the hazards involved.** **Children shall not play with the appliance. Cleaning and user maintenance shall not be made by children without supervision.**

## Cautions

<b>Do's</b>	<ul style="list-style-type: none"> <li>Always install the heater in accordance with this guide. If in doubt obtain expert advice.</li> </ul>
	<ul style="list-style-type: none"> <li>Always make sure the electrical socket is accessible and located adjacent to, but not above the heater.</li> </ul>
	<ul style="list-style-type: none"> <li>Always disconnect the heater from the electrical supply before moving it, or carrying out cleaning, maintenance.</li> </ul>
	<ul style="list-style-type: none"> <li>Always make sure the heater is firmly secured to prevent it from being tipped over.</li> </ul>
	<ul style="list-style-type: none"> <li>Always use a fireguard when young children and infirm persons can come into contact with the heater.</li> </ul>
<b>Don'ts</b>	<ul style="list-style-type: none"> <li>Never leave children unsupervised in a room where the heater is ON and unguarded.</li> </ul>
	<ul style="list-style-type: none"> <li>Never obstruct or cover the fan outlet or force items into heater openings.</li> </ul>
	<ul style="list-style-type: none"> <li>Never install or use the heater anywhere where water is in use, i.e. Bathrooms, Kitchens, Shower Rooms, and Swimming Pool etc.</li> </ul>
	<ul style="list-style-type: none"> <li>Never use aerosols or steam cleaners on or around the heater.</li> </ul>
	<ul style="list-style-type: none"> <li>Never route the mains supply cable under carpet etc.</li> </ul>
	<ul style="list-style-type: none"> <li>Never install the heater close to curtains or combustible materials.</li> </ul>
	<ul style="list-style-type: none"> <li>Never use the heater to dry clothes etc.</li> </ul>
<ul style="list-style-type: none"> <li>Never sit or stand on the heater.</li> </ul>	
<ul style="list-style-type: none"> <li>Never use with a timer or any other device that switches the fire on automatically</li> </ul>	

## Things to check before you start

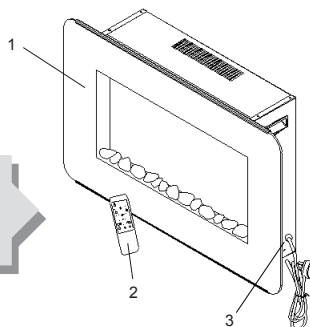
- For domestic use only.
- Never allow children or persons unable to operate the appliance safely, use this appliance without supervision.
- Please dispose of plastic bags carefully and keep them away from children.

**IMPORTANT:** When in use never cover the heater in any way or place it close to combustible materials. The heater will get hot, never touch it whilst in use. Always keep children and pets at a safe distance and never leave unsupervised in a room with a heater that is working.

## Your product

1. Main body
2. Remote control
3. Power switch

**To assemble your product,** consult the assembly guide located **at the end of the guidebook**




## You will need




**IMPORTANT-RETAIN THIS INFORMATION FOR FUTURE REFERENCE: READ CAREFULLY**



## The controls

**This appliance can be activated only by the remote control once the appliance is plugged into a socket and the power switch 0/I turned on. The main power switch is located on the bottom of the appliance** 

1. When using remote control, always point it at the fireplace, and keep no further than 6 metres away.
2. Press the  button, the flame and ember will be on and the heater is at off position. Press it again, all function will be off. If you want to only off the flame and ember, press the DISPLAY ON/OFF button.
3. The DISPLAY ON/OFF button: the flame and ember control button, press it to off the flame and ember if it is on.
5. The EMBER+/- buttons: control the brightness of ember, totally 6 settings.

To increase the ember brightness press the ember(+) button, each press will increase a little of brightness until the biggest brightness. After that even more press, the brightness will no change.

To decrease the ember brightness press the ember(-) button, each press will decrease a little of brightness until the light is off.

6. HEATER ON/OFF button: press this button, the heater works at the HIGH mode(1900W)

Press the HEATER ON/OFF once again, the heater will stop heating.

.HIGH heater works at 1900W

.LOW heater works at 950W

.TEMP. Press this button, the heater will automatically control the room temperature between 22-25 °C, it will shut off when room reaches 25 °C, and will automatically heat when room reaches 22 °C,

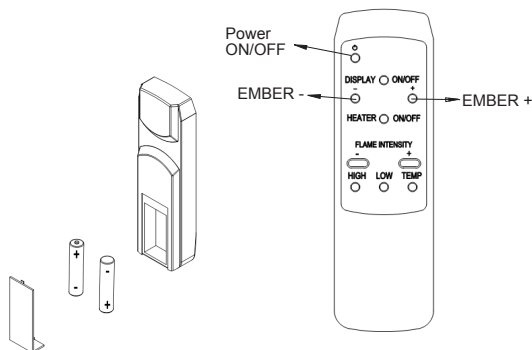
7. The Flame Intensity +/- buttons: control the brightness of flame intensity, totally 5 settings.

To increase the flame effect: press the flame(+) button, each press will increase a little of flame, until the biggest flame. After that even more press, the flame will no change.

To decrease the flame effect: press the flame(-) button, each press will decrease a little of flame, until flame is smallest .

Note. The heating and flame function can only be operated by the remote control.

The remote control requires 2x AAA size batteries (not included) Open the battery compartment by sliding the cover down and insert the batteries noting the polarity indicated in the battery compartment.



### Safety Control (Thermal Cut-Out):

**CAUTION** - This product has one non-self-resetting overheat protection devices.

In the event that the heater stops working as a result of overheating take the following immediate steps: switch the electricity off at the socket and remove the plug. Remove any objects that are covering the product. **CAUTION:** Do not touch the heater as it will be hot.

Set the heater switches to OFF and leave the heater to cool down fully. Once completely cool, reconnect the heater and switch it on. Do not open this product. There are no user-serviceable parts inside.



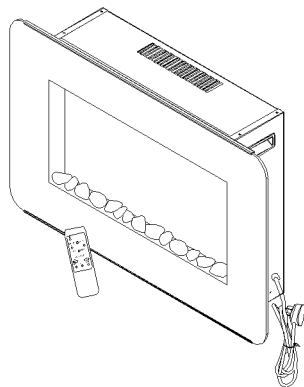
## In more detail...

**Technical information**

11

**Care and maintenance**

12



## Technical specifications

---

- > Model: LDBL2000A-DD4BR
- > Power supply: 220-240V~ 50Hz
- > Rated Power: 1600-1900W
- > Class I
- > Lamp rating (Ember set): LED
- > Lamp rating (Flame generation): LED



Conforms to all relevant European Directives.

## Maintenance and cleaning

1. Switch off and unplug from the power supply before cleaning.
2. Using a soft, moist cloth, with or without a mild soap solution, carefully clean the exterior surface of the product.

**CAUTION:** Allow the product to completely cool before handling or cleaning it.

3. Do not allow water or other liquids to run into the interior of the product, as this could create a fire and/or electrical hazard.
4. We also recommend the periodic cleaning of this appliance by lightly running a vacuum cleaner nozzle over the guards to remove any dust or dirt that may have accumulated inside or on the unit.

**CAUTION:** Do not use harsh detergents, chemical cleaners or solvents as they may damage the surface finish of the plastic components.

## TROUBLESHOOTING GUIDE

Most problems are simple to resolve - please refer to the following table as reference

PROBLEM	CAUSE	CHECK
Fire turns off and will not turn on	<ul style="list-style-type: none"> <li>• Fire has overheated and safety device has caused thermal switch to disconnect or home circuit breaker has opened.</li> </ul>	<ul style="list-style-type: none"> <li>• Reset switch by turning main power switch off and waiting 5 minutes then turning it back on.</li> </ul>
Flame is not moving	<ul style="list-style-type: none"> <li>• Flame motor defective</li> </ul>	<ul style="list-style-type: none"> <li>• Call a qualified service technician to replace flame motor</li> </ul>

## Plug Replacement

This appliance is supplied with a BS1363 3 pin plug fitted with a 13 Amp fuse. Should the fuse require replacement, it must be replaced with a fuse rated at 13 Amp and approved to BS1362.

In the event the mains plug has to be removed/replaced for any reason, please note:

**IMPORTANT:** The wires in the mains lead are coloured in accordance with the following code:

Blue – Neutral

Brown – Live

Green/Yellow – Earth

As the colours of the wires in the mains lead of this appliance may not correspond with the coloured markings identifying the terminals in your plug, proceed as follows.

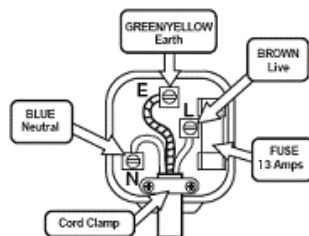
The blue wire must be connected to the terminal marked with an N or coloured black.

The brown wire must be connected to the terminal marked with an L or coloured red.

The green/yellow wire must be connected to the earthing terminal which is marked with an E or with the earth symbol .

**WARNING:** Never connect live or neutral wires to the earth terminal of the plug.

**NOTE:** If a moulded plug is fitted and has to be removed take great care in disposing of the plug and severed cable, it must be destroyed to prevent engaging into a socket.

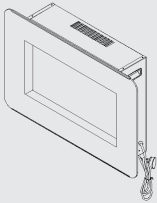


### Recycling



This symbol is known as the 'Crossed-out Wheelie Bin Symbol'. When this symbol is marked on a product or battery, it means that it should not be disposed of with your general household waste. Some chemicals contained within electrical/electronic products or batteries can be harmful to health and the environment. Only dispose of electrical/electronic/battery items in separate collection schemes, which cater for the recovery and recycling of materials contained within. Your co-operation is vital to ensure the success of these schemes and for the protection of the environment.

# 01



[01]×01



[04]×02

## Before Assembly

Before you assemble your fireplace, you should put the pebbles on the ember.

Please following below :

- 1) Put the fireplace on flat floor with the front glass panel on top position.
- 2) Use screwdriver(not supplied) to loosen the 7 screws as Fig A, and remove the glass panel.
- 3) Put the pebbles gently on the ember,as Fig B.
- 4) Tighten the glass panel with the 7 screws tightly.
- 5) Use screwdriver(not supplied) to loosen the 2 screws as Fig C, and remove the hanger.

**Warning:DO NOT OVER TIGHTEN THE SCREWS AS THIS COULD DAMAGE/CRACK THE GLASS!**

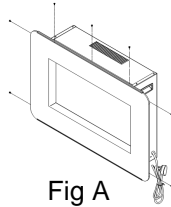


Fig A

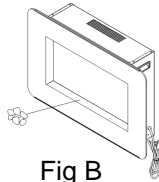


Fig B

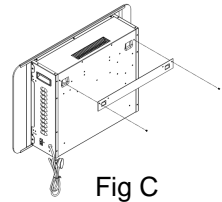
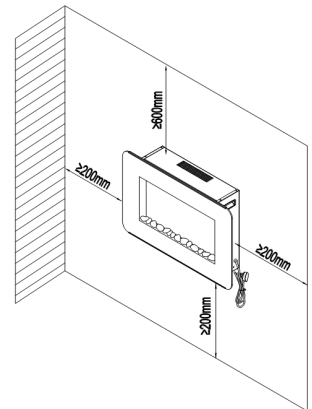


Fig C

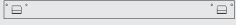
# 02

## Assembly Instructions

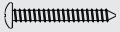
- 1.This heater is for wall mounting only. Do not attempt to use it free standing.
  - 2.Referring to below figure select a suitable position in which to mount the heater horizontally – use a spirit level to achieve this.
  - 3.Check the wall to ensure there is no wiring, pipe wires etc in the area to be drilled. Referring to Fig.1 Drill 4 holes(8mm diameter and 40mm depth), and put the wall plugs into the holes,Referring to Fig.2
  - 4.Referring to Fig.3 First fix hanger to wall.
  5. Referring to Fig.4,hang fireplace to hanger.
  - 6.Referring to Fig.5,avoid fireplace moving, use screws to secure fireplace to wall
  - 7.Insert 2 ‘AAA’ batteries (not supplied) into the remote.
- Warning! Always ensure the fireplace is at least 200mm above the floor!**



# 03



[03]×01



[06]×04



[07]×04

Fig.1

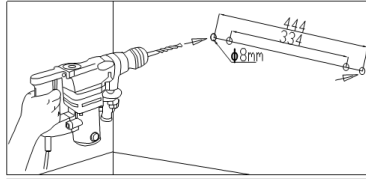


Fig.2

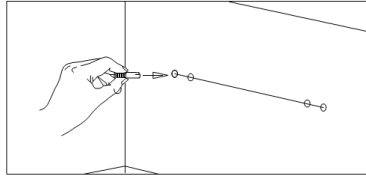


Fig.3

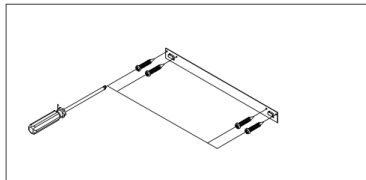
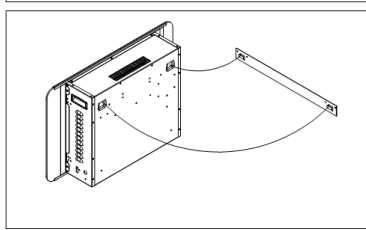


Fig.4



# 04

[05]×01



[06]×01



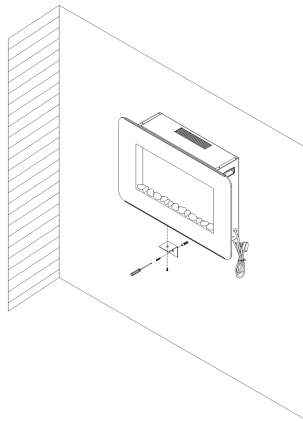
[07]×01



[08]×01



Fig.5







SFD Ltd BA22 8RT

---