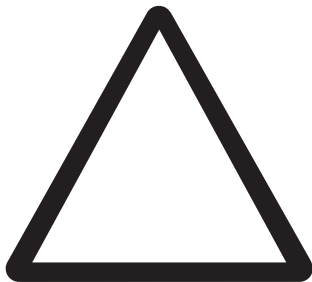


CAUTION

SAFETY: Large windows and glass units are heavy and may be hazardous. Great care MUST be taken to avoid injury during manual handling and particular precautions are required when working at height. The following instructions and recommendations should be followed. Failure to do so may affect the guarantee and the long term performance of the window and glazing.

SS/MFD/JWG607/2k/ISSUE01/FEB2010



Fitting and Fixing Guidelines for

Rio French Doors

Important:

Read before installation

This product must be suitably decorated without delay after receipt.

A timber doorset must not be exposed to extremes of temperature or humidity prior to decoration.

It must be kept dry and stored flat in a protected, well-ventilated area. Polythene or other protective wrappings should remain on the door as long as possible.

If stacking, use a minimum of three bearers, equally spaced along the length and across the full width of the doorset, to ensure an equal distribution of weight.

Preparation for and installation of any additional hardware must be effected in a manner that ensures that water cannot penetrate inside the external protective coating/layer.

All joinery shall be installed correctly in accordance with normal trade practices and adequately maintained in service.

Decoration should be carried out in accordance with the British Standard Code of Practice BS6150:1991. Painting of buildings and BS8000 Part 12:1989. The stain or paint manufacturers instructions must be followed.

All surfaces must be treated (sealed) at the same time to prevent distortion from moisture imbalance. A base coat satin or paint primer are in themselves not a seal. Danish Oil and other oil based finishes are not suitable.

We recommend that in areas of severe exposure external doorsets should be protected by a porch, hood/canopy, in addition to the recommended decorative protection.

It is essential that the paint or stain be applied to all faces, rebates, edges of the door, frame and inside all cutouts.

Sizes Available:

Frame	Frame Size Size	Brickwork Opening
26540	1190 x 2090	1200 x 2100
26541	1490 x 2090	1500 x 2100
26542	1790 x 2090	1800 x 2100

Your new Rio french doors and frame are designed to be installed with the minimum of effort.

Before starting installation please read the following instructions.

Please note: flying mullion to be fitted to the slave door - supplied within the frame pack.

IMPORTANT

Storage: All doors should be stored, protected and fitted to the British Standard code of practice C.P.151 Part 1, 1965 (Wooden Doors).

On receiving the doors, frame and hardware pack, check the contents against the listing sheets. (See inside cover for hardware check list).

The doors and frame must be treated prior to assembly, with a minimum of one base coat and two top coats of an added durability microporous wood treatment i.e. Dulux Weathershield Woodstain.

Sand lightly between coats taking care that the top and bottom door edges are fully coated.



WOOD. AT THE HEART
OF A GOOD WINDOW



10 years against
manufacturing defects

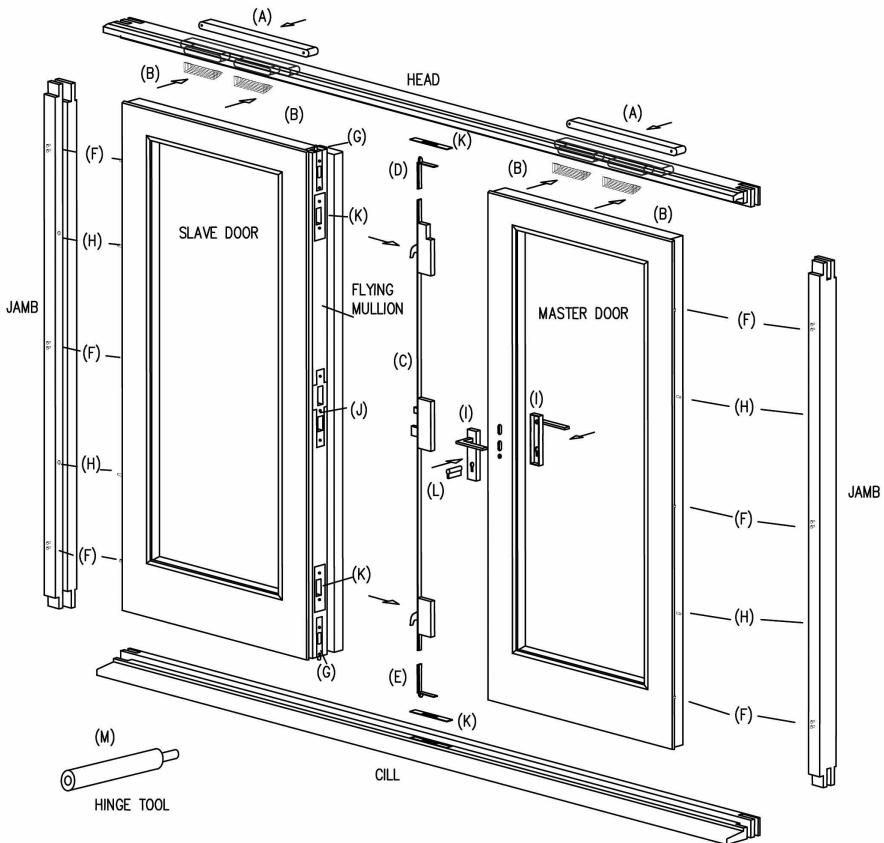
Check List

The hardware per door set is as follows:

2 off	(A)	Titon Vents
4 off	(B)	Grills
1 off	(C)	Espagnolette
1 off	(D)	Top Shoot Bolt
1 off	(E)	Bottom Shoot Bolt
6 off	(F)	3 Part Hinges
2 off	(G)	Shootbolts (Slave Doors)
4 off	(H)	Dead Bolts
1 off	(I)	Pair Handles
1 off	(J)	Universal Timber Centre Keep
4 off	(K)	Timber Keep (Hook)
1 off	(L)	Cylinder Lock
1 off	(M)	Hinge Tool
9 mtrs		Aquamac Gasket

Silver B2P Screws:

7g x 1 1/2" = 28	(Espagnolette, Hook Keeps, Centre Keeps)
7g x 1 1/2" = 8	(Shoot Bolt Keeps)
6g x 1 1/2" = 4	(Shoot Bolts G)
7g x 1 1/2" = 4	(Vents)



Fitting and Fixing Guidelines for

Rio French Doors

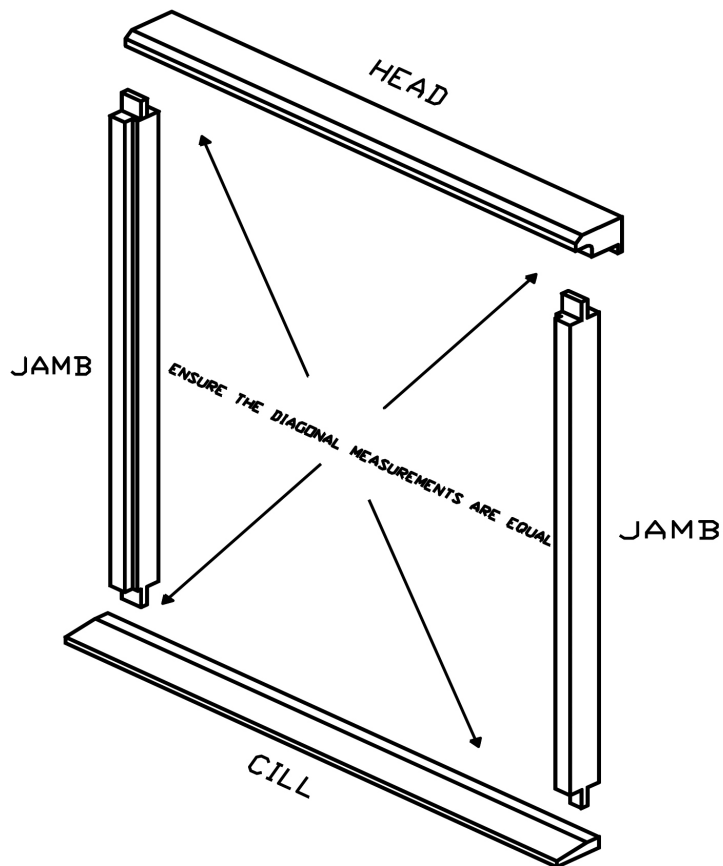
Frame Assembly

The frame is supplied pre-drilled for hinges, security bolts and pre-machined for the espagnolette and flush bolt keeps.

Assemble the frame on a level surface. Glue all comb joints with waterproof adhesive and screw through the joints with 2½" (65mm) or 3" (75mm)

woodscrews 10 gauge (not supplied). Check the frame is square and temporarily brace as necessary to ensure stability of the frame (See Fig 1).

Glue and screw all joints.

Fig. 1

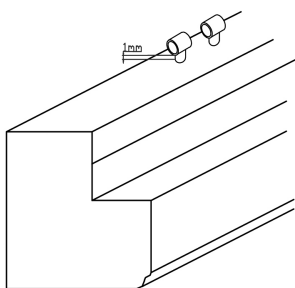
Letters in brackets refer to exploded drawing and checklist.

Prior to fitting the frame into the brickwork, fit the trickle vents and grills into the head of the frame.

The hinges should be fitted into the pre-drilled holes in the jamb (See Fig 2) using the hinge tool provided (M). Also tap in the deadbolt keeps (H) (See Fig 3) and screw in the top and bottom keeps (K).

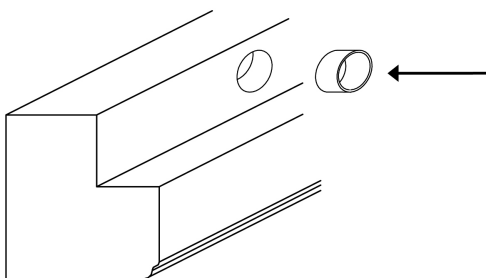
Hinges should be screwed into jamb to within 1mm of face as in Fig 2, using hinge tool provided.

Fig. 2



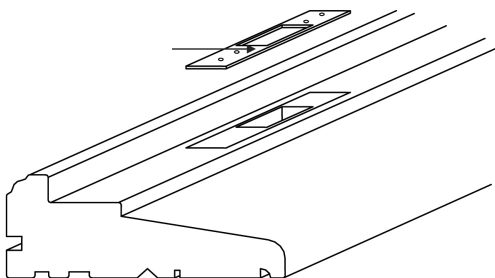
Tap deadbolt keeps in flush, or slightly below face of jamb rebate as in Fig 3.

Fig. 3



Top and bottom keeps must be fixed as in Fig 4.

Fig. 4



Fitting and Fixing Guidelines for

Rio French Doors

Installing the Frame

Prior to installing the frame, check the building structure for a secure fixing position. This is due to the weight of the finished door set. Then use a suitable fixing method (eg. frame fixings/ties).

Fixing of the frame and fitting of any dampproof course and bedding is the responsibility of the installer, and must be carried out as in normal building practice to prevent water penetration.

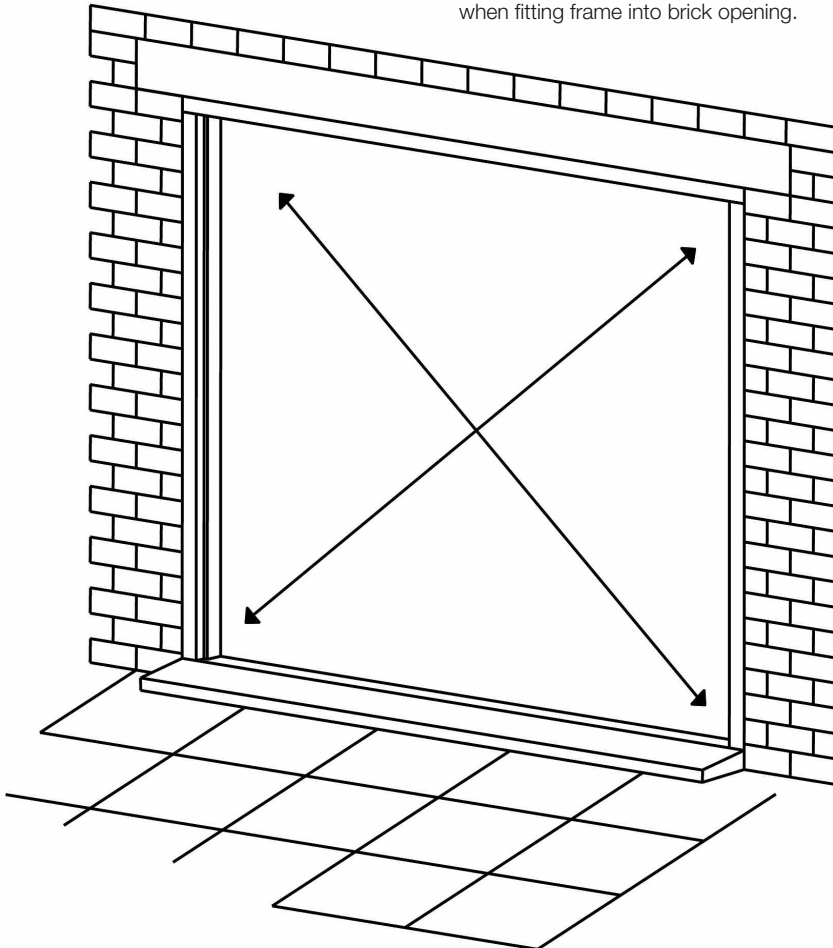
Jambs must be straight when fixed to the brickwork.

Build-in or fit the frame into the masonry opening ensuring that the cill is level and diagonal measurements equal (see Fig 5). Check the squareness of the frame and that the jambs are plumb.

*Frame should be set in the reveal to such an extent that the bevel on the head drip is level with the brickwork.

Fig. 5

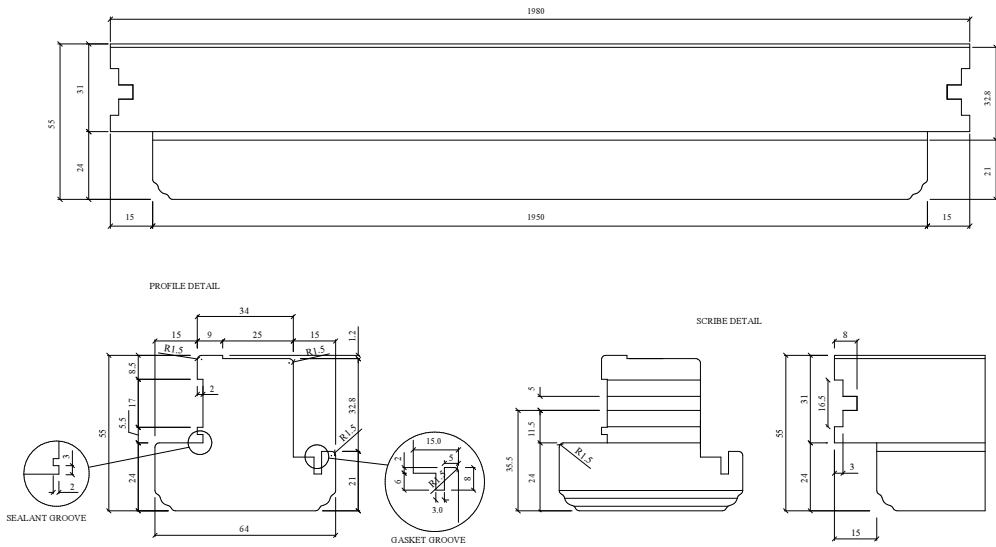
Ensure diagonal dimensions are equal when fitting frame into brick opening.



Fitting Flying Mullion

The flying mullion must be fitted to the slave door.
 The slave door can be identified by no pre-drilled holes for the handle to be fitted. Align the mullion with the top and bottom door rails and quick grip. Screw to fix in the counter sunk pre-drilled pilot holes.

Fig. 6



Fitting and Fixing Guidelines for

Rio French Doors

Hanging the Doors

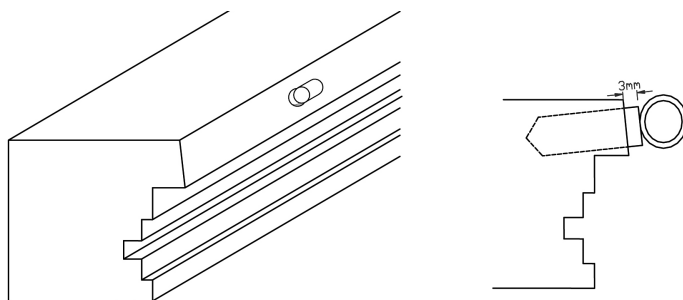
Taking the slave door first (identified by flying mullion attached), fit the hinges into the pre-drilled holes using the tool provided. Set the hinges at the correct depth (see Fig 7) and tap in the deadbolts to the required depth (see Fig 8).

Also fit the keeps for the espagnolette (K) and shootbolts (G) to the flying mullion (see Fig 9).

The centre part of the hinge is fitted to the door stile.

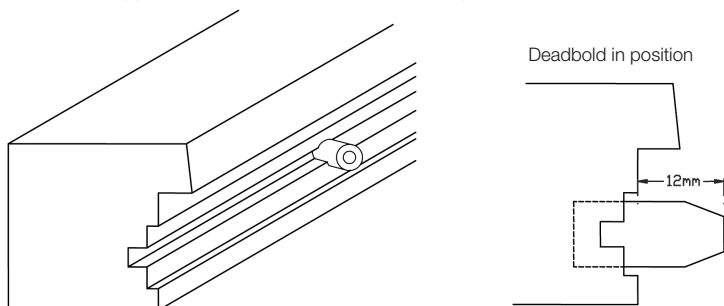
Hinges should be screwed into door within 3mm of face, as in Fig 7.

Fig. 7



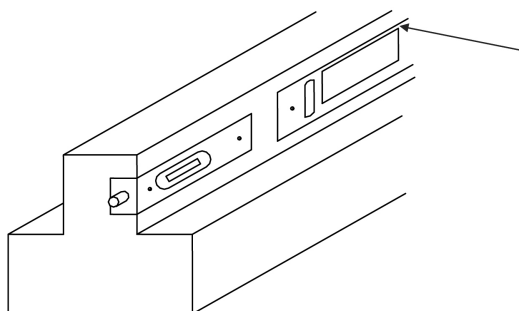
The deadbolt should be tapped into door stile to a minimum depth of 12mm, as shown in Fig 8.

Fig. 8



Hook keeps must be fixed as in Fig 9.

Fig. 9



With the three hinges fitted locate the door into the frame jamb: at this point you may require assistance in holding the door while the hinge pins are inserted into the hinges. Do not insert the hinge pins fully until satisfied the door is hung correctly. Once this is done, close the door and engage both top and bottom shootbolts (G) in position.

Take the master door and fit the hinges as per Slave door. To fit the espagnolette, stand the door on its edge and locate the centre of the lock (C) into the pre-machined mortice holes, setting the hook bolts to the retracted position. When fitting the top (D) and bottom (E) shootbolts, locate them with the

espagnolette ensuring they are in the retracted position (see Fig 10) and screw the assembled espagnolette to the door. Do not over-tighten screws. Fit door handles (I) and barrel lock (L) (See Fig 11) and test lock system. As with the slave door, locate the door into the frame, assembling the hinges.

Close the doors and engage the locking system to check its operation.

Finally trim and fit gasket to the frame and flying mullion.

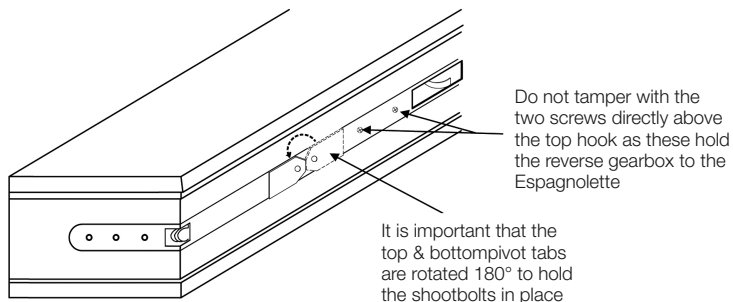
Where the gasket meets in the frame corners ensure it is notched and butted up correctly (See Fig 12).

When fitting espagnolette, ensure hook/shootbolts are in the fully retracted position as in Fig 10. Remember to fully insert the hinge pins when the doors are hung correctly.

Fig. 10

VERY IMPORTANT

Failure to do these operations will cause the locking mechanism to fail, and the doors will become in-operable



Handles to be fixed from inside as in Fig 11.

Fig. 11

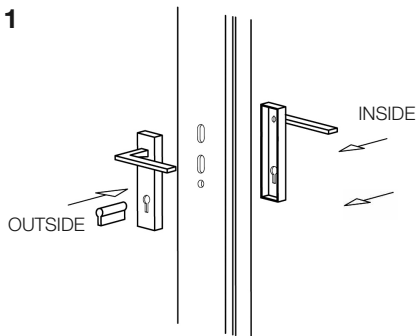
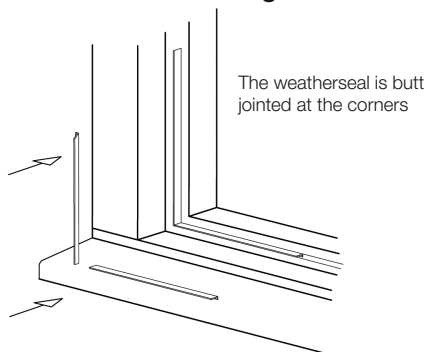


Fig. 12



JELD WEN®

WINDOWS & DOORS

To register under our priority guarantee scheme, please complete and return the form below. Registered installations will be given priority by our customer care team and no call-out charge will be made in the event of service calls. Any manufacturing defects will be repaired free of charge. Installation defects will be charged for parts and labour only.

1. Builder / Installer's name and address (if applicable)

2. Owner / occupier's name

3. Installation address

4. Date of installation

5. Did you understand the fitting instructions? Yes / No

6. Was the product decorated before installation / assembly? Yes / No

7. Were parts clearly identifiable and correct? Yes / No

If 'no' please give details: _____

8. Have you any comments to add? _____

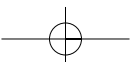
Thank you for your assistance. We trust you are pleased with your Hi Profile Combi Windows. This information is required for guarantee registration and product improvement only. It will not be passed to any third party. Your statutory rights are not affected.



Fitting and Fixing Guidelines for
Rio French Doors

Notes

A series of horizontal dotted lines providing space for notes.



Fitting and Fixing Guidelines for

Rio French Doors

JELD-WEN UK LTD
Snow Hill
Melton Mowbray
Leicester LE13 1PD

T: 01664 484500
F: 01664 484502

SS/MFD/JWG607/2K/ISSUE01/FEB2010

www.jeld-wen.co.uk