

RECORD POWER
ESTABLISHED 1909®

Original Instruction Manual

CX2000 Compact Dust & Chip Extractor

Version 3.0
August 2013



To register this product please visit
www.recordpower.info

It is important to register your product as soon as possible in order to receive efficient after sales support and be entitled to the full **5 year guarantee**. Your statutory rights are not affected. Please see back cover for contact details.



Always wear safety glasses when using woodworking equipment.



Always read the instructions provided before using woodworking equipment.



Important

For your safety read instructions carefully before assembling or using this product. Save this manual for future reference.



Contents








1. Explanation of Symbols
2. General Health & Safety Guidance
3. Additional Health & Safety for Chip Extractors
4. Record Power Guarantee
5. Getting to Know your Chip Collector
6. Specifications
7. Contents of the Package
8. Assembly
9. Operation
10. Maintenance
11. Troubleshooting
12. Electrical Connection & Wiring Diagram
13. Parts Diagram & Parts List








1. Explanation of Symbols

THE SYMBOLS AND THEIR MEANINGS SHOWN BELOW MAY BE USED THROUGHOUT THIS MANUAL. PLEASE ENSURE THAT YOU TAKE THE APPROPRIATE ACTION WHEREVER THE WARNINGS ARE USED.

Mandatory Instructions

-  Read and fully understand the instruction manual before attempting to use the machine.
-  Indicates an instruction that requires particular attention
-  Wear protective eyewear
-  Use respiratory protective equipment
-  Use hearing protection
-  Use suitable protective footwear
-  Use protective work gloves

Warning

-  Indicates a risk of severe personal injury or damage to the machine
-  Indicates a risk of severe personal injury from electrical shock
-  Risk of personal injury from lifting of heavy items
-  Indicates a risk of severe personal injury from airborne objects
-  Risk of fire

2. General Health & Safety Guidance

Ensure that you carefully read and fully understand the instructions in this manual before assembly, installation and use of this product. Keep these instructions in a safe place for future reference.

WARNING: for your own safety, do not attempt to operate this machine until it is completely assembled and installed according to these instructions.

WARNING: When using any machine, basic safety precautions should always be followed to reduce the risk of fire, electric shock and personal injury.

Safe Operation

1. Use Personal Protective Equipment (PPE)

- The operation of any machine can result in foreign objects being thrown into your eyes, which can result in severe eye damage. Protective eyewear or other suitable eye protection or face shield should be used at all times. Everyday spectacles only have impact resistant lenses. They are not protective eyewear and do not give additional lateral protection.
- Use respiratory protective equipment (dust mask etc.) if the machining operation creates dust. Exposure to high levels of dust created by machining hardwoods, softwoods and man made composite boards can result in serious health problems. Some imported hardwoods give off highly irritating dust, which can cause a burning sensation. The use of respiratory protective equipment should not be seen as an alternative to controlling the risk of exposure at source by using adequate dust extraction equipment.
- The use of ear plugs or ear defenders is recommended when the machine is in use, particularly if the noise level exceeds 85 dB.
- Wear suitable protective gloves when handling cutting tools or blades. Gloves should NOT be worn when using the machine as they can be caught in moving parts of the machine.
- Non-slip safety footwear is recommended when using the machine and handling large work pieces.

2. Dress appropriately

- Do not wear loose clothing, neckties or jewellery; they can be caught in moving parts of the machine.
- Roll up long sleeves above the elbow.
- Wear protective hair covering to contain long hair.

3. Safety warnings

- Find and read any warning labels on the machine.
- It is important that any labels bearing health and safety warnings are not removed, defaced or covered. Replacement labels can be obtained by contacting our Customer Service Department.

4. Familiarise yourself with the machine

- If you are not thoroughly familiar with the operation of this machine, obtain advice from your supervisor, instructor, or other qualified person or contact your retailer for information on training courses. Do not use this machine until adequate training has been undertaken.

5. Take care when moving or positioning the machine

- Some machines can be very heavy. Ensure the floor of the area in which the machine is to be used is capable of supporting the machine.
- The machine and its various components can be heavy. Always adopt a safe lifting technique and seek assistance when lifting heavy components. In some cases it may be necessary to use mechanical handling equipment to position the machine within the work area.
- Some machines have optional wheel kits available to allow them to be manoeuvred around the workshop as required. Care should be taken to install these according to the instructions provided.
- Due to the nature of the design of some machines the centre of gravity will be high making them unstable when moved. Extreme care should be taken when moving any machine.

6. The machine should be level and stable at all times

- When using a leg stand or cabinet base that is designed to be fitted to the machine, always ensure that it is securely fastened to the machine using the fixings provided.

- If the machine is suitable to be used on a workbench, ensure that the workbench is well constructed and capable of withstanding the weight of the machine. The machine should always be securely fastened to the workbench with appropriate fixings.
- Where possible, floor standing machines should always be secured to the floor with fixings appropriate to the structure of the floor.
- The floor surface should be sound and level. All of the feet of the machine should make contact with the floor surface. If they do not, either re-locate the machine to a more suitable position or use packing shims between the feet and the floor surface to ensure the machine is stable.

7. Remove adjusting keys and wrenches

- Ensure that all adjusting wrenches and keys are removed before switching the machine 'ON'. There is a risk of severe personal injury or damage to the machine from airborne objects.

8. Before switching the machine 'ON'

- Clear the machine table of all objects (tools, scrap pieces etc.)
- Make sure there is no debris between the work piece and the table / work support.
- Ensure that the work piece is not pressed against, or touching the saw blade or cutting tool.
- Check all clamps, work holding devices and fences to ensure that they are secure and cannot move during machining operations.
- Plan the way that you will hold and feed the work piece for the entire machining operation.

9. Whilst machining

- Before starting work, watch the machine while it runs. If it makes an unfamiliar noise or vibrates excessively, switch the machine 'OFF' immediately and disconnect it from the power supply. Do not restart until finding and correcting the source of the problem.

10. Keep the work area clear

- Working clearances can be thought of as the distances between machines and obstacles that allow safe operation of every machine without limitation. Consider existing and anticipated machine needs, size of material to be processed through each machine and space for auxiliary stands and/or work tables. Also consider the relative position of each machine to one another for efficient material handling. Be sure to allow yourself sufficient room to safely operate your machines in any foreseeable operation.
- Cluttered work areas and benches create the risk of accidents. Keep benches clear and tidy away tools that are not in use.
- Ensure that the floor area is kept clean and clear of any dust and debris that may create trip or slip hazards.

11. Consider the work area environment

- Do not expose the machine to rain or damp conditions.
- Keep the work area well lit and ensure that there is artificial lighting available when there is insufficient natural light to effectively light the work area. Lighting should be bright enough to eliminate shadow and prevent eye strain.
- Do not use the machine in explosive environments eg. in the presence of flammable liquids, gases or dust.
- The presence of high levels of dust created by machining wood can present a risk of fire or explosion. Always use dust extraction equipment to minimise the risk.

12. Keep other persons away (and pets)

- The machine is designed to be used by one person only.
- Do not let persons, especially children, touch the machine or extension cable (if used) and keep visitors away from the work area.
- Never leave the machine running unattended. Turn the power supply off and do not leave the machine unattended until it comes to a complete stop.
- If the work area is to be left unattended, all machinery should be switched 'OFF' and isolated from the mains power supply.

13. Store machines safely when not in use

- When not in use, machines should be stored in a dry place, out of reach

2. General Health & Safety Guidance - cont.

of children. Do not allow persons unfamiliar with these instructions or with the machine to operate it.

14. Do not overreach

- Choose a working position that allows your body to remain balanced and feed the work piece in to the machine without overreaching.
- Keep proper footing and balance at all times.

15. Electrical supply

- Electrical circuits should be dedicated to each machine or large enough to handle combined motor amp loads. Power outlets should be located near each machine so that power or extension cables are not obstructing high-traffic areas. Observe local electrical guidelines for proper installation of new lighting, power outlets, or circuits.
- The machine must be connected to an earthed power supply.
- The power supply must be equipped with a circuit breaker that provides short circuit, overload and earth leakage protection.
- The voltage of the machine must correspond to the voltage of the mains power supply.
- The mains plug fitted to the machine should always match the power outlet. Do not modify the plug in any way. If a replacement plug is required it should be fitted by a competent person and of the correct type and rating for the machine.
- If you are unsure about any electrical connections always consult a qualified electrician.

16. Avoid unintentional starting of the machine

- Most machines are fitted with a no-volt release (NVR) switch to prevent unintentional starting. If in doubt always ensure the machine switch is in the 'OFF' position before connecting it to the power supply. This means the machine will not automatically start up after a power cut or switching on of the power supply, unless you first reset the start switch.

17. Outdoor use

- Your machine should not be used outdoors.

18. Extension cables

- Whenever possible, the use of extension cables is not recommended. If the use of an extension cable is unavoidable, then it should have a minimum core cross section of 2.5 mm² and limited to a maximum length of 3 metres.
- Extension cables should be routed away from the direct working area to prevent a trip hazard.

19. Guard against electric shock

- Avoid body contact with earthed or grounded surfaces such as pipes and radiators. There is an increased risk of electric shock if your body is earthed or grounded.

20. Always work within the machine's intended capacities

- Operator safety and machine performance are seriously adversely affected if attempts to make the machine perform beyond its limits are made.

21. Do not abuse the power cable

- Never pull the power cable to disconnect it from the power socket. Always use the plug.
- Keep the power cable away from heat, oil and sharp edges.
- Do not use the power cable for carrying or moving the machine.

22. Secure the work piece

- Ensure that the work piece is securely held before starting to machine it.
- When working within 300 mm of the machining area, always use a push stick to feed the work piece in to the blade or cutting tool. The push stick should have a minimum length of 400 mm. If the push stick becomes damaged, replace it immediately.
- Use extra supports (roller support stands etc.) for any work pieces large enough to tip when not held down to the table top.
- Do not use another person as a substitute for a table extension, or as additional support for a work piece that is longer or wider than the basic table, or to help feed, support, or pull the work piece.
- Do not attempt to machine more than one work piece at a time.

- When feeding the work piece towards the blade or cutting tool never position your hands in direct line of the cutting path. Avoid awkward operations and hand positions where a sudden slip could cause your hand or fingers to move into the machining area.

23. Stay alert

- Safety is a combination of operator common sense and alertness at all times when the machine is being used.
- Use all machines with extreme care and do not use the machine when you are tired or under the influence of drugs, alcohol or medication.

24. Use the correct tool for the job

- Do not use the machine for any purpose other than which it was designed.
- When selecting replacement cutting tools and blades, always ensure that they are designed to cut the material that you intend to use them for. If in any doubt seek further advice from the manufacturer.

25. Connect dust extraction equipment

- Always use dust extraction equipment. The dust extractor should be of suitable size and capacity for the machine that it is connected to and have a filtration level appropriate to the type of waste being collected. Refer to the relevant section of the manual for details of the specific dust extraction requirements for this machine.
- The dust extractor should be switched 'ON' before starting the machine that it is connected to. The dust extractor should be left running for 30 seconds after the last machining operation is complete in order to clear any residual waste from the machine.

26. Ensure that the machine is correctly guarded

- Never use the machine if any of the standard safety guards and equipment are removed or damaged.
- Some machines incorporate safety interlocks to prevent the machine from being used without the guards in place. Never attempt to bypass or modify the interlocks to allow the machine to be used without the guards in place.

27. Maintain your machine with care

- This manual gives clear instructions on installation, set up and operation of the machine and also details any routine and preventative maintenance that should be performed periodically by the user.
- Remember always to switch off and unplug the machine from the power supply before carrying out any setting up or maintenance operations.
- Follow any instructions for the maintenance of accessories and consumables.
- Do not use compressed air to clean the machine. Always use a brush to dislodge dust in places that are awkward to reach and a dust extractor to collect the waste.
- Inspect electric cables periodically and, if damaged, have them replaced by an authorised service facility or qualified electrician.
- Inspect extension cables (if used) periodically and replace if damaged.

28. Keep cutting tools sharp and clean

- Correctly maintained cutting tools are easier to control and less likely to bind.
- Cutting tools and blades can become hot during use. Take extreme care when handling them and always allow them to cool before changing, adjusting or sharpening them.

29. Disconnect the machine from the power supply

- When not in use, before servicing, changing blades etc. always disconnect the machine from the power supply.

30. Check for damaged parts

- Before each use of the machine, it should be carefully checked to determine that it will operate properly and perform its intended function.
- Check for alignment of moving parts, binding of moving parts, breakage of parts and any other conditions that may affect the operation of the machine.

2. General Health & Safety Guidance - cont.

- A guard or other part that is damaged should be properly repaired or replaced by a qualified person unless otherwise indicated in this instruction manual.
- Do not use the machine if the switch does not turn the machine 'ON' and 'OFF'.
- Have defective switches replaced by a qualified person.

31. Warning!

- The use of any accessory or attachment, other than those recommended in this instruction manual, or recommended by our Company may present a risk of personal injury or damage to the machine and invalidation of the warranty.

32. Have your machine repaired by a qualified person

- This machine complies with the relevant safety rules and standards appropriate to its type when used in accordance with these instructions and with all of the standard safety guards and equipment in place. Only qualified persons using original spare parts should carry out repairs. Failure to do this may result in considerable danger to the user and invalidation of warranty.

33. Caution! Motor may become hot during use

- It is normal for motors on some machines to become hot to the touch during use. Avoid touching the motor directly when in use.

3. Additional Health & Safety Guidance for Chip Extractors

1. Safe Operation

- The chip extractor should be level and stable at all times
- Never attempt use the machine unless it is attached to the floor stand.
- Ensure that there is no debris between the base of the extractor and the floor.
- Never place the dust extractor on a raised surface or workbench.
- In all cases, position the dust extractor as close as possible to the application it is to be used for.
- Never over stretch the hose to make it reach.

2. Familiarise yourself with the machine

- If you are not thoroughly familiar with chip extractors, be aware of the inherent risks due to the way in which these machines work. There are moving parts inside the machine that can cause serious injury. Always strictly follow any safety instructions detailed in the manual when using, emptying or servicing the machine.

3. Before switching the machine 'ON':

- Ensure that the switch of the machine is in the 'OFF' position before connecting or disconnecting the power supply.
- Ensure that the extraction hose is securely fitted to the outlet of the dust extractor.
- Always ensure that the filter bag (or optional filter cartridge) and the collection bag are securely and correctly positioned and not damaged. Replace any damaged bags or filters immediately. Always ensure a good seal between the filter and body of the machine.

4. Whilst using the chip extractor:

- Do not completely cover the end of the extraction hose as the machine will not function correctly.
- Do not reduce the diameter of the extraction hose as this will affect the performance of the machine.
- Do not attempt to remove the filter or collection bag whilst the machine is running.
- Do not attempt to use the chip extractor without the extraction hose fitted to the inlet on the body of the machine.
- This product is for dry use only and should not be used or stored outdoors or in wet conditions.
- All Record Power chip extractors are designed solely for use with wood dust and chippings. Do not use the machine to remove vapours, fumes, gases or other materials such as plaster dust, as there is a risk of combustion. Doing so will invalidate the warranty and may result in damage to the machine or serious injury to the user.

- Do not use the machine to pick up hazardous dust.
- Do not pick up liquids and scrap metal (such as nails and filings) or any combustible substance.
- If the hose becomes blocked, switch the machine 'OFF' immediately to prevent any damage to the machine and disconnect from the power supply before removing the blockage. Note that the impeller fan will continue to rotate for several seconds after the machine has been switched 'OFF'.
- Never attempt to place your hand inside the hose or inlet of the dust extractor whilst it is running.
- Ensure that the machine is used in a well ventilated area.

5. Avoiding fires:

- Wood dust is combustible and when suspended in the air, it may form a cloud which can explode if the air concentration is higher than 40g/m³.
- Sparks can smolder in dust for a long time before fire or flame is detected. If metal contacts metal during operation, immediately switch the machine 'OFF', disconnect the power cable from the mains supply and wait for the motor to come to a complete stop. Empty the dust into an approved air tight metal container in case of spark. Remedy the metal to metal contact problem before resuming operation.
- Do not operate the dust extractor in environments containing explosive risks, such as pilot lights, open flames, vapours, gases or high levels of airborne dust.

6. Maintenance:

- Always switch the machine 'OFF', disconnect from the power supply and wait until the motor has completely stopped before carrying out any routine maintenance such as emptying waste or replacing filters.
- When carrying out any routine maintenance, keep your hands away from the fan blade within the body of the machine.

7. The elimination or control of risks from wood dust is required by the 'Health & Safety at Work etc. Act 1974', the 'Provision & Use of Work Equipment Regulations 1998' and the 'Control of Substances Hazardous to Health (COSHH) Regulations 2002'. We recommend that you study and follow these regulations.

Further guidance can be obtained from The Health & Safety Executive and their website www.hse.gov.uk.

4. Record Power Guarantee

"Products" means the Products sold by Record Power subject to these terms and conditions;

"Record Power" is Record Power Limited, whose company registration number is 4804158 and registered office address is Centenary House, 11 Midland Way, Barlborough Links, Chesterfield, Derbyshire, S43 4XA and sells through a network of Authorised Dealers;

"Authorised Distributor" is the nominated importer for your region who will generally sell through a network of Authorised Dealers. Details of Authorised Distributors for specific countries can be found in the Product manual or at www.recordpower.info;

"Authorised Dealer" is a retailer or business authorised to sell Record Power Products to end users.

1 Guarantee

- 1.1 Record Power guarantees that for a period of 5 years from the date of purchase the components of qualifying Products (see clauses 1.2.1 to 1.2.9) will be free from defects caused by faulty construction or manufacture.
- 1.2 During this period Record Power, its Authorised Distributor or Authorised Dealer will repair or replace free of charge any parts which are proved to be faulty in accordance with paragraphs 1.1 above provided that:
 - 1.2.1 you follow the claims procedure set out in clause 2 below;
 - 1.2.2 Record Power, our Authorised Distributor or Authorised Dealer are given a reasonable opportunity after receiving notice of the claim to examine the Product;
 - 1.2.3 if asked to do so by Record Power, its Authorised Distributor or Authorised Dealer, you return the Product, at your own cost, to Record Power's premises or other approved premises such as those of the Authorised Distributor or supplying Authorised Dealer, for the examination to take place;
 - 1.2.4 the fault in question is not caused by industrial use, accidental damage, fair wear and tear, wilful damage, neglect, incorrect electrical connection, abnormal working conditions, failure to follow our instructions, misuse, or alteration or repair of the Product without our approval;
 - 1.2.5 the Product has been used in a domestic environment only;
 - 1.2.6 the fault does not relate to consumable Products such as blades, bearings, drive belts or other wearing parts which can reasonably be expected to wear at different rates depending on usage (for full details contact Record Power or your local Authorised Distributor);
 - 1.2.7 the Product has not been used for hire purposes, by you or by a previous owner;
 - 1.2.8 the Product has been purchased by you as the guarantee is not transferable from a private sale.
 - 1.2.9 where the Product has been purchased from a retailer, the 5 year guarantee is transferable and begins on the date of the first purchase of the Product and in the event of a claim under this guarantee proof of the original purchase date will be required to validate the warranty period.

2 Claims Procedure

- 2.1 In the first instance please contact the Authorised Dealer who supplied the Product to you. In our experience many initial problems with machines that are thought to be due to faulty parts are actually solved by correct setting up or adjustment of the machines. A good Authorised Dealer should be able to resolve the majority of these issues much more quickly than processing a claim under the guarantee.
- 2.2 Any damage to the Product resulting in a potential claim under the guarantee must be reported to the Authorised Dealer from which it was purchased within 48 hours of receipt.
- 2.3 If the Authorised Dealer who supplied the Product to you has been unable to satisfy your query, any claim made under this Guarantee should be made directly to Record Power or its Authorised Distributor (for details of the Authorised Distributor in your country please see your Product manual or check www.recordpower.info for details). The claim itself should be made in a letter setting out the date and place of purchase, and giving a brief explanation of the problem which has led to the claim. This letter should then be sent with proof of the purchase date (preferably a receipt) to Record Power or its Authorised Distributor. If you include a phone number or email address this will help to speed up your claim.
- 2.4 Please note that it is essential that the letter of claim reaches Record Power or its Authorised Distributor on the last day of this Guarantee at the latest. Late claims will not be considered.

3 Limitation of Liability

- 3.1 We only supply Products for domestic and private use. You agree not to use the Product for any commercial, business or re-sale purposes and we have no liability to you for any loss of profit, loss of business, business interruption or loss of business opportunity.
- 3.2 This Guarantee does not confer any rights other than those expressly set out above and does not cover any claims for consequential loss or damage. This Guarantee is offered as an extra benefit and does not affect your statutory rights as a consumer.

4 Notice

This Guarantee applies to all Products purchased from an Authorised Dealer of Record Power within the United Kingdom of Great Britain and Northern Ireland. Terms of Guarantee may vary in other countries – please check with the Authorised Distributor in your country (details of the Authorised Distributor for your country can be found in the manual or at www.recordpower.info).

5. Getting to Know your Chip Collector



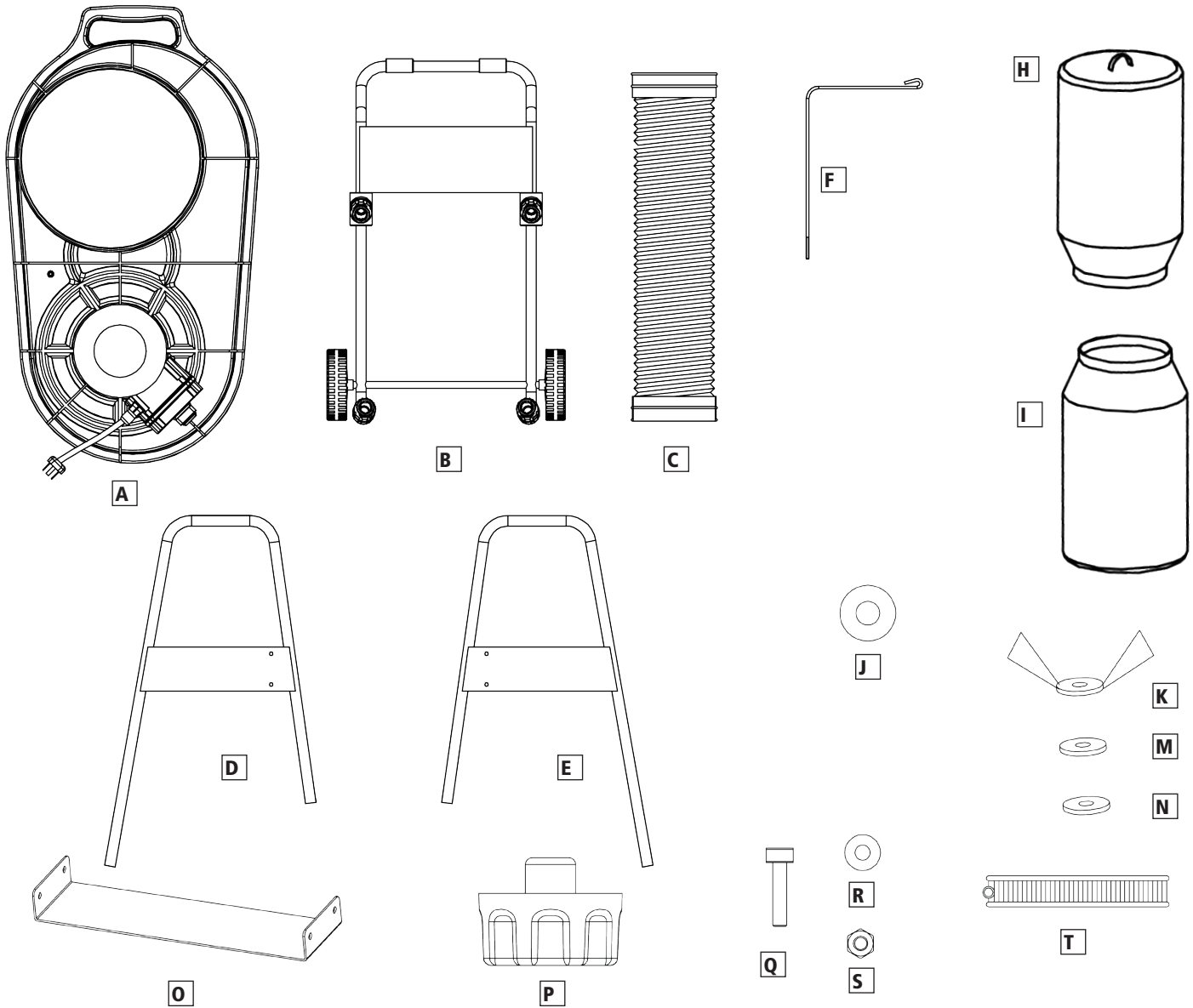
- | | | | |
|---|-------------------|---|-----------------|
| A | Filter bag | E | On / off switch |
| B | Collection bag | F | Bag support arm |
| C | Inspection window | G | Wheels |
| D | Motor | H | Handle |

6. Machine Specification

Capacity:	54 litres
Size:	H1520 x W370 x D670 mm
Motor:	230 V / 50 Hz / 550 W / 3/4 hp
Full load current:	2.4 A
Weight:	15 kg
Filtration:	30 micron
Air flow:	500 CFM

7. Contents of the Package

On unpacking please check that all contents shown below are present.

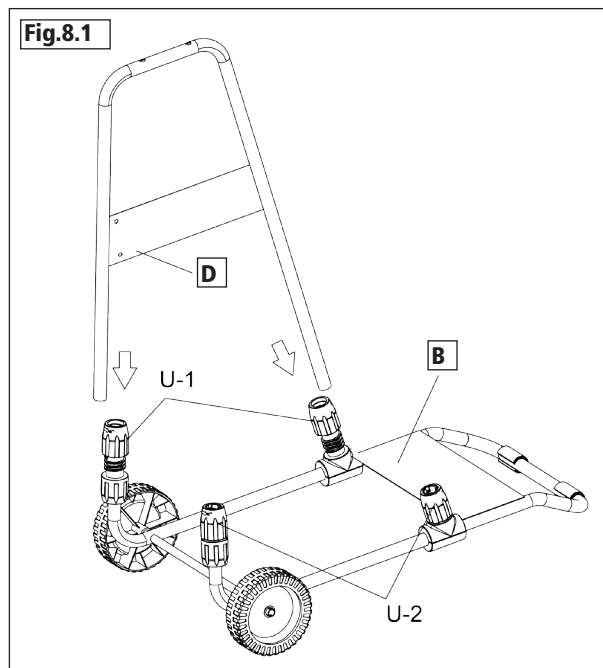


- | | | | | |
|---|-------------------|---|-----------------------|------|
| A | Motor and Housing | K | Butterfly Nut | |
| B | Frame Base | M | Spring Washer | |
| C | Extraction hose | N | Flat Washer | |
| D | Left Frame | O | Support Plate | |
| E | Right Frame | P | Knob | 4pcs |
| F | Bag support arm | Q | Socket head cap screw | 4pcs |
| H | Filter bag | R | Flat washer | 4pcs |
| I | Collection Bag | S | Nylon locking nut | 4pcs |
| J | Washer | T | hose pipe clip | |

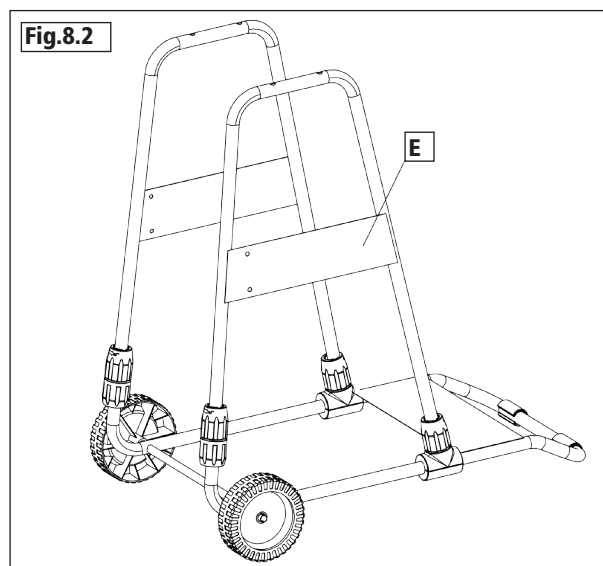
8. Assembly

1. Fully unscrew the tube joint covers on the left side of the frame base, leaving them in place on the tube joint base.

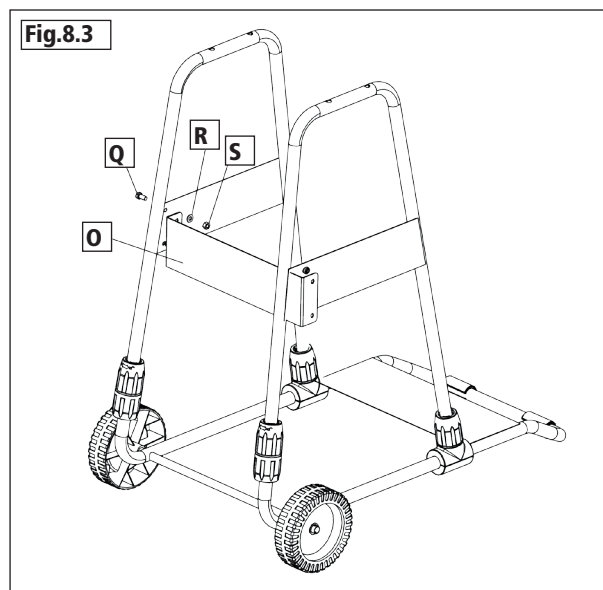
2. Place the left frame (D) through the tube joints into the base (B), ensuring the longest section is towards the front of the base, Fig 8.1.



3. Repeat as above to fit the right frame (E) to the base (B), Fig 8.2.

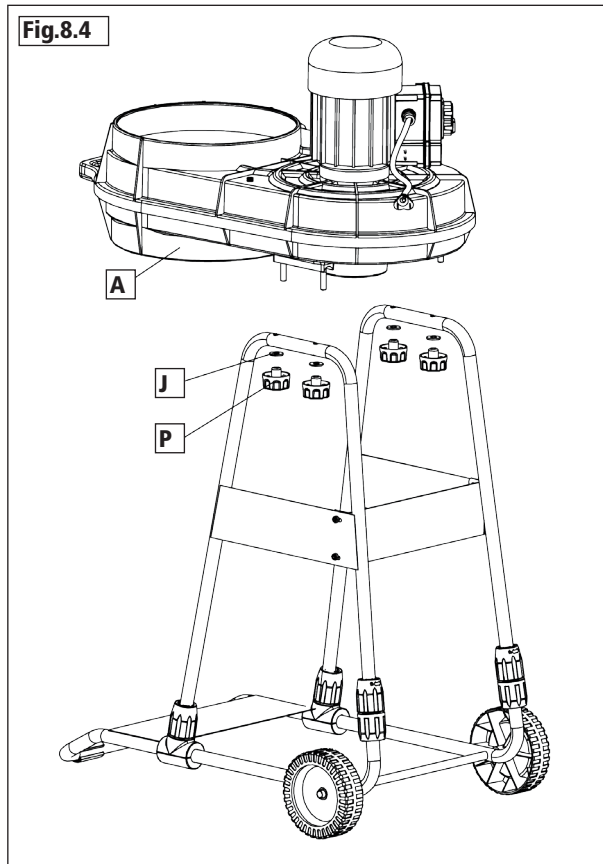


4. Position the support plate (O) as fig 5 and lock in place with socket head cap screws (Q), washers (R) and nylon locking nuts (S). Ensure the frame is assembled correctly, then tighten. Fig 8.3.

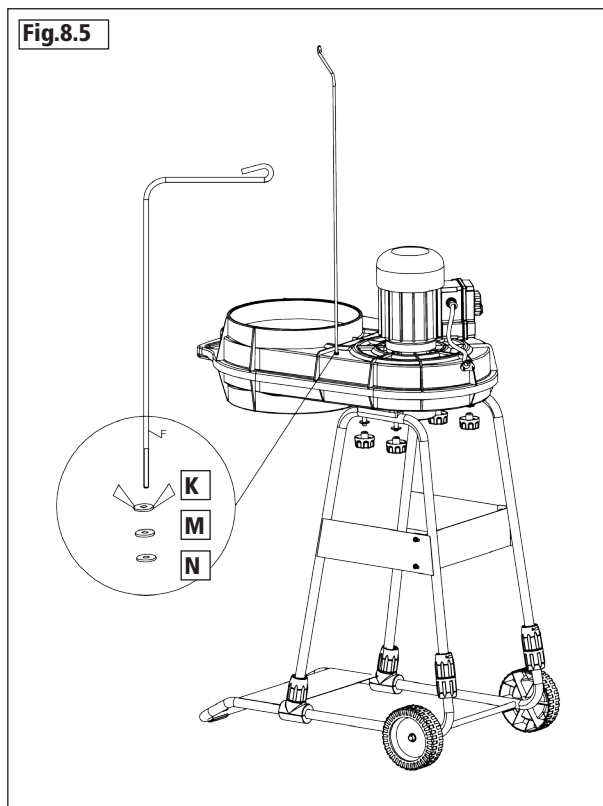


8. Assembly - cont.

5. Position the motor and housing (A) on top of the frame with the four threaded studs passing through the corresponding holes on top of the frame. Secure in position using the knobs (P) and washers (J). See flg 8.4.



6. Thread the butterfly nut (K) onto the bag support arm. Place the spring washer (M) and washer (N) on the bag support arm and screw the bag support arm to the motor and housing, Fig 8.5. Lock the arm in position using the butterfly nut.

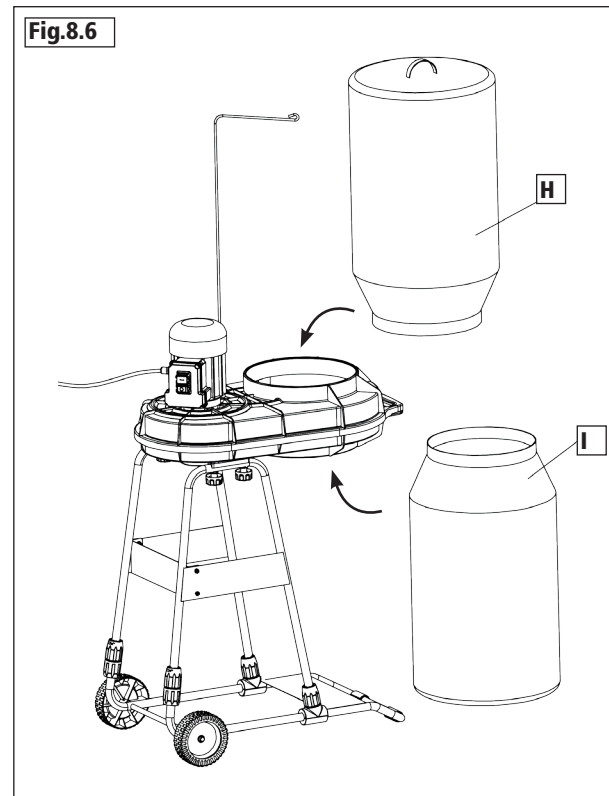


8. Assembly - cont.

7. Take the filter bag and insert it through the hole in the motor and housing, ensuring the closed end is uppermost. The supporting collar which is sewn into the open end of the filter bag should fit snugly inside the upper rim of the motor and housing, holding the filter bag in place, see Fig 8.6. Now attach the loop on the closed end of the filter bag through the loop on the bag support arm.

8. Fit the collection bag into the motor and housing, ensuring the supporting collar is fitted into the lower rim and the inspection window faces outwards to give good visibility.

9. Finally, attach the 100 mm diameter extraction hose to the inlet on the underside of the motor and housing (directly beneath the motor) using the hose clip.





9. Operation



PLEASE NOTE: This chip collector is intended for use with woodworking machinery only to collect wood chippings and dust. If used to collect other kinds of waste, the warranty will not be valid.

Ensure the extraction hose is securely connected to the chip extractor and to the machine from which waste is to be collected.

Always leave the chip extractor running for a short while after use of the machinery. This will ensure all waste is extracted from the machinery and the extraction hose.

Empty the contents of the collection bag when it is within 100 mm (4") one the top of the bag.



PLEASE NOTE: The use of reducers to limit the diameter of the collection hose will severely reduce the suction of this type of machine.



10. Maintenance



WARNING: Unplug the machine from the power source before carrying out any maintenance.

To ensure maximum efficiency, regularly clean the filter bag by shaking it to remove any dust which has collected on its surface.

Large chippings and shavings can block the inlet. With the machine turned off and unplugged from the power source, regularly check the inlet for blockages and remove. Never place hands into the inlet.

11. Trouble Shooting



WARNING: Unplug the machine from the power source before carrying out any maintenance.

Symptom	Possible Causes	Solutions
Machine will not start.	<ol style="list-style-type: none">1. No power supply.2. Defective switch.3. Faulty fuse.	<ol style="list-style-type: none">1. Check the power cable and fuse.2. Replace the switch.3. Replace the fuse.
Machine loses suction.	<ol style="list-style-type: none">1. Blocked hose.2. Blocked inlet.3. Hose diameter reducer being used.	<ol style="list-style-type: none">1. Remove the hose from the machine and unblock.2. Remove the collection bag and carefully unblock the inlet using a suitable tool.3. Remove the reducer.

12. Electrical Connection & Wiring Diagram

Machines supplied for use in the UK are fitted with a 3 pin plug conforming to BS1363, fitted with a fuse conforming to BS1362 and appropriate to the current rating of the machine.

Machines supplied for use in other countries within the European Union are fitted with a 2 pin Schuko plug conforming to CEE 7/7.

Machines supplied for use in Australia & New Zealand are fitted with a 3 pin plug conforming to AS/NZS3112.

In all cases, if the original plug or connector has to be replaced for any reason, the wires within the mains power cable are colour coded as follows:

230 V (Single Phase)

Brown: Live (L)
 Blue: Neutral (N)
 Green and Yellow: Earth (E)

The wire coloured brown must always be connected to the terminal marked 'L' or coloured red.

The wire coloured blue must always be connected to the terminal marked 'N' or coloured black.

The wire coloured green and yellow must always be connected to the terminal marked 'E' or with the earth symbol:



or coloured green / green and yellow.

It is important that the machine is effectively earthed. Some machines will be clearly marked with the double insulated logo:



In this case there will not be an earth wire within the circuit.

In the case of the BS1363 plug for use in the UK, always ensure that it is fitted with a fuse conforming to BS1362 appropriate to the rating of the

machine. If replacing the original fuse, always fit a fuse of equivalent rating to the original. Never fit a fuse of a higher rating than the original. Never modify the fuse or fuse holder to accept fuses of a different type or size.

Where the current rating of the machine exceeds 13 A at 230 V, or if the machine is designated for use on a 400 V 3 phase supply a connector conforming to BS4343 (CEE17 / IEC60309) will be used.

230 V machines will be fitted with a blue 3 pin connector. The wiring for this type of this connector will be the same as shown above.

400 V, 3 phase machines will be fitted with a red 4 or 5 pin connector. The wiring for this type of connector is as shown below:

400 V (3 phase)

Brown: Live (L1)
 Black: Live (L2)
 Grey: Live (L3)
 Blue: Neutral (N)
 Green and Yellow: Earth (E)

The wire coloured brown must always be connected to the terminal marked 'L1'.

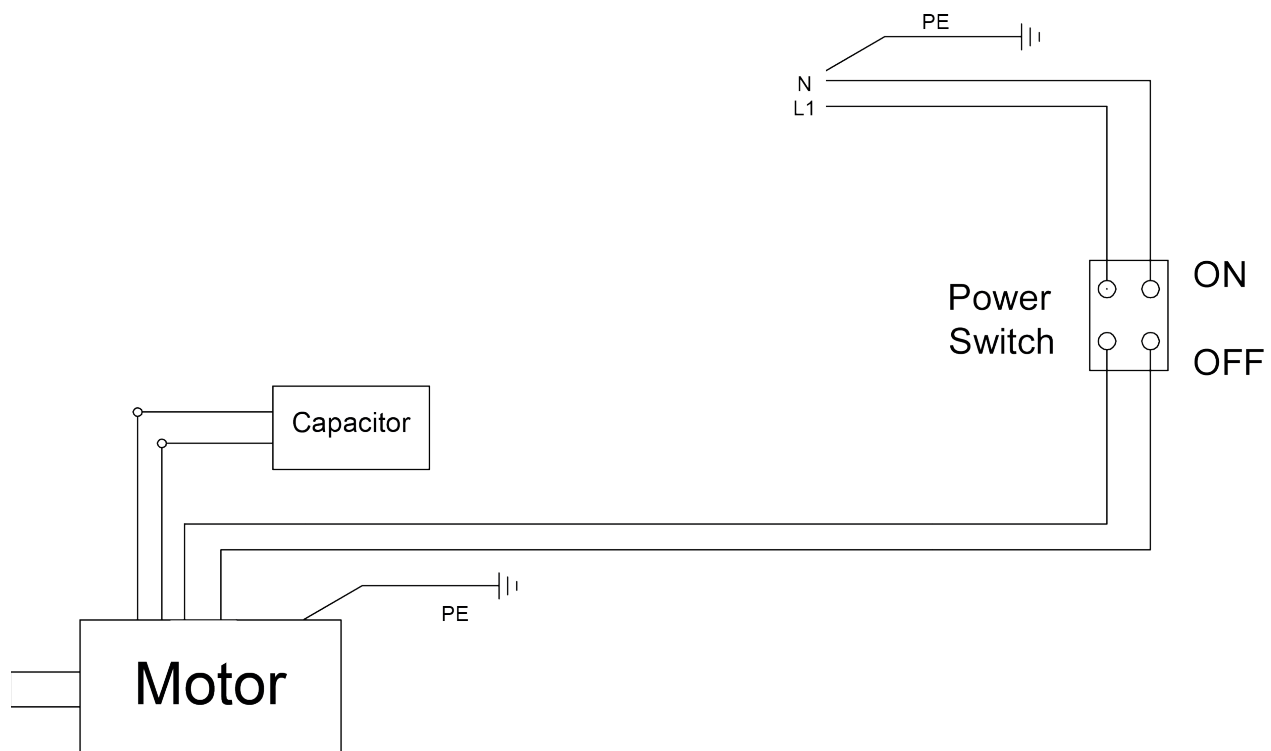
The wire coloured black must always be fitted to the terminal marked 'L2'.

The wire coloured grey must always be connected to the terminal marked 'L3'.

The wire coloured blue must always be connected to the terminal marked 'N' or coloured black.

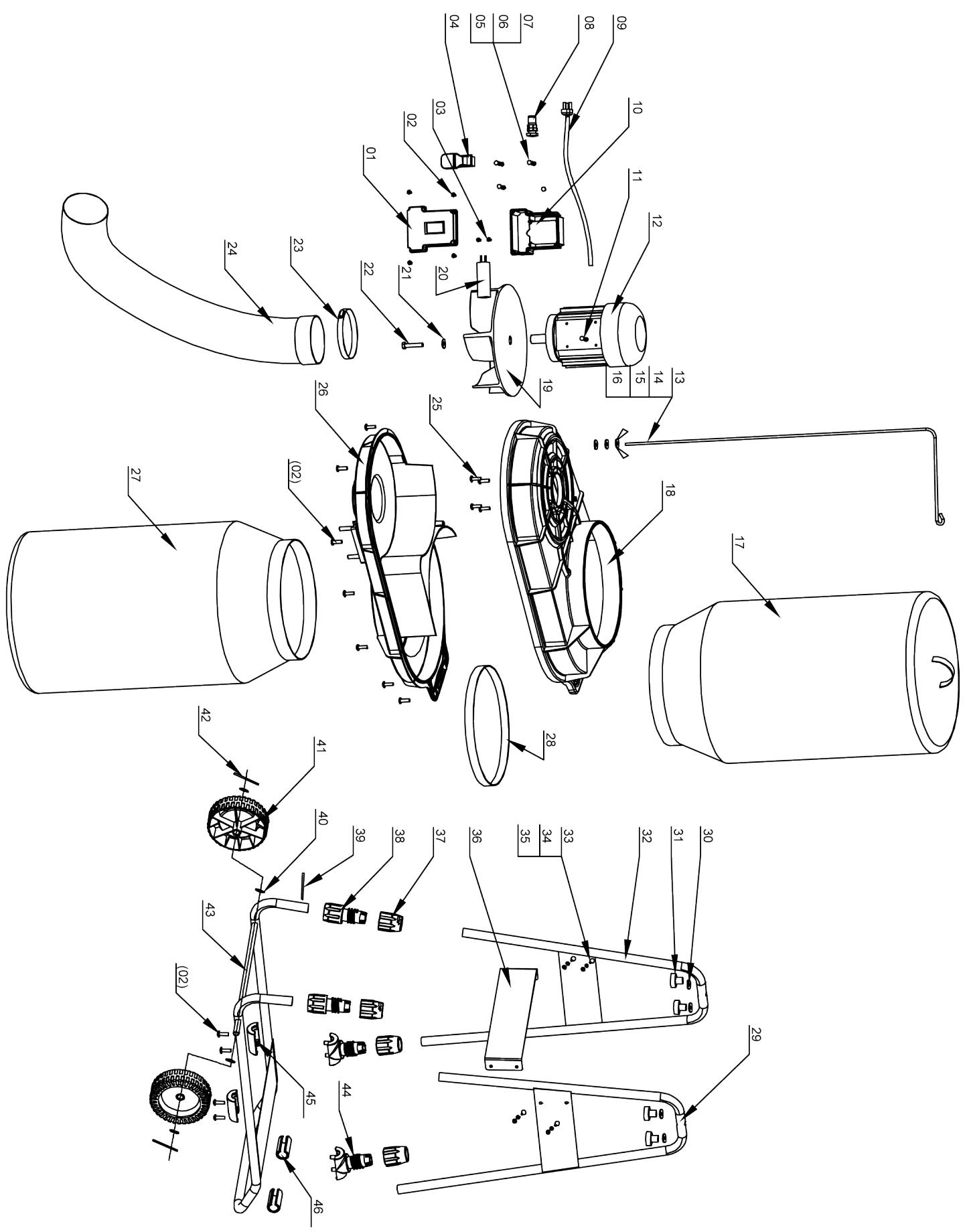
The wire coloured green and yellow must always be connected to the terminal marked 'E' or with the earth symbol

If in doubt about the connection of the electrical supply, always consult a qualified electrician.





13. Parts Diagrams



14. Parts List

Ref No.	Description	Ref No.	Description
1	Switch Box Cover	24	100mm Hose
2	Tapping Screw	25	Pan Head Screw
3	Wire nut	26	Lower Housing
4	Power Switch	27	Collection Bag
5	Washer	29	Right Frame
6	Spring Washer	30	Washer
7	Pan Head Screw	31	Knob
8	Strain Relief	32	Left Frame
9	Power Cord	33	Socket Head Cap Screws
10	Switch Box	34	Washer
11	tooth washer	35	Nylock Nut
12	Motor	36	Support Plate
13	Bag Support Arm	37	Tube Joint Cover
14	Washer	38	Tube Joint Base
15	Spring Washer	39	Spring Pin
16	Butterfly Nut	40	Washer
17	Filter Bag	41	Wheel
18	Motor and Housing	42	Pin
19	Impeller	43	Frame Base
20	Capacitor	44	L Joint Tube Base
21	Washer	43	L Joint Tube Cover
22	Bolt-L	46	Tube Pad
23	100mm Hose clip		



EU Declaration of Conformity

Cert No: EU / CX2000 / 1

RECORD POWER LIMITED,
Centenary House, 11 Midland Way,
Barlborough Links, Chesterfield,
Derbyshire, S43 4XA

declares that the machinery described:-

- 1. Type: **Dust Collector**
- 2. Model No: **CX2000**
- 3. Serial No

Conforms with the following directives:-

MACHINERY DIRECTIVE (repealing / replacing Directives)	2006/42/EC
---	------------

LOW VOLTAGE DIRECTIVE and its subsequent amendment	2006/95/EC
---	------------

ELECTROMAGNETIC COMPATIBILITY DIRECTIVE and its subsequent amendments	2004/108/EC
---	-------------

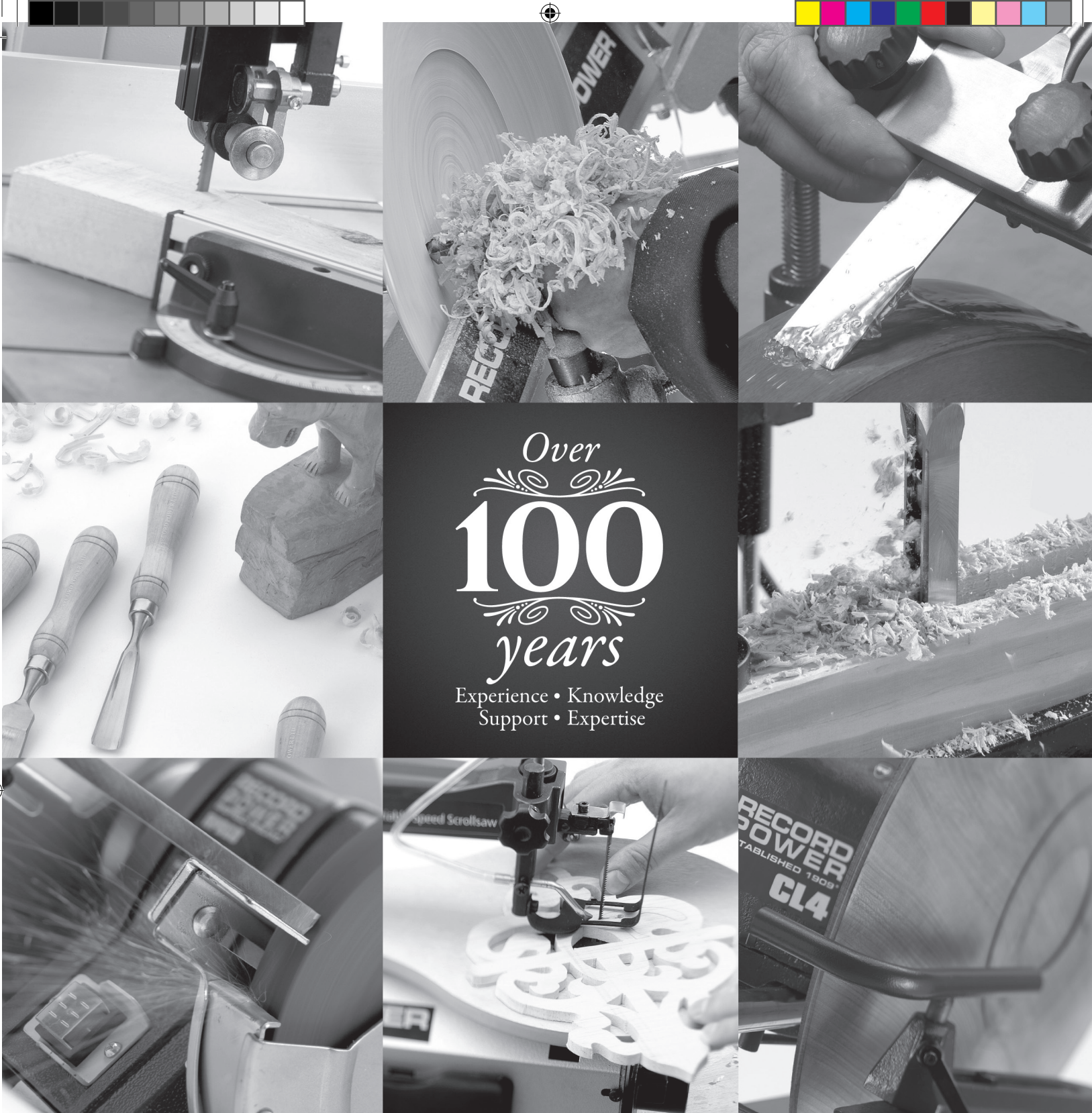
and complies with the relevant essential health and safety requirements.

Signed.....Dated: **01/08/2013**

Andrew Greensted
Managing Director







RECORD POWER
ESTABLISHED 1909®

Woodworking Machinery & Accessories

United Kingdom

Record Power Ltd

Centenary House, 11 Midland Way,
Barlborough Links, Chesterfield,
Derbyshire, S43 4XA

Tel: 01246 561 520

www.recordpower.co.uk

Eire

Record Power Ltd

Centenary House, 11 Midland Way,
Barlborough Links, Chesterfield,
Derbyshire, S43 4XA

Tel: 01246 561 520

www.recordpower.co.uk

Australia

Tools 4 Industry

Po Box 3844
Parramatta 2124

Tel: 1300 124 422

Fax: 1800 262 725

www.recordpower.com.au

New Zealand

Tools 4 Industry

Po Box 276079
Manukau City 2241

Tel: 0800 142 326

Fax: 09 2717 237

www.recordpower.co.nz

Made in China