

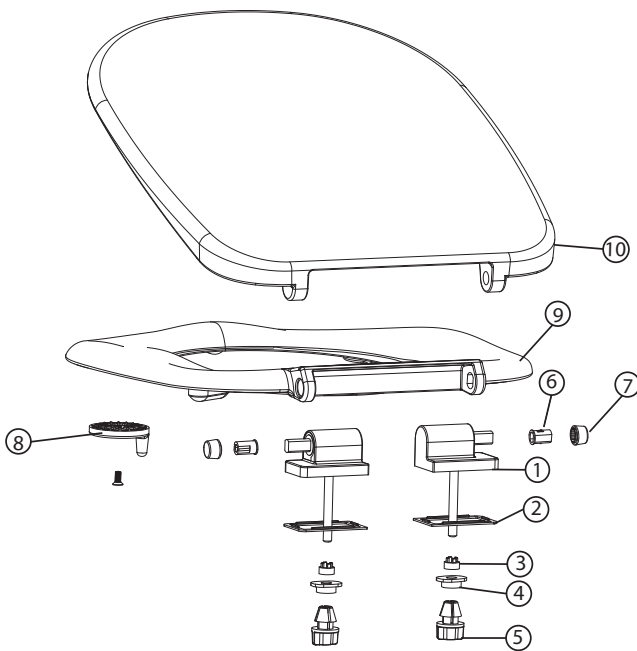


## Toilet Seat Installation Instruction

Toilet seat with or without lid.



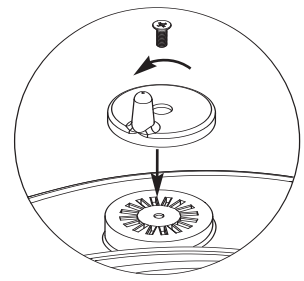
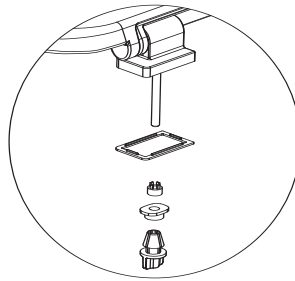
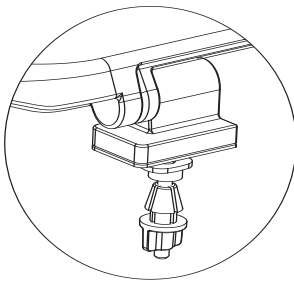
### Toilet Seat Components



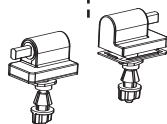
1	Steel Hinge Block
2	Hinge Pad
3	Hinge Spacer
4	Hinge Washer
5	Hinge Block Nut
6	Pivot Sleeve
7	Pivot Cap
8	Adjustable Buffer
9	Toilet Seat
10	Toilet Lid

### Toilet Seat With Lid Stage 1

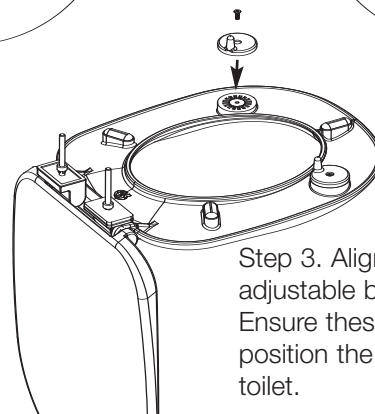
Step 1. Remove the washer, spacer and nut.



Step 2. Fit the hinge blocks to the seat.  
Note that the hinges are handed and must be fitted to the correct sides.



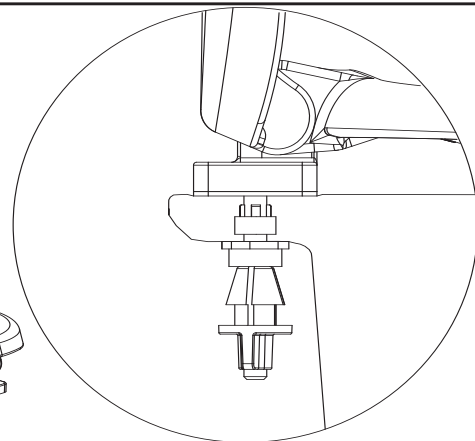
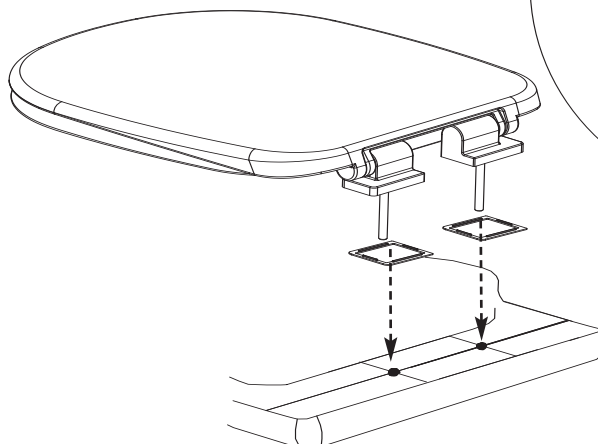
Step 3. Align and secure the adjustable buffers (8) into position. Ensure these are correctly fitted to position the seat centrally on the toilet.



## Toilet Seat With Lid Stage 2

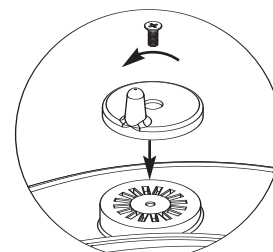
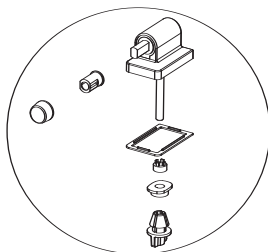
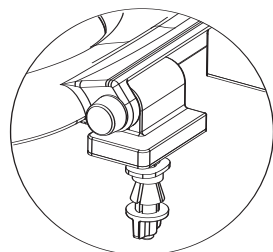
Step 1. Align the hinge blocks with the toilet holes and replace the spacer, washer and nut. Repeat for both sides and tighten into position.

Ensure the hinge pad is correctly fitted.

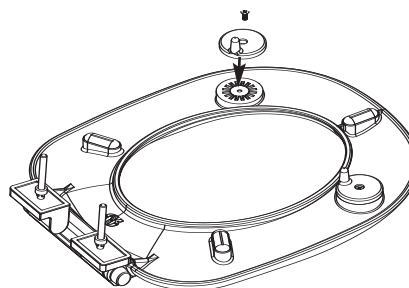
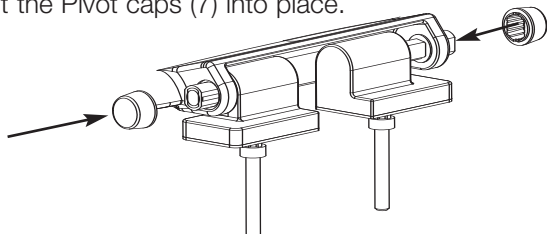


## Toilet Seat Without Lid Stage 1

Step 1. Remove the washer, spacer and nut.



Step 2. Fit the hinge blocks to the seat. Note that the hinges are handed and must be fitted to the correct sides. Fit the Pivot caps (7) into place.



Step 3. Align and secure the adjustable buffers (8) into position. Ensure these are correctly fitted to position the seat centrally on the toilet.

## Toilet Seat Without Lid Stage 2

Step 1. Align the hinge blocks with the toilet holes and replace the spacer, washer and nut. Repeat for both sides and tighten into position.

Ensure the hinge pad (2) is correctly fitted.

