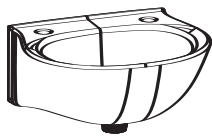




Ceramic Wash Basin Installation Instructions



READ ALL INSTRUCTIONS CAREFULLY BEFORE INSTALLATION.



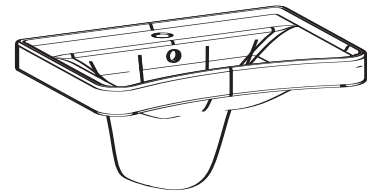
AKW-B400



AKW-B450



AKW-B510



AKW-BW600

Ensure you use the correct installation method and fixings for your wash basin

step 1

Positioning The Wash Basin



Ensure the water supply is turned off at the isolating shut off valve.

Make sure the water feed near to installation with a local service isolation valve.

Ensure the area where the sink will be fitted is in good condition and able to support the weight of the product.

Do not over tighten the fixings as this can damage or break the ceramic.

Provisionally place the wash basin and semi-pedestal where it is to be positioned.

Mark and measure the mounting position on the wall.

Provisionally mark the position of the wash basin support bracket (this is optional).

Remove the sink and check that the mounting holes will not interfere with the waste pipe and water supply.

Fig. 1

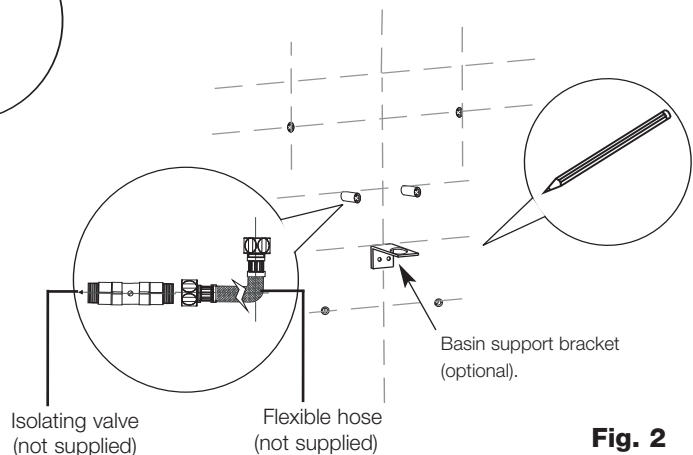
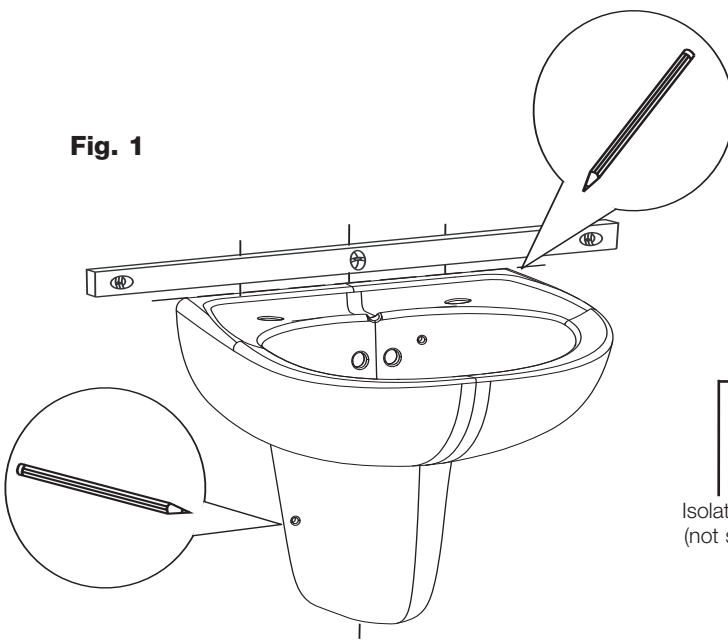


Fig. 2

step 2

For installing wash basins
AKW-B450 / AKW-B510 / AKW-BW600

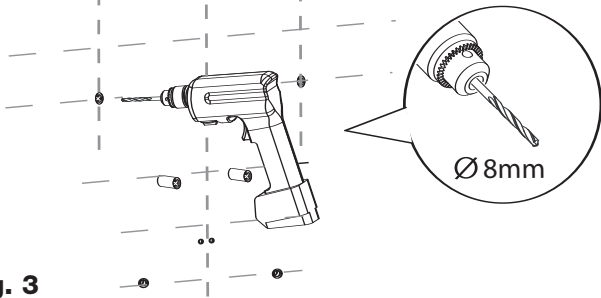


Fig. 3

Drill 8mm mounting holes for the wash basin using the markers as a guide.

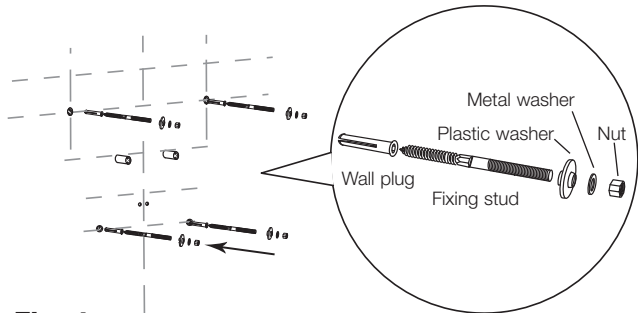


Fig. 4

Remove the nut and washers from the fixing stud. Insert wall plugs and screw the fixing studs into the wall plugs leaving 25mm of thread showing for the wash basin and semi-pedestal.

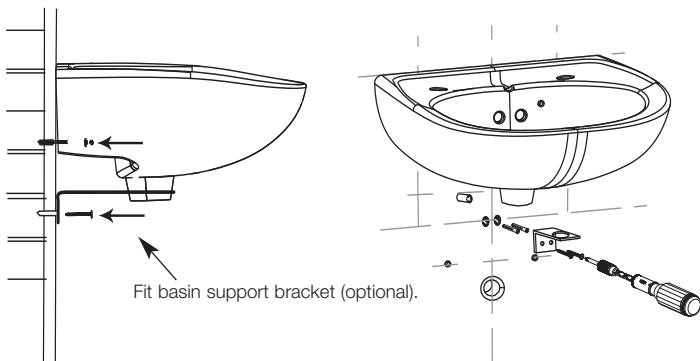


Fig. 5

Fig. 6

Place wash basin onto the protruding studs and replace washers and nut. Tighten fixings ensuring it is secure. **Do not over tighten.** Fix the wash basin first. Re-align the support bracket and drill holes for wall plugs and then fix into position using the fixings supplied. Connect all plumbing before fixing the wash basin semi pedestal. Re-align the semi pedestal and fix into position by replacing the washer and nuts. Fit cover caps.

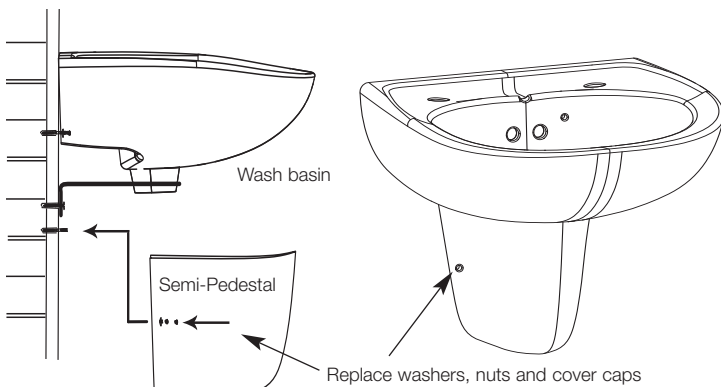


Fig. 7

Fig. 8

For installing wash basin

AKW-B400

Hanging brackets are used with this basin.
Support Bracket must be installed.

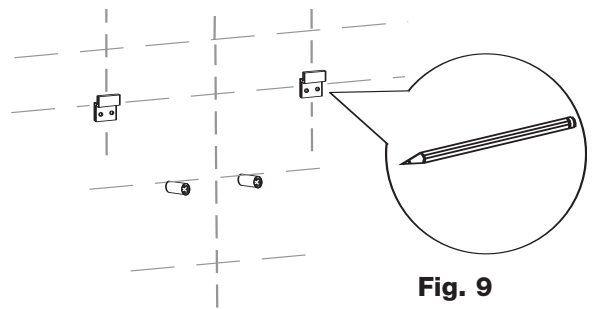


Fig. 9

Measure and mark the hanging brackets position using the markers as a guide.

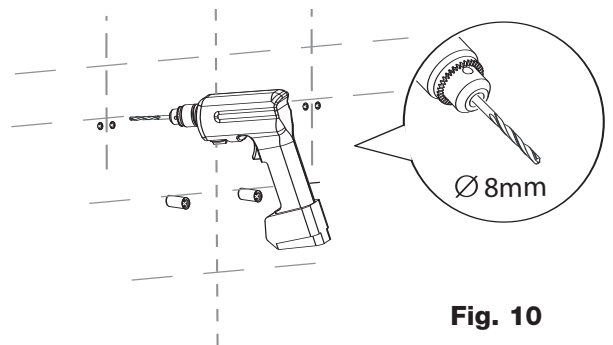


Fig. 10

Drill 8mm holes for wall plugs. Insert wall plugs and secure the hanging brackets to the wall using the supplied fixings.

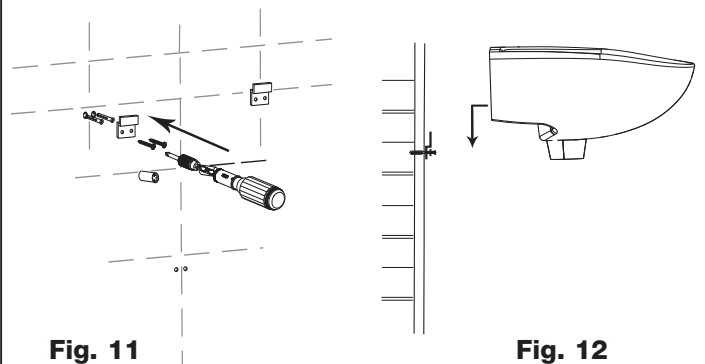


Fig. 11

Fig. 12

Hang the wash basin on the brackets. Ensure wash basin is level. Align the support bracket, drill holes for wall plugs and then fix into position using the fixings supplied.

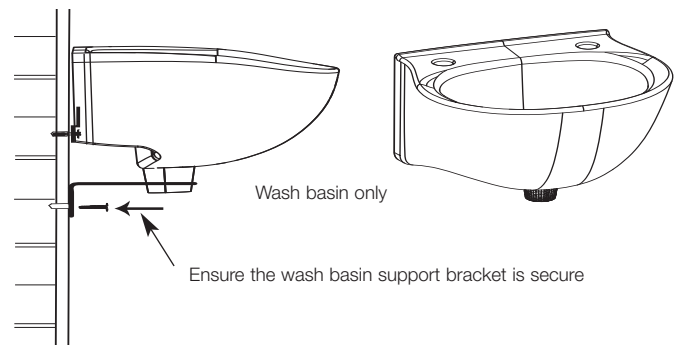


Fig. 13

Fig. 14