

Accenta/Optima

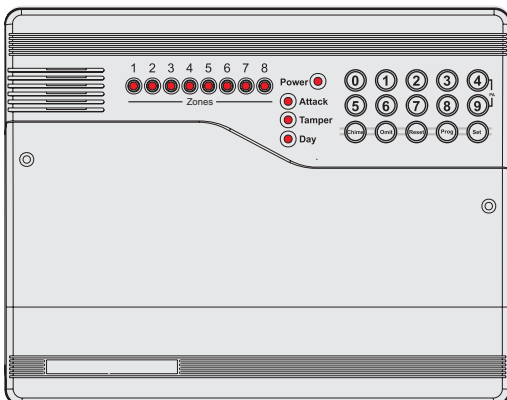
Engineer's Manual



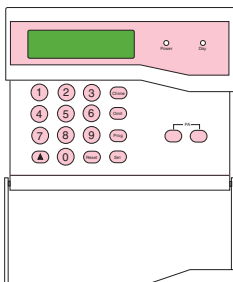
8SP399A - Accenta mini panel with remote LCD keypad and communicator outputs

OR

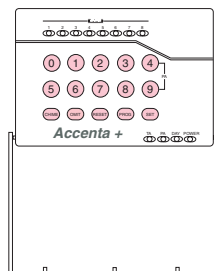
8SP400A - Accenta mini panel with remote LED keypad and communicator outputs



8EP396A Optima compact panel with built-in LED keypad



8EP417A - Accenta LCD keypad



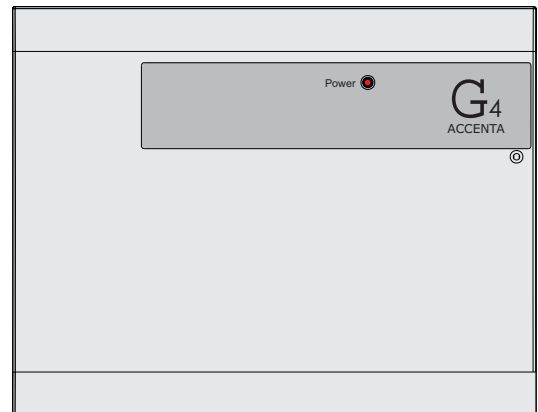
8EP416 - Accenta LED keypad



8SP419A - Accenta metal panel enclosure with remote LCD keypad and communicator outputs

OR

8SP420A - Accenta metal panel enclosure with remote LED keypad and communicator outputs



8SP401A - Accenta panel with remote LED keypad and communicator outputs

OR

8SP411A - Accenta panel with remote LCD keypad and communicator outputs

Contents

- Introduction..... 1**
- Features..... 1**
- Installation Design 2**
- Fixing the Control Panel 3**
- PCB 4**
- Wiring the System 4**
- Tamper Network 4**
- Connecting Remote Keypads..... 5**
- Fitting the Remote Keypad 6**
- Security Zones 6**
- Fire Zone 7**
- PA Circuit 8**
- Extension Speaker 8**
- External Siren (Bell Box) Output..... 9**
 - 13V Supply Output 10
 - Set 10
- Remote Signalling Input and Outputs 11**
 - Filtering of Intruder alarms 12
- Factory Set Condition 13**
- Mains Connection 14**
- Testing the System 14**
- First Power Up..... 15**
- Engineer Program Mode 16**
 - Indications on LED Keypads 16
- System Indications 16**
- Entering/Exiting Engineer Program Mode 17**
- Defaulting Panel to Factory Settings 17**
- Defaulting User Code 1 and Engineer Code 17**

Menu Options	18
0 = Walk Test	18
1 = Alarm Test	19
2 = Test Outputs	20
3 = Set Up System Flags	21
4 = Set Up Time and Date	24
6 = Set Up Zone Names	24
7 = Set Up Timers	25
8 = Set Up Codes	28
C = View Event Log	30
O = Omit Allow and Double Knock	31
P = Set Up Programs	34
Operating the System	42
Setting the System	42
Resetting After an Alarm, Tamper or PA	43
Unsetting the System	43
Faults	45
Specifications	46
Appendix 1 - Event Log Messages	47
Appendix 2 - Library	49
Servicing Organisation Details	51
Parts	51

Introduction

This manual provides information on Installation design, panel fixing, wiring, power up and programming of the intruder panels.

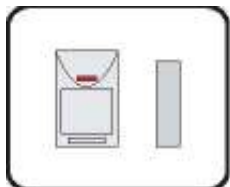
Features



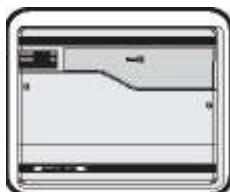
- 8 zones programmable for Security, 2 zones for Fire.
- PA input.
- Tamper input.
- Outputs for External Siren (Bell) and Strobe.
- 4 Access level Codes, User 1, User 2, Engineer and Duress, all programmable.
- 3 fully selectable part set programs.
- Chime on any security zone.
- 250 event memory (LCD Keypad), 8 event memory (LED keypad).
- Programmable timers including bell cut off.
- Walk Test facilities.
- Quick set feature.
- Supports up to four remote keypads with on board PA and illuminated keys positioned up to 100 meters from the panel.
- Keypads can be wired in a star or daisy chain configuration from the panel.
- Optima is supplied with a built in keypad.
- Support of Prox set and unset with Simple Set keypad.
- NVM for protection of engineer program and event log.
- 5 digital outputs for a wire-in digital communicator or dialler (Not applicable for Optima compact panel).
- Battery capacity of up to : 2.1Ah in Accenta/Optima mini enclosure, 7Ah in Accenta/Optima metal enclosure.

Installation Design

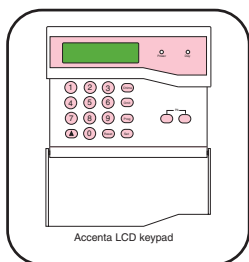
The purchase of this alarm system represents a major step forward in the protection of the property and its occupants. It is important to plan the installation before proceeding following the procedures and advice contained in this manual.



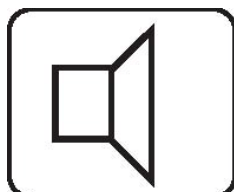
Plan the position of each part of the alarm system and the cable runs. **Detectors** should be sited with particular regard to the degree of coverage required.



All of the system wiring is connected directly to the **panel**. The Accenta panel may be concealed inside a cupboard or loft space, but it must be installed within the protected premises and in a position which is convenient for a mains supply. The Optima panel may be installed near an entry/exit point.



The **Remote Keypads** (RKPs) should be mounted in positions which allows ease of operation for the system users, typically within the entry/exit route close to the final door and the master bedroom.



Additional internal **sound speakers** are recommended, these will provide high volume alarm tones and low volume entry/exit tones. Speakers should be positioned to provide good sound distribution throughout the building and so that the exit tone is audible outside the main entry / exit door. This will enable the system operator to check that the system is setting correctly.



The **total current** output of this control system (in alarm condition) is 1A when supported by a fully charged battery. Calculate the total including the panel, remote keypads, external siren with strobe light (also called a bell box) and detectors to ensure that this rating is not exceeded.



Depending on which area you live, you may be required, by law to notify the **Local Authority** and Police of the new security alarm installation. The local authority requirements may differ from area to area, therefore, it is advisable to contact local environmental officer to obtain full details of your area requirements.

Fixing the Control Panel

CAUTION: When positioning the control panel make sure that it is located in a dry place away from damp areas.

NOTE: The Accenta mini enclosure is illustrated here, however the procedures for the other panels is similar.

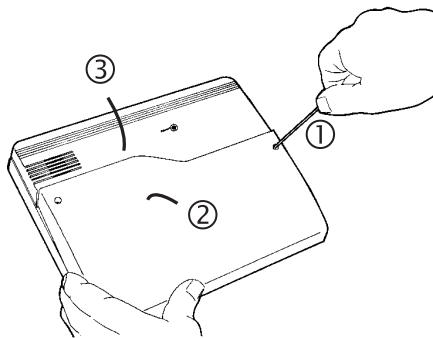


Figure 1. Removing the Front Cover

1. Remove the front cover(s) from the base assembly.

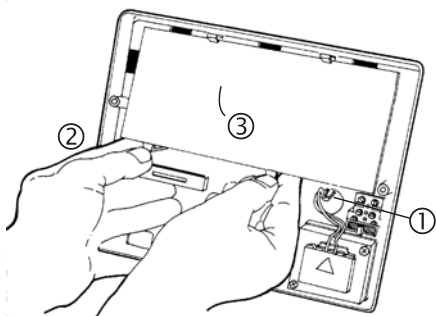


Figure 2. Removing the PCB

2. Disconnect the transformer wires from the board, these are marked AC. Carefully remove the board by gently pushing down the holding clips on the bottom edge of the board and withdraw it from the base.

NOTE: When replacing the board align it on the round support pillars to the bottom and allow it to click down past the clips at the top of the case. Refit the transformer wires into the terminal.

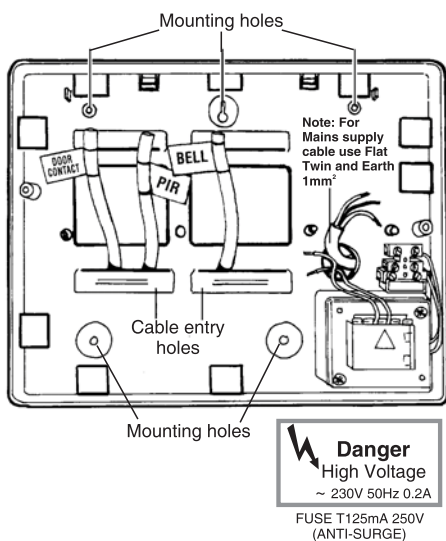


Figure 3. Fitting the Panel

3. Fit the panel to the wall with suitable fixings. Ensure the wall surface is flat to prevent base distortion. There are cable entry holes provided in the rear of the base and around the outside edges through the thinned out plastic sections which may be cut away as required.

NOTE: The hole provided adjacent to the mains transformer is a dedicated mains cable entry hole.

PCB

There are four fuses mounted on the circuit board, all are 20mm anti-surge.

- F1 1.6A - to protect the positive (+Ve) line of 12V battery
- F2 1A - to protect the Speaker 13V supply
- F3 1A - to protect the Siren (Bell) & Strobe supply
- F4 1A - to protect the RKP 13V supply

As supplied, wire links are fitted across the PA and Tamper terminals to represent a closed circuit.

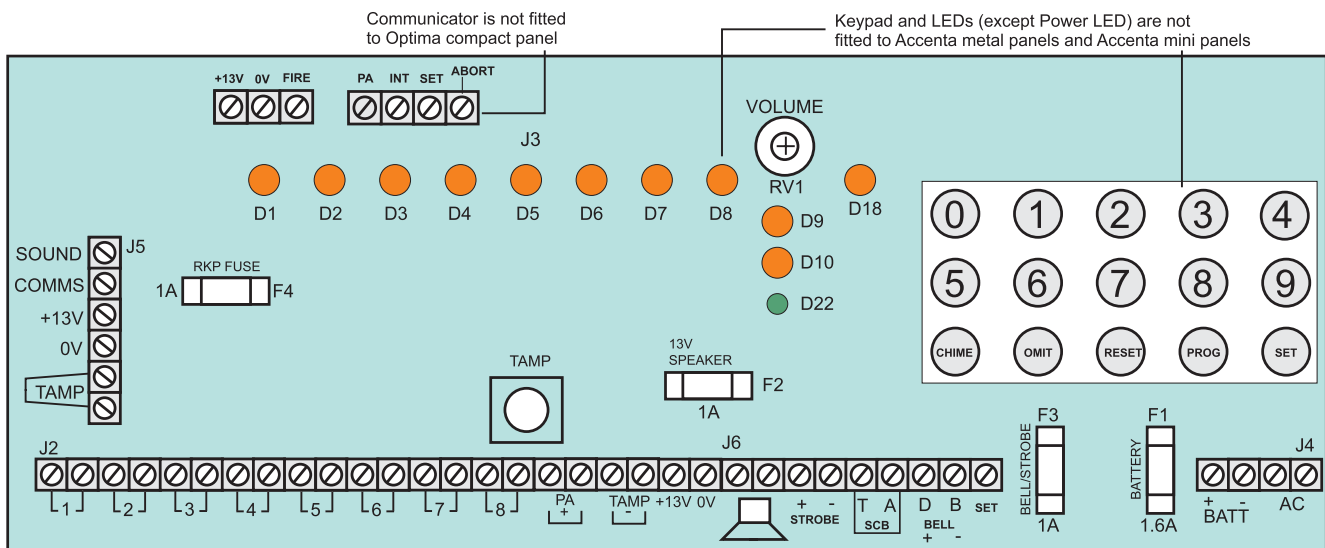


Figure 4. PCB

Wiring the System

CAUTION: Always power down the panel when wiring external circuits to prevent damage to the panel electronics.

Systematically wire and test each circuit:

- Zone, Tamper circuit and PA circuits
- Finish by wiring any additional extension speaker sounders, external siren (bell) / strobe and the 13V supply.

Tamper Network

The Tamper circuit is used to protect all cables and detectors in the system from unauthorised access including the panel and RKP covers.

The zone and PA tampers should be series wired and connected to the TAMP terminals. Terminals T and A are for the external siren tamper. The TAMP terminals at the bottom left of the board are for the RKP tampers.

Tamper alarms that occur in the Day mode operate internal sounders only. Tamper alarms in Set cause a full alarm condition. Tamper is indicated on the control panel and RKPs.

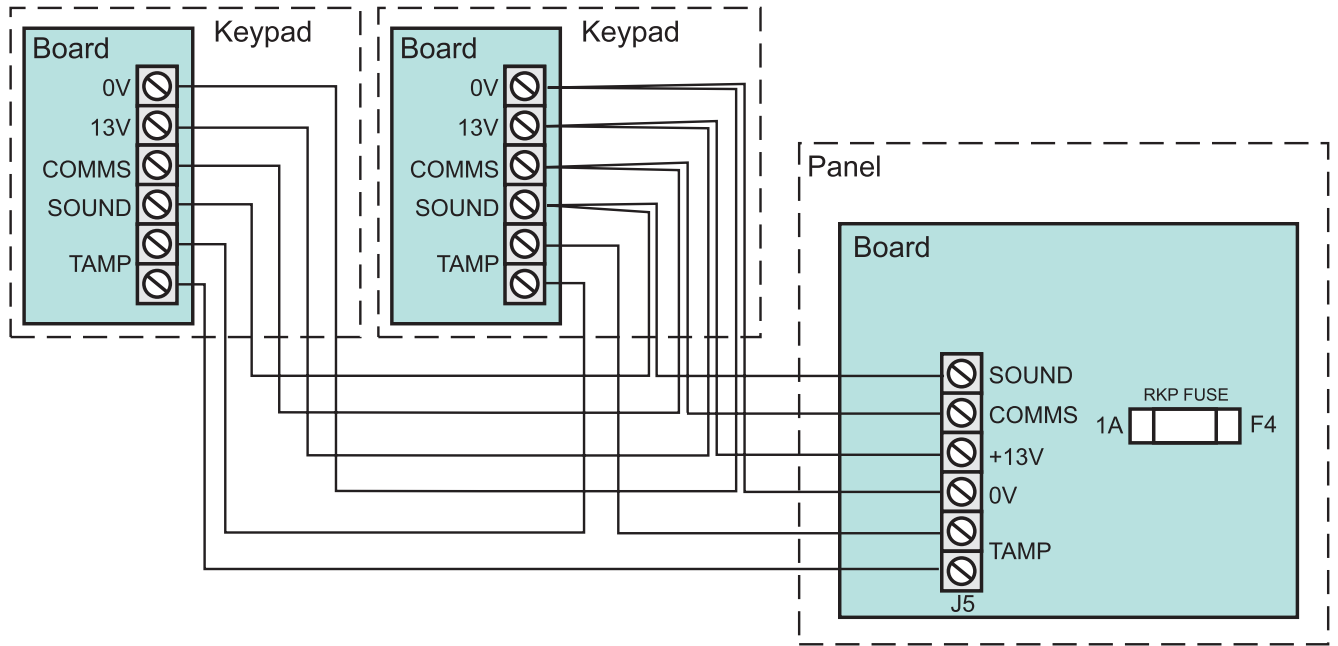


Figure 5. Connecting LED keypads to panel

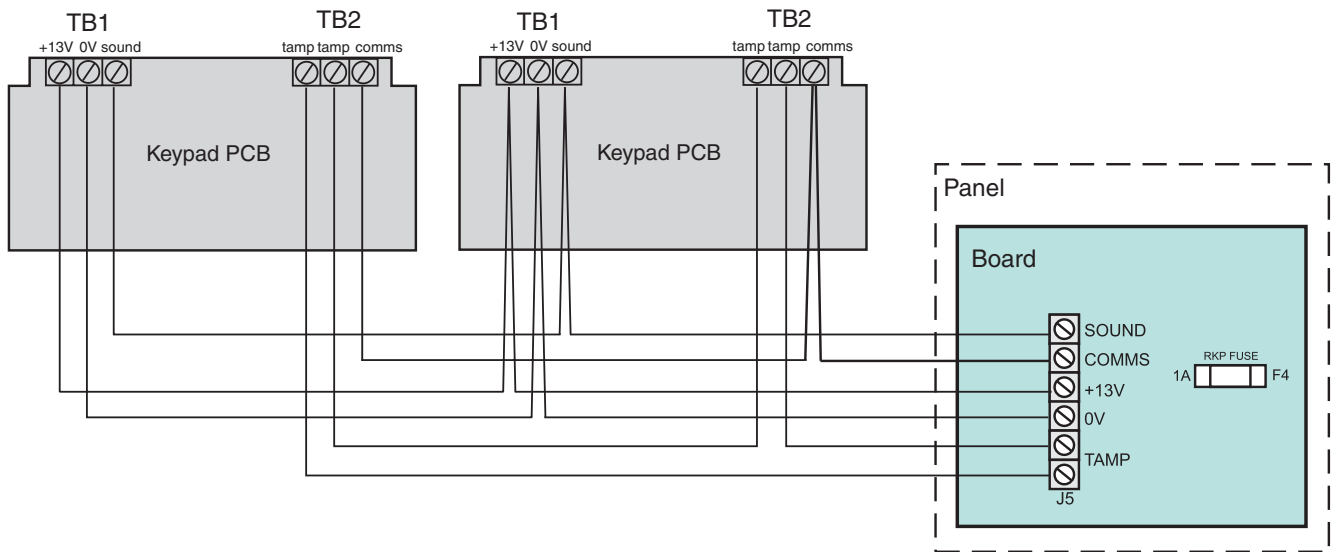


Figure 6. Connecting LCD keypads to panel

Connecting Remote Keypads

NOTE: Where an Accenta or Accenta mini panel is being installed, make sure there is at least one remote keypad wired to the panel before the first power up.

Up to four remote Accenta LCD or LED keypads can be connected to the panel. Wire the keypad(s) as per Figure 5 (LED keypad) or Figure 6 (LCD keypad).

NOTE: When the panel back-up battery is charging, the LCD keypad backlight may not operate.

Fitting the Remote Keypad

- 1 Separate the RKP baseplate from the main assembly by slackening the retaining screw.
- 2 Cut away the required thin wall sections around the edges of the baseplate for cable entry.
- 3 The baseplate mounting holes are 60 mm centres (LED keypad) or 75 mm (LCD keypad) which allow it to be fixed to a single gang electrical metal box. As an alternative, the baseplate may be fitted directly to the wall using screws and wall plugs. If these are not appropriate for the wall then use suitable alternative fixings.

CAUTION: The PCB board must not be removed from the front moulding and doing so may invalidate the warranty.

- 4 Bring the cables into the baseplate and wire to the terminal block on the baseplate.
- 5 Refit the RKP main assembly to the baseplate by locating the top retaining clips into the inside top part of the baseplate. Close the main assembly onto the baseplate, ensuring that the wiring does not foul the tamper switch/spring or the PCB support pillars. Resecure the screw in the bottom of the case.

Security Zones

It is recommended that no more than 10 magnetic contacts are connected to the same zone and that the combined cable length for each zone does not exceed 100 metres.

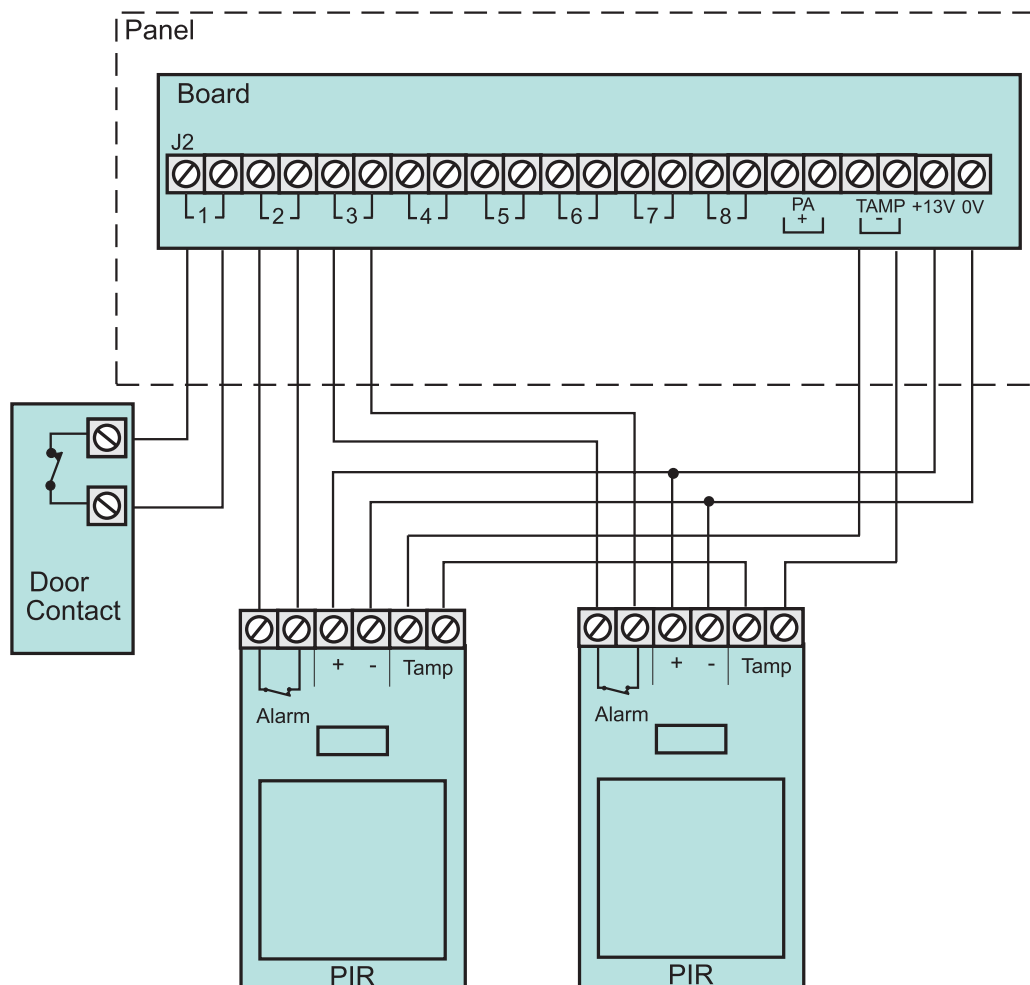


Figure 7. Security Zone Wiring

Fire Zone

Zones 7 and 8 may be programmed as fire zones. This will automatically exclude the availability of the zone from programs and normal security applications.

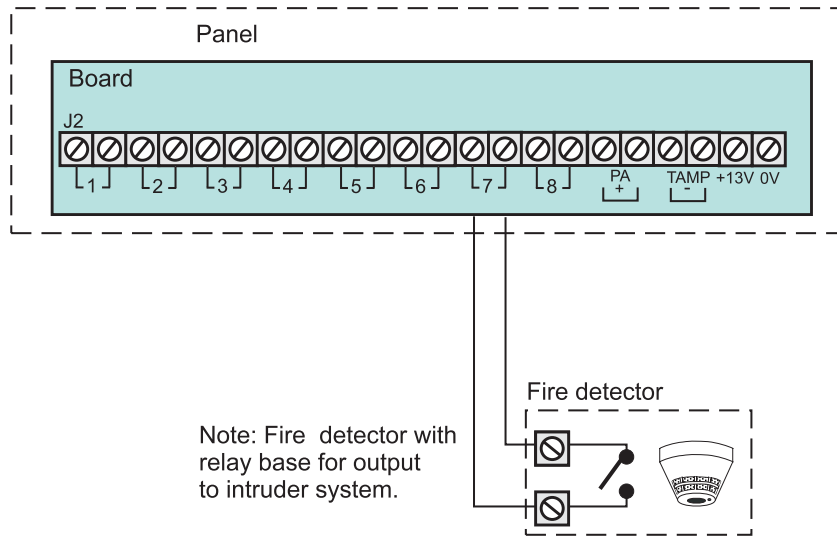


Figure 8. Fire Zones

The fire zone detects fires all the time and will operate whether the system is Set or Unset. A fire will cause a distinctive internal sounder tone. The external sounders will pulse on and off at 2 second intervals and all RKP indicators will flash the affected zone.

PA Circuit

It is recommended that no more than 10 normally closed type personal attack button may be wired in series and then connected to the PA circuit.

Operational in Unset and Set, the PA circuit will cause a full alarm condition when activated. PA is indicated on the control panel or RKP.

PA buttons may be fitted near the front door or in a bedroom.

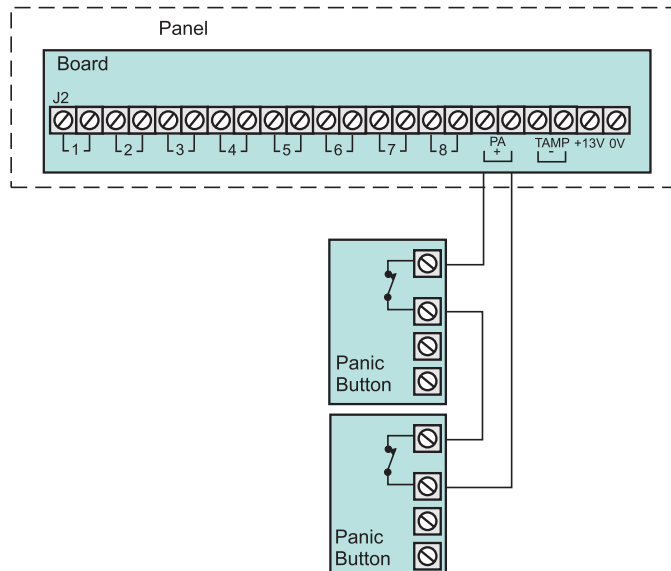


Figure 9. PA Circuit

Extension Speaker

Extension speakers may be connected to the loudspeaker terminals to produce high volume alarm tones and low volume entry / exit / fault tones.

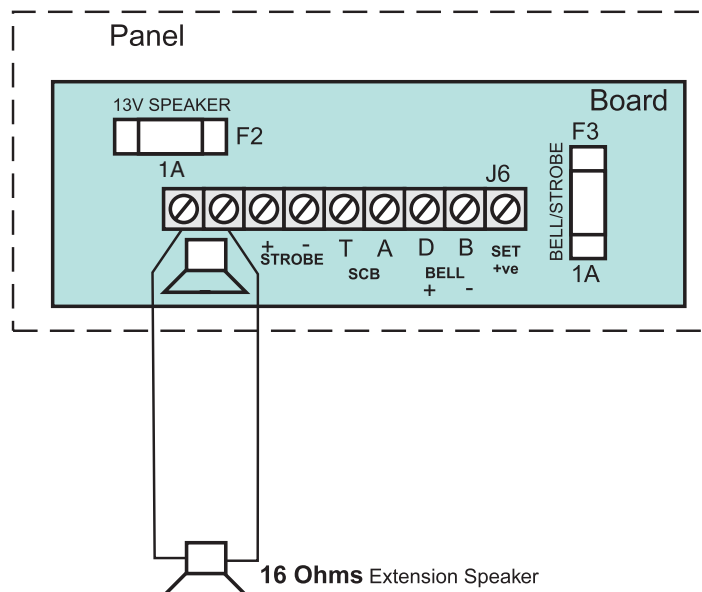


Figure 10. Extension Speaker Wiring

Up to two 16 ohm extension speakers may be wired across the speaker terminals. Mounted in convenient positions within the installation the extension speakers will reproduce all of the alarm tones generated by the control panel.

A control marked VOLUME may be used to adjust the low volume entry/exit tones to suit environmental conditions.

External Siren (Bell Box) Output

The external siren (bell box) is usually installed in a high position from where the siren could be seen and heard.

Terminal TADB are for connection to the external siren. These terminals provide a power/hold-off supply, sounder trigger and tamper circuit to protect the external siren housing.

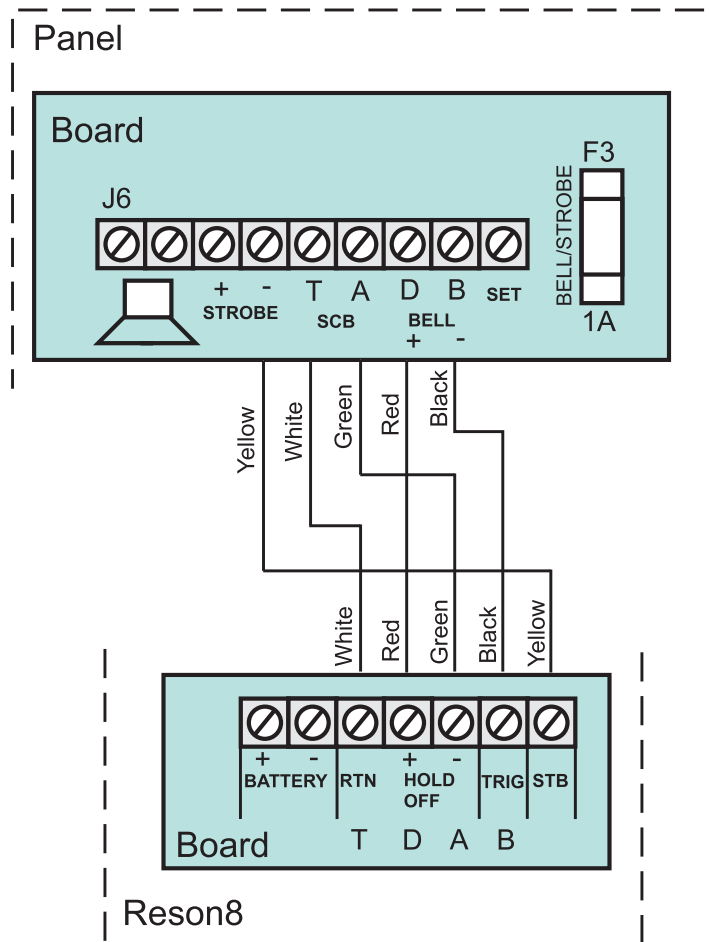


Figure 11. External Bell-box Wiring

The terminals are summarised as follows:

- T = Negative (-Ve) tamper return
- A = Negative (-Ve) supply (0V)
- D = Positive (+Ve) supply (12V)
- B = Negative (-Ve) Sounder trigger

For ease of installation, the Optima/Accenta control panels and Reson8 external sirens and modules use the same markings.

Where a discrete external siren is used, it should be connected to terminals D and B. Terminals T and A are then used for tamper protection for the housing.

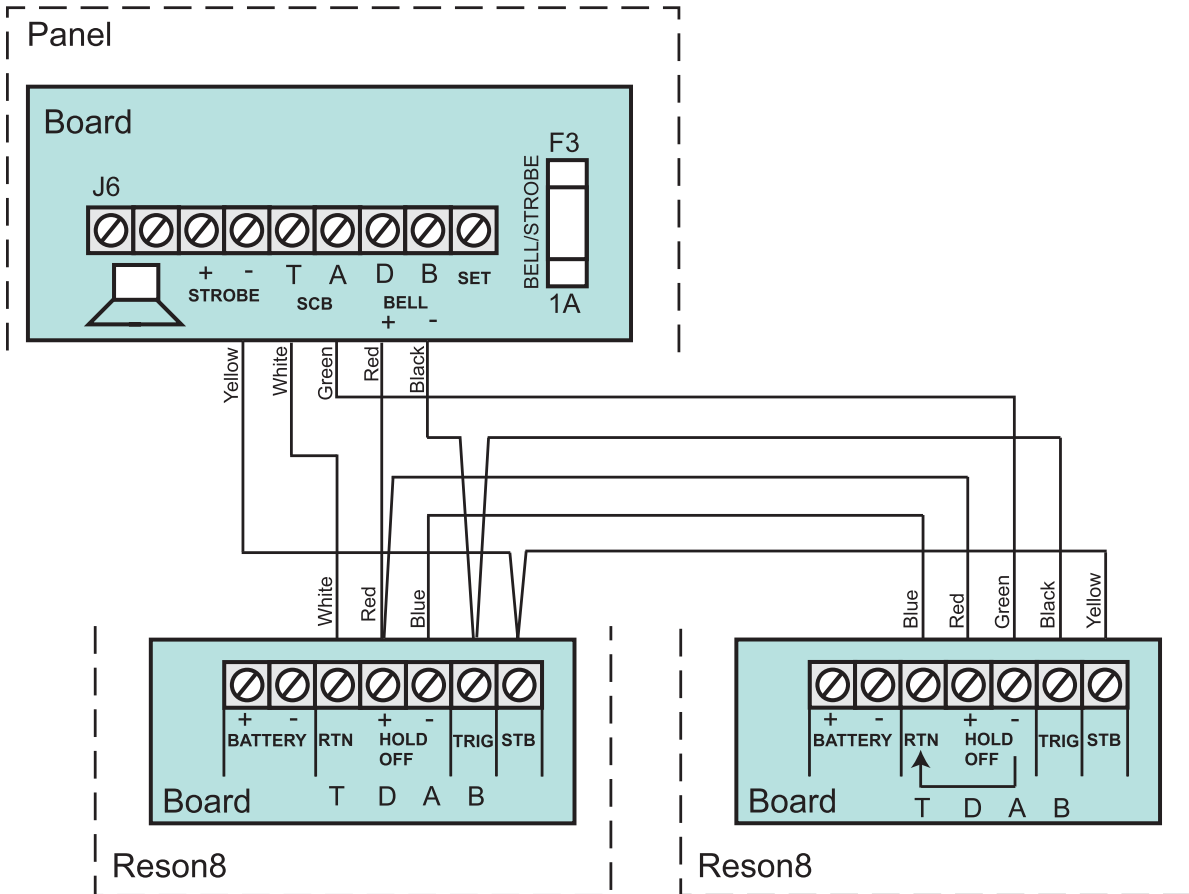


Figure 12. Twin External Bell-box Wiring

13V Supply Output

The 13V output is to power detectors which require a voltage supply (PIR detectors etc). The supply is present at all times and may be used to supply a total load of 350mA.

Set

The output marked SET is used with latching detectors. The output becomes positive on correct Set of the system and is removed by entry of a valid user code.

Remote Signalling Input and Outputs

NOTE: These outputs are not applicable to the Optima compact panel.

These terminals have been provided for connection to remote signalling equipment such as a digital communicator, or speech dialler.

13V 0V: These terminals provide a 13V supply for the communicator up to a total load of 200mA.

OUTPUTS (J3): These outputs are programmed as active low output. They are held at 13V and fall to 0V when active, it can source or sink 10mA.

These outputs would normally be connected directly to the input channels of wire in type communicators. Alternatively each output can be used to drive a relay (coil resistance > 1200 Ohms) connected between the output terminal and the 13V supply terminal. The relay will energise when the output port operates. It is recommended that a back EMF protection diode is used in parallel with the relay coil.

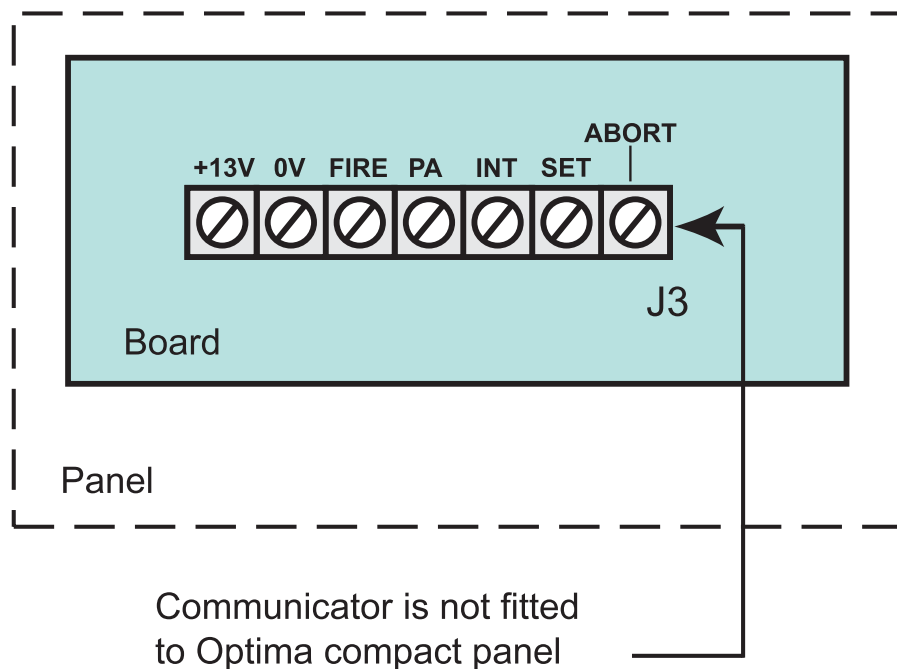


Figure 13. Panel communicator

FIRE: The fire output operates when the fire zone is triggered.

PA: The PA output operates when a PA alarm is triggered or a duress code is used.

INT: The intruder output is operated when an intruder condition is triggered whilst the system is set.

SET: The Set output operates whenever the system becomes set and is used to indicate opening and closing.

ABORT: Operates if the panel is unset within 90 seconds of the alarm condition starting. It is cleared when the panel is reset by the user or engineer.

Important Notes

1. Each output has been configured as active low.
2. Where the communicator is powered from an external source, not the panel and the outputs are being used without relays, the panel and external power supply will require a common negative supply rail.
3. If the communicator is not fitted inside the panel and abort is being used, care should be taken to ensure that the abort connection cannot be damaged or severed as this could cause the ARC to incorrectly filter an alarm signal.
4. It is very important that communicating systems are fully tested and that all signals are correctly received at the ARC when the system is installed and serviced.

Filtering of Intruder alarms

The exact method of filtering should be decided according to the security services / keyholder requirements and ARC procedures.

In general, the panels offer the following methods that could be used to filter an alarm.

Set/Unset A Set or Unset signal which is received by the ARC at around the same time as an intruder signal can be used to filter the alarm.

Abort Output The abort output operates whenever a user code is entered to switch off an intruder alarm condition. When an abort signal is received by ARC at or around the same time as an intruder signal, the alarm can be filtered.

Restore of the Intruder Output The intruder alarm output is restored to 12V whenever a user code is entered to switch off an intruder alarm condition. Where an intruder alarm is shortly followed by a restore at the ARC, this can be used to filter the alarm.

Factory Set Condition

User code1	0123
User code2	Not programmed
Duress Code	Not programmed
Engineer Code	9999
External siren <i>Bell</i> Duration	15 minutes
External siren <i>Bell</i> Delay	No delay
Rearm Count	3 Rearms

Program 1

Zone 1	Timed
Zone 2	Timed inhibit
Zone 3 - 8	Immediate
Exit time	30 seconds
Entry time	30 seconds
Exit mode	Timed

Program 2

Zone 1	Timed
Zone 2	Timed inhibit
Zone 3 - 8	Immediate
Exit time	30 seconds
Entry time	30 seconds
Exit mode	Disabled

Program 3

Zone 1	Timed
Zone 2	Timed inhibit
Zone 3 - 8	Immediate
Exit time	30 seconds
Entry time	30 seconds
Exit mode	Disabled

Zones

Security zones	Zones 1 - 8
Standard Fire zones	None programmed
Double Knock zones	None programmed

Omit prevent zones All programmed

Flag 1

Silent PA	No
RKP PA Enable	Yes
Engineer Reset	No
User reset PA	No
User Reset Fire	No
Bell in Fire	No
Enable Zone 7 as Fire	No
Enable Zone 8 as Fire	No

NOTE: Zone debounce period is 400 ms

Flag 2

Single Key setting	No
Strobe on setting	No

Flag 3

Accenta Optima Version X.XX

NOTE: X.XX indicates panel version eg 1.00

Refer to page 17, **Defaulting Panel to Factory Settings** for the method of defaulting the panel.

Mains Connection

The mains power should be connected using 3-core cable of not less than 1 mm sq. from a fused spur to the mains connector inside the control panel. The 2 A fused spur must be located close to the control panel.

NOTE: The mains supply must be connected by a technically competent person and according to current IEE regulations.

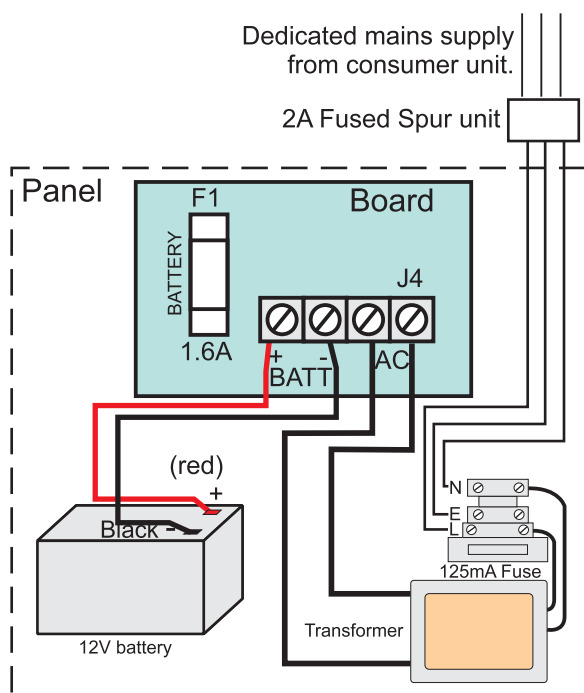


Figure 14. Mains Connection

CAUTION: To avoid the risk of electrical shock you must always totally isolate the mains supply before opening the control panel cover(s).

Mains Input fuse rating: 125 mA, 250 V type T (anti-surge) and of a type approved to IEC 127 part 2 sheet III.

On connecting the mains supply to the panel the power indicator is lit.



Testing the System

Complete the wiring of the system and then:

- Fully test the system and ensure it is fault free.
- Fully program the system.
- Fill in the installation log at the back of the manual and retain it for future reference.
- Finally explain the operation of the system to the end user. The **User Guide** is attached to the centre of this manual. Detach the **User Guide** and leave it with the **user**.

First Power Up

NOTE: For Optima compact, fit the top cover on to the base and connect the speaker wires.

- 1 Check that the factory fitted links are connected to terminals PA, TAMP and T-A.
- 2 Fit the battery wires to the battery terminals (BATT).

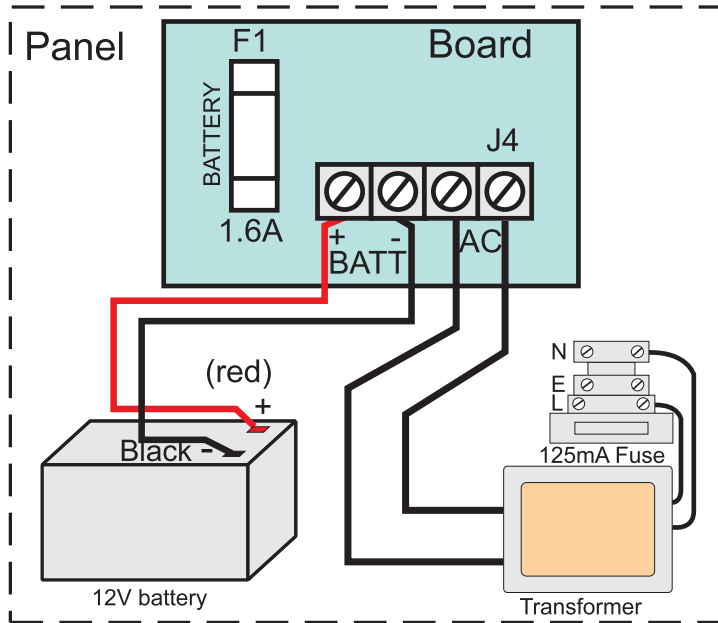


Figure 15. Battery Connection

- 3 On connecting the battery, the system will go into an alarm condition with an audible alarm indication. After entry of a valid user code, there is a Tamper indication.
- 4 Fit the cover to hold down the tamper spring at the bottom centre of the board.

LCD INDICATIONS

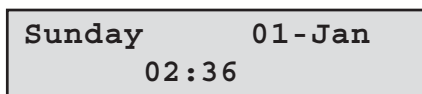


LED INDICATIONS

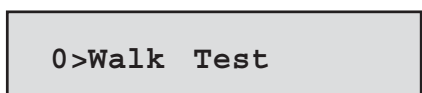


5. Enter the user code, press [0][1][2][3] factory set code. The alarm condition will cease and the system will go into day mode:

NOTE: The LCD keypad will show **SYSTEM UNSET** for 30 seconds first.



6. Immediately enter the engineer code by pressing [PROG][9][9][9][9]
7. The system is now in *Engineer program mode* and can be programmed.



Engineer Program Mode

The panel may be programmed to suit a wide variety of installations.

Once the *Engineer program mode* has been accessed, each configuration may be changed in any order.

Before entering *Engineer program mode* the system should be in the Day mode, with the Day and Power indicators lit.

Indications on LED Keypads





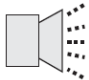



LED Indications	
LED steady on indication	
LED flashing indication	
LED off	
Output to Alarm Receiving Centre Communicator outputs are not applicable for Optima compact panel	
Internal Sound. In general a flat beep is an indication of an incorrect key press	
External Device: Strobe	
External Device: Siren	

Table 1. LED Indications

To exit operation

-  Quit the current function
- Leave program menu
- Return one menu level



System Indications

LCD Indications

System Unset

System Set

LED Indications

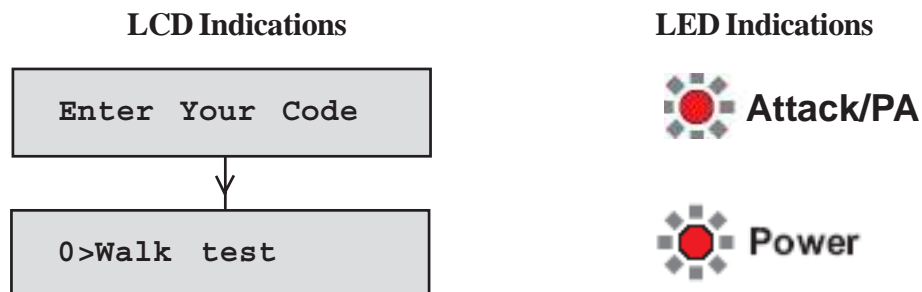
 Day  Power System Unset indication

 Power System Set indication

Entering/Exiting Engineer Program Mode

NOTE: The factory configured engineer's access code is 9999. If however this code is changed then enter the appropriate code.

Press 



To exit *Engineer program mode* press 

Defaulting Panel to Factory Settings

CAUTION: All configurations of the panel are reset to factory default conditions.

To default to factory settings:

1. Power down panel.
2. Remove wiring from SET output and PA input.
3. Fit shorting wire between SET and left-hand PA terminal.
4. Power up.
5. Wait for alarm to start.
6. Power down panel and then restore original wiring.

Defaulting User Code 1 and Engineer Code

1. Power down panel.
2. Remove wiring from SET output and TAMP input (next to PA).
3. Fit shorting wire between SET and left-hand TAMP terminal.
4. Power up.
5. Wait for alarm to start.
6. Power down panel and then restore original wiring.

Menu Options

The full menu structure for the panel can only be accessed while in *Engineer program mode*. The structure is shown in the following table:

MENU OPTIONS	
0 = Walk Test	7 = Timers
1 = Alarm Test	8 = Codes
2 = Test Outputs	C = View Event Log
3 = System Flags	O = Omit Allow & Double Knock
4 = Time and Date	P = Set up Programs
6 = Zone Names	

Table 2. Menu Options

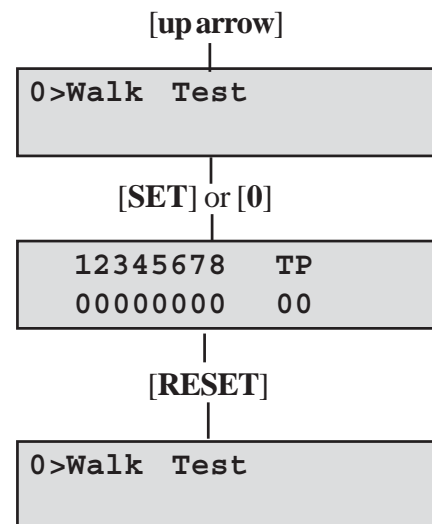
Enter *Engineer program mode*. Press **[PROG]** [9] [9] [9] [9].

0 = Walk Test

The walk test function allows each detector to be checked in order to verify that they are functioning correctly. A tone is generated as each zone is activated (opened).

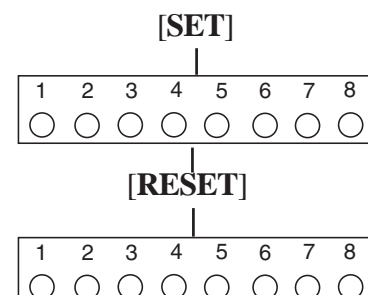
LCD keypad

- Press **[up arrow]** for menu **Walk Test**.
- Press **[SET]** or **[0]**. Zones 1-8 have a zero (0) below each number.
- When a zone is successfully tested, number 1 replaces the 0. Zones are added to list as each one is activated.
- Press **[RESET]** to leave the menu or **[SET]** to restart the Walk Test.



LED keypad

- Press **[0]** for menu **Walk Test**.
- Press **[SET]**. Zones 1-8 are off.
- When a zone is successfully tested, the LED is on. Zones are added to list as each one is activated.
- The Tamper LED comes on when tested.
- Press **[RESET]** to leave the menu or **[SET]** to restart the Walk Test.



1 = Alarm Test

This function tests the alarm function of the Bell, Strobe or Sounder. Pressing the appropriate button [1-3] toggles the function ON or OFF. Using the [up arrow] also selects the appropriate alarm function.

Pressing the [0] button turns all alarm outputs to OFF.

Pressing the [SET] button toggles the selected alarm output.

Pressing the [RESET] button turns off all outputs and leaves the function.

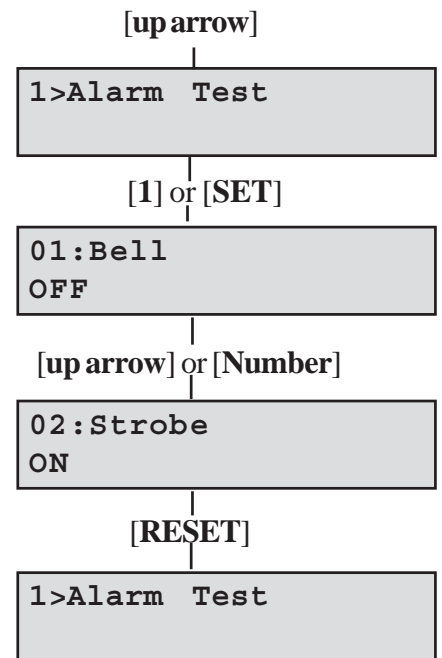
The outputs are:

1 = Bell, 2 = Strobe, 3 = Sounder

NOTE: To test the Low volume sounder enable option 3 only. To test for a high volume sounder enable both options 2 and 3 together.

LCD Keypad:

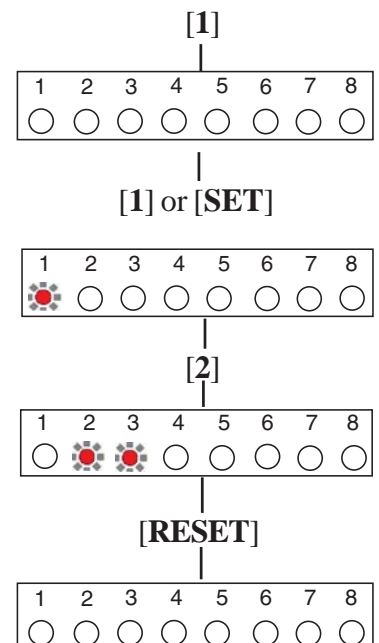
- Press [up arrow] for menu **Alarm Test**.
- Press [1] or [SET] to enter into first function ON or OFF.
- Press the [up arrow] or number [2] or [3] for the other functions.
- Press [RESET] to leave the menu.



LED keypad

The LED is lit when ON.

- Press [1] for menu **Alarm Test**.
- Press [1] or [SET] to toggle first function ON or OFF.
- Press number [2] and [3] for the other functions.
- Press [RESET] to leave the menu.



2 = Test Outputs

NOTE: These tests are not applicable to Optima compact panels.

This function tests all the outputs on the system.

The outputs are: **1 = Fire, 2 = PA, 3 = Intruder, 4 = Set, 5 = Abort.**

Pressing the **[0]** button turns all outputs to OFF.

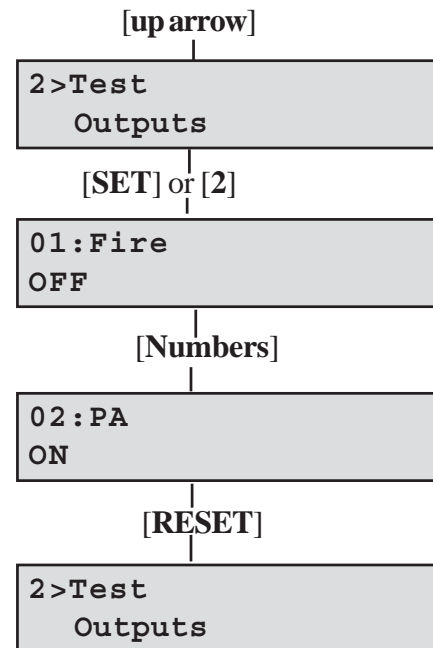
Pressing the **[SET]** button toggles the selected alarm output.

Pressing the appropriate button **[1-5]** toggles the function ON or OFF.

Pressing the **[RESET]** button turns off all outputs and leaves the function.

LCD keypad:

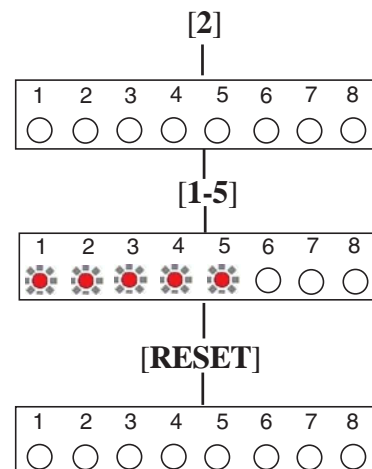
- Press **[up arrow]** for menu **Test Outputs**.
- Press **[SET]** or **[2]**. The first output is displayed.
- Press **[Numbers]** to display and toggle other outputs ON/OFF.
- Press **[RESET]** to leave the menu.



LED keypad:

The LED is lit when the output is ON.

- Press **[2]** for menu **Test Outputs**.
- Press **[1-5]** to display and toggle other outputs ON/OFF.
- Press **[RESET]** to leave the menu.

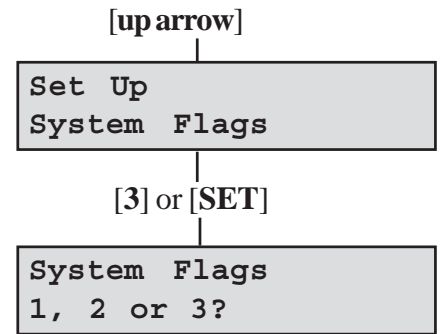


3 = Set Up System Flags

The System Flags are divided into Flags 1, 2 or 3.

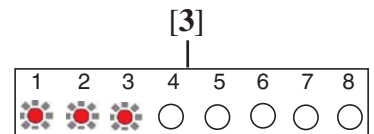
LCD Keypad:

- Press [up arrow] to display menu **Set Up System Flags**.
- Press [3] or [SET] to display the next screen.



LED Keypad:

- Press [3]. LED's 1, 2 and 3 are ON.

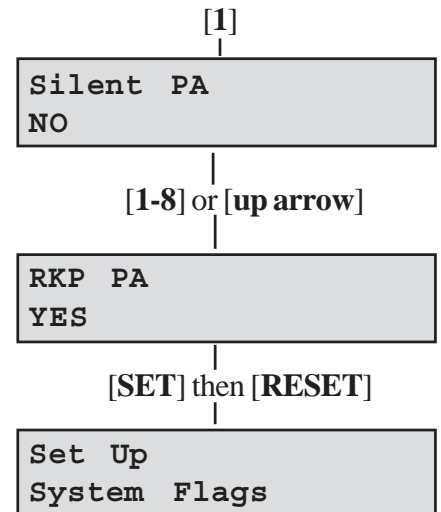


Flag 1

NOTE: Pressing the [9] button sets all flags ON. Pressing the [0] button sets all flags OFF. Pressing the [RESET] button leaves the function.

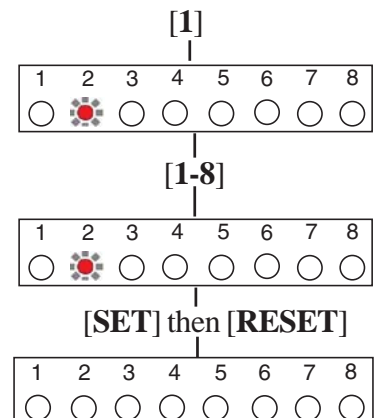
LCD Keypad:

- Press [1] to display first option of System Flag 1. Press [1] to toggle flag ON or OFF.
- Press [1-8] or [up arrow] to go to another option under Flag 1.
- Press [SET] to save change then [RESET] to leave menu or Press [RESET] twice to leave menu.



LED Keypad:

- Press [1] to show status of first option of System Flag 1. Press [1] or [PROG] to toggle flag ON or OFF.
- Press [1-8] to go to another option of Flag 1.
- Press [SET] to save change then [RESET] to leave menu or Press [RESET] twice to leave menu.



Flag 1 - Options

There are eight options under Flag1 which are described below:

1 = Silent PA

When this flag is set to ON, operating PA will cause a silent PA alarm. Pressing the [1] button toggles the flag ON or OFF.

2 = RKP PA

When this flag is set to ON, the keypad PA buttons are enabled. Pressing the [2] button toggles the flag ON or OFF.

3 = Engineer Reset

When this flag is set to ON, an engineer code must be entered to reset the system after Tamper, PA or Fire alarm. When the flag is set to OFF the system can be reset by the user. Pressing the [3] button toggles the flag ON or OFF.

4 = PA User Reset

When this flag is set to ON, it permits the user to reset the system after a PA alarm, by pressing the [RESET] button. The user can reset the system even if the **Engineer Reset** flag is set to ON. Pressing the [4] button toggles the flag ON or OFF.

5 = Fire User Reset

When this flag is set to ON, it permits the user to reset the system after a Fire alarm by pressing the [RESET] button. The user can reset the system even if the **Engineer Reset** flag is set to ON. Pressing the [5] button toggles the flag ON or OFF.

6 = Bells in Fire

When this flag is set to ON, the external siren *Bell box* will sound two seconds On/two second Off during the fire alarm. Pressing the [6] button toggles the flag ON or OFF.

7 = Zone 7 Fire

When this flag is set to ON it permits zone 7 to be used as a Fire zone. Pressing the [7] button toggles the flag ON or OFF.

8 = Zone 8 Fire

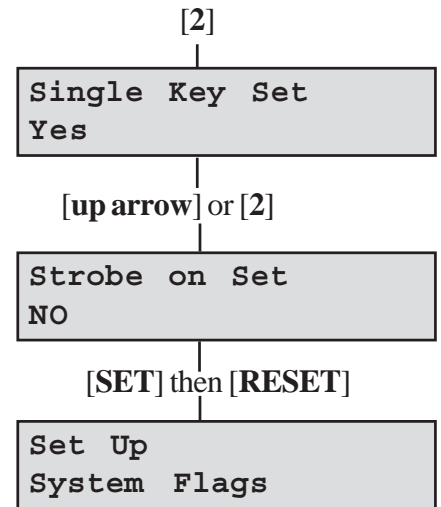
When this flag is set to ON it permits zone 8 to be used as a Fire zone. Pressing the [8] button toggles the flag ON or OFF.

Flag 2

NOTE: Pressing the [9] button sets all flags ON. Pressing the [0] button sets all flags OFF. Pressing the [RESET] button leaves the function.

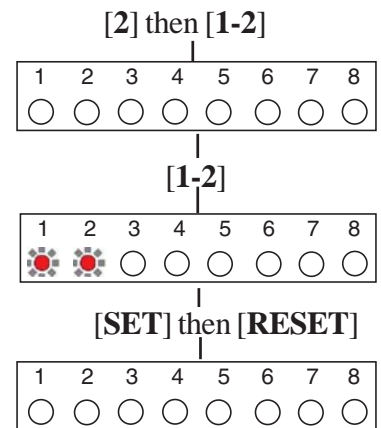
LCD Keypad:

- Press [2] to select System Flag 2. Press [1-2] or [SET] to toggle flag on or off.
- Press [up arrow] or [2] to go to second option of Flag 2.
- Press [SET] to save changes and then [RESET] to leave menu or press [RESET] twice to leave the menu.



LED Keypad:

- Press [2] to select of System Flag 2. Press [1-2] to toggle flag ON or OFF.
- Press [1] and [2] to enable the first and second option of Flag 2.
- Press [SET] to save changes and then [RESET] to leave menu or press [RESET] twice to leave the menu.



Flag 2 - Options

Single Key Set

When this flag is set to ON, it allows the panel to be set by pressing the [SET] button. A code entry is not required. However, a 4-digit code is required to Unset the panel. Pressing the [1] button toggles the flag ON or OFF.

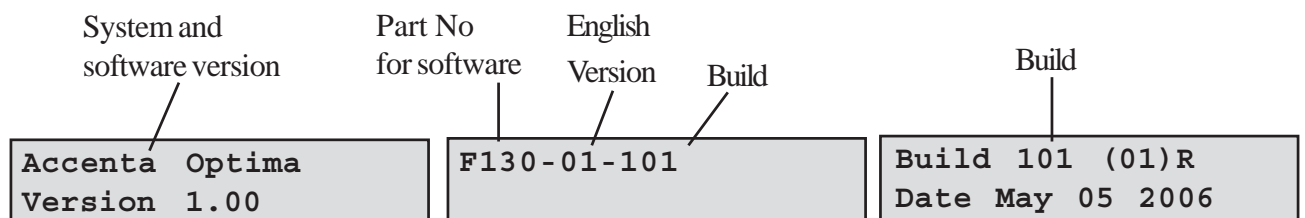
Strobe on Set

When this flag is set to ON, the external strobe will stay on for five seconds once the panel has set. Pressing the [2] button toggles the flag ON or OFF.

Flag 3

Flag 3 shows the Software Version of the panel and may be requested when contacting technical support. Use the up arrow to scroll through the screens.

LCD keypad only: Example information you may see:



4 = Set Up Time and Date

LCD Keypad:

This option allows the **Time** or **Date** to be modified. Pushing button [4] selects the option and the first screen appears as typically below:

The **Time** can be modified in hours, minutes and seconds in the format HH:MM:SS. The number keys on the keypad 0-9 are used for this function. As each digit is modified the cursor moves to the next one. When the time is correct press the [SET] button to accept the change and move to the next screen. To cancel the change press the [RESET] button.

```
Time and Date
Time? 13:46:17
```

The **Date** can be changed in day , month, year format DD-MM-YY. The number keys on the keypad 0-9 are used for this function. As each digit is modified the cursor moves to the next one. When the date is correct press the [SET] button to accept the change. To cancel the change press the [RESET] button.

```
Time and Date
Date? 17-05-06
```

LED Keypad:

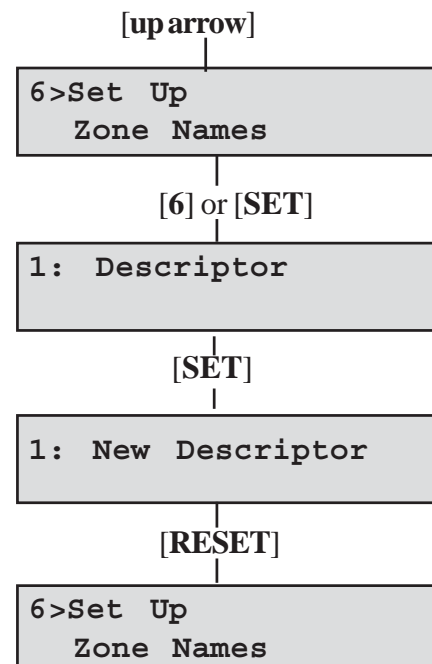
If required, the time and date can be entered as per the procedure for the LCD keypad. However no information will be indicated on the LED keypad. The only indication on the LED keypad that you are in menu 4 **Set up Time and Date** is that LED's 1 to 6 on the LED Keypad will be ON.

6 = Set Up Zone Names

This option allows each of the eight zones to be given a name from the library (**Appendix 2**).

LCD Keypad:

- Press [up arrow] or to go to menu **Set Up Zone Names**.
- Press [6] or [SET] to go to zone 1 descriptor.
- Press [SET] to scroll through the library to the desired descriptor.
- Press the [up arrow] to go to the next zone.
- To assign additional zone descriptors repeat the above procedure.
- Press [RESET] to save programming and leave the function.



LED Keypad:

The LED keypad cannot program zone names.

NOTE: The [up arrow] is not available on the LED keypad.

7 = Set Up Timers

This option allows the **Bell Time**, **Bell Delay** and **Rearm Count** to be changed.

NOTE: The [OMIT] key takes you back to the first digit.

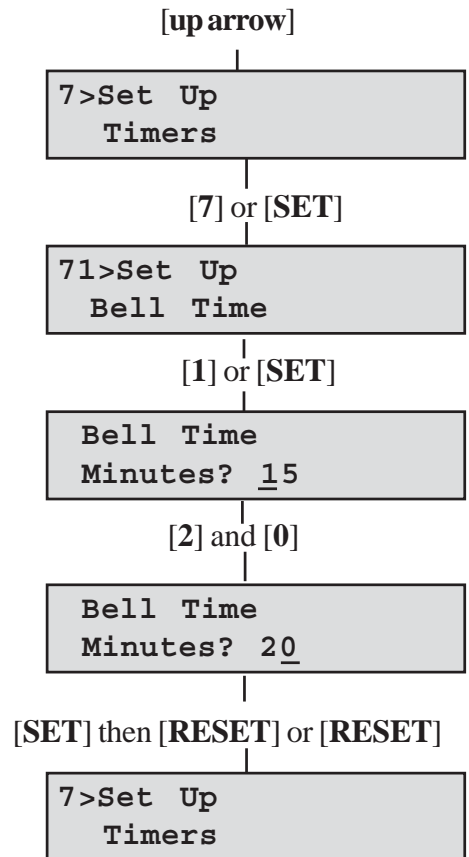
71 = Set Up Bell Time

This is the duration that the external bell output is active. The range is 01-99 minutes. The default is 15 minutes.

LCD keypad:

To change the **Bell Time** from 15 to 20 minutes:

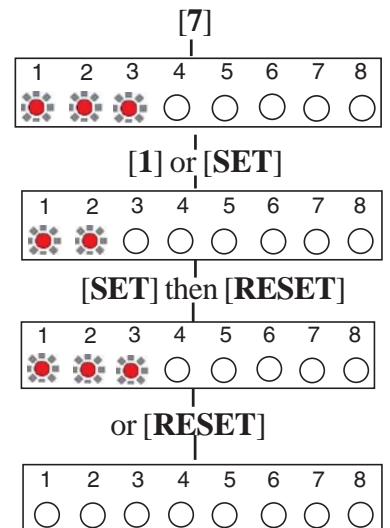
- Press [up arrow] for menu **Set Up Timers**.
- Press [7] or [SET] for option **71 Set up Bell Time**.
- Press [1] or [SET]. The **Bell Time** in minutes is displayed.
- The cursor is under the first digit. Select **2**.
- The cursor moves to the second digit. Select **0**.
- To accept the change press [SET] then [RESET] **OR** to cancel the change press the [RESET] button twice.



LED keypad:

To change the **Bell Time** from 15 to 20 minutes:

- Press [7] or [SET] for option **71 Set up Bell Time**.
- Press [1] or [SET] for Bell Time in minutes. LED's 1 and 2 are on.
- Select [2] then [0]. LED's 1 and 2 are on.
- To accept the change press [SET] then [RESET]. LED's 1, 2 and 3 are on.
- **OR** to cancel the change press the [RESET] button twice.



72 = Set Up Bell Delay

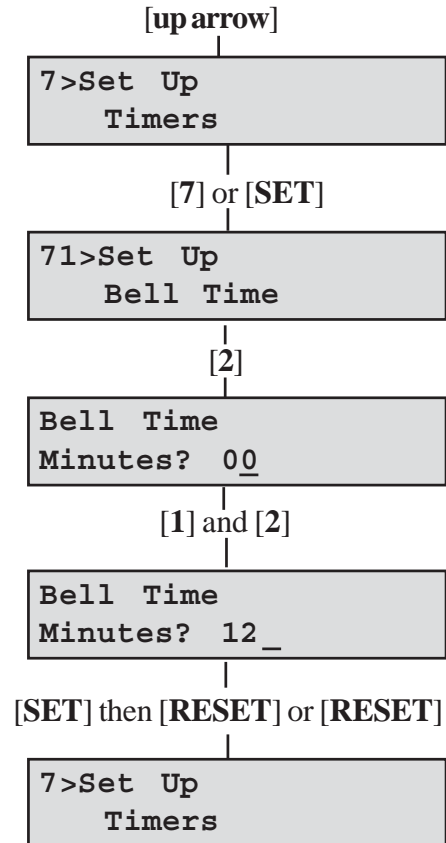
This delays the activation of the Bell for the required time. The range is 00-99 minutes. The default is 00 minutes.

NOTE: The **Bell Delay** delays the bell for one rearm period only. After rearm all alarms are immediate.

LCD keypad:

To change the **Bell Delay** time from 00 to 12 minutes:

- Press [up arrow] for menu **Set Up Timers**.
- Press [7] or [SET]. Option 1 **Set up Bell Time** appears.
- Press [2]. The **Bell Delay** time in minutes is displayed.
- The cursor is under the first digit. Select [1].
- The cursor moves to the second digit. Select [2].
- To accept the change press [SET] then [RESET] **OR** to cancel the change press the [RESET] button twice.

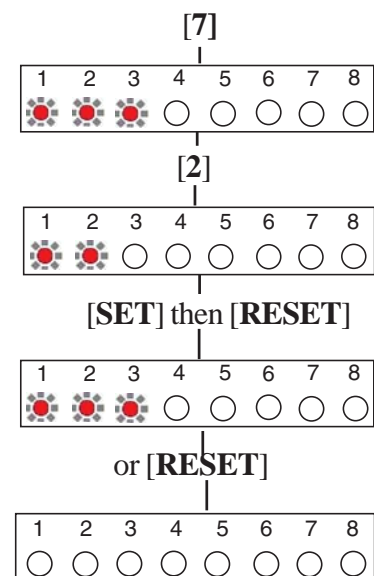


LED keypad:

To change the **Bell Delay** time from 00 to 12 minutes:

- Press [7] to enter **Set up Timers**. LED's 1, 2 and 3 are on.
- Press [2] for **Bell Delay** time in minutes. LED's 1 and 2 are on.
- Select [1] then [2]. LED's 1 and 2 are on.
- To accept the change press [SET]. LED's 1, 2 and 3 are on. Press [RESET].

OR to cancel the change press the [RESET] button twice.



73 = Set Up Rearm Count

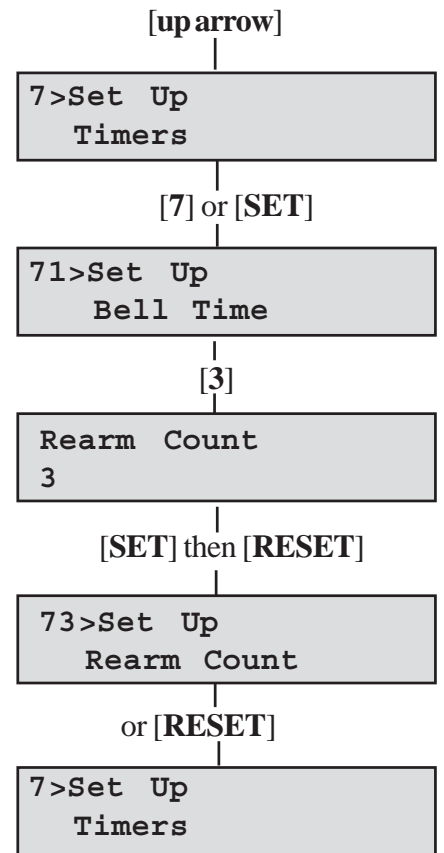
After an alarm the panel will automatically rearm itself when the external siren (Bell) timer has expired. Any zones which still remain open at that time will be automatically omitted. The default is 3 rearms.

- 0 = no rearms
- 1-8 = number of rearms
- 9 = always rearm

LCD keypad:

To change the **Rearm Count**:

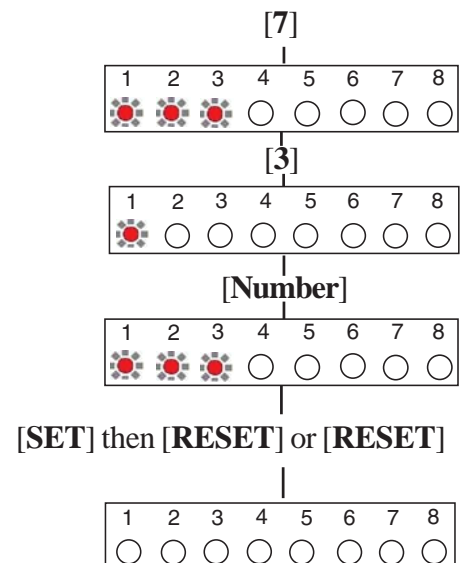
- Press [up arrow] for menu **Set Up Timers**.
- Press [7] or [SET]. Option 1 **Set up Bell Time** appears.
- Press [3]. The **Rearm Count** is displayed (default 3).
- Select a number [0 - 9] to change the rearm count.
- To accept the change press [SET] then [RESET]
- **OR** to cancel the change press the [RESET] button twice.



LED Keypad:

To change the **Rearm Count**:

- Press [7] to enter **Set Up Timers**. LED's 1, 2 and 3 are on.
- Press [3] for **Rearm Count**. LED 1 is on.
- Select a number [0 - 9] to change the rearm count.
- To accept the change press [SET]. LED's 1, 2 and 3 are on. Press [RESET].
- **OR** to cancel the change press the [RESET] button twice.



8 = Set Up Codes

There are four codes used in the system, all are 4 digit and can be set to any number from 0000 to 9999. The access codes ensure that only authorised users can operate the system.

User 1 and 2 codes

The user 1 and user 2 codes have the same operation for testing, Setting and Unsetting, but user 1 code which is usually considered to be the Manager's code has the authority to add, change or delete the user 2 code and duress code.

Duress code

Should be used in a hold up situation where there is pressure to Set or Unset the system. Entry of the code will allow the system to work normally but also generate a silent PA type alarm by operating the PA communicator output. The duress code is not applicable for Optima compact system.

Engineer code

Accesses the *Engineer program mode* to allow the system to be programmed. The engineer code will not set or unset the system.

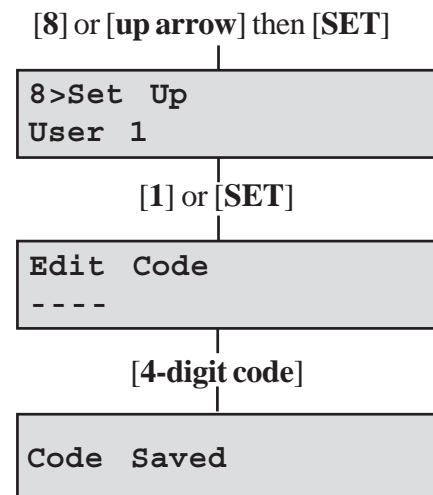
If configured the Engineer's code can be used to reset the system after an alarm.

NOTE: Entering an invalid user code will operate the code tamper. After 17 incorrect keypushes a full alarm condition will be generated.

LCD Keypad:

To change User code:

- Press the **8**] button on the keypad or press the **[up arrow]** for **Set Up Codes**. Then press **[SET]**.
- Press the **1**] or **[SET]** button on the keypad to edit user code.
- Enter the new **4-digit code**].
- Upon the last keypress the code is saved.



To change the other codes: Press the **[up arrow]** to move through the codes.

[2] = User 2

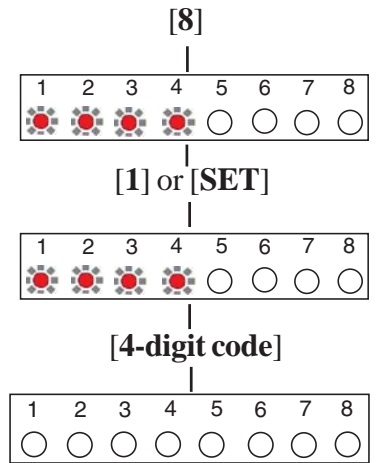
[3] = Duress

[4] = Engineer

LED Keypad:

To change User code:

- Press [8] to edit user code. LED's 1-4 are on.
- Press [1] or [SET] to edit user code 1. LED's 1-4 are on.
- Enter the new 4-digit code.
- Upon the last keypress the new code is saved.
- To leave menu press [RESET] twice.



The other codes are changed in a similar manner from step 2;

Press [2] for User 2

Press [3] for Duress code

Press [4] for Engineer code.

NOTE: To delete the 4-digit code from User 2 or Duress, enter into **Edit Code** and press [OMIT].

C = View Event Log

1 = LCD Keypad:

The event log gives a display of all the events that have taken place. The events are arranged by date and time. Up to 250 events can be stored in the memory. When the log reaches 250 events and another event takes place, the first event drops out. The system is known as FILO (First In Last Out).

To view the event log:

- Press the **[up arrow]** until you come to the first screen.
- Press **[CHIME]** or **[SET]**.
- Choose **[1]** for Event Log in LCD screen.
- The last event (250) appears on LCD screen.

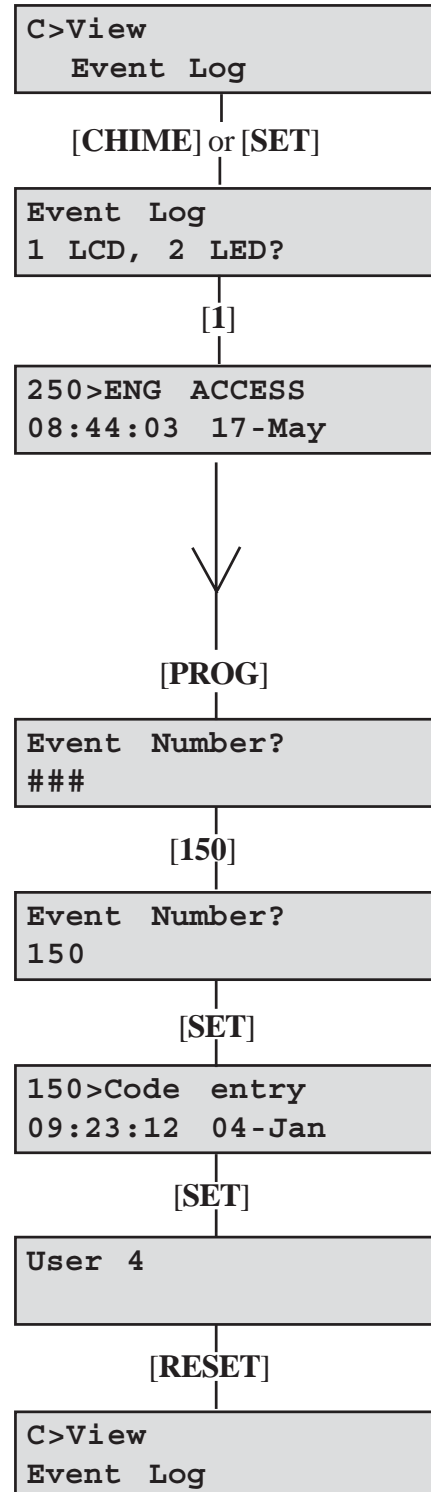
To go forward through the event log in sequence, press **[OMIT]**.

To go back through the event log in sequence, press the **[up arrow]**.

- Press **[RESET]** twice to leave the menu

To go to a specific event:

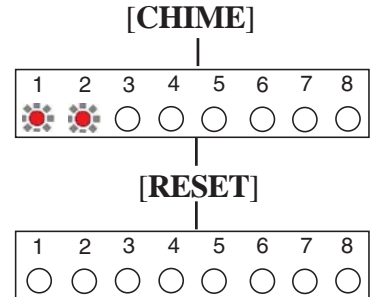
- Press the **[PROG]** button.
- Key in Event Number you want to see (eg 150).
- Press the **[SET]** button. The event appears on the LCD screen.
- Press **[SET]** again to see further details of the event.
- Press **[RESET]** twice to leave the menu option.



2 = LED Keypad:

The LED keypad is limited to show the last eight set periods with the eighth being the oldest. Zone, PA and Tamper indicators will be lit to show zone in alarm. Flashing LED indicates the first zone in alarm. Day indicates the status of the panel at the time of the alarm.

- Press **[CHIME]** to enter into Event Log menu. LED's 1 and 2 are on.
- Press **[2]** for LED keypad. The first zone to activate is indicated by a flashing LED.
- Press **[1 to 8]** for the desired event or **[CHIME]** to go through events in sequence.
- Press **[RESET]** twice to leave the menu.



O = Omit Allow and Double Knock

1 = Double Knock

Double knock programming is used when zones are likely to create false activations. Double knock requires two activations within 10 minutes of the same zone or a zone left open for 10 seconds.

NOTE: It is not advisable to apply Double Knock to magnetic door contacts. Double Knock cannot be applied to Fire Zones. By default, no zones are in Double Knock mode and all zones are enabled as Omit Allow.

LCD Keypad:

Programming a Zone as Double Knock

The **[up arrow]** scrolls through zones.

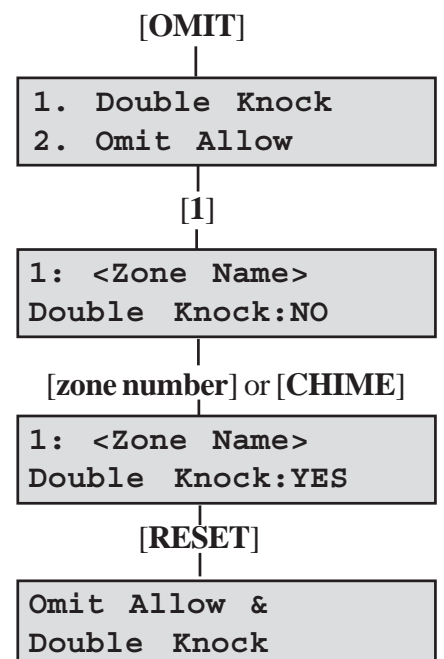
Press **[CHIME]** to toggle double knock status on or off.

Press **[9]** to turn all double knock zones on.

Press **[0]** to turn all double knock zones off.

While in *Engineer program mode* press **[OMIT]** or press **[up arrow]** until **0>Omit allow & Double Knock** is displayed then press **[SET]**.

- Press **[1]** to select Double Knock. The first zone is displayed with status NO or YES.
- Press the **[zone number]** or **[CHIME]** to toggle the status on or off.
- Press the **[up arrow]** or **[zone number]** to go to the other zones and follow the same procedure as above.
- Press **[RESET]** twice to leave the menu.



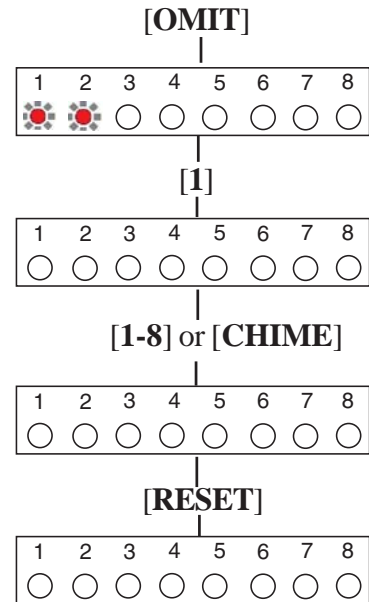
LED Keypad:

Press [**CHIME**] to toggle double knock status on or off.

Press [**9**] to turn all double knock zones on.

Press [**0**] to turn all double knock zones off.

- Press [**OMIT**] to enter into menu. LED's 1 and 2 are on.
- Press [**1**] to select Double Knock.
- Press zone number [**1-8**] to choose a particular zone.
- Press the zone **number**] or [**CHIME**] to toggle the double knock status on or off. The appropriate LED is on when the zone is set up as Double Knock. Default settings are off.
- Press [**RESET**] twice to leave the menu.



2 = Omit Allow

When a zone is programmed as **Omit Allow**, the panel allows the zone to be omitted for one set period by the user when setting the system.

Programming a Zone as Omit Allow

The [**up arrow**] scrolls through zones.

Press [**CHIME**] to toggle omit allow status on or off.

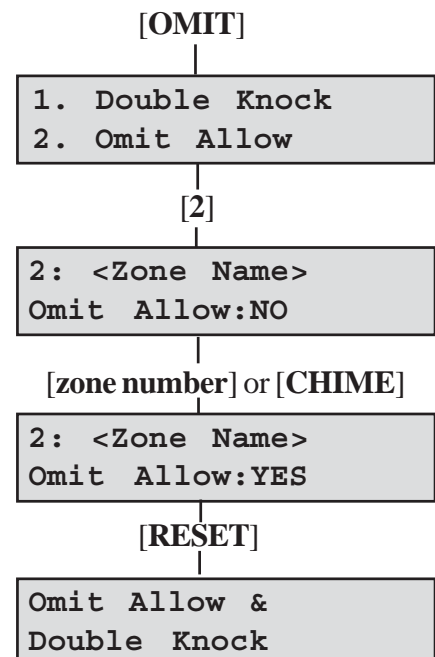
Press [**9**] to turn all omit allow zones on.

Press [**0**] to turn all omit allow zones off.

LCD Keypad:

While in *Engineer program mode* press [**OMIT**] or press [**up arrow**] until **0>Omit allow & Double Knock** is displayed then press [**SET**].

- Press [**2**] to select Omit Allow. The first zone is displayed with status on or off.
- Press the **zone number**] or [**CHIME**] to toggle the status on or off.
- Press the [**up arrow**] or [**zone number**] to go to the other zones and follow the same procedure as above.
- Press [**RESET**] twice to leave the menu.



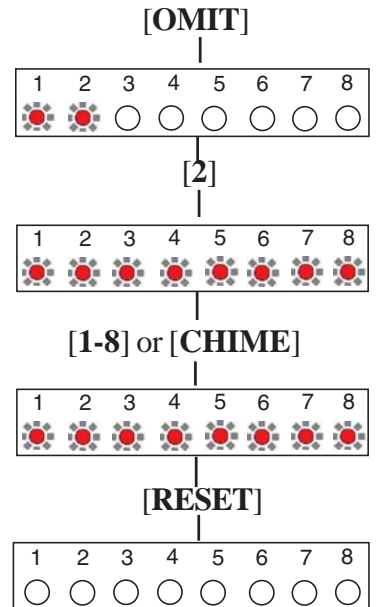
LED Keypad:

Press [CHIME] to toggle omit allow status on or off.

Press [9] to turn all omit allow zones on.

Press [0] to turn all omit allow zones off.

- Press [OMIT] to enter into menu. LED 2 is on.
- Press [2] to select **Omit Allow**.
- Press zone number [1-8] to choose a particular zone.
- Press the **zone number** or [CHIME] to toggle the omit allow status on or off. The appropriate LED is on when the zone is set up as omit allow. Default settings are off.
- Press [RESET] twice to leave the menu.



P = Set Up Programs

The panel uses three setting routines known as programs. Each program may have a different **Exit Mode**. These are 0 = Disabled, 1 = Timed, 2 = Final Door or 3 = Silent Timed. Zones can also be assigned different functions in different programs. Refer to the following diagram for the programming structure.

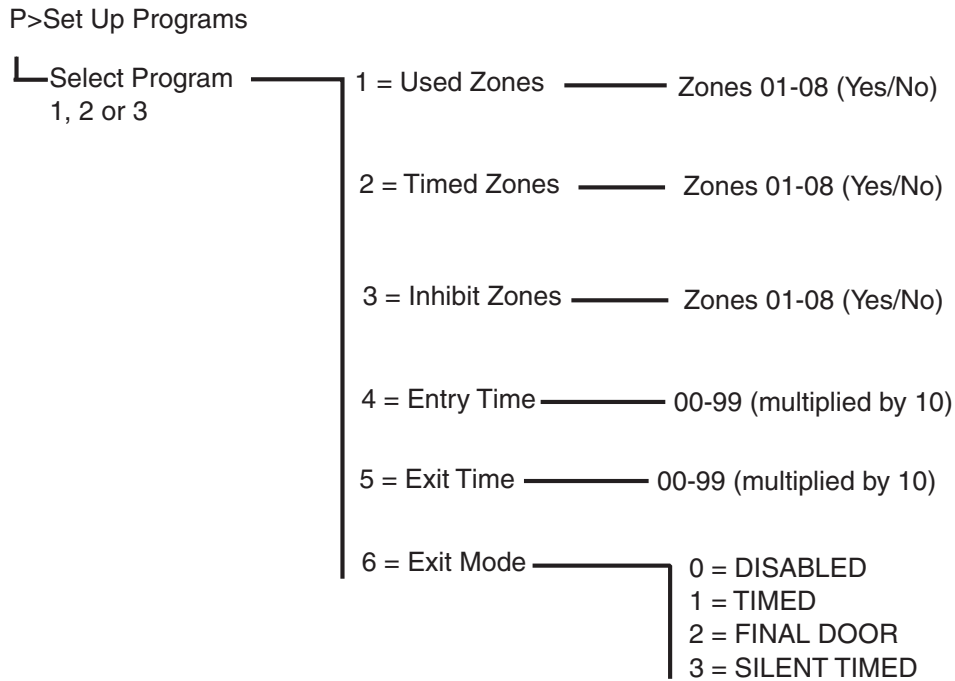


Figure 16. Programming structure

Notes on Zones

For any program a zone cannot be both timed and inhibited. If a zone is selected as one it will be removed from the other.

Zones in the timed and inhibited lists will be automatically added to the used list.

Zones removed from the used list will be removed from the timed and inhibited lists.

If a timed zone is left open on rearm, any inhibit zones will act as a timed zone during that set period.

1 = Used Zones

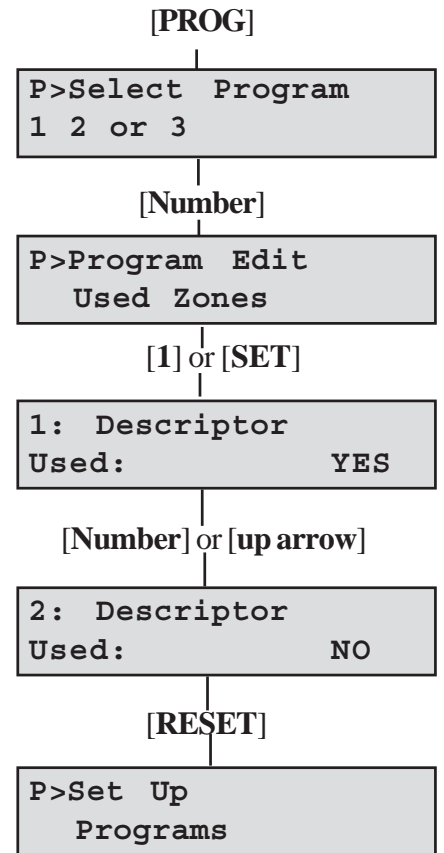
The zones on the system can either be programmed as Used or Unused. A zone that is programmed as unused by the engineer, is still available for chime or fire. Unused zones are primarily used for Part Set options. There must always be at least one used zone in program 1. The panel will enforce this if none are selected by automatically setting zone 1 to used.

LCD Keypad:

NOTE: Pressing the number toggles the zone ON or OFF

While in *Engineer program mode*, to set up zones as used,

- Press **PROG** to give a choice of programs or press **[up arrow]** until **P>Set Up Programs** is displayed then press **[SET]**.
- Select program 1, 2 or 3.
- The first screen to appear is **Program Edit Used Zones**.
- Press **[1]** or **[SET]**. The first zone can now be set as used or unused.
- To edit the other zones press **Number** or **[up arrow]** to go to a particular zone.
- Press **[RESET]** three times to leave menu.

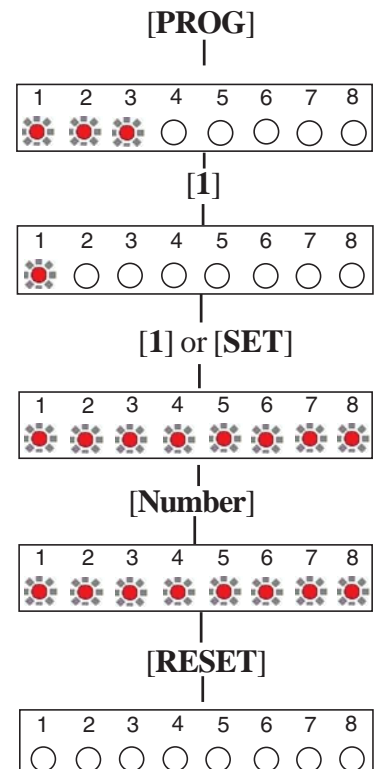


LED Keypad:

NOTE: Pressing the number toggles the zone ON or OFF

While in *Engineer program mode*, to set up zones as used,

- Press **PROG** to give a choice of programs. LED's 1, 2 and 3 are flashing.
- Select program **[1, 2 or 3]**. If program 1 is selected, LED 1 is ON.
- Press **[1]** or **[SET]**. The first zone can now be set as used or unused. If used, then LED is on
- To edit the other zones press **Number** to go to a particular zone. Default settings are on.
- Press **[RESET]** three times to leave menu.



2 = Timed Zones

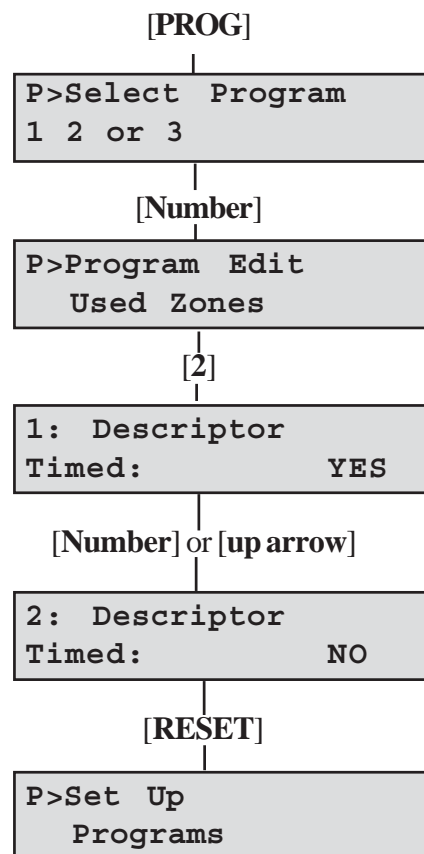
A zone programmed as Timed would be used to protect the main entry/exit door of the entry route.

LCD Keypad:

NOTE: Pressing the number toggles the zone ON or OFF

While in *Engineer program mode*, to set up zones as timed,

- Press **[PROG]** to give a choice of programs or press **[up arrow]** until **P>Set Up Programs** is displayed then press **[SET]**.
- Select program 1, 2 or 3.
- The first screen to appear is **Program Edit Used Zones**.
- Press **[2]** to enter into **Timed Zones**. The first zone can now be set as timed or untimed.
- To edit the other zones press **Number** or **[up arrow]** to go to a particular zone.
- Press **[RESET]** three times to leave menu.

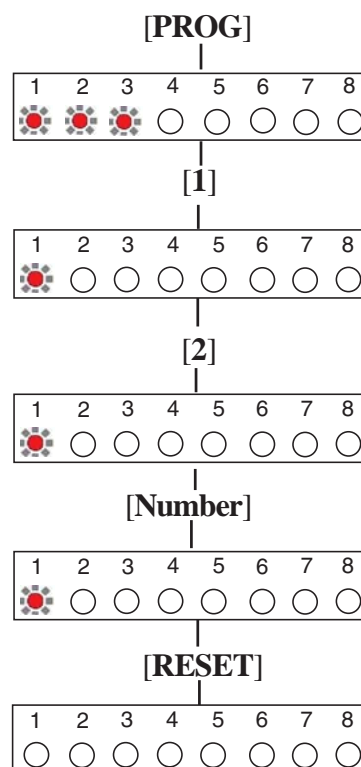


LED Keypad:

NOTE: Pressing the number toggles the zone ON or OFF

While in *Engineer program mode*, to set up zones as timed,

- Press **[PROG]** to give a choice of programs. LED's 1, 2 and 3 are flashing.
- Select program **[1, 2 or 3]**. If program 1 is selected, LED 1 is ON.
- Press **[2]** to enter into **Timed Zones**. The first zone can now be set as timed or untimed.
- To edit the other zones press **Number** to go to a particular zone. Default settings are shown opposite.
- Press **[RESET]** three times to leave menu.



3 = Inhibit Zones

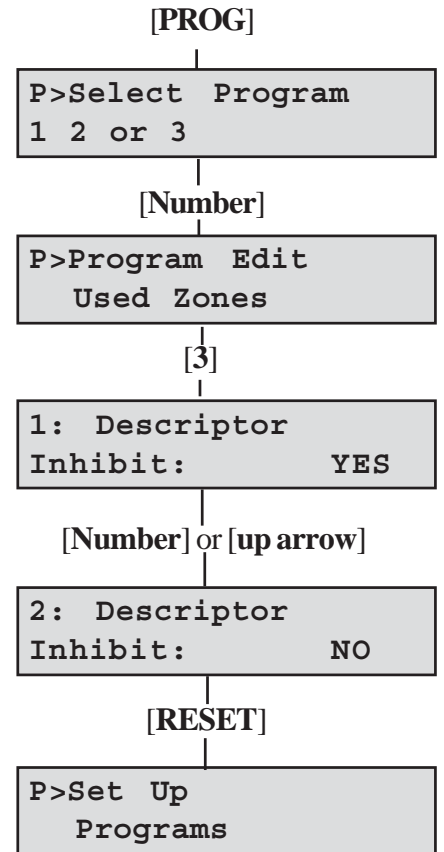
This is a zone which, on setting the panel, allows access to the entry/exit zone. However, if the panel is set and a time inhibited zone is triggered before an entry/exit timed zone then an alarm will be generated immediately.

LCD Keypad:

NOTE: Pressing the number toggles the zone ON or OFF

While in *Engineer program mode*, to set up zones as inhibit,

- Press **PROG** to give a choice of programs or press **[up arrow]** until **P>Set Up Programs** is displayed then press **[SET]**.
- Select program 1, 2 or 3.
- The first screen to appear is **Program Edit Used Zones**.
- Press **3** to enter into **Inhibit Zones**. The first zone can now be set as inhibited or uninhibited.
- To edit the other zones press **Number** or **[up arrow]** to go to a particular zone.
- Press **RESET** three times to leave menu.

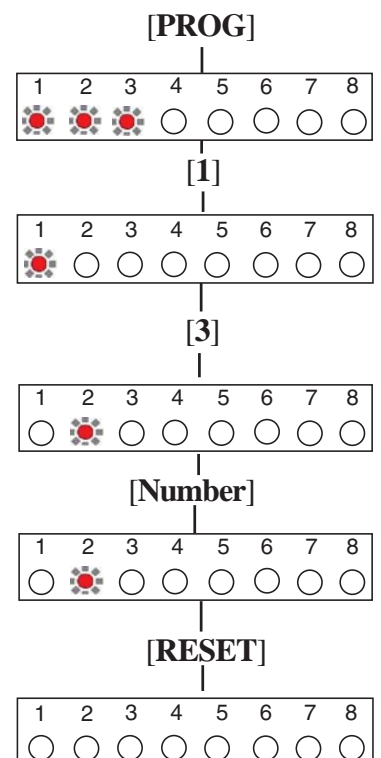


LED Keypad:

NOTE: Pressing the number toggles the zone ON or OFF

While in *Engineer program mode*, to set up zones as inhibited,

- Press **PROG** to give a choice of programs. LED's 1, 2 and 3 are flashing.
- Select program **1, 2 or 3**. If program 1 is selected, LED 1 is ON.
- Press **3** to enter into **Inhibit Zones**. The first zone can now be set as inhibited or uninhibited.
- To edit the other zones press **Number** to go to a particular zone. Default settings are shown opposite.
- Press **RESET** three times to leave menu.



Immediate (Intruder) Zone

This is a zone which will, when enabled as used and then activated, go into alarm when the panel is set. To assign a zone as immediate, remove the timed or timed inhibit function and make sure that it is enabled in the **Used Zones** section.

4 = Entry Time

This is the time allowed to enter the premises via the entry route and unset the system. The programmable range is 00-99 seconds. The actual time is multiplied by 10.

00 = 5 seconds

01 = 10 seconds

03 = 30 seconds

99 = 990 seconds (16.5 minutes)

The default is 30 seconds.

LCD Keypad:

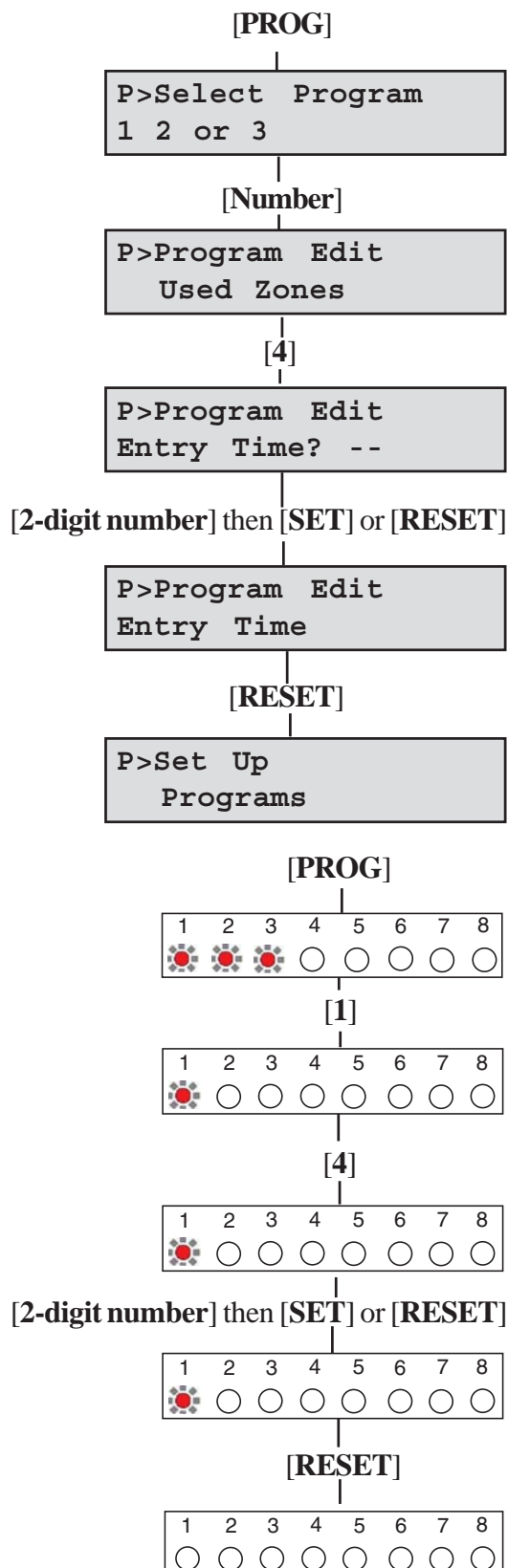
While in *Engineer program mode*, to set the entry time,

- Press **PROG**] to give a choice of programs or press **[up arrow]** until **P>Set Up Programs** is displayed then press **[SET]**.
- Select program 1, 2 or 3.
- The first screen to appear is **Program Edit Used Zones**.
- Press **[4]** to enter into **Entry Time** edit. The **Entry Time** can now be changed.
- Enter a **[2-digit number]** from 00 to 99.
- Press **[SET]** to accept change or **[RESET]** to cancel.
- Press **[RESET]** twice to leave menu.

LED Keypad:

While in *Engineer program mode*, to set the entry time,

- Press **PROG**] to give a choice of programs. LED's 1, 2 and 3 are flashing.
- Select program 1, 2 or 3. If program 1 is selected, LED 1 is ON.
- Select **[4]** to enter into **Entry Time** edit. The **Entry Time** can now be changed. LED 1 is ON.
- Enter a **[2-digit number]** from 00 to 99. LED 1 is ON.
- Press **[SET]** to accept change or **[RESET]** to cancel.
- Press **[RESET]** twice to leave menu.



5 = Exit Time

This is the time allowed to leave the premises via the exit route before the system sets. The programmable range is 00-99 seconds. The actual time is multiplied by 10.

If the **Exit Time** is interrupted within the last 10 seconds, then the **Exit Time** will restart at 10 seconds after the interruption has cleared.

00 = 5 seconds

01 = 10 seconds

03 = 30 seconds

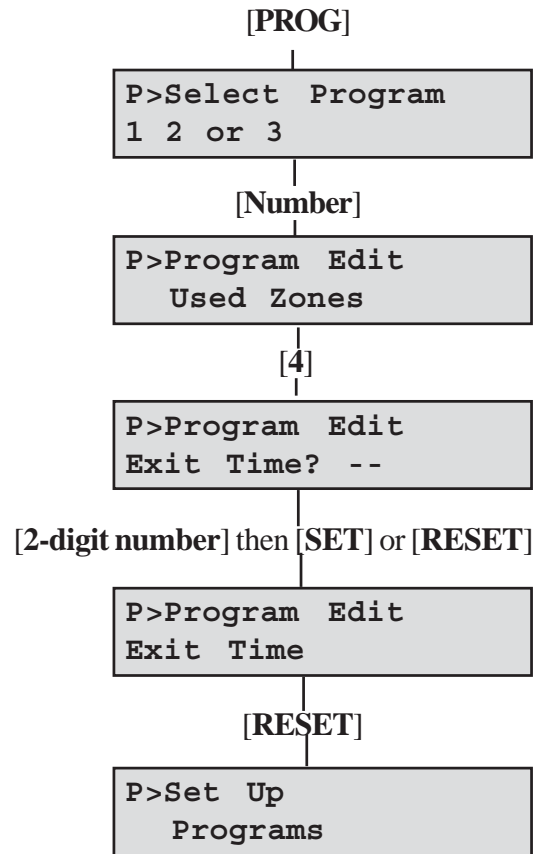
99 = 990 seconds (16.5 minutes)

The default is 30 seconds.

LCD Keypad:

While in *Engineer program mode*, to set the **Exit Time**,

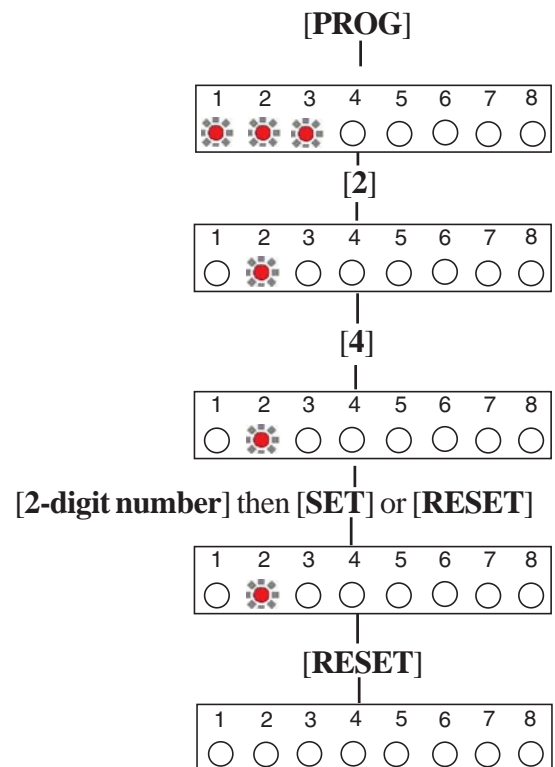
- Press **PROG** to give a choice of programs or press **[up arrow]** until **P>Set Up Programs** is displayed then press **[SET]**.
- Select program 1, 2 or 3.
- The first screen to appear is **Program Edit Used Zones**.
- Press **[5]** to enter into **Exit Time** edit. The **Exit Time** can now be changed.
- Enter a **[2-digit number]** from 00 to 99.
- Press **[SET]** to accept change or **[RESET]** to cancel.
- Press **[RESET]** twice to leave menu.



LED Keypad:

While in *Engineer program mode*, to set the **Exit Time**,

- Press **PROG** to give a choice of programs. LED's 1, 2 and 3 are flashing.
- Select program 1, 2 or 3. If program 2 is selected, LED 2 is ON.
- Select **[4]** to enter into **Exit Time** edit. The **Exit Time** can now be changed. LED 2 is ON.
- Enter a **[2-digit number]** from 00 to 99. LED 2 is ON.
- Press **[SET]** to accept change or **[RESET]** to cancel.
- Press **[RESET]** twice to leave menu.



6 = Exit Mode

This program determines the way the panel functions during the exit time. There are four settings:

0 = Disabled

A disabled program is not available for use and cannot be selected at setting time. Program 1 cannot be disabled.

1 = Timed

A timed program will become Set as the Exit timer expires.

2 = Final Door

A final door program will be set five seconds after a timed zone is closed if the rest of the zones are clear to set.

NOTE: Final door programs must have a timed zone in order to operate correctly.

3 = Silent Timed

This operates exactly the same as **Timed** but completely silent without internal sounder signal.

NOTE: If a program is not selected when the user sets the system, program 1 will automatically set. Therefore program 1 is usually considered as the Full Set Program containing all the zones.

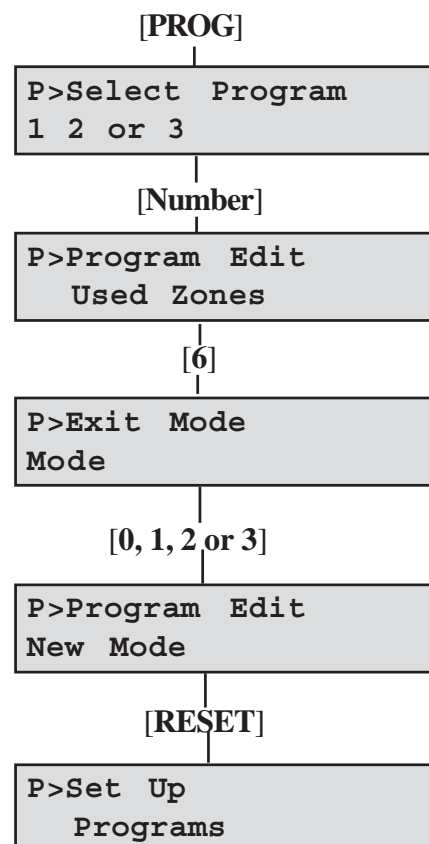
LCD Keypad:

While in *Engineer program mode*, to set the **Exit Mode**,

- Press **PROG**] to give a choice of programs or press **[up arrow]** until **P>Set Up Programs** is displayed then press **[SET]**.
- Select program 1, 2 or 3.
- The first screen to appear is **Program Edit Used Zones**.
- Press **[6]** to enter into **Exit Mode** edit. The **Exit Mode** can now be changed.
- Enter **[0, 1, 2 or 3]** for required **Exit Mode**.

NOTE: Program Mode DISABLED is not available in program 1.

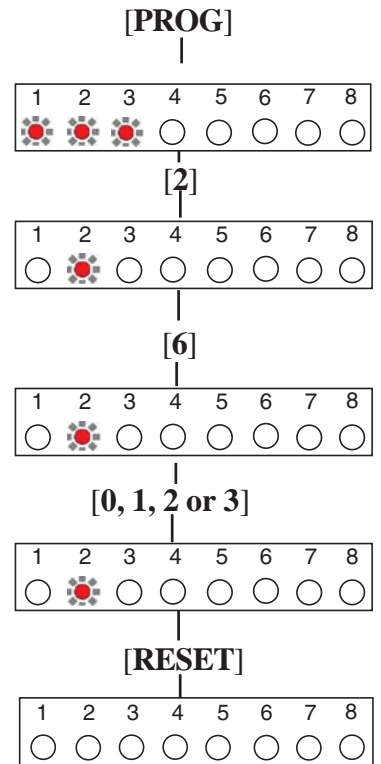
- Press **RESET]** three times to save change and leave menu.



LED Keypad:

While in *Engineer program mode*, to set the **Exit Mode**,

- Press **PROG**] to give a choice of programs. LED's 1, 2 and 3 are flashing.
 - Select program 1, 2 or 3. If program 2 is selected, LED 2 is ON.
 - Press **6**] to enter into **Exit Mode** edit. The **Exit Mode** can now be changed.
 - Enter **0, 1, 2 or 3**] for required **Exit Mode**. Appropriate LED is ON for selected mode (1 = disabled, 2 = timed, 3 = final door, 4 = silent timed)
- NOTE:** Program Mode DISABLED is not available in program 1.
- Press **RESET**] three times to save change and leave menu.



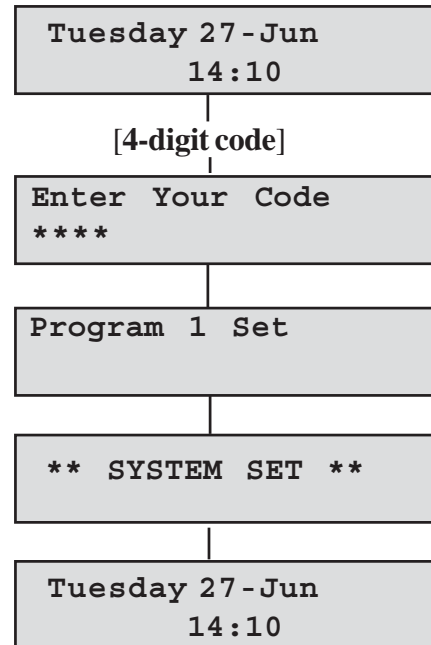
Operating the System

This section gives a brief description of how to set and unset the system as well as how to reset after an alarm. For further information please refer to the Gen 4 Series User Guide.

Setting the System

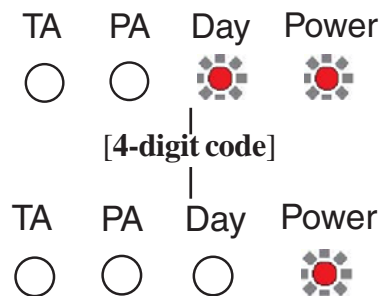
LCD Keypad:

- The system shows the day mode display. The system is unset. The **Power** and **Day** LED's are ON.
- Enter your 4-digit code (0123 default) and check that the system is clear (no zone indicators on).
- The exit tone begins to sound and the display shows either program 1, 2 or 3 is in the process of setting.
- Leave the premises by the agreed exit route.
- The exit tone becomes rapid during the last 10 seconds and then stops when the system sets. The **Day** LED goes OFF.
- After 30 seconds the day mode display appears.



LED Keypad:

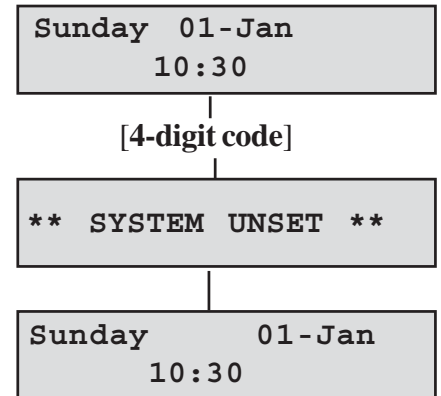
- The system is unset. The **Power** and **Day** LED's are ON.
- Enter your 4-digit code (0123 default) and check that the system is clear (no zone indicators on).
- The exit tone begins to sound to indicate that the system is in the process of setting.
- Leave the premises by the agreed exit route.
- The exit tone becomes rapid during the last 10 seconds and then stops when the system sets. The **Day** LED goes OFF.



Unsetting the System

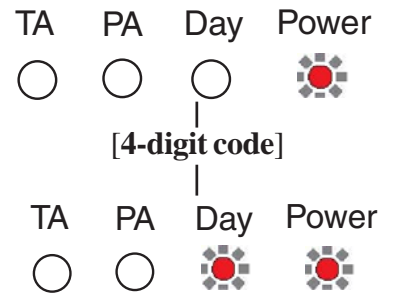
LCD Keypad:

- Enter the premises by the agreed entry route. The system produces an entry tone. The **Power** LED is ON and the **Day** LED is OFF indicating that the system is set.
- Enter your 4-digit code (0123 default).
- The system unsets with a double beep. The **Day** LED comes ON indicating that the system is unset.
- After 30 seconds the Day Mode display appears.



LED Keypad:

- Enter the premises by the agreed entry route. The system produces an entry tone. The **Power** LED is ON and the **Day** LED is OFF indicating that the system is set.
- Enter your 4-digit code (0123 default).
- The system unsets with a double beep. The **Day** LED comes ON indicating that the system is unset.



Resetting After an Alarm, Tamper or PA

The system may be programmed to be reset by the user or the installer. This is dependent on System flags set up. See **Menu 3, Set Up System Flags**.

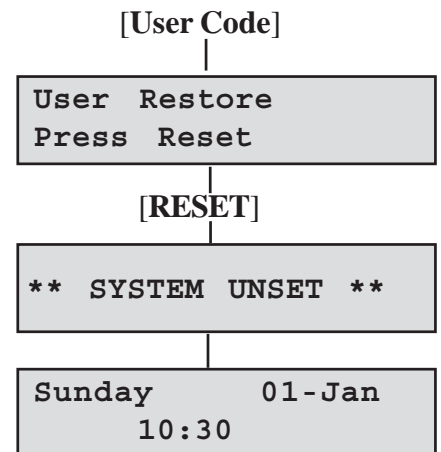
The duration of the audible alarm is subject to the **Bell Time** (menu 7.1=Set Up Timers.Bell Time)

NOTE: The user can reset a PA or Fire alarm only if the function is enabled in System Flags menu 3.1.4 and 3.1.5. respectively.

User Reset - LCD Keypad:

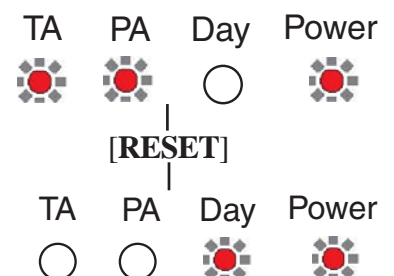
When system is in alarm or tamper:

- Enter a valid user code.
- Press the **RESET** button. The LED goes OFF.
- The system resets and goes into day mode.
- After 30 seconds the day mode display appears



User Reset - LED Keypad:

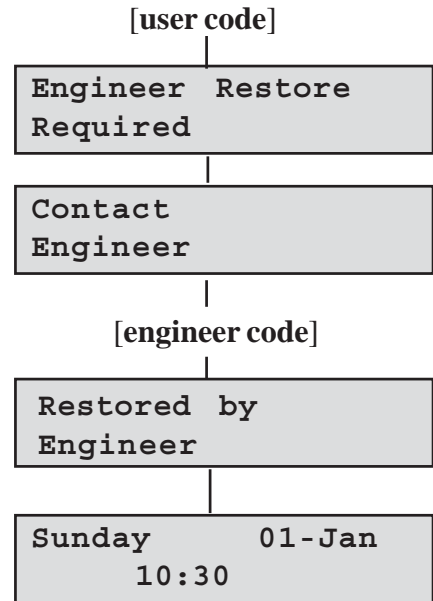
- When system is in alarm or tamper:
- Enter a valid user code. The appropriate LED will be flashing.
- Press the **RESET** button. The LED goes OFF.
- The system goes into day mode. The Day LED is on.



Engineer Reset - LCD Keypad:

After a tamper an engineer reset is required if the **Engineer Reset** flag is enabled.

- Enter your user code **0123** default. If the system has to be set by an engineer the message **Engineer Restore Required** is displayed.
- Enter your 4-digit engineer code **0999** default).
- The system resets and goes into day mode.



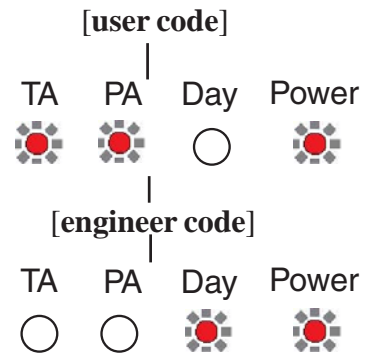
Engineer Reset - LED Keypad:

After a tamper an engineer reset is required if the **Engineer Reset** flag is enabled.

- Enter your user code **0123** default. When System is in Tamper the appropriate LED will be flashing.

NOTE: Only the first event will cause the LED to flash. Subsequent events will have a steady ON condition.

- Enter your 4-digit engineer code **0999** default). The Tamper LED goes OFF and the system resets
- The system is in day mode. The Day LED is on.



Faults

Fault conditions are often the result of minor installation errors.

Whenever working close to the mains supply or connector, you should exercise extreme caution. Always isolate the mains supply before removing the control panel covers.

Codes

As supplied the default user code is **0123** and the engineer code is **9999**. Both codes can revert back to default settings. See **Defaulting Panel to Factory Settings** and **Defaulting User Code 1 and Engineer Code**.

Engineer Mode

The Engineer Program is accessed directly from Day mode via the engineer code.

Tamper/PA/Fire Faults

If a tamper, PA or Fire fault is present on the system, it will go to a lock out condition (showing the appropriate indication). The keypad will produce audible responses and the system will allow an engineer to access the panel and rectify the fault. The panel will remain in lockout until the fault has been rectified.

Zone Wiring

It is recommended that only one detector is wired to each zone as this allows the event log to record the operation of each detector. However, if multiple detectors are connected to a zone, their alarm outputs must be wired in series.

If used, all detector tamper outputs are wired in series back to the control panel to the terminal marked TAMP. (see **Figure 7. Security Zone Wiring**).

Zone Faults

Where a permanent zone fault is showing and the loop resistance is found to be in order, the most probable cause is a short circuit between the zone wiring and the tamper wiring. When measured with a multimeter the series resistance between the zone and tamper wiring should be infinitely high.

If after thorough investigation a fault condition persists the panel can be set to factory defaults (see **Defaulting Panel to Factory Settings**).

Fuses

Before testing or replacing any fuses, ALL power must be removed. Fuses which fail continually are almost certainly the result of a short circuit or low resistance across the 13V supply or external siren (bell box) supply (terminal D).

Specifications

8 zones	+ve loop, programmable function in each program
Tamper	-ve loop, internal sounders in Day - Full alarm in Set
PA	+ve loop, always active
External siren (Bell Box) output	12V, adjustable timer (1 - 99 mins) or continuous
Strobe output	12V latching
External speaker	16 ohm (2 maximum) 260mA each
Exit /Entry Timers seconds	Programmable (05 - 990 seconds)
Set output	0V in Day (sinking 400mA) 12V in Set (sourcing 10mA)
Current consumption control panel	Standby 80mA Alarm 250mA
Current consumption (LED keypad)	Standby 40mA Alarm 70mA
Current Consumption (LCD keypad)	Standby 40 mA Alarm 70 mA
Low voltage output	13.8V dc stabilised (+/-5%) up to 350mA
Rechargeable battery	Accenta mini/Optima - 12V, up to 2.1Ah. Accenta metal encl. - 12V, up to 7Ah
Charge Voltage	13.8V dc
Board fuses	1.6A & 1A 20mm quick blow
Mains input fuse	125mA, 250V type T (anti-surge) type approved to IEC 127, part 2 sheet 111
Total Current Output	1A when supported by a fully charged battery
Mains supply voltage	230V (+/-10%) 50Hz max load 0.2A
Ambient operating temperature	0°C to 40°C
Dimensions - Accenta mini/Optima	H: 200mm W: 253mm D: 55mm
Dimensions - Accenta Metal encl.	H: 255mm W: 300mm D: 85mm
Dimensions - LED keypad	H: 84.5mm W: 122mm D: 27.5mm
Dimensions - LCD keypad	H: 105mm W: 135mm D: 25.5mm

Table 3. Specifications

Appendix 1 - Event Log Messages

KEYPAD TEXT	DESCRIPTION
Zone events	
INTRUDER	Intruder zone activated (opened)
ENTRY START	Entry time started
ZONE OMITTED	Zone has been omitted for one set period
FIRE ZONE	Fire zone activated (opened)
ZONE EXCLUDED	Zone has been omitted for one set period
User Events	
CODE ENTRY	User has entered code
SET PROGRAM	User has set the system with program 1, 2 or 3
SYSTEM UNSET	User has unset the system
System Events	
CLEAR LOG	Event log has been cleared
NVM INIT	Panel was set to factory default conditions
START UP	Panel was cold started
PA	PA zone activated
RKP PA	Remote Keypad PA enabled
DURESS CODE	Duress code used to set or unset the system
ENTRY TIMEOUT	Timeout alarm after entry time has expired
SYSTEM REARM	System rearmed after an alarm
CODE TAMPER	Invalid user code was entered
USER RESET	User has reset the system
ENG'R RESET	Engineer has reset the system
ENG ACCESS	Entering engineer program mode
ENG FINISH	Leaving engineer program mode
OLD TIME	Old time indicated before change
NEW TIME	New time indicated after change
OLD DATE	Old date indicated before change
NEW DATE	New date indicated after change
MAINS FAIL	Mains power supply failure
MAINS OK	Mains power supply restored
LOOP TAMPER	Tamper alarm indicated

Table 4. Event Log

Appendix 2 - Library

Attic	Kitchen
Back Door	Landing
Basement	Living Room
Bathroom	Lounge
Bedroom 1	Patio
Bedroom 2	Porch
Bedroom 3	Stairs
Conservatory	Study
Dining Room	Utility Room
Fire Zone	Window 1
Front Door	Window 2
Garage	Window 3
Hall	

Servicing Organisation Details

Servicing Organisation name:

Telephone number:

Date of Installation:

Account Number:

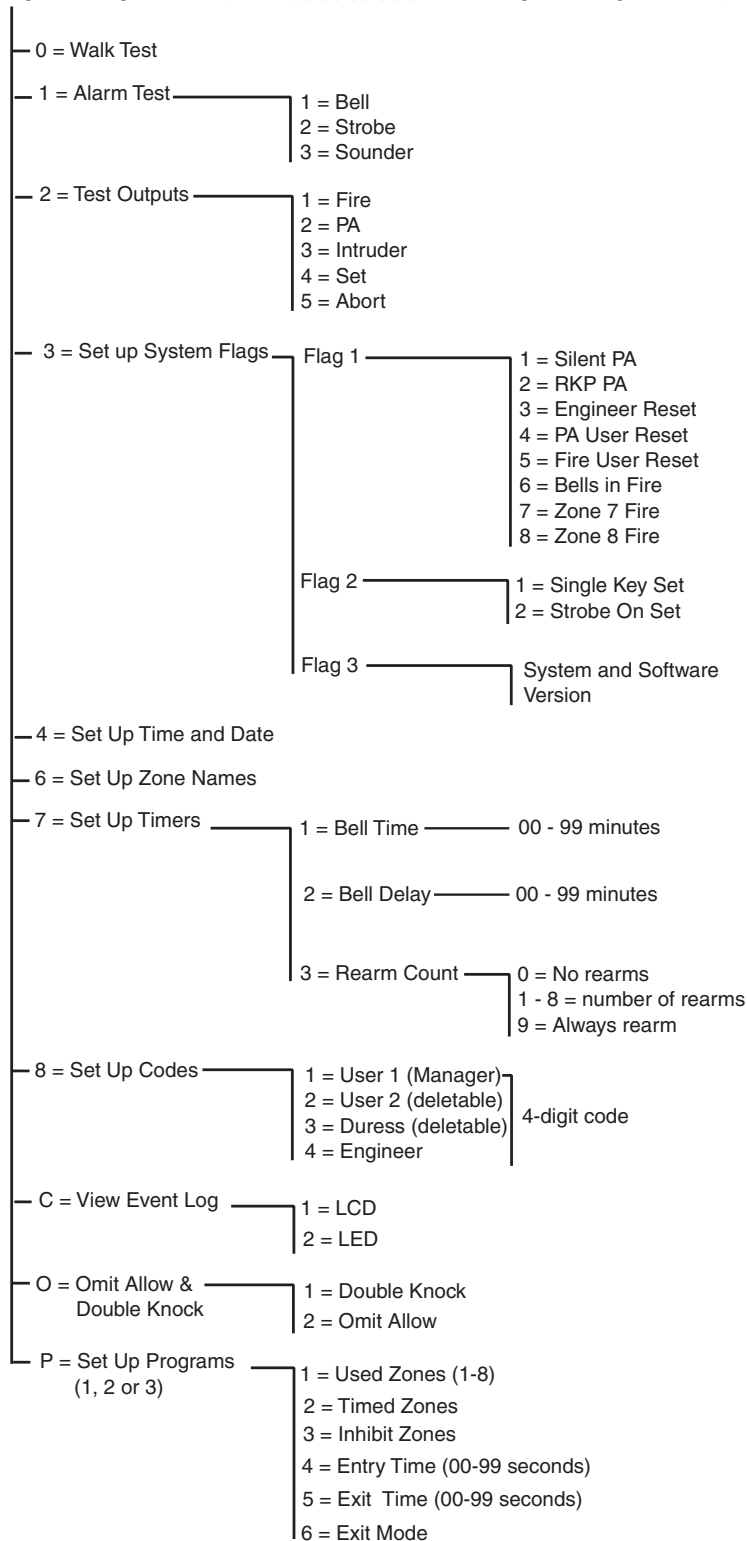
Parts

- 8SP399A Accenta mini panel with LCD keypad
- 8SP400A Accenta mini panel with LED keypad
- 8EP396A Optima compact panel
- 8SP419A Accenta panel metal enclosure with LCD keypad
- 8SP420A Accenta panel metal enclosure with LED keypad
- 8SP401A Accenta panel with remote LED keypad
- 8SP411A Accenta panel with remote LCD keypad
- 8EP417A Accenta LCD remote keypad
- 8EP416 Accenta LED remote keypad
- 8EP276A Informa
- 8EP289 Extension speaker
- IS215T 12 meter PIR

	Resistance (Ω)	Area protection and equipment used (eg PIR, Contacts)
Zone 1		
Zone 2		
Zone 3		
Zone 4		
Zone 5		
Zone 6		
Zone 7		
Zone 8		

Table 5. Zones and Resistance

Engineer Program Mode **[PROG]** [9] [9] [9] [9]. To exit Engineer Program Mode **[RESET]**



PRODUCT DESCRIPTION

Activ8 QP

QUAD PIR MOTION DETECTOR
With PET IMMUNITY up to 25Kg

INSTALLATION INSTRUCTIONS

English
 P/N 7101508 REV. A A.Y.

The Activ8 QP detector uses a specially designed optical lens with a unique Quad element PIR sensor and new ASIC based electronics optimized to eliminate false alarms caused by pets or small animals.

The Activ8 QP provides unprecedented levels of immunity against visible light.

The detector offers an exceptional level of detection capability and stability for all security installations.

The Activ8 QP is supplied with Wide Angle lens.



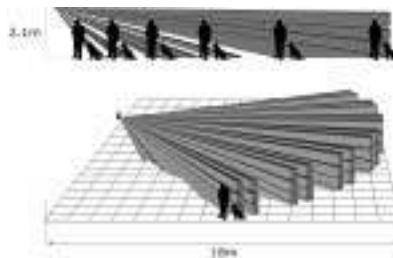
The Activ8 QP provides immunity up to 25Kg (55 lbs). For better immunity avoid installation in areas where pets can reach upwards.

Activ8 QP FEATURES

FEATURES

- Quad Linear Imaging Technology for sharp analysis of body dimensions and differentiation from background and animals.
- New ASIC based electronics.
- Immunity to animals up to 25kg (55 lbs).
- 15m (49.2 ft) Detection Range with Wide Angle Lens.
- Temperature compensation.
- Compact Design for Residential Installation.
- Variable pulse width adjustment.
- Sensitivity adjustment.
- Environmental immunity.
- Height installation calibration free (1.8m – 2.4m).
- LED Remote function.

DETECTION PATTERN



TYPICAL INSTALLATION

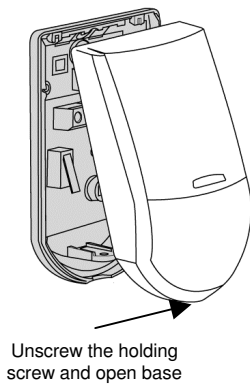
SELECT MOUNTING LOCATION

Choose a location most likely to intercept an intruder. See detection pattern. The Quad-element high quality sensor detects motion crossing the beam; it is less sensitive detecting motion towards the detector. The Activ8 QP performs best when provided with a constant and stable environment.

AVOID THE FOLLOWING LOCATIONS

- * Facing direct sunlight.
- * Facing areas subject to rapid temperature changes.
- * Areas with air ducts or substantial air flows.

REMOVAL OF FRONT COVER

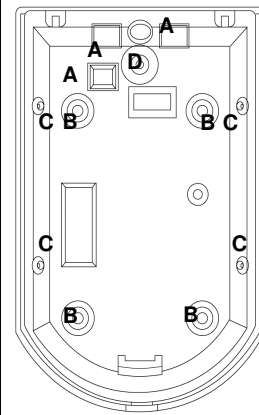


Unscrew the holding screw and open base

MOUNTING THE DETECTOR

1. To remove the front cover, unscrew the holding screw and gently raise the front cover.
2. To remove the PC board, carefully unscrew the holding screw located on the PC board.
3. Break out the desired holes for proper installing.
4. The circular and rectangular indentations at the bottom base are the knockout holes for wire entry. You may also use mounting holes that are not in use for running the wiring into the detector. (For option with bracket - lead wire through the bracket)
5. Mount the detector base to the wall, corner or ceiling. (For option with bracket install bracket).
6. Reinstall the PC board by fully tightening the holding screw. Connect wire to terminal block.
7. Replace the cover by inserting it back in the appropriate closing pins and screw in the holding screw.

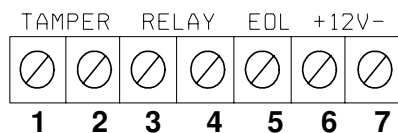
KNOCKOUT HOLES



- A. Wire access holes
- B. Use for flat wall mounting
- C. Corner mounting - use all 4 holes. Sharp left or right angle mounting - use 2 holes (top and bottom)
- D. For bracket mounting

DETECTOR INSTALLATION

TERMINAL BLOCK CONNECTIONS



Terminals 1 & 2 - Marked "TAMPER"

If a Tamper function is required connect these terminals to a 24-hour normally closed protective zone in the control unit. If the front cover of the detector is opened, an immediate alarm signal will be sent to the control unit.

Terminals 3 & 4 - Marked "RELAY"

These are the output relay contacts of the detector. Connect to a normally closed zone in the control panel.

Terminal 5 - Marked "EOL" - End of line option.

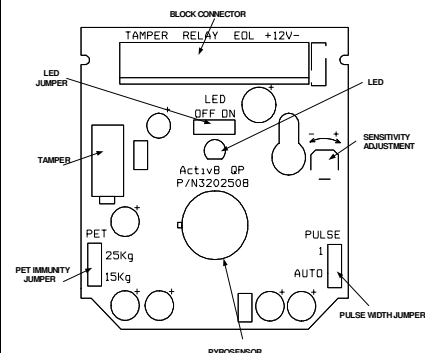
Terminal 6 - Marked "+" (+12V)

Connect to a positive Voltage output of 8.2 -16Vdc source (usually from the alarm control unit)

Terminal 7 - Marked "-" (GND)

Connect to the negative Voltage output or ground of the control panel.

PCB LAYOUT



SETTING-UP THE DETECTOR

PULSE WIDTH JUMPER SETTING

PULSE

1



This setting is for a stable environment without air drafts.
Without Pets.

AUTO



This setting is for operation in a harsh environment with air drafts.
With Pets.
The Activ8 QP will automatically select the appropriate pulse count level according to the strength of the incoming signals.

PULSE

1



AUTO



LED ENABLE JUMPER SETTING

LED



LED ON

LED



LED OFF

PET IMMUNITY JUMPER SETTING

PET



Immunity to an animal up to 15 kg



PET



Immunity to an animal up to 25 kg

PIR SENSITIVITY ADJUSTMENT

POTENTIOMETER— adjustment according to protected area range.
Use the potentiometer to adjust the detection range between 68% and 100% (factory set to 84%). Rotate the potentiometer clockwise to increase range, counter-clockwise to decrease range.

WIRE SIZE REQUIREMENTS

Use #22 AWG (0.5 mm) or wires with a larger diameter. Use the following table to determine required wire gauge (diameter) and length of wire between the detector and the control panel.

Wire Length	m	200	300	400	800
Wire Diameter	mm	.5	.75	1.0	1.5
Wire Length	ft.	800	1200	2000	3400
Wire Gauge	#	22	20	18	16

TESTING

TEST PROCEDURES

WAIT FOR ONE MINUTE OF WARM UP TIME AFTER APPLYING 12 VDC POWER. CONDUCT TESTING WITH THE PROTECTED AREA CLEARED OF ALL PEOPLE.

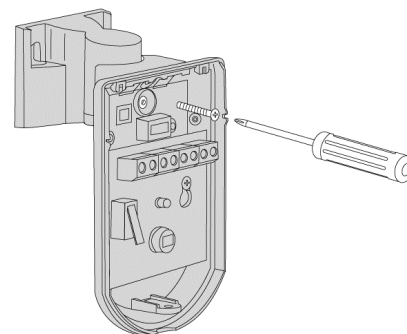
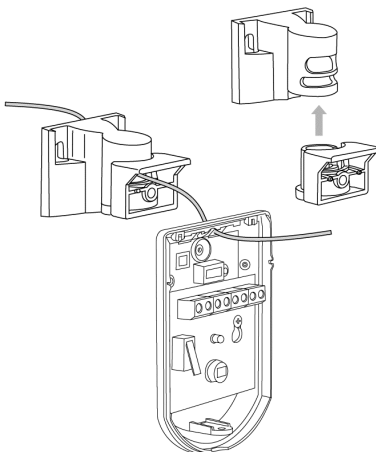
Walk test

1. Remove front cover.
The pulse jumper must be in position 1. The LED must be enabled.
2. Replace the front cover.
3. Start walking slowly across the detection zone.
4. Observe that the detector's LED lights whenever motion is detected.
5. Allow 5 sec. between each test for the detector to stabilize.
6. After the walk test is completed, the LED may be disabled.

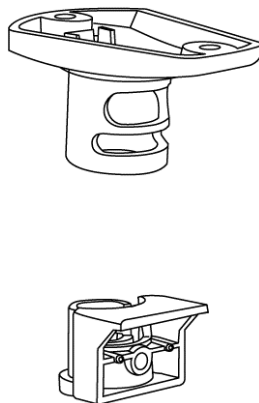
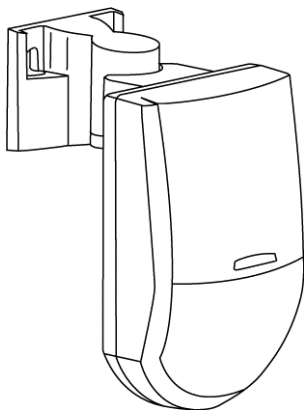
NOTE:

Walk tests should be conducted, at least once a year, to confirm proper operation and coverage of the detector.

BRACKET INSTALLATION OPTION



WALL AND CEILING INSTALLATION OPTIONS



REPLACING THE LENS

1. Remove the front cover.
2. Using a small flat screwdriver, press on left, and right snaps of the lens and pull the lens out from its place (front cover side).
3. Replace a new lens.
4. Push the lens to its place by pressing again from outside of the front cover until a click is heard.
5. Replace front cover.

TECHNICAL SPECIFICATION

MODEL	Activ8 QP
Detection Method	Quad element PIR
Power Input	7.8 to 16 VDC
Current Draw	Standby: 8mA (± 5%) Active: 10mA (± 5%)
Temperature Compensation	YES
Pulse Width	Adjustable
Alarm Period	2 sec (± 0.5sec)
Alarm Output	N.C 28VDC 0.1 A with 270ohm series protection resistor
Tamper Switch	N.C 28VDC 0.1A with 10 Ohm series protection resistor - open when cover is removed
Warm Up Period	60sec (± 5sec)
LED Indicator	LED is ON during alarm
Operating Temperature	-20°C to +60°C (-4°F to +140°F)
RFI Protection	30V/m 10 - 1000MHz
EMI Protection	50,000V of electrical interference from lightning or power through
Dimensions	90mm x 59mm x 37mm (3.54" x 2.32" x 1.46")
Weight	40gr (1.4oz)

For **Technical Support**, please call 01268 563 247.

Activ8 QP

DETECTOR DE MOVIMIENTO PIR CON INMUNIDAD A MASCOTAS

INSTRUCCIONES DE INSTALACION

Spanish
P/N 7101508 REV. A A.Y.

DESCRIPCION DEL DETECTOR

El detector Activ8 QP usa una lente especialmente diseñada con cuádruple elemento de detección y electrónica basada en tecnología ASIC para eliminar las falsas alarmas causadas por pequeños animales y mascotas.

El detector Activ8 QP proporciona muy altos niveles de inmunidad frente a falsas alarmas causadas por la luz visible.

El detector ofrece un óptimo nivel de detección y estabilidad para cada instalación de seguridad.

El detector Activ8 PIR se suministra con óptica de gran angular.



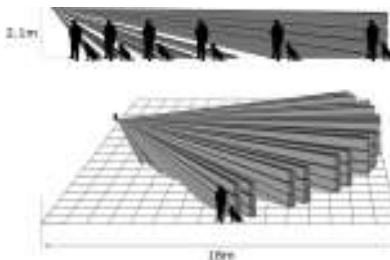
El detector Activ8 QP incluye inmunidad contra mascotas de hasta 25Kg. Para mayor seguridad, se debe evitar su instalación en las que puede haber presencia de mascotas.

CARACTERÍSTICAS DEL DETECTOR

CARACTERISTICAS

- Cuádruple elemento de detección para análisis de contornos y diferenciación con el fondo y animales.
- Inmunidad contra animales de hasta 25 Kg. Activa hasta 1m.
- Rango de detección de 18m con óptica lente gran angular.
- Compensación de temperatura.
- Diseño compacto para instalaciones residenciales.
- Ajuste de de ancho de pulso variable.
- Ajuste de sensibilidad
- Inmunidad ambiental
- Altura libre de instalación sin ajustes (1.8m – 2.4m).
- Función LED Remoto.

PATRON DE DETECCION



INSALACION TIPICA

INSTALACION DEL DETECTOR

Escoger una localización lo mas apropiada para interceptar una posible intrusión. (La recomendación es la instalación en esquina). Observe las bandas de detección. El elemento de detección detecta movimiento cruzando el haz; la detección es menos sensible cuando el movimiento se realiza hacia el detector.

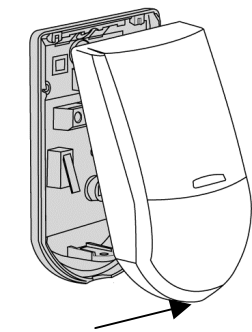
La detección es mejor cuando las condiciones ambientales son estables y constantes.

EVITAR LAS SIGUIENTES INSTALACIONES

- De cara directa al sol.
- De cara a zonas con cambios rápidos de temperatura.
- Zonas con corrientes de aire.

El detector Activ8QP funciona mejor en zonas de ambiente estable.

RETIRADA DE LA CUBIERTA

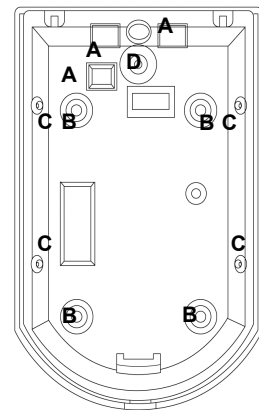


Desatornille el tornillo de fijación de la base

MONTAJE DE LA BASE DEL DETECTOR

1. Para abrir la tapa frontal, afloje el tornillo de cierre, inserte una herramienta fina en el espacio entre la tapa y la base y tire con suavidad, hasta que la tapa se libere.
2. Para retirar la placa, desatornille con cuidado los tornillos situados en la placa.
3. Perfore los orificios adecuados para introducir el cable.
4. Las muescas circular y rectangular situadas en la parte inferior de la base son para la entrada de cables.
5. Monte la base del detector en la pared esquina o techo. (Para opción con soporte, instale éste con la base).
6. Reinstale la tarjeta electrónica con los tornillos. Conecte los terminales.
7. Vuelva a colocar la tapa y apriete el tornillo de fijación.

ORIFICIOS DE FIJACION

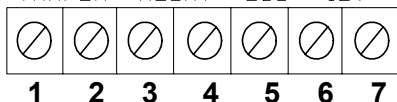


- A. Entrada de cables
- B. Para montaje plano en pared
- C. Montaje en esquina – use los 4 tornillos. Esquinado a derecha o izquierda - use 2 tornillos (superior e inferior)
- D. Montaje con soporte

INSTALACION DEL DETECTOR

TERMINALES DE CONEXION

TAMPER RELAY EOL +12V-



Terminales 1 y 2 - Marcado "TAMPER"

Si se requiere la función sabotaje, conectar estos terminales a una zona 24 horas normalmente cerrada de la central. En caso de apertura de la tapa del detector, se transmite una alarma de modo inmediato.

Terminales 3 y 4 - Marcado "RELAY"

Contactos del relé de salida del detector. Se deben conectar a una zona normalmente cerrada de la central.

Terminal 5 - Marcado "EOL" – Opción final de línea.

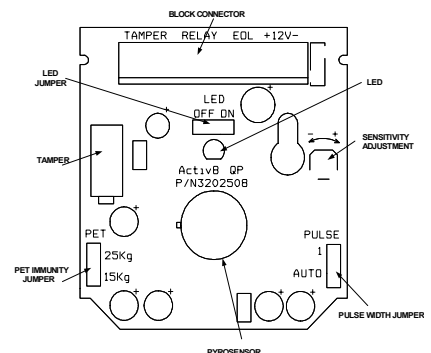
Terminal 6 – Marcado "+" (+12V)

Debe conectar a una fuente de alimentación 8.2 – 16Vdc (normalmente desde la central).

Terminal 7 - Marcado "-" (GND)

Se debe conectar a la salida de negativo de la central.

CIRCUITO ELECTRONICO



CONFIGURACION DEL DETECTOR

<p>CONFIGURACIÓN ANCHO DE PULSO</p> <p>PULSE</p> <p>1 Esta configuración es para ambientes estables si corrientes de aire. Sin inmunidad contra mascotas</p> <p>AUTO </p> <p>Esta configuración es para ambientes especiales, con corrientes de aire. Con inmunidad contra mascotas</p> <p>PULSE</p> <p>1 El detector Activ8 QP selecciona de modo automático el nivel de pulsos apropiado según las señales de entrada.</p> <p>AUTO </p>	<p>JUMPER HABILITACION DEL LED</p> <p>LED OFF ON LED ON</p> <p>LED OFF ON LED OFF</p> <p>CONFIGURACION INMUNIDAD MASC.</p> <p>PET 25Kg Inmunidad a mascotas de hasta 15Kg</p> <p>PET 25Kg Inmunidad a mascotas de hasta 25Kg</p> <p>PET 15Kg</p>	<p>AJUSTE SENSIBILIDAD PIR</p> <p>POTENCIOMETRO "PIR" – ajuste según el rango de la zona protegida.</p> <p>Use "PIR" para ajustar el rango de detección entre 68% y 100% (de fábrica en 84%). Gire el potenciómetro en el sentido de las agujas del reloj para aumentar el rango o al revés para disminuir.</p> <p>REQUERIMIENTOS DE CABLEADO</p> <p>Se debe usar #22 AWG (0.5 mm) o cables de diámetro mayor. Use la siguiente tabla para determinar el diámetro necesario y la distancia entre el detector y la central.</p> <table border="1"> <tr> <td>Longitud cable</td> <td>m</td> <td>200</td> <td>300</td> <td>400</td> <td>800</td> </tr> <tr> <td>Diámetro cable</td> <td>mm</td> <td>.5</td> <td>.75</td> <td>1.0</td> <td>1.5</td> </tr> <tr> <td>Diámetro cable</td> <td>AWG#</td> <td>22</td> <td>20</td> <td>18</td> <td>16</td> </tr> </table>	Longitud cable	m	200	300	400	800	Diámetro cable	mm	.5	.75	1.0	1.5	Diámetro cable	AWG#	22	20	18	16
Longitud cable	m	200	300	400	800															
Diámetro cable	mm	.5	.75	1.0	1.5															
Diámetro cable	AWG#	22	20	18	16															
<p align="center">PROCEDIMIENTO DE TEST</p>	<p align="center">INSTALACION DEL SOPORTE</p>																			
<p>Esperar un minuto para calentamiento de la fuente de alimentación de 12 vcc. Realice un test en áreas donde no haya gente.</p> <p>Test de paso</p> <ol style="list-style-type: none"> 1. Quitar la tapa Configurar LED en posición ON 2. Montar de nuevo la tapa . 3. Empezar a andar lentamente por la zona de detección. 4. Observe como el LED se activa al detectar movimiento. 5. Permita 5 segundos entre cada prueba para permitir la estabilización del detector. <p>Una vez se ha completado el test, se puede volver el LED a la posición OFF.</p> <p>NOTA:</p> <p>El test de paso debería realizarse al menos una vez al año, para confirmar el correcto funcionamiento de la cobertura del detector.</p>																				
<p align="center">OPCION INSTALACION EN TECHO/PARED</p>	<p align="center">SUSTITUCIÓN DE LENTES</p>																			
		<ol style="list-style-type: none"> 1. Quitar la tapa 2. Mediante un pequeño destornillador plano, presionar en las pestañas izquierda y derecha de la lente y tire de la lente hasta sacarla de su sitio. 3. Reemplazar la lente. 4. Inserte la lente en su lugar presionando hasta oír un "click". 5. Reemplace la cubierta. 																		
<p align="center">ESPECIFICACIONES TECNICAS</p>																				
<p>MODELO Activ8 QP</p> <p>Método de detección Cuádruple elemento PIR</p> <p>Rango de Alimentación 7.8 a 16 VDC</p> <p>Consumo Reposo: 8mA (± 5%) Activo: 10mA (± 5%)</p> <p>Compensación de Temperatura SI</p> <p>Ancho de pulso Ajustable</p> <p>Periodo de Alarma 2 segundos (± 0.5seg)</p> <p>Salida Alarma N.C 28Vdc 0.1 A con resistencia de protección de 10 Ohm</p> <p>Contacto Sabotaje N.C 28Vdc 0.1 A con resistencia de protección de 10 Ohm - abierto cuando la tapa está abierta</p> <p>Periodo calentamiento 60segundos (± 5seg)</p> <p>LED Indicador LED activado en alarma</p> <p>Temperatura de funcionamiento -20 °C to +60 °C</p> <p>Protección RFI 30V/m 10 - 1000MHz</p> <p>Protección EMI 50,000V de interferencia eléctrica de luz o alimentación</p> <p>Dimensiones 90mm x 59mm x 37mm</p> <p>Peso 40gr</p>	<p align="center">Para Soporte técnico, por favor, Contacte con el servicio técnico de Novar Iberia Tlf: 91.761.01.40</p>																			

Activ8 QP

IR PASSIVO QUAD
DOPPIO CANALE
CON IMMUNITA' ANIMALI

ISTRUZIONI DI INSTALLAZIONE

REV. A_IT

Italian

P/N 7101508 REV. A A.Y.

DESCRIZIONE PRODOTTO

Una nuova generazione di rilevatori di movimento a spettro selettivo, con rilevazione di infrarossi ad alta definizione.

Activ8 QUAD è un rilevatore IR per la protezione antintrusione tramite un sensore Piroelettrico a quadruplo elemento (Quad), che utilizza una lente speciale ad ampio angolo.

L'analisi del segnale IR avviene tramite un microprocessore con tecnologia ASIC, per la compensazione della temperatura, il conteggio degli impulsi dall'elemento PIR, e l'eliminazione di falsi allarmi, come quelli causati da animali di piccola taglia.

Activ8 QUAD garantisce un eccezionale livello di affidabilità e stabilità, grazie ad un'elevata immunità alla luce visibile, che lo rende una scelta ottimale per qualsiasi tipo di applicazione di sicurezza.

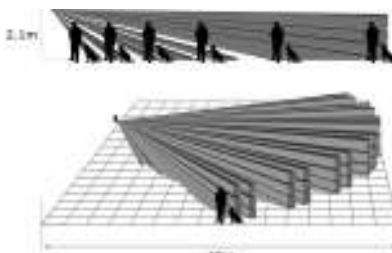


Rilevatore immune alla rilevazione di animali fino a 25Kg circa, per aree con presenza di animali domestici di piccola taglia (inibizione attiva solo al di sotto di 1 m di altezza).

CARATTERISTICHE

- Sensore Piroelettrico a 4 elementi (Quad) con lente rigida per un'eccezionale prestazione di rilevazione ed eliminazione dei falsi allarmi.
- Doppio canale di analisi per una rilevazione ancora più veloce e precisa.
- Portata 18x18m
- Design compatto per utilizzo anche in aree domestiche.
- Elettronica basata su processore ASIC di nuova generazione.
- Altezza di installazione senza calibrazione.
- Installazione facilitata con o senza staffe di supporto (opzionali).
- Regolazione della sensibilità PIR.
- Regolazione del conteggio impulsi.
- Compensazione temperatura bidirezionale.
- Immunità ambientale.
- Immunità animali fino a 25Kg h. < 1m.
- LED per funzione remota.

AREA PROTETTA



INSTALLAZIONE TIPICA

POSIZIONE DI INSTALLAZIONE

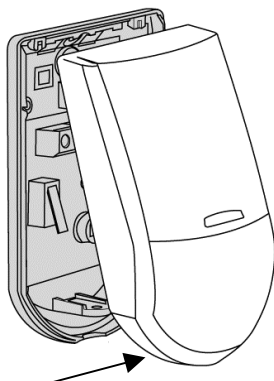
Scegliere la posizione migliore per intercettare un intruso (sono consigliate le installazioni ad angolo), pensando ai possibili percorsi di accesso. Il sensore con elemento quad d'alta qualità rivela il movimento di chi attraversa il fascio in maniera trasversale; la sua sensibilità è leggermente inferiore se il movimento è nella direzione del rivelatore stesso.

Altezza di montaggio consigliata tra 1,8 e 2,4m. Activ8 QUAD garantisce migliori prestazioni se installato in ambienti con condizioni stabili.

POSIZIONI DA EVITARE

Esposizione diretta alla luce solare.
Aree con rapide variazioni di temperatura
Aree con ventilazione forzata e flussi d'aria molto veloci.

RIMOZIONE DEL COPERCHIO

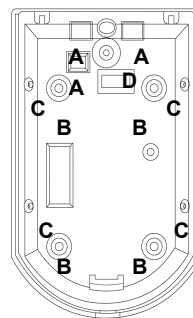


Svitare la vite di tenuta ed aprire la base

MONTAGGIO DELLA BASE

1. Per rimuovere il coperchio, svitare la vite e rimuovere gentilmente la parte frontale.
2. Per rimuovere la scheda elettronica, svitare delicatamente le viti di tenuta sulla scheda.
3. Con un cacciavite, rompere le preforature desiderate.
4. Per l'ingresso dei cavi utilizzare gli appositi fori rettangolari, o i fori di fissaggio inutilizzati (con la staffa di montaggio opzionale, passare i cavi nella staffa stessa).
5. Montare la base del rivelatore sul muro, ad angolo o sul soffitto (con e/o senza staffe di montaggio).
6. Riposizionare la scheda elettronica, fissando delicatamente tutte le viti.
7. Collegare i cavi ai morsetti (vedi sotto).
8. Riposizionare il coperchio inserendolo negli appositi incavi, e serrando la vite di chiusura.

PREFORATURA DELLA BASE

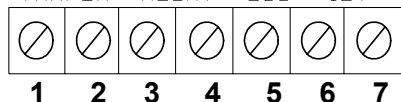


- A. Ingresso cavi
- B. Fori per montaggio su muro piano
- C. Fori per montaggio ad angolo. Usare solo 2 fori (destra o sinistra).
- D. Foro per staffa opzionale di montaggio

INSTALLAZIONE ELETTRICA

MORSETTI DI CONNESSIONE

TAMPER RELAY EOL +12V-



Morsetti 1 & 2 - "TAMPER"

Se è richiesta una protezione tamper 24-ore, collegare questi morsetti al circuito normalmente chiuso di centrale.

Con coperchio chiuso, il circuito tra i due morsetti è normalmente chiuso (N.C.).

Aperto il coperchio, il circuito tra i due morsetti si aprirà immediatamente.

Morsetti 3 & 4 - "RELAY"

Morsetti di allarme. Il circuito tra i due morsetti è normalmente chiuso (N.C.) in caso di funzionamento normale, e si aprirà immediatamente in caso di allarme.

Morsetti 5 - "EOL" per resistenze di fine linea opzionali (dipendenti dalla centrale antintrusione).

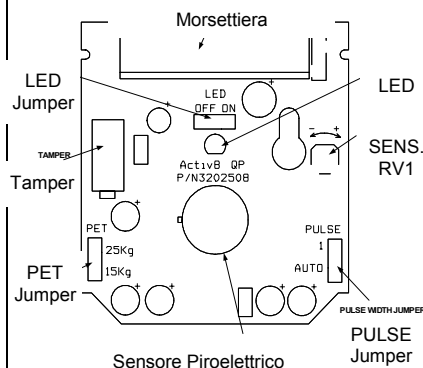
Morsetto 6 - "+ + " (+12V)

Alimentazione 12Vdc del rivelatore (8.2 -16Vdc), normalmente fornita dalla centrale antintrusione.

Morsetto 7 - "- " (GND)

Negativo di alimentazione del rivelatore, normalmente fornito dalla centrale antintrusione.

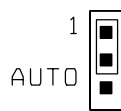
LAYOUT DEL CIRCUITO STAMPATO



REGOLAZIONI

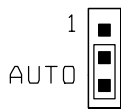
REGOLAZIONE CONTEGGIO IMPULSI

PULSE



Ambiente molto stabile e senza animali domestici. Jumper in posizione 1

PULSE



Ambiente instabile e/o animali domestici fino a 25Kg. Jumper in posizione AUTO. Il rilevatore è in grado di impostare automaticamente il corretto livello di impulsi.

REGOLAZIONE ABILITAZIONE LED

LED



LED abilitato
Jumper in posizione ON

LED disabilitato
Jumper in posizione OFF



La disabilitazione del LED non influisce sul funzionamento dei relè di allarme e tamper

REGOLAZIONE IMMUNITA' ANIMALI

PET



Immunità ad animali fino a 15Kg
Jumper in posizione 15Kg

PET



Immunità ad animali fino a 25Kg
Jumper in posizione 25Kg

REGOLAZIONE PIR SU RV1

Regolazione in conformità della reale area da sorvegliare. Il potenziometro regola il livello di sensibilità dal 68% al 100% (di fabbrica 84%). Ruotare in senso orario per aumentare la sensibilità ed antiorario per diminuirla.

Dopo la regolazione, eseguire un test per la verifica dei corretti parametri di impostazione.

CAVI CONSIGLIATI

Per i collegamenti utilizzare un cavo CEI20-22 con diametro 0.5 mm o superiore. Utilizzare la seguente tabella per determinare il tipo di cavo in relazione alla distanza tra il rilevatore e la centrale antintrusione.

Lunghezza	m	50	200	500	800
Sezione	mm	0.22	0.5	1.0	1.5

PROCEDURE DI TEST

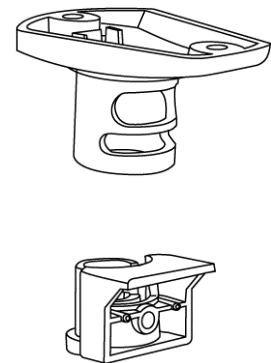
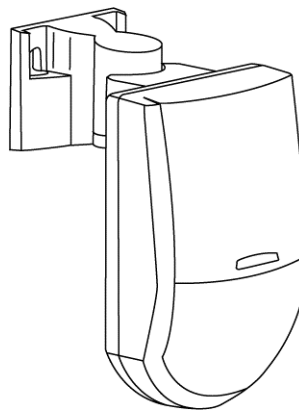
Dopo aver alimentato il rilevatore, attendere durante il tempo di riscaldamento (1 minuto). Eseguire i test in assenza di persone nell'area.

WALK TEST

1. Rimuovere il coperchio. Il PULSE Jumper deve essere in posizione 1, il LED Jumper deve essere abilitato.
2. Riposizionare il coperchio.
3. Camminare lentamente attraverso l'area sorvegliata dal rilevatore.
4. Osservare che il LED si accenda durante il movimento.
5. Attendere 5 sec. Tra i diversi test per lasciare che il rilevatore si stabilizzi.
6. Dopo il test, riposizionare i DIP nella posizione originaria.

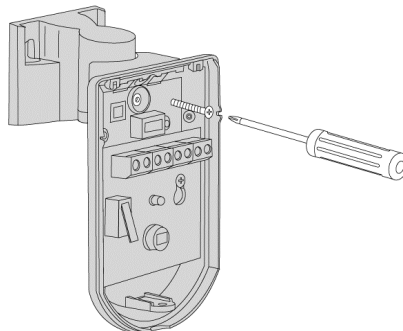
Note: il Walk Test andrebbe eseguito almeno una volta all'anno per verificare la reale funzionalità ed efficacia del rilevatore.

MONTAGGIO MECCANICO

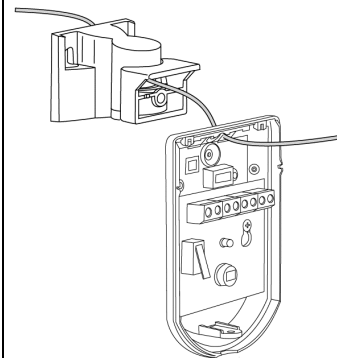


SOSTITUZIONELENTE

1. Rimuovere il coperchio, svitando la vite e rimuovendo gentilmente la parte frontale.
2. Utilizzando un piccolo cacciavite a punta piatta, premere alternativamente sulle linguette laterali della lente, rimuovendola dalla sua sede (sul coperchio frontale).
3. Inserire la nuova lente richiesta.
4. Posizionare la lente nella sede, premendola dalla parte esterna del coperchio, fino a sentire il click che ne confermi l'esatto e completo inserimento.
5. Riposizionare il coperchio inserendolo negli appositi incavi, e serrando la vite di chiusura.



STAFFE OPZIONALI A MURO E A SOFFITTO



CARATTERISTICHE TECNICHE

<i>Tipo di rilevazione</i>	<i>Quad PIR a 4 elementi</i>
<i>Analisi</i>	<i>Doppio canale</i>
<i>Portata</i>	<i>fino a 18m (con lente normale)</i>
<i>Alimentazione</i>	<i>7.8 a 16 Vdc</i>
<i>Assorbimento</i>	<i>In allarme 10 mA</i> <i>In stand-by 8 mA</i>
<i>Compensato in temp.</i>	<i>SI</i>
<i>Tempo di allarme</i>	<i>2 +/- 1 sec</i>
<i>Uscite allarme</i>	<i>2 x N.C 28Vdc 0.1A con protezione resistiva da 10 Ohm</i> <i>NB. Tamper aperta con copertura aperta</i>
<i>Tempo di riscaldamento</i>	<i>1 min</i>
<i>LED Indicatore</i>	<i>LED Rosso acceso in allarme</i>
<i>Temperatura di lavoro</i>	<i>da -20°C a +60°C</i>
<i>Dimensioni (HxLxP)</i>	<i>90 x 59 x 37mm</i>
<i>Peso</i>	<i>40 gr.</i>

Per Assistenza Tecnica, contattare

NOVAR Italia Srl
v. Picasso 30/32 – 20025 Legnano (MI)
Tel +39 0331742301 Fax +39 0331742390
www.novar-italia.it

INSTALLATION INSTRUCTIONS



AG6
EXTERNAL SOUNDER & STROBE

CE

WARNINGS

STROBE CIRCUITS CARRY HIGH VOLTAGES (350 volts.) **ALWAYS** make sure the unit has been disconnected from all external power for **at least 5 minutes** before removing **ANY** safety cover.

WEAR hearing protection when close to a sounder.

ALWAYS observe safety precautions with regard to ladder use.

Plastic bags can suffocate - always dispose of carefully.

NEVER put screwdrivers or other sharp objects in pockets - **ALWAYS** use a tool belt.

STANDARDS

This unit has been tested to the required standards for emission, immunity as set out by the EEC (ECD 89/336/EEC). This unit complies with EN50131-1 which relates to security control equipment.

STANDARD PARTS LIST

1 x AG6 sounder.

1 x Accessory bag containing: - 4 x No 8 Wallplugs, 4 x 2" No 8 screws, Lid screw, screw cap.

This instruction manual Part No F-051-599-00.

INSTALLATION OVERVIEW

Here is a brief description of a typical setup and installation procedure for the AG6.

1. Mount the unit to the desired surface.
2. Connect the AG6 to the control panel.
3. Connect BATT link.
4. Replace covers and tighten the tamper screw.
5. Power up the control panel.

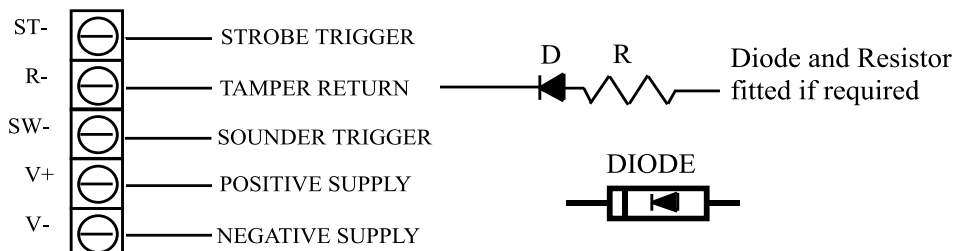
CONNECTIONS

AG 6	R- Negative Tamper Return	V- Negative Supply	ST- Negative Strobe Trigger	V+ Positive Supply	-SW Negative Sounder Trigger
SECURIT 800 Series	R-	V-	ST-	V+	S-
SECURIT 703	R-	0V (NOTE 1)	ST-	BELL+	NO
SECURIT 700L	R-	BELL-	ST-	BELL+	S-
BRAVO 700	R-	BELL-	ST-	BELL+	S-
ACTIVE 5X	21 (NOTE 2)	20 (NOTE 3)	ST-	BELL+	S-
ACTIVE 4	13 (NOTE 2)	12 (NOTE 3)	ST-	BELL+	S-
724 / 764	TAMP RET	V-	INT BELL-	AUX+	EXT BELL-
ARITECH CS350	17	16	7	4	5
VERIFIER 6	TAMP RET	-VE HOLD	- INT BELL	+ EXT BELL	- EXT BELL
ADE	TRO	SCB-	STR	BELL+	BELL-
MENVIER	BELL TAMP	0V	STB	BELL 12V	BELL TRIG
OPTIMA XL4	A	T	STROBE-	D	B
TEXECOM	C	D	S	A	B
SCANTRONIC	TR	0V	STR NO-	12V+	BELL NO-
PARAGON PLUS	BT	B-	STB-	B+	BA
CHALLENGER 5	C	A	ST-	D	B

NOTES FOR TERMINAL CONNECTIONS.

- 1) Link the terminal marked COM to 0V terminal at the panel.
- 2) This should be wired in series with all other tampers and then connected to the pin shown.
- 3) This connection should be the start of the tamper loop and is also used as HOLD OFF negative.

When connecting the bell box to a control panel designed for use in Eire (Ireland) for example the Verifier 6 or Aritech, a diode should be installed as shown below. For panels without a strobe output, Link the ST- to the SW- .



TECHNICAL INFORMATION

HOLD OFF SUPPLY	13.65Vdc nominal 12.0 to 14.5Vdc.
LOAD CURRENT	35mA nom. Quiescent. 260mA nom. Combined sounder and strobe. 125 mA nom. Strobe only.
SOUND OUTPUT LEVEL	110dB @ 1m nom (Supply & Mounting Dependant)
BATTERY	6.0v, 280mAh Nicad. Automatic charging from hold off supply. Design life = 5 years at 20°C nom. Minimum of 3 15 minute alarms from fully charged battery without recharge.
TEMPERATURE RANGE	-20°C to +40°C. Operating & Storage
TRIGGER CONDITIONS	Automatic reset occurs when trigger clears
HOLD OFF	Loss of hold off supply
S-	Negative Trigger (-V applied) Trigger occurs when terminal voltage is less than 3.5v. Maximum load 1.0mA
TAMPER DETECTION TAMPER OUT	Wall & Cover retaining screw Normally closed negative tamper return
CUT OFF TIMER	15 minutes nom. (Sounder Only).
STROBE TRIGGER STROBE	-V applied 0.6 Joules per flash. 1 flash per second nom. @ 13.65Vdc.
DIMENSIONS	H 55mm W 200mm D 300mm
WEIGHT	Gross 840 grams

MOVING THE TAMPER SWITCH

If you are fitting the unit horizontally, you can rotate the AG6 so that the strobe is either to the left or right. However, this would mean in certain cases the tamper screw would be awkward or in the wrong position to tighten. To remove this potential problem, the tamper switch can simply be unclipped from its mounting pins and moved to the opposite side of the base. Make sure the tamper switch is secure before mounting the base.

NOTE:

For correct operation make sure the **BATTERY LINK** is fitted.

The **TAMPER** switch must be closed for the AG6 to get any power from the control panel. This will also power the LED.

NACOSS Regulations.

This unit will conform to NACOSS regulations when installed correctly: In the event that the bell box tamper is opened, this unit will send a tamper signal to the control panel and trigger a local sounder when the system is unarmed .

This product is manufactured to ISO 9001 quality assurance and complies with all relevant standards as set out for EMC. This product is **Year 2000 compliant**.



Certificate No CC106

Please Note:

C&K SYSTEMS are always endeavouring to improve quality and specification of all it's products and may alter or amend this product and instructions without notice. All information is given in good faith but without warranty.

C & K Systems

REDDITCH.

WORCESTERSHIRE

ENGLAND

Tel: +44 (0)1527 68111

Fax: +44 (0)1527 68222

Technical Helpline: 0345 660533 UK Only.

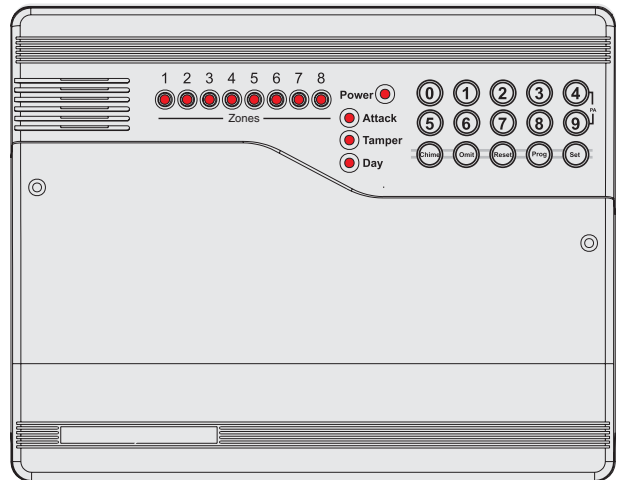
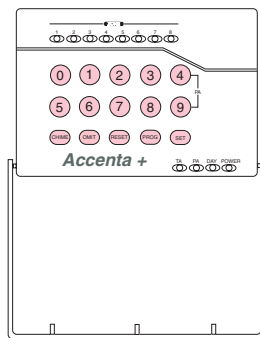
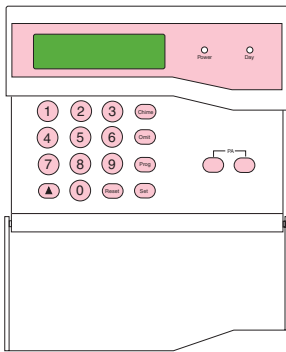
Website: <http://users.powernet.co.uk/cksys>

E-mail: info@cksys.co.uk



Accenta/Optima

User Guide



Servicing Organisation (Installer) name: _____

Telephone Number: _____

Date of Installation: _____

Account Number: _____

Contents

- Introduction..... 1**
- Codes 1**
- Alarm System Operation 1**
- Personal Attack 1**
- Fire Zones 1**
- Power Indicator 1**
- Signalling Device 1**
- How to Set the System 2**
- How to Unset the System 3**
- How to Part Set the System 4**
- How to Silence an Alarm and Reset the System 5**
- How to Omit Zones 6**
- How to Quick Set the System 7**
- Single Key Setting 7**
- How to Set Up Chime Mode 8**
- Changing Codes Using User 1 9**
- Changing Codes Using User 2 10**
- How to Delete User Code 2 11**
 - To delete user code 2 using user code 1 11
 - To delete user code 2 using user code 2 12
- Duress Code 13**
- How to View the Event Log 14**
- How to Test Your Alarm system 15**
 - How to Test the Bell, Strobe and Internal Sounder 15
- How to do a Walk Test 17**
- How to Set up the Time and Date 18**

Introduction

This User Guide tells you how to operate your intruder alarm system. To simplify this User Guide we have assumed that the alarm system has been installed by a professional intruder alarm system installer (the installer), and that the system is operated in a “typical” way. Aspects of your system that are not “typical” will be described by your installer.

NOTE: If you have any questions about your intruder alarm system, then consult your installer, see contact details at the front of this User Guide.

Codes

To operate the alarm system you will need to use a code. A code is 4 digits long, and can be any number from 0000 to 9999. By default user code 1 is [0][1][2][3] but you should change this as soon as possible.

Alarm System Operation

This booklet describes three versions of the alarm system. The **Optima** version has the keypad and indicators on the main control panel. The **Accenta** version has the keypad and indicators on a small remote LCD or LED keypad. You operate the alarm system by pressing buttons on the keypad and viewing the indicators. Both alarm systems work the same way. Both **Accenta** and **Optima** systems can be fitted with an optional remote keypad.

Personal Attack

If the installer has programmed personal attack on the keypads and if you are under threat, or are being attacked, you can activate the alarm by pressing the **4** and **9** keys at the same time on any LED keypad. You can also press the two keys marked **PA** on the remote LCD keypad. The alarm system will produce a loud alarm sound, and the external siren will be turned on.

Fire Zones

Zones 7 and 8 on your alarm system may have a Fire or Smoke detector connected to it. In the event of a fire the alarm system will produce a distinctive two-tone fire alarm sound, and the outside siren will pulse 2 seconds on, 2 seconds off. You should leave the premises immediately, and only re-enter when it is safe to do so. The alarm can be silenced by entering your code.

Power Indicator

The **Power** indicator on the control panel or keypad will light whenever the mains power supply is present. If mains power fails then the **Power** indicator will go out, but the system will run from its backup battery for several hours. If the **Power** indicator goes out when mains power is present then a fault may have developed on your system and you should contact your installer.

Signalling Device

Your alarm system may have been fitted with a signalling device. This device uses the telephone line to send an alarm message to an Alarm Receiving Centre in the event of an alarm. The operator at the ARC may request the police to attend your premises.

How to Set the System

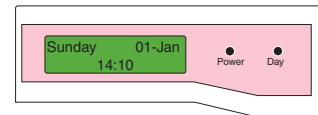
When you leave your premises you will need to set (or turn on) the intruder alarm system.

Before setting the system you should ensure that the premises have been completely vacated and that all doors and windows are closed. Ensure that pets do not have access to the protected areas as they can cause a false alarm.

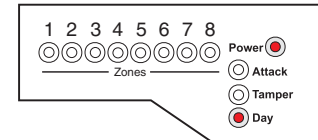
NOTE: The Accenta Remote LED keypad is not shown. It will have the same indications as the Optima compact panel with built-in keypad.

NOTE: There will be no exit beeps if **Silent Timed** exit mode was programmed.

LCD Keypad: the **Day** LED should be on. The screen shows the day mode:



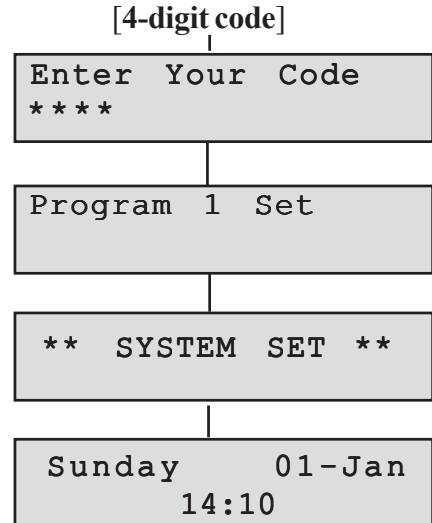
LED Keypad: the **Day** LED should be on.



NOTE: You should wait until you hear that the exit beep has stopped before assuming that the system has set.

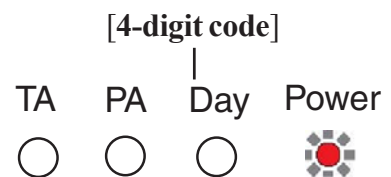
LCD Keypad:

- Enter your 4-digit code (**0123** default) and check that the system is clear.
- The exit tone begins to sound and the display shows program 1 in process of setting.
- Leave the premises by the agreed exit route.
- The exit tone becomes rapid during the last 10 seconds and then stops when the system sets. The **Day** LED goes off and **SYSTEM SET** appears on the screen
- After 30 seconds the set mode display appears.



LED Keypad:

- The system is unset. The **Power** and **Day** LED's are on.
- Enter your 4-digit code (**0123** default) and check that the system is clear (no zone LED's on).
- The exit tone begins to sound to indicate that the system is in the process of setting.
- Leave the premises by the agreed exit route.
- The exit tone becomes rapid during the last 10 seconds and then stops when the system sets. The **Day** LED goes off.

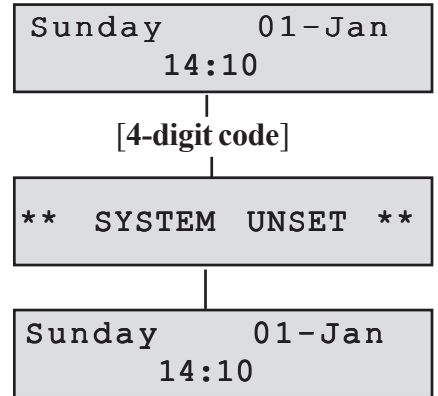


How to Unset the System

When you enter your premises you will need to unset (turn off) the system.

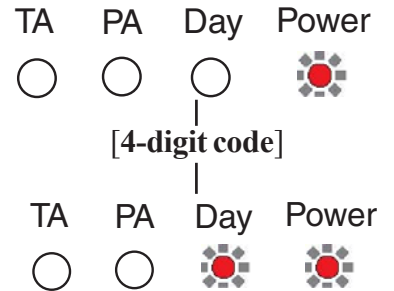
LCD Keypad:

- Enter the premises by the agreed entry route. The system produces an entry tone. The **Power** LED is on and the **Day** LED is off indicating that the system is set.
- Enter your 4-digit code (**0123** default).
- The system unsets with a double beep. The **Day** LED comes on indicating that the system is unset.
- After 30 seconds the **Day** mode display appears.



LED Keypad:

- Enter the premises by the agreed entry route. The system produces an entry tone. The **Power** LED is on and the **Day** LED is off indicating that the system is set.
- Enter your 4-digit code (**0123** default).
- The system unsets with a double beep. The **Day** LED comes on indicating that the system is unset.



If any Zone, TA (Tamper) or PA (Attack) LED's come on then an alarm has occurred, and an intrusion may have taken place. Seek assistance before investigating further as intruders may still be on the premises. Then reset the system.

When you enter your premises you will have a short period of time, usually 30 seconds, to enter your code. If you fail to do this the system will go into alarm. Enter your code to stop the alarm.

How to Part Set the System

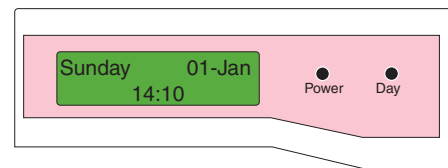
If your installer has programmed your system for **part set** operation you will be able to set some zones of the system while others remain unset. Part set operation is often used at night time, and it will permit you to freely walk around the bedrooms while the living area and outside doors are protected. Your system may have 2 part-set programs called Program 2 and Program 3.

Before part-setting the system you should ensure that all doors and windows are closed. Ensure that pets do not have access to the protected areas. Your installer may have instructed you to use a different keypad to the one normally used to set the system.

LCD Keypad:

- The **Day** LED should be on. The screen shows the **Day** mode:
- Enter your code [0][1][2][3]. The exit beep starts.
- Press the [PROG] key. The exit tone stops.
- Select part-set program [2] or [3]. The system will set after a short time. The **Day** LED goes out.

NOTE: There will be no exit beeps if **Silent Timed** exit mode was programmed.



[4-digit code]

Program 1 Set

[PROG]

Set System
Select 1 2 or 3

[2 or 3]

** SYSTEM SET **

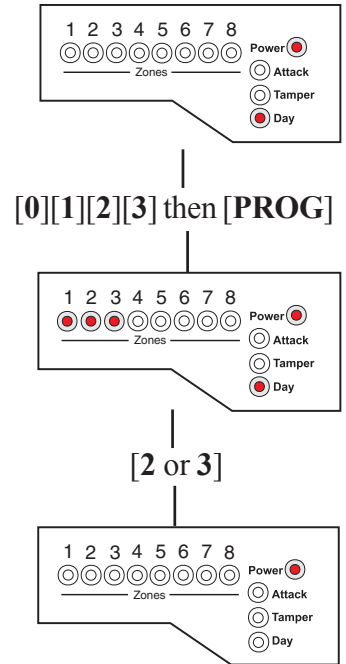
Sunday 01-Jan
14:10

LED Keypad:

The **Day** LED should be on.

- Enter your code [0][1][2][3]. The exit beep starts.
- Press the [PROG] key. The exit tone stops and the zone LED's 1 to 3 come on.
- Select part-set program [2] or [3]. The system will set after a short time. The **Day** LED goes out.

NOTE: There will be no exit beeps if **Silent Timed** exit mode was programmed.



How to Silence an Alarm and Reset the System

If your system goes into alarm then be aware that intruders may be in the premises. Seek assistance before investigating the cause of the alarm.

LCD Keypad:

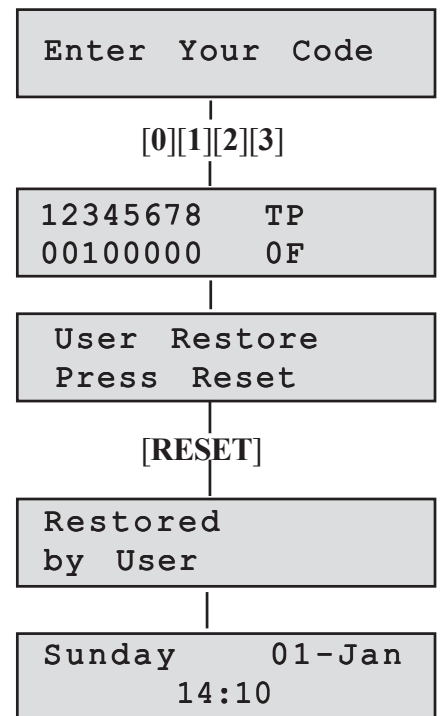
- Enter your code [0][1][2][3]. The alarm will stop.
- The screen alternates showing what caused the alarm and prompting for user reset

When two or more alarms have occurred, the first alarm will have an **F** below the zone number, **Tamper** or **PA**. Subsequent alarms will have a **1** indicating where the alarm has taken place.

- Press [RESET]. The system resets and goes into day mode if there are no open Tamper, PA or Fire zones to cause a fault lockout.

The system can be reset by the user only if the installer has programmed it to do so. If the message **Engineer Restore Required** appears on screen then the user will have to contact the installer.

- After 30 seconds the set mode display appears.



LED Keypad:

- Enter your code [0][1][2][3].

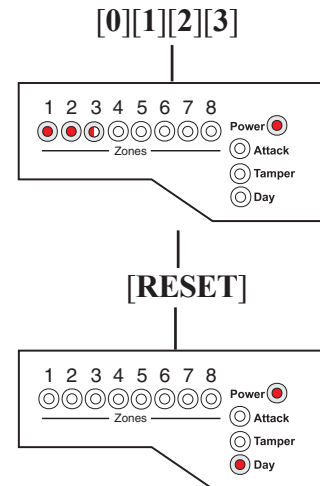
The alarm will stop, and the **Zone**, **Tamper (TA)** or **Attack (PA)** LED's will come on to show the cause of the alarm.

NOTE: When 2 or more LED's are on, the flashing indicator shows the first alarm, and the steady indicators show the second and subsequent alarms.

- Press [RESET].
- If the **Zone**, **Tamper (TA)** or **Attack (PA)** LED's go out and the **Day** LED comes on then the system has been reset.

If any of the LED's continue to flash then the system has been programmed to be reset by the installer. In this case you must call the installer to reset the system.

If all LED's light steady (not flashing), and the keypad stops working, then the system has entered a fault-lockout. You must call the installer to rectify this fault.



How to Omit Zones

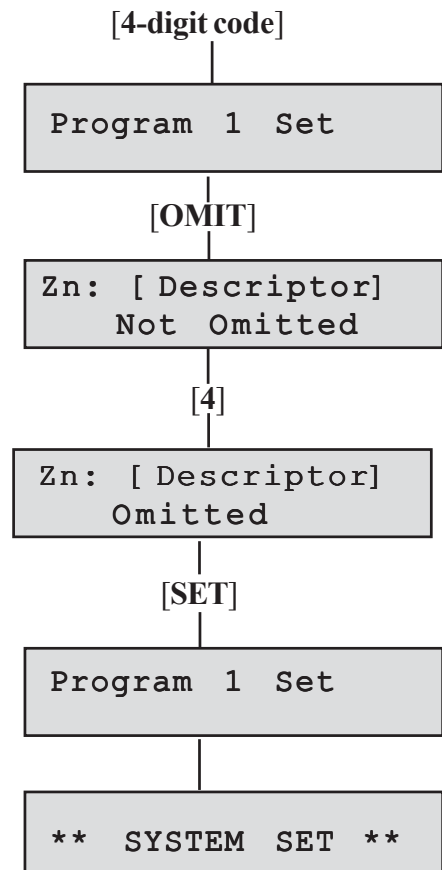
If you cannot set the alarm system because a detector is faulty and in constant alarm you may need to omit its zone from the alarm system. A zone which has been omitted cannot cause an alarm. Omitted zones will be restored after the system is unset.

Before a zone can be omitted it has to be enabled by the installer as a **Used Zone** and as an **Omit Allow** zone.

LCD Keypad:

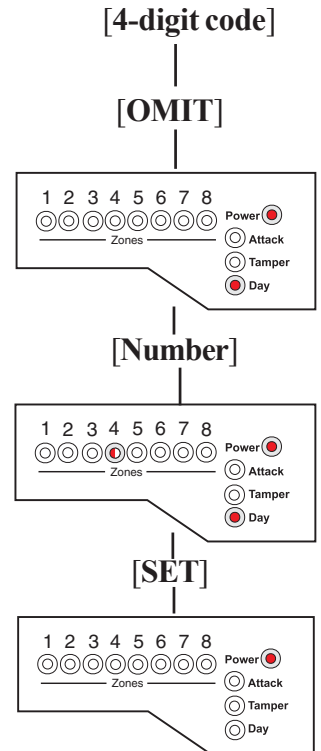
- Enter your [4-digit code] to start the exit procedure (for more information see **How to Set the System**).
- Press [OMIT] and the exit beep tone will stop, and the first used zone that can be omitted will appear on the display.
- Press the zone [number] or [up arrow] to be omitted. The display will now show the zone as omitted. If a flat reject tone is heard, then the zone cannot be omitted.
- Press [SET] or allow the system to continue to set.

NOTE: Zn = Zone number



LED Keypad:

- Enter your [4-digit code] to start the exit procedure (for more information see **How to Set the System**).
- Press [OMIT] and the exit beep tone will stop, and all LED's for used zones that can be omitted will come on.
- Press the zone [number] to be omitted. The LED will now flash to show the zone as omitted. If a flat reject tone is heard, then the zone cannot be omitted.
- Press [SET] or allow the system to set.



How to Quick Set the System

When you set the system you will usually have about 30 seconds to exit the premises. This also means that you need to wait 30 seconds for the system to set. You can reduce this time to just five seconds by carrying out a **Quick Set**.

- Enter your [4-digit code] to start the exit procedure. The exit beep tone will start. (For more information see **How to Set the System**).
- Press [SET] to Quick Set the system and the exit beep tone will change to a more rapid tone. The system will set in five seconds, and the exit tone will stop.

Single Key Setting

If enabled by the engineer, the setting process can be started by pressing Set, rather than entering a user code.

How to Set Up Chime Mode

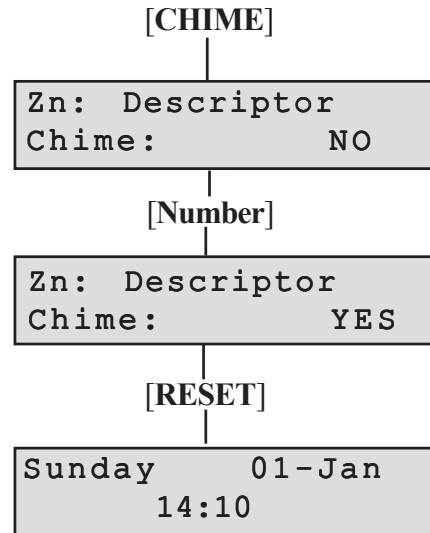
Chime is a low security facility for use when the system is unset. It is particularly useful in a shop to warn of customers presence, or in a house to warn when a back door has been opened. When a Chime zone detects movement the system will produce a brief two-tone sound, and the Zone LED will come on.

To set any zone to Chime.

LCD Keypad:

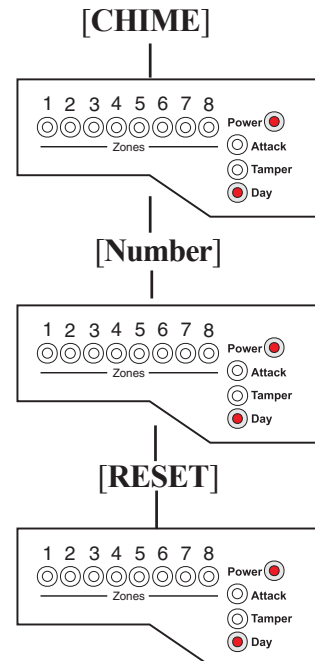
- The system should be in **Day** mode (System Unset).
- Press **[CHIME]**. The screen will show the first zone that is already set up for Chime (possibly none).
- Press the zone **[number]** to toggle it in and out of chime.
- When you have finished using the Chime mode press **[RESET]** or wait a few seconds for the display screen to show **Day** mode.

NOTE: **Zn** = Zone number



LED Keypad:

- The system should be in **Day** mode (System Unset).
- Press **[CHIME]**. The zone LED's will come on to show those zones that are already set up for Chime (possibly none).
- Press the zone **[number]** to toggle it in and out of chime.
- When you have finished using the Chime mode press **[RESET]** or wait a few seconds. The zone LED goes off.



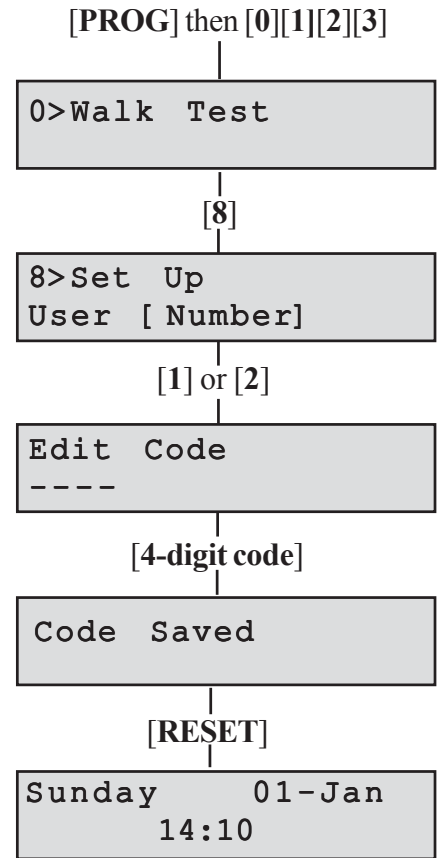
Changing Codes Using User 1

You should change your code regularly to prevent potential intruders from knowing your code. All codes are 4-digits. The factory set code is [0][1][2][3]. User code 1 can only be changed by user 1.

To change user code:

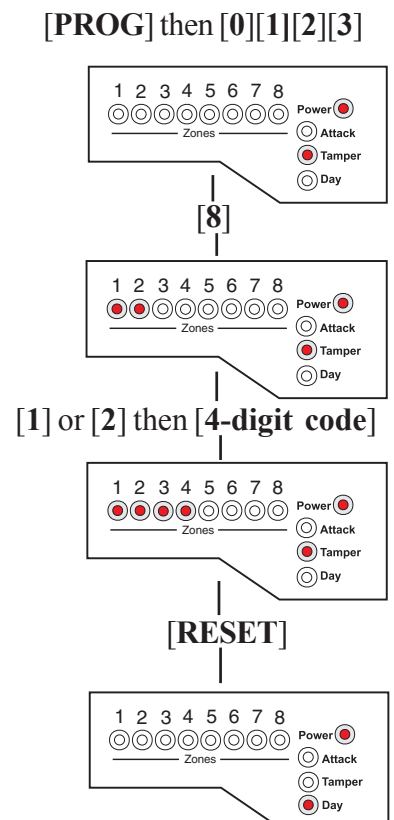
LCD Keypad:

- Press [PROG] and then enter your code [0][1][2][3]. The Day LED goes off to indicate that you are in Programming mode. The first menu **Walk Test** appears on the screen.
- Press the [8] button on the keypad to enter User Set-Up.
- Press the [1] or [2] button on the keypad to edit the required user.
- Enter the new [4-digit code]. If the code is accepted the system will produce a double beep. If it is rejected the code may already be in use and the system will produce a flat tone. You must choose a different 4-digit code.
- Upon the last keypress the code is saved.
- Press [RESET] twice to exit Programming mode. The Day LED will come on with the screen in Day mode.



LED Keypad:

- Press [PROG] and then enter your code [0][1][2][3]. The **Tamper (TA)** LED comes on and the **Day** LED goes off to indicate that you are in Programming mode.
- Press the [8] button on the keypad. LED's 1 and 2 are on to indicate that you have two options, user 1 and user 2.
- Press the [1] or [2] button on the keypad to edit the required user. LED's 1-4 are on.
- Enter the new [4-digit code]. If the code is accepted the system will produce a double beep. If it is rejected the code may already be in use and the system will produce a flat tone. You must choose a different 4-digit code.
- Upon the last keypress the code is saved. LED's 1-4 are off.
- Press [RESET] twice to exit Programming mode. The **Day** LED comes on and the **Tamper (TA)** goes off.



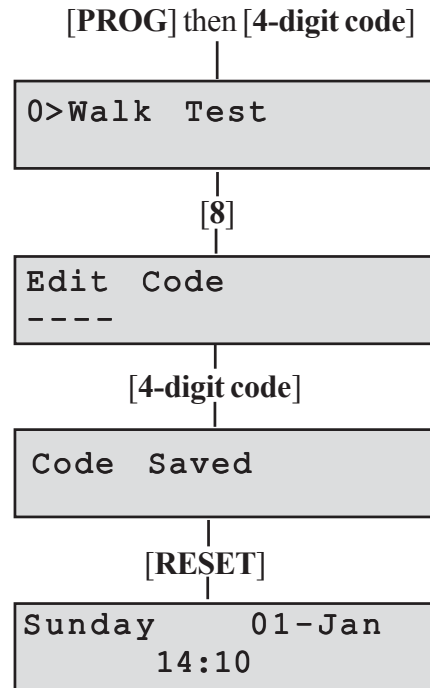
Changing Codes Using User 2

Your alarm system can have a second user code. You may find it useful to set up user code 2 for use by a neighbour for use when you are on holiday. User code 2 operates like user code 1, but it cannot be used to change or delete user code 1.

To change user code 2:

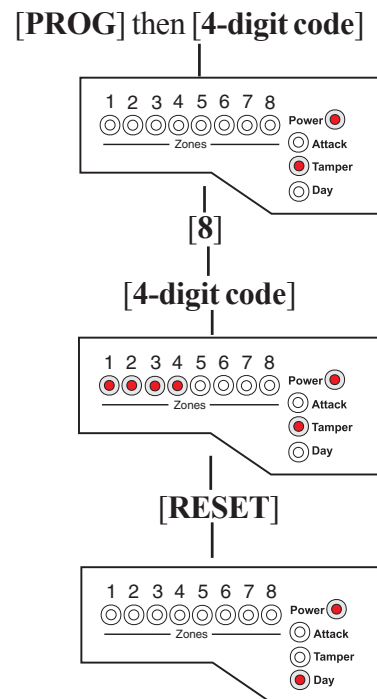
LCD Keypad:

- Press **[PROG]** and then enter user 2 **[four-digit code]**. The Day LED goes off to indicate that you are in Programming mode. The first menu **Walk Test** appears on the screen.
- Press **[8]** to edit user 2.
- Enter the new **[4-digit code]**. If the code is accepted the system will produce a double beep. If it is rejected the code may already be in use and the system will produce a flat tone. You must choose a different 4-digit code.
- Upon the last keypress the code is saved.
- Press **[RESET]** twice to exit Programming mode. The **Day** LED will come on with the screen in **Day** mode.



LED Keypad:

- Press **[PROG]** and then enter user 2 **[four-digit code]**. The **Tamper (TA)** LED comes on and the **Day** LED goes off to indicate that you are in Programming mode.
- Press the **[8]** to edit user 2. LED's 1-4 are on.
- Enter the new **[4-digit code]**. If the code is accepted the system will produce a double beep. If it is rejected the code may already be in use and the system will produce a flat tone. You must choose a different 4-digit code.
- Upon the last keypress the code is saved. LED's 1-4 are off.
- Press **[RESET]** twice to exit Programming mode. The **Day** LED comes on and the **Tamper (TA)** goes off.



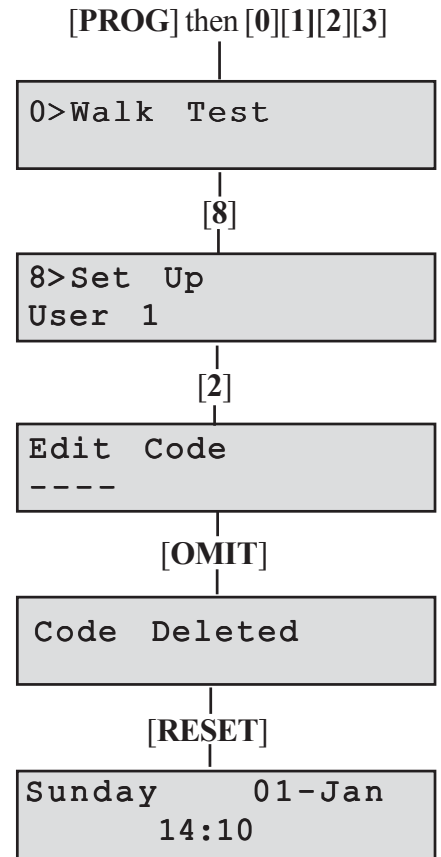
How to Delete User Code 2

You can delete the second code to prevent it being used. User 1 or user 2 can delete user code 2.

To delete user code 2 using user code 1

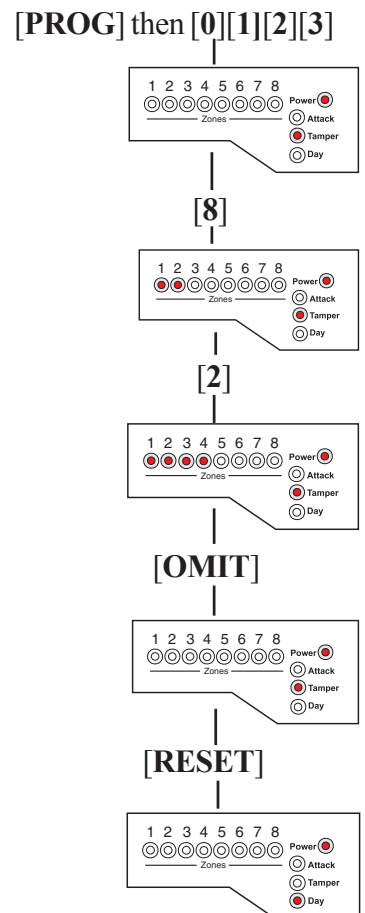
LCD Keypad:

- Press [PROG] and then enter your code [0][1][2][3]. The Day LED goes off to indicate that you are in Programming mode. The first menu **Walk Test** appears on the screen.
- Press the [8] button on the keypad to enter User Set-Up.
- Press [2] to edit user code 2.
- Press [OMIT] to delete user code 2.
- The message **Code Deleted** is displayed on the screen.
- Press [RESET] twice to exit Programming mode. The Day LED will come on with the screen in **Day** mode.



LED Keypad:

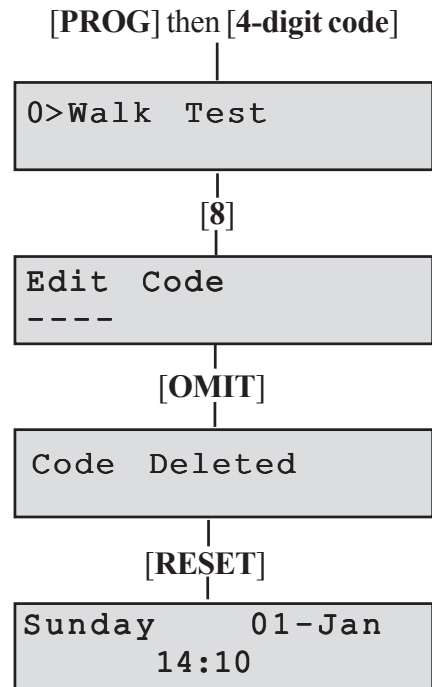
- Press [PROG] and then enter your code [0][1][2][3]. The Day LED goes off to indicate that you are in Programming mode.
- Press the [8] button on the keypad to enter User Set-Up. LED's 1 and 2 are on.
- Press [2] to edit user code 2. LED's 1-4 are on.
- Press [OMIT] to delete user code 2.
- User code 2 is deleted. LED's 1-4 are off.
- Press [RESET] twice to exit Programming mode. The Day LED comes on and the Tamper (TA) goes off.



To delete user code 2 using user code 2

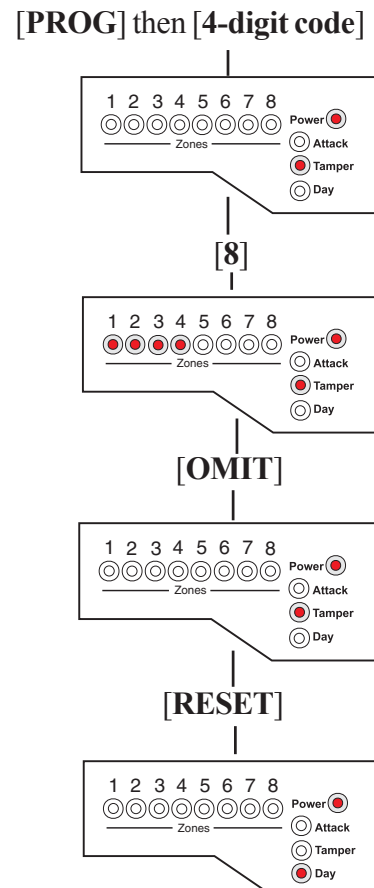
LCD Keypad:

- Press **[PROG]** and then enter the user 2 **[4-digit code]**. The **Day** LED goes off to indicate that you are in Programming mode. The first menu **Walk Test** appears on the screen.
- Press the **[8]** button on the keypad to edit user code 2.
- Press **[OMIT]** to delete user code 2.
- The message **Code Deleted** is displayed on the screen.
- Press **[RESET]** twice to exit Programming mode. The **Day** LED will come on with the screen in **Day** mode.



LED Keypad:

- Press **[PROG]** and then enter the user 2 **[4-digit code]**. The **Day** LED goes off to indicate that you are in Programming mode.
- Press the **[8]** button on the keypad to edit user code 2. LED's 1-4 are on.
- Press **[OMIT]** to delete user code 2.
- User code 2 is deleted. LED's 1-4 are off.
- Press **[RESET]** twice to exit Programming mode. The **Day** LED comes on and the **Tamper (TA)** goes off.



Duress Code

Your alarm system can have a duress code. The Duress code is used in a hold-up situation where there is pressure to set or unset the system. The Duress code operates like your normal code but in addition it will silently send a signal to the Alarm Receiving Centre. The operator at the ARC may request the Police to attend your premises.

The duress code can only set up, edited and deleted by the installer while in *Engineer program mode*.

NOTE: The Duress code facility is not applicable to the **Optima compact** system.

How to View the Event Log

1 = LCD Keypad:

The event log gives a display of all the events that have taken place. The events are arranged by date and time. Up to 250 events can be stored in the memory. When the log reaches 250 events and another event takes place, the oldest event drops out.

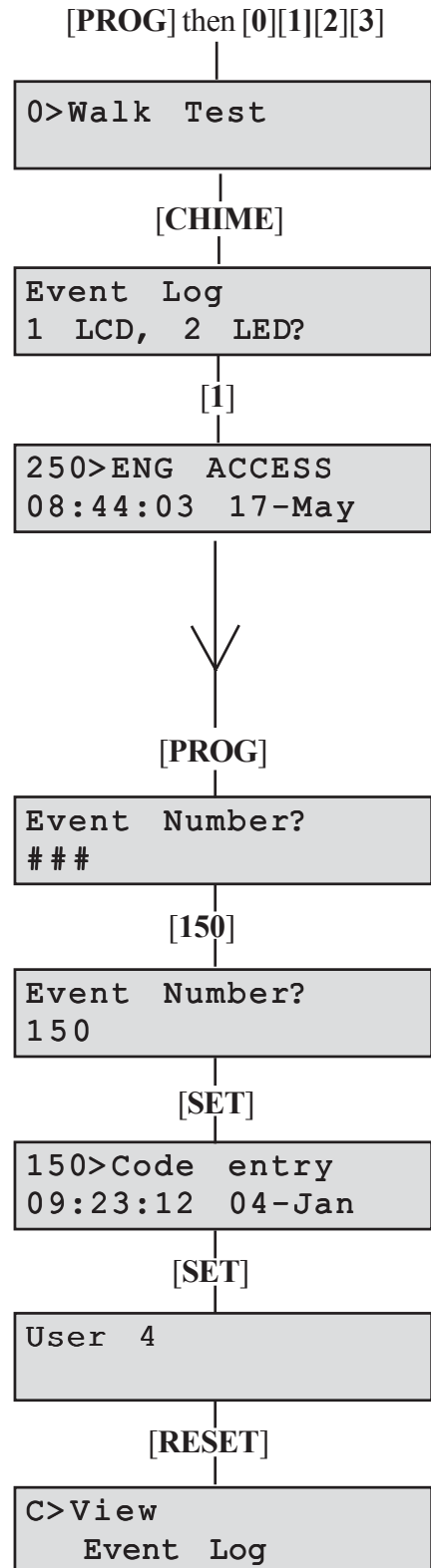
To view the event log:

- Press [**PROG**] and then enter your code [0][1][2][3]. The **Day** LED goes off to indicate that you are in Programming mode. The first menu **Walk Test** appears on the screen.
 - Press [**CHIME**].
 - Choose [1] for Event Log in LCD screen.
 - The last event (250) appears on LCD screen.
- To go forward through the event log in sequence, press [**OMIT**].
To go back through the event log in sequence, press the [**up arrow**].

- Press [**RESET**] twice to leave the menu.

To go to a specific event:

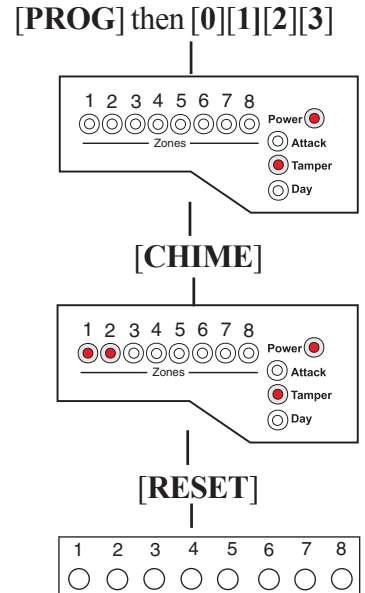
- Press the [**PROG**] button.
- Key in Event Number you want to see (eg 150).
- Press the [**SET**] button. The event appears on the LCD screen.
- Press [**SET**] again to see further details of the event.
- Press [**RESET**] twice to leave the menu option.



2 = LED Keypad:

The LED keypad is limited to show the last eight set periods with the eighth being the oldest. **Zone**, **Attack (PA)** and **Tamper (TA)** LED's will be on to show zone in alarm. Flashing LED indicates the first zone in alarm. **Day** indicates the status of the panel at the time of the alarm.

- Press [**PROG**] and then enter your code [**0**][**1**][**2**][**3**]. The **Day** LED goes off and the **Tamper (TA)** LED comes on to indicate that you are in Programming mode.
- Press [**CHIME**] to enter into Event Log menu. LED's 1 and 2 are on.
- Press [**2**] for LED keypad. The first zone to activate is indicated by a flashing LED.
- Press [**1 to 8**] for the desired event or [**CHIME**] to go through events in sequence.
- Press [**RESET**] twice to leave the menu.



How to Test Your Alarm system

You should check that your alarm system still works correctly by periodically carrying out the alarm system tests described here.

How to Test the Bell, Strobe and Internal Sounder

This function tests the alarm function of the Bell, Strobe or Internal Sounder. Pressing the appropriate button [**1-3**] toggles the function ON or OFF. Using the [**up arrow**] also selects the appropriate alarm function.

Pressing the [**0**] button turns all alarm outputs to OFF.

Pressing the [**SET**] button toggles the selected alarm output.

Pressing the [**RESET**] button turns off all outputs and leaves the function.

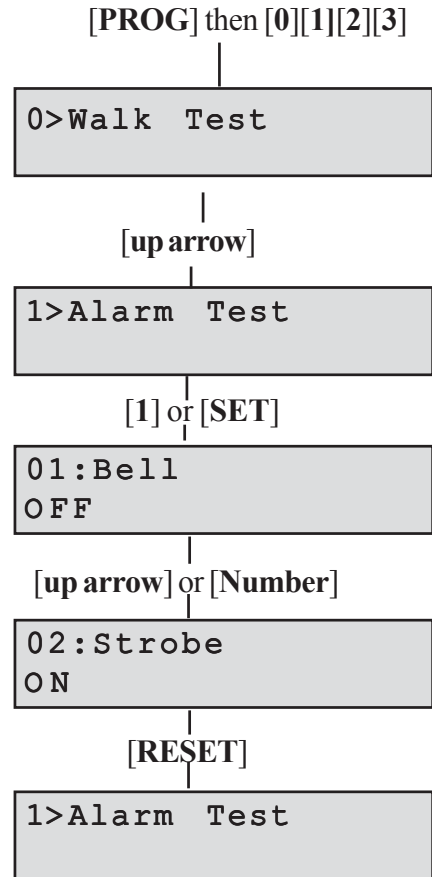
The outputs are:

1 = Bell, 2 = Strobe, 3 = Sounder

NOTE: To test the Low volume sounder enable option 3 only. To test for a high volume sounder enable both options 2 and 3 together.

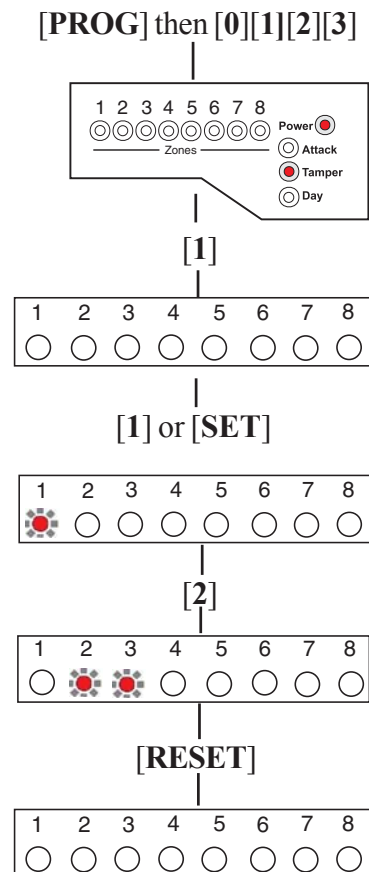
LCD Keypad:

- Press **[PROG]** and then enter your code **[0][1][2][3]**. The **Day** LED goes off to indicate that you are in Programming mode. The first menu **Walk Test** appears on the screen.
- Press **[up arrow]** for menu **Alarm Test**.
- Press **[1]** or **[SET]** to enter into first function ON or OFF.
- Press the **[up arrow]** or number **[2]** or **[3]** for the other functions.
- Press **[RESET]** to leave the menu.



LED keypad

- Press **[PROG]** and then enter your code **[0][1][2][3]**. The **Day** LED goes off and the **Tamper (TA)** LED comes on to indicate that you are in Programming mode.
- Press **[1]** for menu **Alarm Test**.
- Press **[1]** or **[SET]** to toggle first function ON or OFF.
- Press number **[2]** and **[3]** for the other functions.
- Press **[RESET]** twice to exit Programming mode. The **Day** LED comes on and the **Tamper (TA)** LED goes off.



How to do a Walk Test

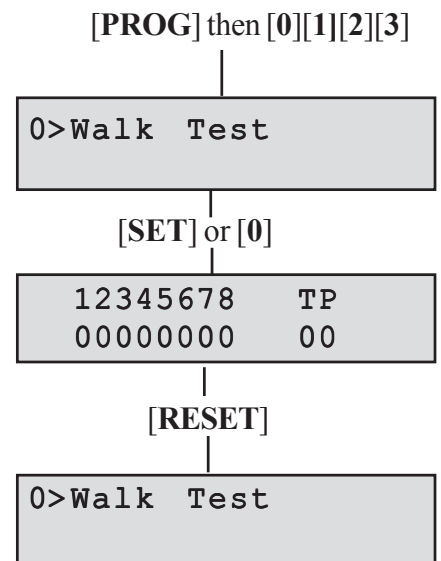
Walk around your property, and in turn cause each detector to go into alarm. Also, open and close all door and windows that are protected by the system. For each detector (including door or window sensor) that is activated the system will produce a series of beeps, and the associated zone will be indicated on the keypad.

NOTE: Do not test any **Personal Attack, Fire or Tamper** buttons during the Walk Test since these are still active and will cause a full alarm.

If any of the tests fail, or you are unsure of the correct procedure, contact your installer

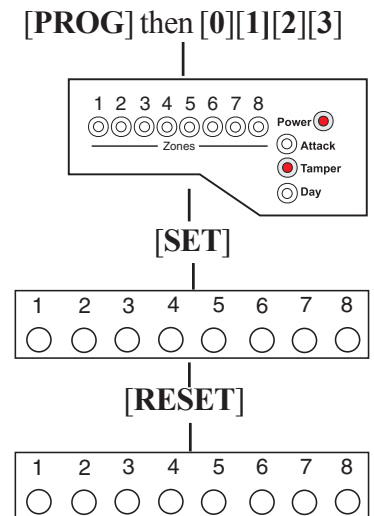
LCD Keypad:

- Press [**PROG**] and then enter your code [**0**][**1**][**2**][**3**]. The **Day** LED goes off to indicate that you are in Programming mode. The first menu **Walk Test** appears on the screen.
- Press [**SET**] or [**0**]. Zones 1-8 have a zero (0) below each number.
- When a zone is successfully tested, number 1 replaces the 0. Zones are added to list as each one is activated.
- Press [**RESET**] to leave the menu or [**SET**] to restart the Walk Test.



LED keypad

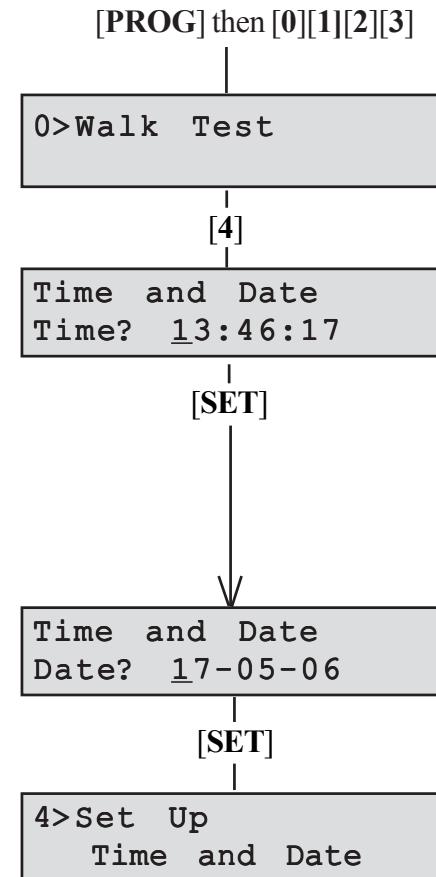
- Press [**PROG**] and then enter your code [**0**][**1**][**2**][**3**]. The **Day** LED goes off and the **Tamper (TA)** LED comes on to indicate that you are in Programming mode, **Walk Test**
- Press [**SET**] or [**0**]. Zones 1-8 are off.
- When a zone is successfully tested, the LED is on. Zones are added to list as each one is activated.
- Press [**RESET**] to leave the menu or [**SET**] to restart the Walk Test.



How to Set up the Time and Date

LCD Keypad:

- Press **[PROG]** and then enter your code **[0][1][2][3]**. The **Day** LED goes off to indicate that you are in Programming mode. The first menu **Walk Test** appears on the screen.
- Press **[4]** and the **Time and Date** Screen appears.
- The **Time** can be modified in hours, minutes and seconds in the format HH:MM:SS. The number keys on the keypad 0-9 are used for this function. As each digit is modified the cursor moves to the next one. When the time is correct press the **[SET]** button to accept the change and move to the next screen or
- To cancel the change press the **[RESET]** button twice.
- The **Date** can be changed in day , month, year format DD-MM-YY. The number keys on the keypad 0-9 are used for this function. As each digit is modified the cursor moves to the next one. When the date is correct press the **[SET]** button to accept the change or
- To cancel the change press the **[RESET]** button twice.



LED Keypad:

If required, the time and date can be entered as per the procedure for the LCD keypad. However no information will be indicated on the LED keypad. The only indication on the LED keypad that you are in menu 4 **Set up Time and Date** is that LED's 1 to 6 on the LED Keypad will be ON.

External Siren Time: _____

Siren delay: _____

Area Protected		Zone Name	Program 1	Program 2	Program 3
Zone 1					
Zone 2					
Zone 3					
Zone 4					
Zone 5					
Zone 6					
Zone 7					
Zone 8					

T = Timed (Entry/Exit Zone)

TI = Timed Inhibited (Access zone to keypad)

I = Immediate



The panels conform to the requirements of the European EMC and Low Voltage directives, and carries the CE mark