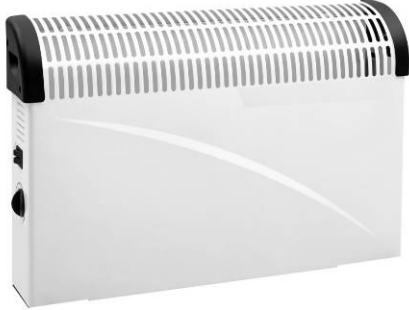




Safety & Operating Instructions
CONVECTOR HEATER
CH-2000B STAND

These instructions are for your safety. Please read through them thoroughly before use and retain for future reference.

Parts Supplied

| Ref | Description | Illustration | Qty |
|------------|--------------------|---|------------|
| A | Main body |  | 1 |
| B | Feet |  | 2 |
| C | Screw for feet |  | 4 |

Tools Required (not supplied)

Cross Head Screwdriver

Before You Start

- Check the pack and make sure you have all of the parts listed above.
- This appliance is designed for use as a supplementary heat source, it is not intended to be the main source of heat.

PLEASE READ THE FOLLOWING INSTRUCTIONS CAREFULLY BEFORE USING THE APPLIANCE.

- This appliance can be used by children aged from 8 years and above and persons with reduced physical, sensory or mental capabilities or lack of experience and knowledge if they have been given supervision or instruction concerning use of the appliance in a safe way and understand the hazards involved. Children shall not play with the appliance. Cleaning and user maintenance shall not be made by children without supervision.
- Children of less than 3 years should be kept away unless continuously supervised. Children aged from 3 years and less than 8 years shall only switch on/off the appliance provided that it has been placed or installed in its intended normal operating position and they have been given supervision or instruction concerning use of the appliance in a safe way and understand the hazards involved. Children aged from 3 years and less than 8 years shall not plug in, regulate and clean the appliance or perform user maintenance.
- CAUTION - Some parts of this product can become very hot and cause burns. Particular attention has to be given where children and vulnerable people are present.
- If the supply cord is damaged, it must be replaced by the manufacturer, its service agent or similarly qualified persons in order to avoid a hazard.

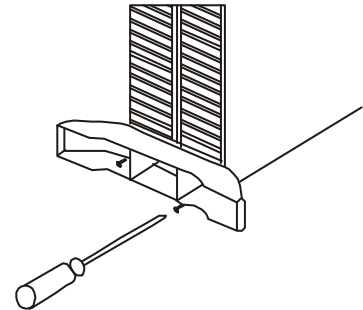


- **WARNING:** In order to avoid overheating, do not cover the heater.
- The heater must not be located immediately below a socket-outlet.
- Do not use this heater in the immediate surroundings of a bath, a shower or a swimming pool.
- CAUTION: In order to avoid a hazard due to inadvertent resetting of the thermal cutout, this appliance must not be supplied through an external switching device, such as a timer, or connected to a circuit that is regularly switched on and off by the utility.
- Do not use the appliance for other than its intended use. For domestic indoor use only.

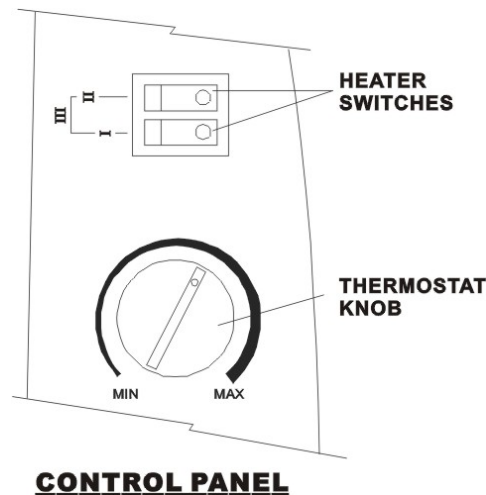
- Place the appliance on a flat, stable, heat-resistant surface. Operating the product in any other position could cause a hazard.
- There may be trace of odour during the first few minutes of initial use. This is normal and will quickly disappear.
- Do not attempt to repair, disassemble or modify the appliance. There are no user-serviceable parts inside.
- CAUTION – if using an extension lead please ensure you do not exceed the maximum rated running wattage/load of the extension lead.

Assembly Instruction

Before using the heater, the feet (supplied separately in the carton), must be fitted to the unit. These are to be attached to the base of the heater using the 4 small self-tapping screws provided, taking care to ensure that they are located correctly in the bottom ends of the heater side mouldings.



Operating Instructions



1. Place the product in an upright position on a flat, steady, stable, heat-resistant surface. Make sure there is nothing flammable or heat sensitive within 1 metre (40 inches). Operating the product in any other position could cause a hazard.

2. Insert the plug into a suitable wall outlet after turning the thermostat switch counter-clockwise to the minimum position and setting the Heater Switches and Fan Switch to "OFF". The heater is suitable for operation on an electricity supply having the same voltage as that show on it's rating label.
 3. Turn on the Heater Switch to "I" (750W) for low heating. Turn on the Heater Switch "II" (1250W) for medium heating. Turn on both switches for high heating (2000W).
 4. Turn the thermostat knob clockwise to maximum position. When the room temperature has risen to a comfortable level, slowly turn thermostat counter-clockwise until you hear a click. The thermostat will now attempt to maintain the room at this temperature by automatically cycling on-and-off.
 5. To adjust the room temperature, turn the thermostat clockwise to raise the temperature, or counter-clockwise to lower it.
 6. To turn the heater off, switch off both "750W" and "1250W" switches.
- (Note: There may be trace of odour during the first few minutes of initial use. This is normal and will quickly disappear.)

Safety Control (Thermal Cut-Out):

CAUTION - This product has one non-self-resetting overheat protection devices.

In the event that the heater stops working as a result of overheating take the following immediate steps: switch the electricity off at the socket and remove the plug. Remove any objects that are covering the product. **CAUTION:** Do not touch the heater as it will be hot.

Set the heater switches to OFF and leave the heater to cool down fully. Once completely cool, reconnect the heater and switch it on. Do not open this product. There are no user-serviceable parts inside.

Plug Replacement

- This appliance is supplied with a BS1363 3 pin plug fitted with a 13 Amp fuse. Should the fuse require replacement,

it must be replaced with a fuse rated at 13 Amp and approved to BS1362.

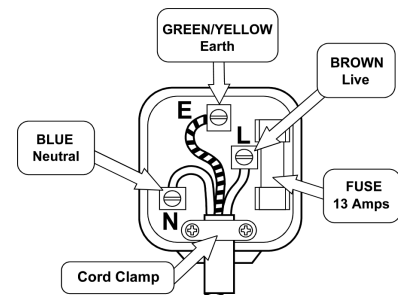
- In the event the mains plug has to be removed/replaced for any reason, please note:

The wires in the mains lead on this appliance are coloured in accordance with the following code:

Green and Yellow – Earth

Blue – Neutral

Brown – Live



THIS APPLIANCE MUST BE EARTHED

As the colours may not correspond with the markings identifying the terminals in your plug proceed as follows.

- The green and yellow wire must be connected to the terminal in the plug, which is marked with the letter E or with the earth symbol \equiv or coloured green and yellow.
- The blue wire must be connected to the terminal marked N or coloured black.
- The brown wire must be connected to the terminal marked L or coloured red.

Important - any cut off plug should be disposed of safely to prevent hazard. There is a danger of electric shock if a cut off plug is inserted into a socket outlet.

Care and Cleaning

1. Always ensure the product's housing is intact and completely assembled before each use.
2. Clean the exterior surface of the product by wiping it with a soft, damp cloth.

CAUTION: Allow the product to completely cool before handling or cleaning it.

Ensure the product is in the “ 0 ” (OFF) position and the power cord is unplugged from the electrical outlet before cleaning the product.

3. Do not allow water or other liquids to run into the interior of the product, as this could create a fire and/or electrical hazard.
4. Do not use any abrasive cleaners or solvents, as product damage will occur.
5. Store the product in a clean, dry place when it is not in use.

Conformity with Directives

- Conforms with relevant European Directives.



Environmental Protection

- Waste electrical products should not be disposed of with household waste. Please recycle where facilities exist. Check with your Local Authority or retailer for recycling advice



SFD Ltd BA22 8RT