

INSTALLATION INSTRUCTIONS FOR THE 100mm(4") RANGE OF BATHROOM/TOILET EXTRACTOR FANS.

(PULLCORD MODEL IS NOT SUITABLE FOR CEILING FIXING)

- NOTE:**
- (i) For best results this Extractor Fan should be fitted as high on the wall as possible, or if preferred, on the ceiling.
 - (ii) Do not install the unit within a shower cubicle. Use our shower fans.
 - (iii) Switch off mains supply before making electrical connections. If in any doubt contact a qualified electrician.
 - (iv) This fan is double insulated and does not require an earth.
 - (v) When installing fan through an external wall, an external wall grille must be fitted at all times.

1. Cut a 112mm (4 1/2") min. diameter hole in the wall. If the fan is to be fixed in the ceiling ensure that the hole is between the joists.

2. Fit 100mm/4" (internal diameter) ducting flush to the plaster.

3. Remove the cover from the fan by removing the two small screw caps on the front cover and remove the two retaining Philips screws.

4. Hold the body of the fan against the wall or ceiling and mark the four screw holes and the cable entry.

IMPORTANT: Ensure that the fan is square on wall or ceiling.

5. Bring power cable into position, as marked. Allow an extra 230mm (9") protruding to facilitate connection.

6. **Wiring of Standard Model. See Diagram X1.**

The fan can either be operated from a separate pullcord switch fitted to the ceiling of the room or can be connected to the light switch so that the fan will start when the light is switched on. A double pole fused spur having a contact separation of at least 3mm in all poles must be used and fitted with a 3amp fuse, and should be sited outside any room containing a shower or fixed bath. The fan should not be accessible to a person using either the shower or the bath.

NOTE: All wiring must be fixed securely and the cable to the fan should be a minimum of 1mm² in section. All wiring must comply with current I.E.E. Regulations. If in any doubt contact a qualified electrician.

7. **Wiring of Pullcord Models. See Diagram X2**
(THIS MODEL IS NOT SUITABLE FOR CEILING FIXING)

This fan has its own integral pullcord on/off switch. The cable from the fan must

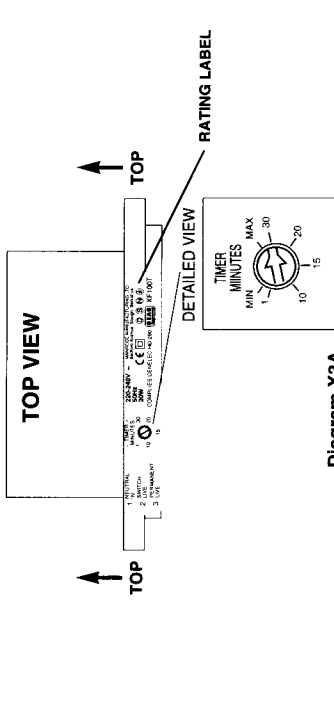
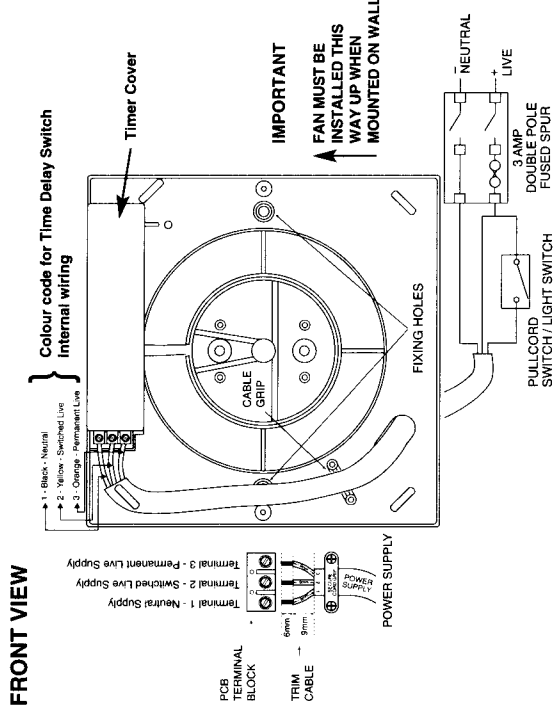


Diagram X3A



SCREWFIX DIRECT

CE

Screwfix Direct, Houndstone Business Park, Yeovil, BA22 8RT
Telephone: 0870 010 41 41 Fax: 01935 414000

077237

1100

be connected to a double pole fused switch having a contact separation of at least 3mm in all poles, it must be used and fitted with a 3 amp fuse, and should be sited outside any room containing a shower or fixed bath. The fan should not be accessible to a person using either the shower or the bath.

NOTE: All wiring must be fixed securely and the cable to the fan should be a minimum of 1mm² in section. All wiring must comply with current I.E.E. Regulations. If in any doubt contact a qualified electrician.

Wiring of Timer Model. See Diagram X3.

The fan can either be operated from a separate pulcoid switch fitted to the ceiling of the room or can be connected to the light switch so that the fan will start when the light is switched on. A double pole fused spur having a contact separation of at least 3mm in all poles must be used and fitted with a 3 amp fuse, and should be sited outside any room containing a shower or fixed bath. The fan should not be accessible to a person using either the shower or the bath.

NOTE: All wiring must be fixed securely and the cable to the fan should be a minimum of 1mm² in section. All wiring must comply with current I.E.E. Regulations. If in any doubt contact a qualified electrician.

Timer Adjustment

The Timer fan will run approximately one minute after it has been switched off. This time delay can be increased by firstly switching off the power to the fan. Remove the cover and the timer cover as detailed in diagram X3A. Insert a small screwdriver into the slot, marked Ⓢ in **Diagram X3A**, and turn clockwise to reduce the time and anti-clockwise to increase the time.
Only adjust with power switched off.

The minimum time the timer will run for is 20 seconds and the maximum is about 20 minutes.

NB Timer delay is adjustable as indicated on the timer strip cover.

T. Max 40°C IP24
 220-240V -50Hz 20W

IMPORTANT

Switch off mains supply before making any electrical connections. If in any doubt contact a qualified electrician.

The appliance is not intended for use by young children or infirm persons without supervision.

Young children should be supervised to ensure that they do not play with the appliance.

Precautions must be taken to avoid the back-flow of gases into the room from the open flue of gas or other open-fire appliances when mounted in outside windows or walls.

Diagram X1

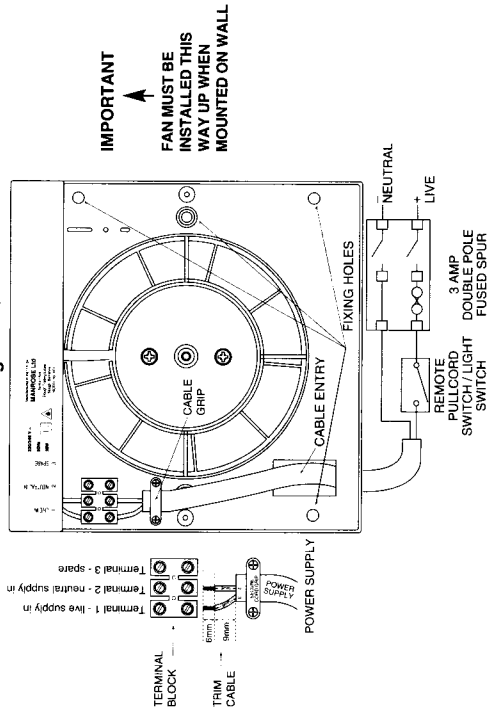


DIAGRAM X2

