

Nilfisk ALTO P 130.1/150.1/160.1

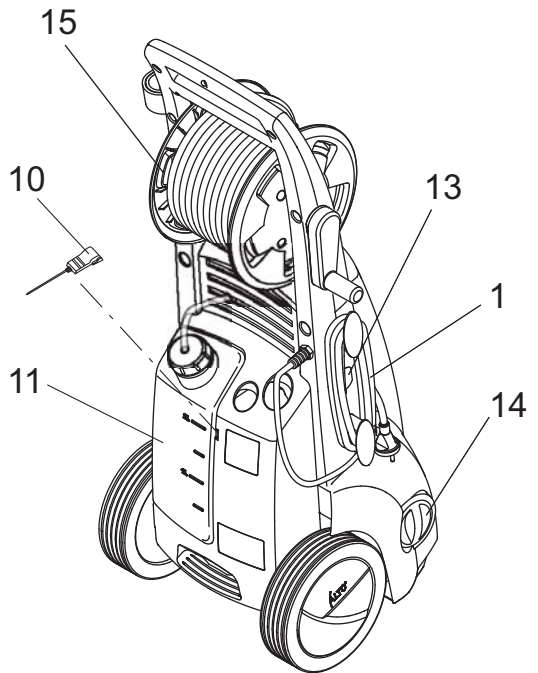
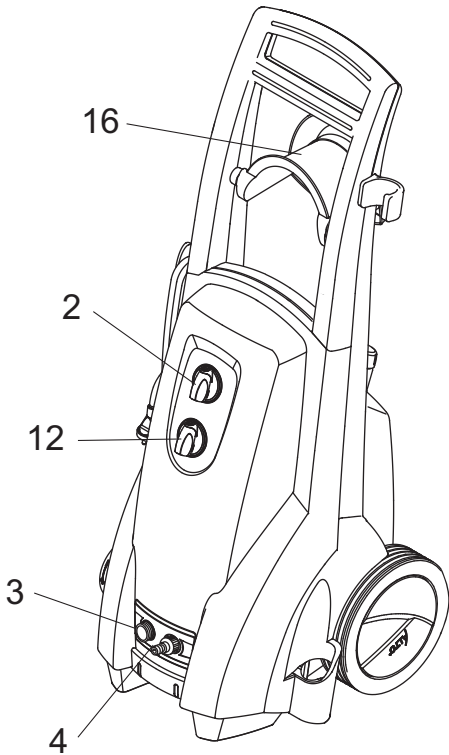
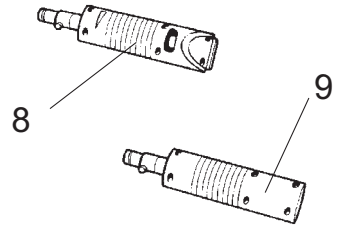
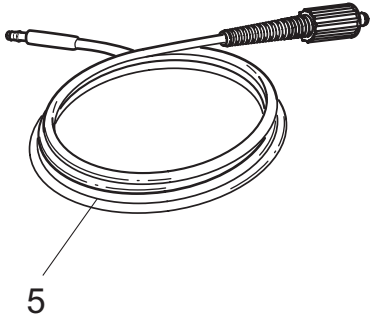
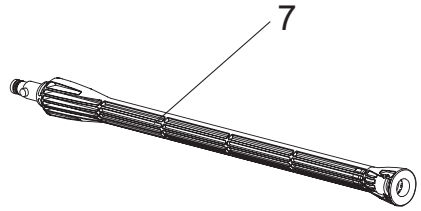
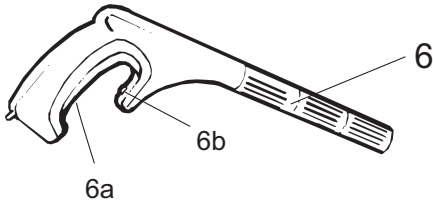
Nilfisk ALTO P 130.1/150.1/160.1 X-TRA



Nilfisk ALTO

Why Compromise

(EN)	Instruction manual	3 - 8
(ES)	Manual de Instrucciones	9 - 15
(PT)	Manual de Instruções	16 - 22
(EL)	γχειρίδιο οδηγιών	23 - 29
(PL)	Instrukcja obsługi	30 - 36
(CS)	Návod k obsluze	37 - 43
(HU)	Üzemeltetési útmutató	44 - 50
(TR)	İşletme kılavuzu	51 - 57
(RU)	Руководство	58 - 64
(SL)	Priročnik z navodili za uporabo	65 - 71
(SK)	Návod na používanie	72 - 77
(HR)	Priručnik za korisnike	78 - 83



We congratulate you on your new Nilfisk-ALTO High Pressure Washer

We are confident that the new high pressure washer of Nilfisk-ALTO will justify your expectations of quick and effective cleaning. Now you have a cleaning device which will facilitate your future cleaning tasks and make them more effective. Many tasks which were previously difficult, can now be solved in a few minutes and with a much better result.

If, contrary to expectations, problems should arise which cannot be remedied by means of the information in section 8.0, the Nilfisk-ALTO service organization will be at your disposal.

Nilfisk-ALTO is a global concern with a comprehensive knowledge within development and manufacturing of efficient and environmentally friendly cleaning solutions. Our product range comprises cleaning solutions for selected customer groups - from machines for domestic use to big industrial cleaning systems.

The expertise of Nilfisk-ALTO is cleaning focusing the need of the customer. Our wish is that you as a customer should feel quite confident that the cleaning equipment you buy from us is the most efficient and that it fulfills all of your expectations.

Best regards

Nilfisk-ALTO

Division of Nilfisk-Advance A/S

Fields of application EN

The applications for this product are domestic cleaning jobs:

Car, motorbike, boat, caravan, trailer, patio/drive/flagstones, woodwork, brickwork, barbecue, garden furniture etc.

Contents EN

1.0	Preparation	4
2.0	Operating instructions	5
3.0	Accessories	6
4.0	Maintenance	7
5.0	Storage	7
6.0	Recycling the washer	7
7.0	Questions - and answers	7
8.0	Trouble shooting guide	8
9.0	Warranty	84

Model survey (P 12 476)

1. Electric cable
2. Start-/stop switch
3. Connection for high pressure hose (only PRO 130/150/160)
4. Connection for water (with filter)
5. High pressure hose
6. Spray gun with trigger (6a) and locking device (6b)
7. Spray lance with bayonet socket
8. TORNADO® PR nozzle
9. POWERSPEED® nozzle
10. Needle for cleaning of nozzle
11. Detachable container for detergents
12. Dosing regulator for detergents
13. Pressure gauge (not available on model B)
14. Regulation of pressure / water volume (not available on model B)
15. Hose reel (only PRO 130/150/160 X-TRA)
16. Hose storage (only PRO 130/150/160)

Specifications: See model tag of machine.

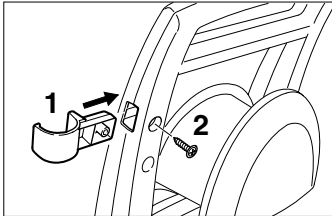
Sound pressure level L_{pA} measured in accordance with ISO 3744, EEC Directive 2000/14/EEC: 80 dB(A).

Hand/arm vibrations measured according to ISO 5349 is 2 m/s².

Before starting up your high pressure washer, we advise you to carefully read through this instruction manual. Follow all instructions to minimize the risk of injuries when using the machine.

Prior to operation

Before you start up your new machine for the first time, you must mount the holder for the spray lance. It is fixed at the top of the transport handle.



1. Insert the holder in the recess of the handle (see illu.).
2. Fix the holder with the screw.

Mount water filter and water inlet connection (4).

PRO 130/150/160 X-TRA: Mount the handle for the hose reel.

Before starting up your machine please check it carefully for any defects. If you find any, do not start up your machine and contact your Nilfisk-ALTO distributor.

Especially check:

- The insulation of the electric cable should be faultless and without any cracks. If the electric cable is damaged, it should be replaced by an authorized Nilfisk-ALTO distributor.

Mains power connection

The following should be observed when connecting the high pressure washer to the electric installation:

- Only connect the machine to an installation with earth connection.
- The electric installation shall be made by a certified electrician.
- It is strongly recommended that the electric supply to this machine should include a residual current device (GFCI).

Extension cable

Extension cables should be of a watertight construction and comply with the below-mentioned requirements for length and cable dimensions.

1,5 mm ²	max	20	m
2,5 mm ²	max	30	m

- Cable connections should be kept dry and off the ground.
- Always uncoil the extension cable completely to avoid heat damage to the cable.

Water connection

Connect the high pressure washer by means of a water hose to the water tap (pressure of inlet water, max. 10 bar - temperature of inlet water, max. 60°C). You may use an ordinary ½" garden hose of **min. 5 m** and **max. 25 m**. Attach the hose using a quick connector. **NOTE:** Connection to the public mains according to regulations.

IMPORTANT! Only use water without any impurities. If there is a risk of running sand in the inlet water (i.e. from your own well), a filter should be mounted.

Safety precautions

- **WARNING!** High pressure jets can be dangerous. Never direct the water jet at persons, pets, live electrical equipment or the machine itself.
- The operator and anyone in the immediate vicinity of the site of cleaning should take action to protect themselves from being struck by debris dislodged during operation. Wear goggles during operation.
- Never try to clean clothes or footwear on yourself or other persons.
- Do not let children or people who have not read the instruction manual operate the machine.
- Never use the machine in an environment where there could be a danger of explosion. If any doubt arises, please contact the local authorities.
- It is not allowed to clean asbestos-containing surfaces with high pressure.



Safety devices

Locking device on spray gun

The spray gun features a locking device (6b). When the pawl is activated, the spray gun cannot be operated.

2.1 Operating facilities

- Start/stop rotary switch (2).
- Spray gun (6) with trigger (6a) and locking device (6b).
- Dosing regulator for detergents (12).
- Regulation of pressure / water volume (14). (not available on model B)

2.2 Connection

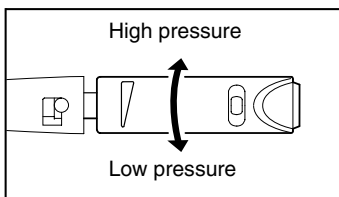
1. *PRO 130/150/160*: Attach the high pressure hose (5) to the connection for high pressure hose (3). Only use one extension hose of max. 7 m.
PRO 130/150/160 X-TRA: Unwind the high pressure hose completely.
2. Attach the nipple of the high pressure hose to the spray gun quick coupling.
3. Mount the nozzle or any other equipment you want to use.
4. Connect the machine to the water and power supplies.

2.3 Start

1. Check that the machine is in vertical position.
2. Activate the trigger of the spray gun (6a) and let the water run out until any air has escaped from the inlet hose.
3. Turn the start/stop switch (2) to pos. I.

2.4 Operation

1. **Always hold the spray lance firmly with both hands!** The spray lance is affected by a longitudinal thrust of up to 26.5 Nm when the high pressure washer is operated.
2. **Point the nozzle at the ground!**
3. Activate the trigger of the spray gun (6a).
4. Always adjust the distance and thus the pressure of the nozzle to the surface which is to be cleaned. **NOTE:** The pressure can be regulated on the TORNADO® PR nozzle or the button for regulation of pressure / water volume (14).



NOTE: Do not cover the machine during operation. If the machine is left or not used for 5 minutes, it must be switched off on the start/stop switch (2) pos. O.

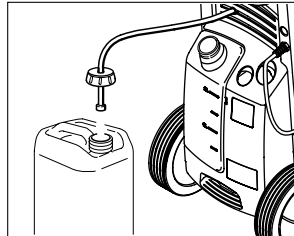
Operation with detergents

Application of detergents is **NOT** possible if an extension hose is applied.

1. Fill the container with a detergent.
2. Mount the TORNADO® PR nozzle and adjust it to low pressure (see section 2.4.4).
3. Adjust the dosing regulator (12) to the required volume of detergent (0-5%).
4. Apply the detergent from below and upwards.
5. Let the detergent act for the time stated on the packing of the detergent and flush with pure water.

Separate detergent container

1. Remove the cover with suction hose from the detergent container.
2. Mount the cover with suction hose on the separate detergent container.



The cover has a standard thread and fits common detergent containers. If your container does not have a standard thread, detach the filter from the suction hose and remove the cover. Remount the filter in the suction hose.

Extra detergent hose can be pulled out of the machine.

2.5 Regulation of pressure / water volume

This function is not available on model B.

Working pressure and water volume can be regulated on the machine by turning the button for regulation of pressure / water volume (14). The pressure can be read on the pressure gauge (13).

2.6 Suction mode

The machine can take in water from a rain water butt as an example. In the suction mode, the inlet hose must be filled with water before starting up the machine. The water inlet hose must not be too long, approx. 5 m.

1. Make sure that the water butt is not placed on a lower level than the machine.
2. Attach the water inlet hose to the machine and place the other end of it in the water butt.

3. Start the machine.
4. Detach the spray lance and activate the trigger of the spray lance. Keep the trigger activated until water has come out for approx. 15 seconds.
5. Remount the spray lance and the machine is ready for operation.

NOTE: The internal filter of the machine is not intended for the filtration of large quantities of impurities. If the water contains leaves, sand or the like, an external suction filter should be mounted. For further information, please contact your nearest Nilfisk-ALTO distributor.

2.7 End of operation

1. Stop the machine by turning the start/stop switch (2) to pos. **O**.
2. Disconnect the plug from the socket.
3. Shut off the water supply and activate the trigger (6a) to relieve the machine of pressure.

Concerning storage, please refer to section 5.0.

3.0 Accessories EN

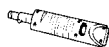
Standard Equipment

Only use original accessories.

Nozzles

Attached with the bayonet coupling system. Stored on the machine.

Tornado® PR (8)



Universal adjustable nozzle.

Turn to the left:

high pressure.

Turn to the right:

low pressure.

Powerspeed® (9)



Nozzle with rotating jet for stubborn dirt on hard surfaces.

Extra Equipment

Extension hose

7 m extension hose increasing the working range.

Brushes

For cars and other surfaces. Available in more shapes.



Tube cleaner

15 m long tube cleaner for the cleaning of tubes and drains.

Water-sand-blasting equipment

For removal of paint and rust. Sand available from do-it-yourself shops.

Patio Cleaner

Equipment for quick and regular cleaning of horizontal (tiles etc.) and vertical surfaces.



Garden brush

Rotating brush for cleaning of wooden surfaces.



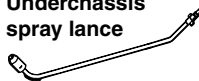
Rim brush

Rotating brush for cleaning of wheel rims.



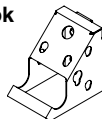
Underchassis spray lance

Special spray lance for under-chassis cleaning.



Wall hook

For suspension of your high pressure washer on the wall.



Detergents

Only use original accessories.

Stone & Wood Cleaner

For flagstones, brick- and woodwork. Suitable for moss and algae.

Plastic Cleaner

For plastic and synthetic materials such as garden furniture.

Metal Cleaner

For cleaning of metal such as garden tools.

Car Combi Cleaner For cars etc. With rinsing wax.

Alu Cleaner

For surfaces of aluminium. Applied with an atomizer.

Oil & Grease Cleaner

For cleaning of grease and oil on motors for instance. Applied with an atomizer.

Wood Cleaner

For cleaning of wooden surfaces incl. of wooden garden furniture.

4.0 Maintenance EN

WARNING! Always disconnect the plug from the socket prior to maintenance or cleaning.

To ensure a long and problem free working life, please take the following advice:

- Wash out water hose, high pressure hose, spray lance and accessories before mounting.
- Clean the couplings of dust and sand.

Any repair should always be made in an authorised workshop with original spare parts.

4.1 Cleaning of nozzle

A clogging up in the nozzle causes a lower water volume. This is why cleaning is required immediately.

1. Stop the machine and disconnect the nozzle.
2. Clean the nozzle with the cleaning needle (10).

IMPORTANT: The needle should only be used when the spray lance is detached!

3. Flush the spray lance backwards with water.

4.2 Cleaning of water inlet filter

Clean the water inlet filter regularly once a month or more frequently according to use.

1. Detach water inlet hose and coupling (4).
2. Pull out the filter and rinse it carefully.
3. Check that it is intact before re-mounting it.

5.0 Storage EN

The machine should be stored in a frost-free room!

Pump, hose and accessories should always be emptied of water prior to storing as follows:

1. Stop the machine (rotary switch (2) in pos. **O**) and detach water hose and accessory.
2. Restart the machine and activate the trigger. Let the machine run until no more water runs through the spray gun.
3. Stop the machine and unplug. Wind the electric cable round the hooks placed on the side of the machine.
4. Separate spray gun and high pressure hose.
5. **PRO 130/150/160:** Detach high pressure hose, coil it up and place it on the hose storage.
PRO 130/150/160 X-TRA: Coil the high pressure hose up on the hose reel.
6. Place spray gun, nozzles and other accessories in the holders of the machine.

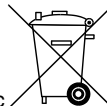
Should the machine by mistake be frozen, it will be necessary to check it for damage.

**NEVER START-UP A FROZEN MACHINE.
Frost damages are not covered by the guarantee!**

6.0 Recycling the washer

Make the old cleaner unusable immediately.

1. Unplug the cleaner and cut the electric cable.



Do not discard electrical appliances with household waste.

As specified in European Directive 2002/96/EC on old electrical and electronic appliances, used electrical goods must be collected separately and recycled ecologically.

Contact your local authorities or your nearest dealer for further information.

7.0 Questions and answers

Why do I have to use an atomizer for some detergents?

Some detergents (except from soaps) must be applied undiluted. For that purpose an atomizer or maybe a brush is unique.

Why must the high pressure washer be stored in a frost free room?

The machine may contain water which, when freezing, may damage vital parts.

How do I store my high pressure washer in the best possible way?

Always empty the high pressure washer of water by activating the trigger of the spray gun - after having disconnected the water supply. Always detach the high pressure hose (only PRO 130/150/160) and coil it up without bending it.

May I use an ordinary detergent in my high pressure washer?

No. You may damage the cleaner and achieve a bad result. The detergents of Nilfisk-ALTO have been specially developed for use with a high pressure washer and ensures a correct dosage and a quick effect.

Can I do anything special to keep my high pressure washer in a good condition?

Yes, beyond cleaning it carefully before set aside, it will be a good idea to lubricate the couplings now and then with grease or vaseline.

8.0 Trouble shooting guide

EN

To avoid unnecessary disappointments, you should check the following before contacting the Nilfisk-ALTO service organisation:

Symptom	Cause	Recommended action
Machine refuses to start	Machine not plugged in Defective socket Fuse has blown Defective extension cable	Plug in machine. Try another socket. Replace fuse. Switch off other machines. Try without the extension cable.
Machine stops	Fuse has blown Incorrect mains voltage Thermal sensor activated	Replace fuse. Switch off other machines. Check that the mains voltage corresponds to specification on the model tag. Wait - the machine will start after a few minutes. WARNING! The trigger of the spray gun must not be activated.
Fuse blows	Fuse too small	Change to an installation higher than the amp. consumption of the machine. You may try without the extension cable.
Machine pulsating	Air in inlet hose/pump Inadequate supply of mains water Nozzle partially blocked Water filter blocked Hose kinked High pressure hoses too long	Allow machine to run with open trigger until regular working pressure resumes. Check that the water supply corresponds to specifications required (see model tag) NB! Avoid using long, thin hoses (min 1/2") Clean the nozzle (see section 4.1) Clean the filter (see section 4.2) Straighten out hose. Disconnect high pressure extension hoses and retry. (Extension hose max. 7 m).
Machine often starts Centre. and stops by itself	Pump/spray gun is leaking	Contact your nearest Nilfisk-ALTO Service
Machine starts, but no water comes out	Pump/hoses or accessory frozen No water supply Water filter blocked Nozzle blocked	Wait for pump/hoses or accessory to thaw. Connect inlet water. Clean the filter (see section 4.2) Clean the nozzle (see section 4.1)
Pump pressure drops	Button for regulation of pressure / water volume not correctly adjusted (not available on model B)	Adjust the button to correct working pressure.

In case problems other than the above occur, please contact your local Nilfisk-ALTO distributor.

9.0 Warranty conditions

EN

Nilfisk-ALTO guarantees high pressure washers for domestic use for 2 years. If your high pressure washer or accessories are handed in for repair, a copy of the receipt must be enclosed.

Guarantee repairs are being made on the following conditions:

- that defects are attributable to flaws or defects in materials or workmanship. (wear and tear as well as misuse are not covered by the guarantee).
- that the directions of this instruction manual have been thoroughly observed.
- that repair has not been carried out or attempted by other than Nilfisk-ALTO-trained service staff.
- that only original accessories have been applied.
- that the product has not been exposed to abuse such as knocks, bumps or frost.
- that only water without any impurities has been used.
- that the high pressure washer has not been used for rental nor used commercially in any other way.

Repairs under this guarantee include replacement of defective parts, exclusive of packing and postage/carriage. Besides, we refer to your national law of sale.

The machine should be forwarded to one of the service centres of the Nilfisk-ALTO organisation with description/specification of the fault.

Repairs not covered by the guarantee conditions will be invoiced. (I.e. malfunctions due to **Possible Causes** mentioned in section **Troubleshooting Chart** of the instruction manual).

9.0 Garantia

PT

Nilfisk-ALTO oferece garantia de 2 anos para aparelhos de alta pressão utilizados por particulares. A garantia é válida a partir da data de aquisição. Em caso de necessidade de reparações dentro do prazo da garantia, a cópia da nota fiscal de compra deverá então ser anexado ao aparelho ou acessórios.

Condições de reparação dentro do prazo de garantia:

- em caso de falhas de material ou de fabricação (a garantia não é válida em questões de desgaste ou desuso)
- as intruções contidas no manual de instruções deverão ser mantidas rigorosamente.
- eventuais reparações não podem ser efetuadas por outros serviços técnicos que não sejam os autorizados pela Nilfisk-ALTO.
- somente deverão ser utilizadas peças originais.
- o aparelho de alta pressão não tenha sido exposto a sobrecargas em forma de pancadas, queda ou congelamento.
- Somente tenha sido utilizada água limpa, sem impurezas.
- que o aparelho de alta pressão não tenha sido alugado, ou tenha sido utilizado a fins comerciais.

Reparações dentro da garantia incluem somente a troca de peças danificadas; não são incluídas despesas de transporte ou de embalagem. Em qualquer caso, serão válidas as leis nacionais de compra.

O aparelho deverá ser entregue/transportado a uma oficina de serviços técnicos autorizada pela Nilfisk-ALTO, juntamente com uma descrição/especificação do defeito.

Reparações que não sejam abrangidas pela garantia serão faturadas (como exemplo, se a origem da falha é devida a um dos motivos mencionados no manual de instruções, capítulo problemas e soluções).

84

9.0 Condiciones de la garantía

ES

Nilfisk-ALTO garantiza el equipo de limpieza de alta presión para uso doméstico por 2 años. La garantía se aplica desde la fecha de compra. Debe adjuntar una copia del recibo al entregar para la reparación su máquina de alta presión o sus accesorios.

Las reparaciones cubiertas por la garantía deben cumplir las siguientes condiciones:

- que los defectos sean atribuibles a fallos o defectos en los materiales o la manufactura. (El desgaste por utilización así como el mal uso no están cubiertos por la garantía).
- que las instrucciones de este manual se hayan observado completamente.
- que la reparación no haya sido realizada o intentada por persona ajena al personal instruido por Nilfisk-ALTO.
- que se hayan utilizado únicamente accesorios originales.
- que el producto no se haya expuesto a malos usos tales como golpes, abolladuras o heladas.
- que se haya utilizado únicamente agua sin impurezas.
- que el equipo de limpieza de alta presión no se haya arrendado ni utilizado comercialmente de cualquier otra manera.

Las reparaciones cubiertas por esta garantía incluyen la sustitución de partes defectuosas, a excepción del embalaje y portes/transporte. Además, consulte su Ley Nacional de Ventas. La máquina debe ser enviada a uno de los servicios técnicos de Nilfisk-ALTO con la descripción/especificación de la avería.

Las reparaciones no cubiertas por las condiciones de esta garantía se facturan. (Es decir, los desperfectos debidos a **Posibles Causas** mencionadas en la sección **Problemas**. Guía rápida del manual de instrucciones).

9.0 Συνθήκες εγγύησης

EL

Η Nilfisk-ALTO παρέχει εγγύηση για τα μηχανήματα πλύσης υψηλής πίεσης για 2 χρόνια. Αν το μηχάνημα πλύσης υψηλής πίεσης που διαθέτετε ή τα εξαρτήματά του αποσταλούν για επισκευή, πρέπει να σωκλείεται ένα αντίγραφο της απόδειξης αγοράς. Επισκευές που καλύπτονται από την εγγύηση πραγματοποιούνται υπό τις ακόλουθες συνθήκες:

- τα ελαττώματα αποδίδονται σε ατέλειες ή ελαττώματα υλικών ή εργασιών κατασκευής. (φθορά, σχισίματα καθώς και ακατάλληλη χρήση δεν καλύπτονται από την εγγύηση).
- οι οδηγίες του παρόντος εγχειριδίου έχουν τηρηθεί σχολαστικά.
- δεν έχει πραγματοποιηθεί ή επιχειρηθεί επισκευή από άλλον εκτός από προσωπικό συντήρησης εκπαιδευμένο από τη Nilfisk-ALTO.
- έχουν χρησιμοποιηθεί μόνο αυθεντικά εξαρτήματα.
- το προϊόν δεν έχει υποστεί κακομεταχείριση, όπως κτυπήματα, συγκρούσεις ή πάγωμα.
- έχει χρησιμοποιηθεί μόνο νερό χωρίς ακαθαρσίες.
- το μηχάνημα πλύσης υψηλής πίεσης δεν έχει χρησιμοποιηθεί για εννοκίαση ούτε έχει χρησιμοποιηθεί εμπροκικά με κάποιον άλλο τρόπο.

Οι επισκευές που υπόκεινται στην εγγύηση περιλαμβάνουν αντικατάσταση των ελαττωματικών μερών, εκτός από την συσκευασία και την αποστολή/μεταφορά. Επιπλέον, αναφερόμαστε στη νομοθεσία πωλήσεων του κράτους σας.

Το μηχάνημα θα πρέπει να αποσταλεί σε ένα από τα κέντρα εξυπηρέτησης του οργανισμού Nilfisk-ALTO μαζί με την περιγραφή/τον προσδιορισμό της βλάβης.

Οι επισκευές που δεν καλύπτονται από τις συνθήκες της εγγύησης θα τιμολογούνται. (Θελαδή δυσλειουργίες που οφείλονται σε Ατίτες οι οποίες αναφέρονται στην ενότητα Διάγραμμα Ανίχνευσης Βλαβών του εγχειριδίου).

9.0 GWARANCJA

PL

Nilfisk-ALTO udziela 2-letniej gwarancji na wysokociśnieniowe urządzenie czyszczące przeznaczone na użytek domowy. Gwarancja wchodzi w życie z dniem zakupu. Jeżeli wysokociśnieniowe urządzenie czyszczące oddaje się do naprawy gwarancyjnej, należy przedłożyć kopię rachunku.

Naprawy gwarancyjnej dokonuje się pod warunkiem, że:

- chodzi o wadę materiału lub błąd fabryczny (zużycie lub usterki wywołane niewłaściwą obsługą nie są objęte gwarancją)
- ściśle stosowano się do zaleceń instrukcji obsługi
- naprawy nie próbowali dokonać inni niż autoryzowany przez Nilfisk-ALTO personel obsługi
- używano tylko oryginalne akcesoria
- wysokociśnieniowe urządzenie czyszczące nie było narażone na uderzenia, upadek lub działanie mrozu
- używano tylko czystej wody, bez zanieczyszczeń
- wysokociśnieniowe urządzenie czyszczące nie było wynajmowane lub w inny sposób używane do celów zarobkowych

Okres gwarancyjny obejmuje wymianę uszkodzonych części, nie obejmuje natomiast kosztów przesyłki ani opakowania. Poza tym odsyłamy do krajowego ustawodawstwa dotyczącego sprzedaży.

Urządzenie należy wraz z opisem usterki przesać lub oddać do naprawy do autoryzowanego przez Nilfisk-ALTO zakładu naprawczego.

Naprawy nie objęte przepisami gwarancji są płatne.

(Przykładowo zakłócenia w eksploatacji spowodowane przyczynami wymienionymi w instrukcji obsługi, w rozdziale Zakłócenia funkcjonowania i ich usuwanie).

9.0 Garancia

HU

Nilfisk-ALTO két év garanciát biztosít azokra a magassnyomású tisztítókra, amelyek magánhasználatra vannak szánva. A garancia a megvevési dátumtól lép érvénybe. Ha a gép vagy a tartozékok egy része garanciában levő javításra van beadva, a számla másolatát is be kell adni. Garanciaszolgáltatás a következőket feltételezi:

- hogy anyag-vagy gyáribibáról van szó. (Kopás vagy rendelkezésre bocsátás nem számít be).
- hogy a használati utasítások pontosan be voltak tartva.
- hogy a javítást kizárólag Nilfisk-ALTO-autorizált szakszemélyzet végezte, és nem mások.
- hogy nem használtak nemerediti tartozékokat.
- hogy a magassnyomású tisztító nem volt kitéve káros hatásnak, mint: ütközés, ütés, esés vagy fagy.
- hogy csak tiszta vízzel volt használatra.
- hogy a gép nem volt kikölcsonözve vagy más módon üzletti célra felhasználva.

Egy garanciajavítás magába foglalja a defektes részek kicserélését, de nem fedezi a küldést és a csomagolást.

A gép beadandó egy Nilfisk-ALTO-szervezet műhelybe, a hibaleírással együtt.

Az olyan javítások, amelyeket a garanciahatározatok nem fedeznek, fakturálva lesznek. (Mint pl. üzemszavarok olyan okok miatt amelyek a **Hibamegtalálás és hibajavítás** fejezetbe vannak említve).

9.0 Záruční podmínky

CS

Firma Nilfisk-ALTO poskytuje záruku na vysokotlaké myčky pro domácí použití v délce 2 let. Pokud předáváte vysokotlakou myčku nebo doplňky k opravě, je třeba přiložit kopii stvrzenky.

Záruční opravy se provádějí za následujících podmínek:

- vady jsou způsobeny poruchami nebo vadou materiálu či provedení. (na opotřebení nebo nesprávné použití se záruka nevztahuje).
- byly pečlivě dodržovány směrnice uvedené v této provozní příručce.
- opravy neprováděl ani se o ně nepokusil nikdo jiný, než servisní personál vyškolený společností Nilfisk-ALTO.
- byly použity pouze originální doplňky.
- výrobek nebyl vystaven špatnému zacházení, jako jsou nárazy, rány, či mraz.
- byla použita pouze voda bez nečistot.
- vysokotlaká myčka nebyla používána k pronájmu či jakýmkoli jiným komerčním účelům.

Opravy v rámci této záruky zahrnují výměnu vadných dílů; v tom nejsou zahrnuty náklady na balení a přepravu. Kromě toho odkazujeme na vaše národní zákony o prodeji.

Stroj je třeba zaslat jednomu ze servisních středisek firmy Nilfisk-ALTO spolu s popisem/údaji o závadě.

Opravy, na které se nevztahuje záruka, budou fakturovány. (tj. poruchy z důvodu příčin uvedených v kapitole Tabulka řešení problémů v této provozní příručce).

9.0 Garanti şartları

TR

Nilfisk-ALTO ev kullanimi için üretilen yüksek basınçlı yıkama makinelerine 2 yıl garanti vermektedir. Yüksek basınçlı yıkama makinesi ya da makinenin aksesuarları onarım için teslim edildiğinde satın alma makbuzunun bir kopyası yanında verilmelidir. Garanti kapsamındaki onarım işleri aşağıdaki şartlarda gerçekleştirilir:

- arızaların malzeme ya da işçilikteki kusurlardan kaynaklanmasa (aşınma ve kırılma, binun yanı sıra hatalı kullanım durumları garanti kapsamı dışındadır).
- bu kullanma kılavuzundaki yönergelere titizlikle uyulmuş olması.
- Nilfisk-ALTO tarafından eğitim verilmiş servis personeli dışında hiç kimse tarafından onarım yapılmamış ya da onarıma teşebbüs edilmemiş olması
- yalnızca orijinal aksesuarların kullanılmış olması.
- ürünün çarpmalara, darbelerle veya donmaya maruz bırakılmamış olması.
- makinenin kesinlikle içinde yabancı maddeler bulunmayan suyla kullanılmış olması.
- yüksek basınçlı yıkama makinesinin başkalarına kiralanarak ya da başka herhangi bir şekilde ticari amaçla kullanılmamış olması.

Bu garanti kapsamında gerçekleştirilecek onarım işlerine hatalı parçaların değiştirilmesi dahil, ancak ambalajlama ve posta/taşıma ücretleri dahil değildir. Ayrıca ürünü satın aldığınız kendi ülkenizdeki satış yasalara geçerlidir.

Makine, arızanın tanımı/tarifıyla birlikte, Nilfisk-ALTO servisi ağında yer alan bir servis merkezine iletilmelidir.

Garanti kapsamı dışında kalan onarımların ücreti müşteriden talep edilir. (yani bu kullanim kılavuzunun Arıza Giderme bölümünde belirtilen Nedenler dilayısıyla meydana gelen arızalar).

Nifisk-ALTO предоставляет двухгодичную гарантию на бытовые моечные машины высокого давления. Если Ваши моечная машина высокого давления или принадлежности сдаются в ремонт, должна прилагаться копия чека.

Гарантийный ремонт осуществляется в следующих условиях:

- дефекты связаны с браком или неисправностями материалов или изделия. (данная гарантия не распространяется износ и неправильное использование);
- указания в данном руководстве полностью соблюдались;
- никто, кроме подготовленных Nifisk-ALTO специалистов по техническому обслуживанию, не производил и не пытался произвести ремонт;
- применялись только оригинальные принадлежности;
- изделие не подвергалось неправильной эксплуатации, например, ударам, тряске или заморозке;
- использовалась только вода без каких-либо примесей;
- моечная машина высокого давления не сдавалась в прокат и не использовалась другим образом в коммерческих целях.

Ремонт по данной гарантии включает замену неисправных деталей, за исключением упаковки и расходов на пересылку/доставку. Кроме того, мы соблюдаем торговое законодательство Вашей страны. Машину следует отправить в один из сервисных центров компании Nifisk-ALTO с описанием/подробным изложением неисправности.

За ремонт, на который не распространяется данная гарантия, будет выставлен счет. (То есть неисправности в результате Возможных причин, упомянутых в главе Устранение неисправностей настоящего руководства).

Wap ALTO daje 2 letno garancijo za visokotlačne čistilnike za domačo uporabo. Če vaš visokotlačni čistilnik ali dodatke izročite v popravilo, morate priložiti kopijo računa.

Popravila v garanciji se izvedejo na podlagi naslednjih pogojev:

- da lahko okvare pripišemo napakam ali okvaram v materialih ali izdelavi. (garancija ne pokriva obrabe in raztrganja kot tudi ne napačne uporabe).
- da so se navodila o uporabi v celoti upoštevala.
- da popravil ni izvedel ali poskušal izvesti nihče drug kot usposobljeno servisno osebje Wap ALTO da so bili uporabljeni samo originalni dodatki.
- da produkt ni bil izpostavljen zlorabi kot so udarci, sunki ali zmrzal.
- da je bila uporabljena samo voda brez nečistoč.
- da visokotlačni čistilnik ni bil oddan v najem ali uporabljen komercialno za katerikoli drug namen.

Popravila pod to garancijo vključujejo zamenjavo okvarjenih delov, razen pakiranja in transporta. Poleg tega upošteevamo vaš državni zakon o prodaji.

Stroj je treba izročiti eni izmed servisnih služb organizacije Wap ALTO z opisom/specifikacijo napake.

Za popravila, ki jih garancija ne pokriva bo izdan račun. (npr. slabo delovanje zaradi Vzrokov omenjenih v poglavju Odpravljanje težav priročnika za navodili za uporabo).

Wap ALTO zaručuje domáce používanie vysokotlakových umývačiek po dobu 2 rokov. Ak odovzdáte vysokotlakovú umývačku alebo príslušenstvo do opravy, musíte priložiť kópiu potvrdenia o kúpe.

Záručné opravy sa vykonávajú z nasledujúcich dôvodov:

- ak je chyba dôsledkom nedostatku alebo chyby materiálu alebo vyhotovenia (opotrebovanie alebo neprávne použitie nespádajú pod záruku).
- ak boli dôsledne dodržané pokyny v tejto príručke.
- ak nebola vykonaná oprava alebo pokus o ňu osobou inou než vyškoleným pracovníkom Wap ALTO.
- ak bolo použité len originálne príslušenstvo.
- ak prístroj nebol vystavený zlému zaobchádzaniu, ako napríklad údery, nárazy alebo mrznutie.
- ak bola používaná iba voda bez nečistôt.
- ak vysokotlaková umývačka nebola prenášaná alebo komerčne používaná nejakým iným spôsobom.

Opravy podľa tejto záruky zahŕňajú náhradu chybných častí, ale nezahŕňajú balenie a poštovné. Všetko ostatné sa riadi miestnymi zákonnými predpismi týkajúcimi sa predaja tovaru.

Prístroj treba poslať do jedného zo servisných centier organizácie Wap ALTO s popisom/upresnením chyby.

Opravy, ktoré nie sú kryté záručnými podmienkami, budú faktúrované. (tj. poruchy v dôsledku **Možných príčin** uvedených v oddiele **Riešenia problémov** tejto príručky).

Wap ALTO daje jamstvo od 1 godine za visokotlačne peraae za uporabu u kućanstvu. Ako dajete Vaš visokotlačni peraa ili dodatnu opremu na popravak, morate priložiiti i kopiju rauna.

Popravci u jamstvenom roku vrše se pod slijedećim uvjetima:

- da se kvar može pripisati greškama ili nedostacima u materijalu ili izradi. (jamstvo ne pokriva istrošenost, oštećenje ili nepravilnu uporabu)
- da je korisnik slijedio upute dane u ovom priručniku.
- da nitko osim ovlaštenog Wap ALTO servisnog osoblja nije vršio ili pokušao izvršiti popravke.
- da je bila korištena samo originalna dodatna oprema.
- da proizvod nije bio izložen grubostima poput udara, trešnje ili mraza.
- da je bila korištena samo voda bez nećistoća.
- da visokotlačni peraa nije bio korišten za iznajmljivanje ili komercijalno korišten na bilo koji drugi naćin.

Popravci u jamstvenom roku uključuju zamjenu neispravnih dijelova, isključujući pakiranje i poštarinu/prijevoz. Osim toga, upućujemo Vas na državni zakon o prodaji.

Stroj treba otpremiti u jedan od Wap ALTO servisnih centara s opisom/navodom kvara.

Popravci koje jamstvo ne pokriva biti će naplaćeni. (tj. kvarovi izazvani mogućim uzrocima navedenim u odlomku Otklanjanje poteškoća u priručniku s uputama).

Art. no. 6411048



GB	Extension hose
E	Alargo de manguera
P	Mangueira de extensao
GR	Σωλήνας προέκτασης
PL	Wąż przedłużający
CS	Prodluňovací hadice
H	Hosszabító
TR	Uzatma hortumu
RU	Шланг-удлинитель
SL	Podaljšek cevi
SK	Predĺžovacia hadica
HR	Produžna gijbljiva cijev

Art. no. 6411150



GB	Patio cleaner
E	Patio cleaner
P	Patio cleaner
GR	Patio cleaner
PL	Patio cleaner
CS	Patio cleaner
H	Patio cleaner
TR	Patio cleaner
RU	Patio cleaner
SL	Cistilec teras
SK	Patio cleaner
HR	Patio Cleaner

Art. no. 6410762



EN	Rotating brush
ES	Cepillo rotatorio
PT	Escova rotadora
EL	Βούρτσας με ξύστρες
PL	Szczotka rotacyjna
CS	Rozprašovač pěny
HU	Forgó kefe
TR	Döner fırça
RU	Щетки
SL	Krtače
SK	Keřy
HR	Četka

Art. no. 6410766



EN	Tube cleaner
ES	Tubo limpiador
PT	Limpiador de canos
EL	Αποφρακτικό
PL	Wkładka do czyszczenia rur
CS	Čistič potrubí
HU	Csőtisztító
TR	Boru temizlemesi
RU	Очиститель для труб
SL	Čev za čiščenje odtočnih cevi
SK	Čistič odtokov a rúr
HR	Čistač cijevi i odvoda

Art. no. 106411326



EN	Rim brush
ES	Cepillo de bordes
PT	Escova para jantes
EL	Βούρτσας για ζάντες
PL	Szczotka do obręczy
CS	Kartáč na ráfky
HU	Abronskefe
TR	Jant fırçası
RU	Щетка для дисков колес
SL	Krtača za platišča
SK	Keřa na disky
HR	Četka za naplatke

Art. no. 106411325



EN	Garden brush
ES	Cepillo de jardín
PT	Escova para jardim
EL	Βούρτσας κήπου
PL	Szczotka ogrodowa
CS	Zahradní kartáč
HU	Kerti kefe
TR	Bahçe fırçası
RU	Садовая щетка
SL	Vrtna krtača
SK	Záhradná keřa
HR	Četka za vrt

Nilfisk ALTO

Why Compromise

<http://www.nilfisk-alto.com>

HEAD QUARTER

DENMARK

Nilfisk-Advance Group
Sognevej 25
DK-2605 Brøndby
Tel.: +45 4323 8100
Fax: +45 4343 7700
E-mail: mail@nilfisk-advance.dk

SALES COMPANIES

AUSTRALIA

Nilfisk-ALTO
48 Egerton St.
P.O. Box 6046
Silverwater, N.S.W. 2128
Tel.: +61 2 8748 5966
Fax: +61 2 8748 5960

AUSTRIA

Nilfisk-Advance GmbH
Nilfisk-ALTO
Metzgerstrasse 68
5101 Berghem/Salzburg
Tel.: +43 662 456 400-0
Fax: +43 662 456 400-34
E-mail: info@nilfisk-alto.at
www.nilfisk-alto.at

CANADA

Clarke Canada
Part of the Nilfisk-Advance Group
4080 B Sladeview Crescent, Unit 1
Mississauga, Ontario L5L 5Y5
Tel.: +1 905 569 0266
Fax: +1 905 569 8586

CHINA

Nilfisk-Advance (Shenzhen) Ltd.
Blok 3, Unit 130 1001 Honghua Road
Int. Commercial & Trade Ce nter
Futian Free Trade Zone
518038 Shenzhen
Tel.: +86 755 8359 7937
Fax: +86 755 8359 1063

CZECH REPUBLIC

ALTO Česká Republika s.r.o.
Zateckých 9
14000 Praha 4
Tel.: +420 24 14 08 419
Fax: +420 24 14 08 439
E-mail: wap_p@mbox.vol.cz

DENMARK

Nilfisk-ALTO
Division of Nilfisk-Advance A/S
Industrivej 1
9560 Hadsund
Tel.: +45 7218 2100
Fax: +45 7218 2105
E-mail: salg@nilfisk-alto.dk
E-mail: service@nilfisk-alto.dk
www.nilfisk-alto.dk

Nilfisk-ALTO Food division
Division of Nilfisk-Advance A/S
Blytækkervej 2
9000 Aalborg
Tel.: +45 7218 2100
Fax: +45 7218 2099
E-mail: scanio.technology@nilfisk-alto.dk

FRANCE

Nilfisk-ALTO
ALTO France SAS
Aéroparc 1
19 rue Icare
67960 Entzheim
Tel.: +33 3 88 28 84 00
Fax: +33 3 88 30 05 00
E-mail: info@nilfisk-alto.fr
www.nilfisk-alto.com

GERMANY

Nilfisk-ALTO
Division of Nilfisk-Advance AG
Guido-Oberdorfer-Strasse 10
89287 Bellenberg
Tel.: +49 0180 5 37 37 37
Fax: +49 0180 5 37 37 38
E-mail: info@nilfisk-alto.de
www.nilfisk-alto.de

GREECE

Nilfisk-Advance SA
8, Thoukididou str.
164 52 Argiroupolis
Tel.: +30 210 96 33443
Fax: +30 210 96 52187
E-mail: nilfisk-advance@clean.gr

HOLLAND

Nilfisk-ALTO
Division of Nilfisk-Advance BV
Camerastraat 9
3322 BB Almere
Tel.: +31 36 546 07 60
Fax: +31 36 546 07 61
E-mail: info@nilfisk-alto.nl
www.nilfisk-alto.nl

HONG KONG

Nilfisk-Advances Ltd.
2001 HK Worsted Mills Ind'l Bldg.
31-39 Wo Tong Tsui St.
Kwai Chung
Tel.: +852 2427 5951
Fax: +852 2487 5828

HUNGARY

Nilfisk-Advance Kereskedelmi Kft.
II. Rákóczi Ferenc út 10
2310 Szigetszentmiklos-Lakihegy
Tel.: +36 2447 5550
Fax: +36 2447 5551
E-mail: info@nilfisk-advance.hu
www.nilfisk-advance.hu

ITALY

Nilfisk-ALTO
Divisione di Nilfisk-Advance A/S
Località Novella Terza
26862 Guardamiglio (LO)
E-mail: d.puglia@nilfisk-advance.it

JAPAN

Nilfisk-Advance Inc.
247 Nippa-cho, Kouhoku-ku
Yokohama, 223-0057
Tel.: +8145 548 2571
Fax: +8145 548 2541

MALAYSIA

Nilfisk-Advance Sdn Bhd
Sd 14, Jalan KIP 11
Taman Perindustrian KIP
Sri Damansara
52200 Kuala Lumpur
Tel.: +60 3 603 6275 3120
Fax: +60 3 603 6274 6318

NORWAY

Nilfisk-Advance AS
Bjørnerudveien 24
1266 Oslo
Tel.: +47 22 75 17 70
Fax: +47 22 75 17 71
E-mail: info@nilfisk-alto.no
www.nilfisk-alto.no

POLAND

Nilfisk-Advance Sp. Z.O.O.
05-800 Pruszków
ul. 3-go MAJA 8
Tel.: +48 22 738 37 50
Fax: +48 22 738 37 51
E-mail: info@nilfisk-alto.pl
www.nilfisk-alto.pl

PORTUGAL

Nilfisk-ALTO
Division of Nilfisk-Advance Lda.
Sintra Business Park
Zona Industrial Da Abrunheira
Edificio 1, 1.º A
P2710-089 Sintra
Tel.: +35 808 200 537
Fax: +35 121 911 2679
E-mail: mkt@nilfisk-advance.es

RUSSIA

Nilfisk-Advance LLC
Vyatskaya str. 27, bld. 7
127015 Moscow
Tel.: +7 495 783 96 02
Fax: +7 495 783 96 03
E-mail: info@nilfisk-advance.ru

SINGAPORE

Nilfisk-Advance Pte. Ltd.
Nilfisk-ALTO Division
40 Loyang Drive
Singapore 508961
Tel.: +65 6 759 9100
Fax: +65 6 759 9133
E-mail: sales@nilfisk-advance.com.sg

SPAIN

Nilfisk-ALTO
Division of Nilfisk-Advance S.A.
Torre D'Ara
Paseo del Rengle, 5 Pl. 10
08302 Mataró
Tel.: +34 902 200 201
Fax: +34 93 757 8020
E-mail: mkt@nilfisk-advance.es

SWEDEN

ALTO Sverige AB
Member of Nilfisk-Advance Group
Aminogatan 18, Box 4029
431 04 Mölndal
Tel.: +46 31 706 73 00
Fax: +46 31 706 0@nilfisk-alto.se
www.nilfisk-alto.se

TAIWAN

Nilfisk-Advance Taiwan Branch
No. 5, Wan Fang Road
Taipei
Tel.: +886 227 002 268
Fax: +886 227 840 843

THAILAND

Nilfisk-Advance Co. Ltd.
89 Soi Chokechai-Ruammitr
Viphavadee-Rangsit Road
Layao, Jatuchak, Bangkok 10900
Tel.: +66 2 275 5630
Fax: +66 2 691 4079

UNITED KINGDOM

Nilfisk-ALTO
Division of Nilfisk-Advance Ltd.
Bowerbank Way
Gilwilly Industrial Estate, Penrith
Cumbria CA11 9BQ
Tel.: +44 1 768 86 89 95
Fax: +44 1 768 86 47 13
E-mail: sales@nilfisk-alto.co.uk
www.nilfisk-alto.co.uk

USA

ALTO Cleaning Systems Inc.
Part of the Nilfisk-Advance Group
12249 Nations Ford Rd.
Pineville, North Carolina 28134
Tel.: +1 704 971 1240
Fax: +1 704 971 1241
E-mail: info@nilfisk-advance.us

VIETNAM

Nilfisk-Advance Representative Office
No. 46 Doc Ngu Str.
Ba Dinh Dist.
Hanoi
Tel.: +84 4 761 5642
Fax: +84 4 761 5643
E-mail: nilfisk@vnn.vn