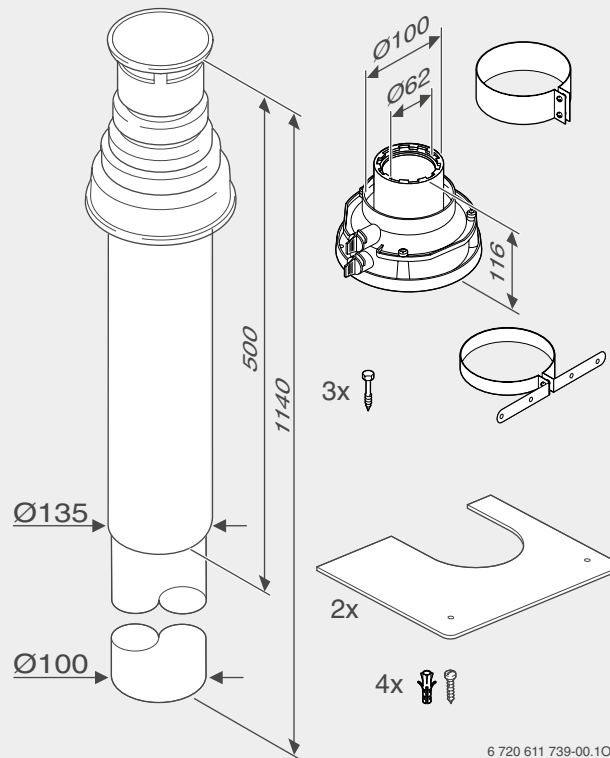




AZB 873/1

Vertical Flue Terminal Assembly Ø 60/100 mm

7 719 002 430



for Gas Condensing Boilers:

R 29 HE conventional
R 40 HE conventional
R 28 HE system
R 25 HE combi
R 30 HE combi
R 30 HE plus combi
R 35 HE plus combi
R 40 HE plus combi

RD 329	25CDi
RD 428	30CDi
RD 532	30CDi conventional
RD 430i	35CDi
RD 532i	40CDi
RD 537i	40CDi conventional
RD 542i	

Contents

Safety instructions	2
Symbols	2
1 Use	3
1.1 General	3
1.2 Gas condensing boilers	3
1.3 Combination with flue duct kits	3
1.4 Standard specifications	3
2 Fitting space requirements	4
2.1 R..HE., RD..	4
2.2 ..CDi	5
3 Examples of installation of vertical flue duct with roof exit	6
3.1 Straight flue ducting without elbows	6
3.2 Straight flue ducting with two 45°-elbows	6
3.3 Straight flue ducting with two 90°-elbows	7
3.4 Flue ducting with more than two elbows	8
4 Mounting	9
4.1 Notes on fitting	9
4.2 Roof-exit clearances	9
4.3 Fitting the flue ducting	10

Safety instructions

Proper functioning of this product is only guaranteed if these installation instructions are correctly followed. Subject to alteration. Installation must be carried out by an approved installer. Installation of the boiler must be carried out in accordance with the appropriate installation instructions.

If you smell fumes from the appliance

- ▶ Switch off appliance.
- ▶ Open windows and doors.
- ▶ Inform your heating engineer.

Fitting and modifications

- ▶ Fitting of the appliance or any controls to the appliance may only be carried out by a competent engineer in accordance with the Gas Safety (Installation and Use) Regulations 1998.
- ▶ Flue systems must not be modified in any ways other than as described in the fitting instructions.

Symbols



Notes are identified by the symbol shown on the left. They are bordered by horizontal lines above and below the text.

1 Use

1.1 General

The installation of a gas condensing boiler must be in accordance with the relevant British Standard, the relevant Building Regulations and any local rules.

The surface temperature of the fresh air duct is below 85°C. Therefore no minimum distances to combustible building materials are necessary. The regulations can deviate, however, and might prescribe minimum distances to combustible materials.

Flue ducting to C₃₃:

The flue gas accessory is part of CE approval when discharging flue gas according to C₃₃. For this reason, only the original flue gas accessories may be used.

All illustration dimensions are shown in mm unless stated otherwise.

1.2 Gas condensing boilers

The AZB 873/1 can be used in conjunction with the following gas condensing boilers:

Gas condensing boilers	Prod.-ID-No.
R 29 HE conventional	CE 0085 BL 0507
R 40 HE conventional	
R 28 HE system	
R 25 HE combi	
R 30 HE combi	
R 30 HE plus combi	
R 35 HE plus combi	
R 40 HE plus combi	
RD 329	
RD 428	
RD 532	
RD 430i	
RD 532i	
RD 537i	
RD 542i	
25CDi	
30CDi	
30CDi conventional	
35CDi	
40CDi	
40CDi conventional	

Table 1

1.3 Combination with flue duct kits

The AZB 873/1 can be combined with the following flue duct kits:

Flue duct kits
AZB 874, elbow 45°
AZB 875, elbow 90°
AZB 876, extension 1000 mm

Table 2

1.4 Standard specifications

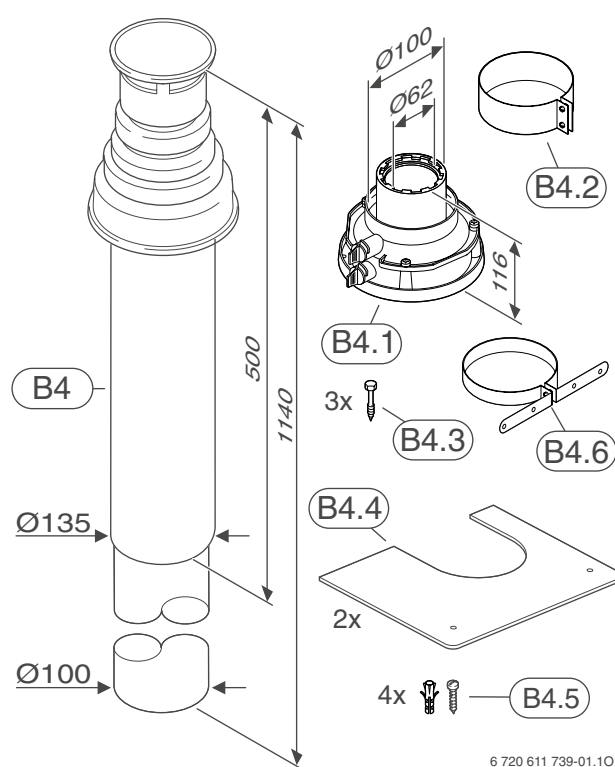
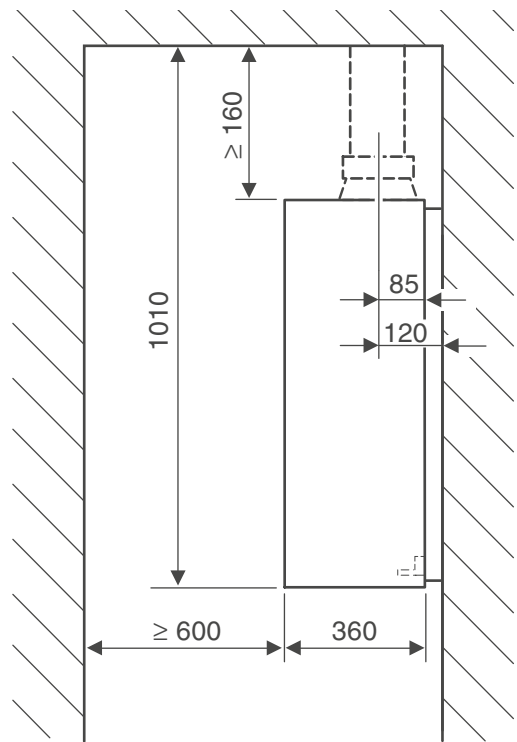
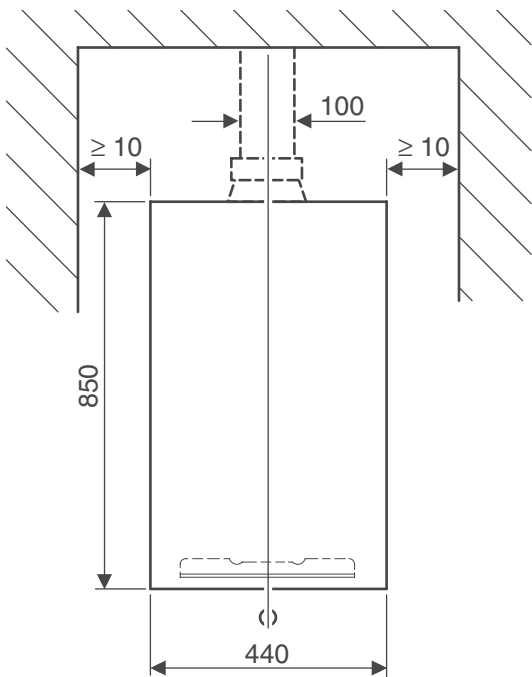


Fig. 1

- B4** Vertical Flue Terminal Assembly AZB 873/1
- B4.1** Adaptor Ø 60/100 mm
- B4.2** Pipe bracket
- B4.3** Screws
- B4.4** Fire stop plate
- B4.5** Screws and wall plugs
- B4.6** Clamp

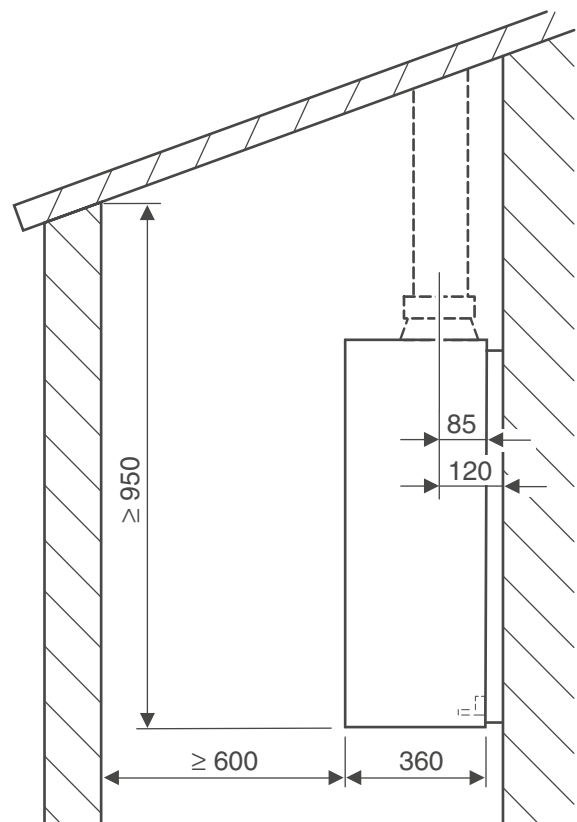
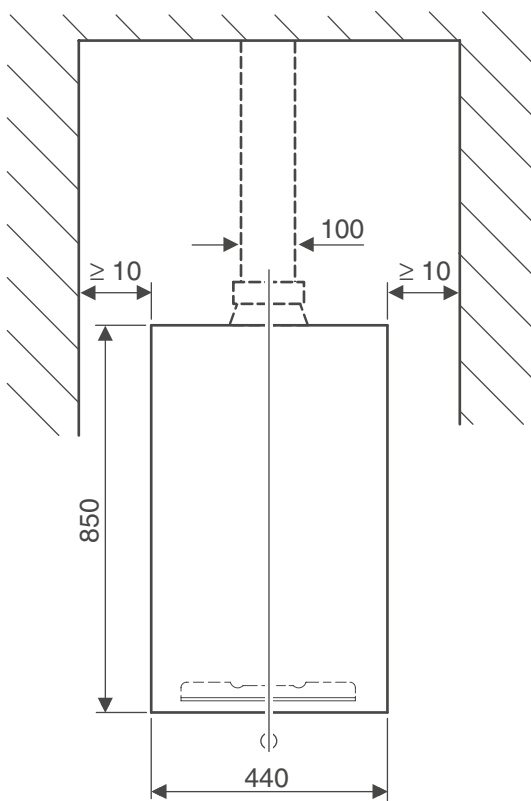
2 Fitting space requirements

2.1 R..HE., RD..



6 720 611 438-02.30

Fig. 2 Flat roof



6 720 611 438-03.30

Fig. 3 Inclined roof

2.2 ..CDi

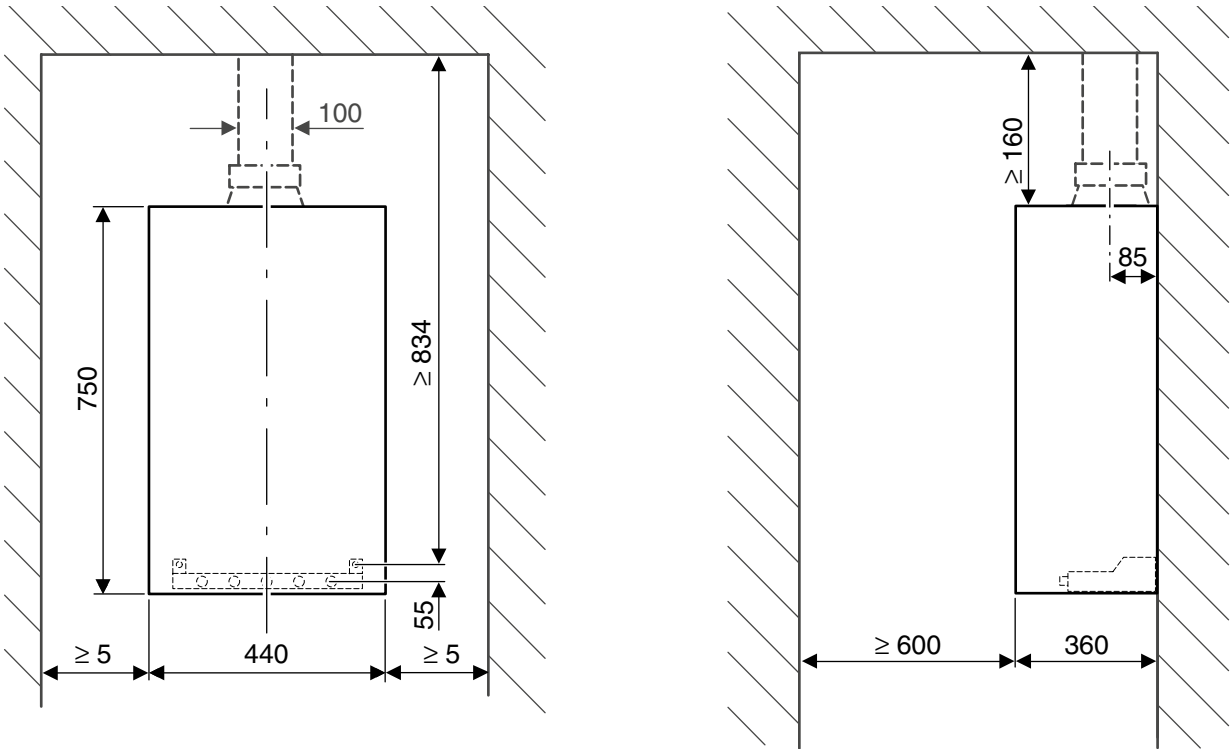


Fig. 4 Flat roof

6 720 611 739 15.10

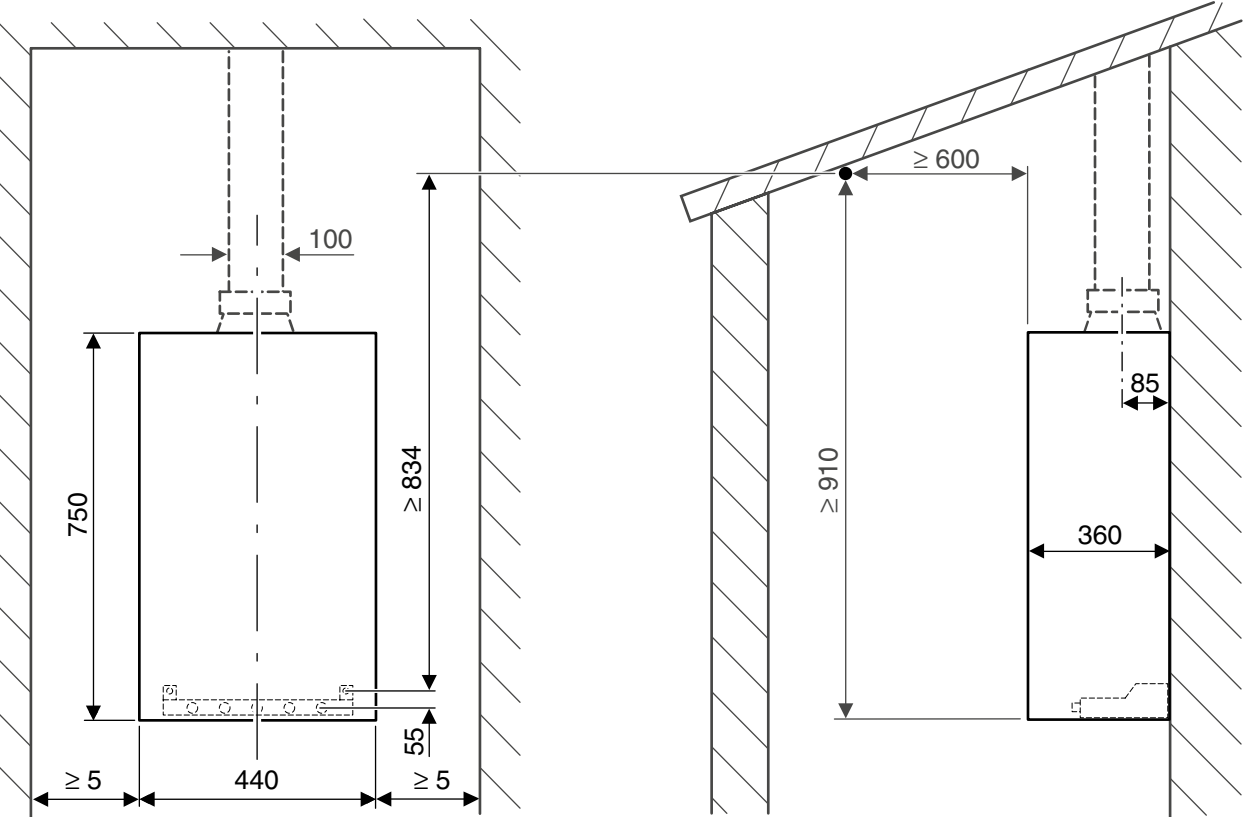


Fig. 5 Inclined roof

6 720 611 739-16.10

3 Examples of installation of vertical flue duct with roof exit

3.1 Straight flue ducting without elbows

	L_{max}
R 29 HE conventional R 40 HE conventional R 28 HE system R 25 HE combi R 30 HE combi RD 329 RD 428 RD 532 RD 430i RD 532i R 30 HE plus combi R 35 HE plus combi R 40 HE plus combi RD 537i RD 542i	6.4 m
25CDi	11.5 m
30CDi 30CDi conventional	9.4 m
35CDi	8.0 m
40CDi 40CDi conventional	4.9 m

Table 3

3.2 Straight flue ducting with two 45°-elbows

	L_{max}
R 29 HE conventional R 40 HE conventional R 28 HE system R 25 HE combi R 30 HE combi RD 329 RD 428 RD 532 RD 430i RD 532i R 30 HE plus combi R 35 HE plus combi R 40 HE plus combi RD 537i RD 542i	4.4 m
25CDi	9.5 m
30CDi 30CDi conventional	7.4 m
35CDi	6.0 m
40CDi 40CDi conventional	2.9 m

Table 4

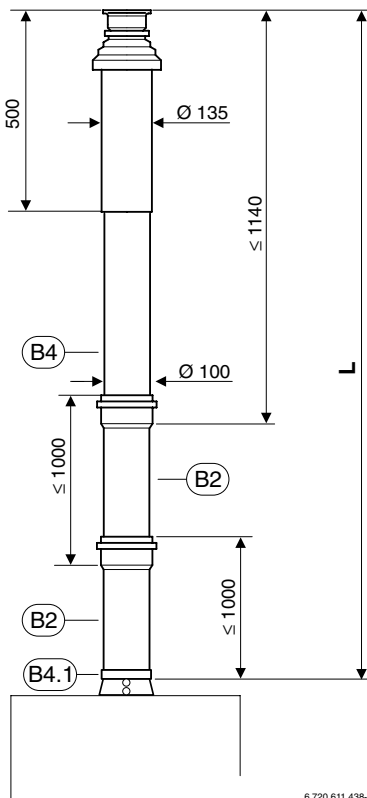


Fig. 6

Key to Fig. 6 and Fig. 7:

B2 AZB 876

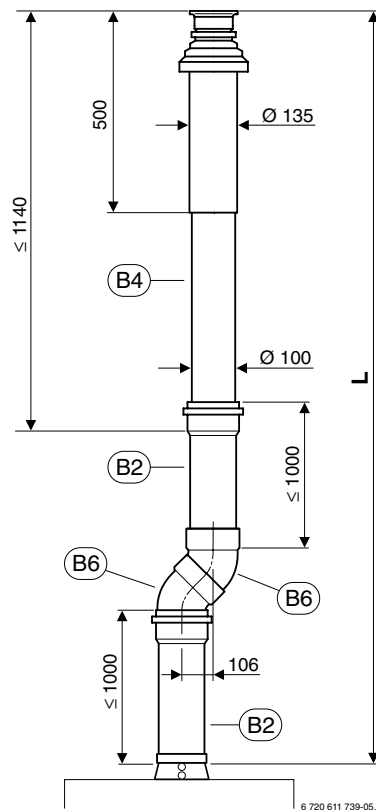


Fig. 7

B4 AZB 873/1

B6 AZB 874

3.3 Straight flue ducting with two 90°-elbows

	L_{max}
R 29 HE conventional R 40 HE conventional R 28 HE system R 25 HE combi R 30 HE combi RD 329 RD 428 RD 532 RD 430i RD 532i R 30 HE plus combi R 35 HE plus combi R 40 HE plus combi RD 537i RD 542i	2.4 m
25CDi	7.5 m
30CDi 30CDi conventional	5.4 m
35CDi	4.0 m
40CDi 40CDi conventional	0.9 m

Table 5

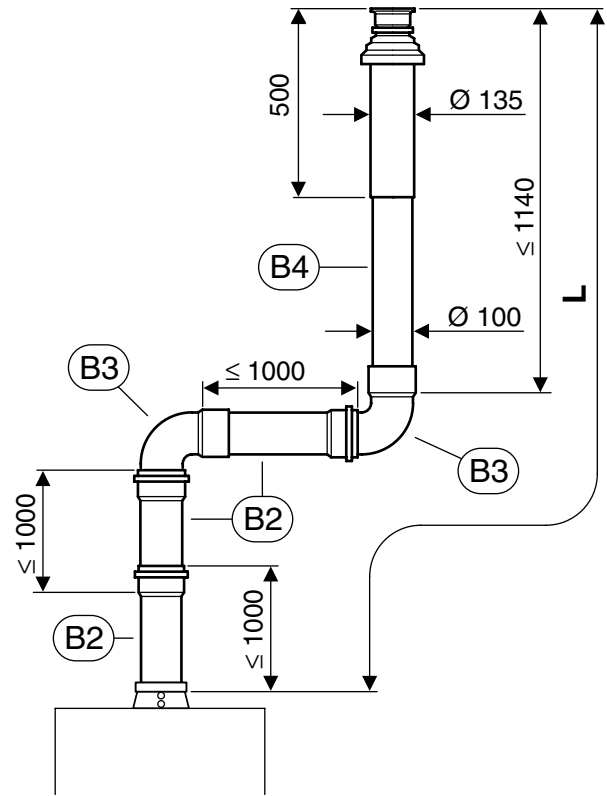


Fig. 9

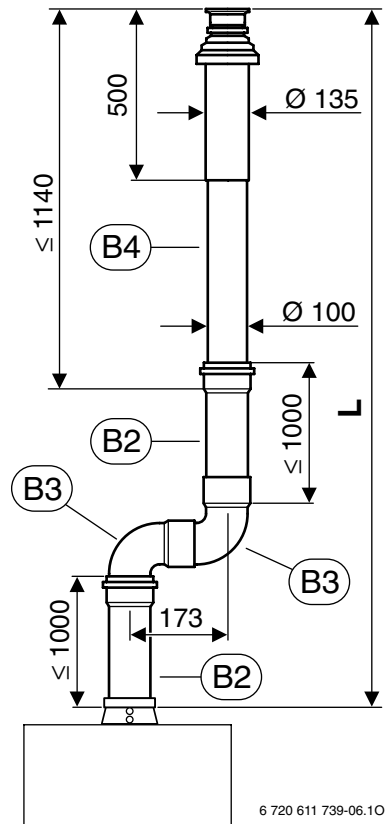


Fig. 8

Key to Fig. 8, 9 and 10:

- B2 AZB 876
- B3 AZB 875
- B4 AZB 873/1

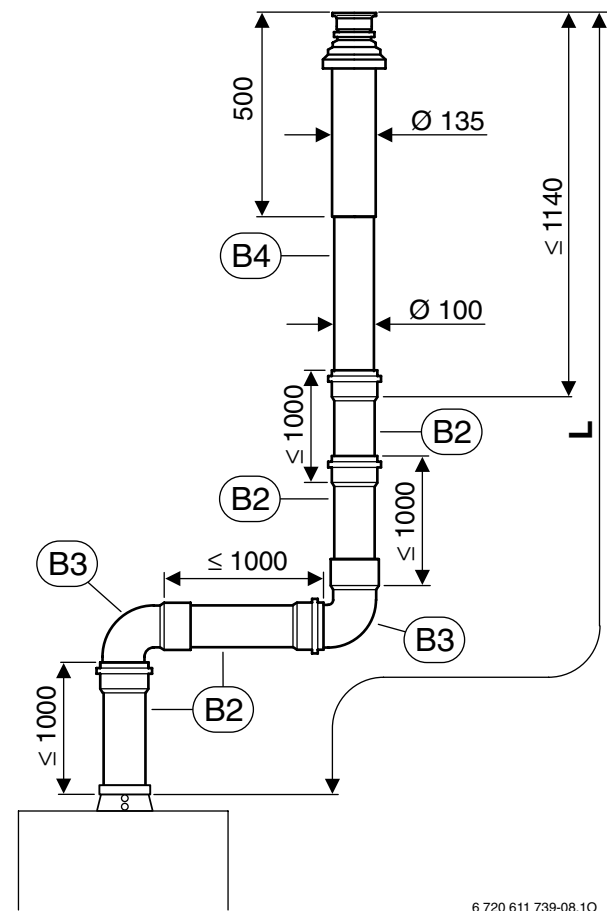


Fig. 10

3.4 Flue ducting with more than two elbows

The equivalent pipe length, L_{equiv} , is calculated from the sum of the straight lengths of the horizontal and vertical flue ducting (L_{horiz} , L_{vert}) and the equivalent lengths of the elbows. The equivalent length of every elbow fitted must be included.

The overall equivalent pipe length must be less than the maximum equivalent pipe length: $L_{equiv} \leq L_{equiv,max}$

For vertical flue ducting to C₃₃ the following equivalent lengths apply:

Vertical flue ducting to C ₃₃	$L_{equiv,max}$ [m]	Equivalent length of additional elbows	
		90° [m]	15-45° [m]
Boiler			
R 29 HE conventional R 40 HE conventional R 28 HE system R 25 HE combi R 30 HE combi RD 329 RD 428 RD 532 RD 430i RD 532i R 30 HE plus combi R 35 HE plus combi R 40 HE plus combi RD 537i RD 542i	6.4	2	1
25CDi	11.5		
30CDi 30CDi conventional	9.4		
35CDi	8.0		
40CDi 40CDi conventional	4.9		

Table 6 Pipe lengths for C₃₃

$L_{equiv,max}$ maximum equivalent overall pipe length

Example: RD430i

For a vertical flue system with a vertical length of 4 m and two 45°- elbows, the equivalent pipe length is calculated as follows:

	Length/Number		Sectional equivalent length		Total
Straight length L_{vert}	4 m	x	1	=	4 m
Straight length L_{horiz}	0 m	x	1	=	0 m
Elbow 90°	0	x	2 m	=	0 m
Elbow 45°	2	x	1 m	=	2 m
Equivalent pipe length L_{equiv}					6 m
Maximum equivalent overall pipe length $L_{equiv,max}$					6.4 m
$L_{equiv} \leq L_{equiv,max}$					o.k.

Table 7

At 6 m, the equivalent pipe length is shorter than the maximum equivalent overall length of 6.4 m. This flue system is therefore acceptable.

Example: R 40 HE plus combi

For a vertical flue system with a vertical length of 2 m, a horizontal length of 2 m and two 90°-elbows, the equivalent pipe length is calculated as follows:

	Length/Number		Sectional equivalent length		Total
Straight length L_{vert}	2 m	x	1	=	2 m
Straight length L_{horiz}	0.4 m	x	1	=	0.4 m
Elbow 90°	2	x	2 m	=	4 m
Elbow 45°	0	x	1 m	=	0 m
Equivalent pipe length L_{equiv}					6.4 m
Maximum equivalent overall pipe length $L_{equiv,max}$					6.4 m
$L_{equiv} \leq L_{equiv,max}$					o.k.

Table 8

At 6.4 m, the equivalent pipe length is equal to the maximum equivalent overall length of 6.4 m. This flue system is therefore acceptable.

4 Mounting

4.1 Notes on fitting

- The vertical flue duct (AZB 873/1) can be extended at any point between the adaptor (B4.1) and the flue terminal assembly (B4) using the flue duct kits AZB 874, AZB 875 or AZB 876.
- For details of the maximum permissible flue pipe length, refer to the installation examples starting on page 6.
- Horizontal flue sections should be fitted with an incline of 3° (= 5,2 %, 5,2 cm per meter) in the direction of flow of the flue gases.
- In damp rooms, the air pipe should be insulated.

4.2 Roof-exit clearances

4.2.1 Flat roof

	Combustible building material	Non-combustible building material
X	≥ 1500 mm	≥ 500 mm

Table 9

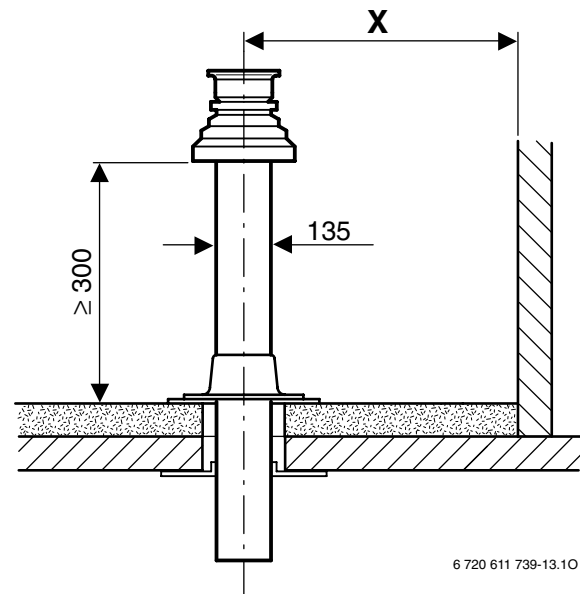


Fig. 11

4.2.2 Inclined roof

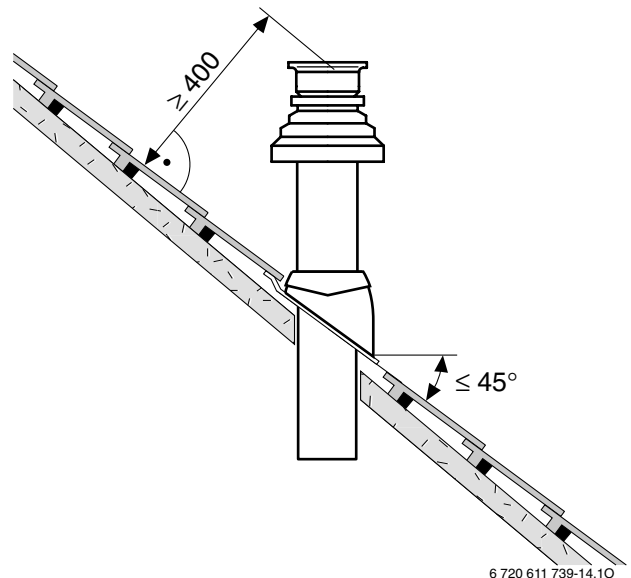


Fig. 12

4.3 Fitting the flue ducting

4.3.1 Adaptor

- ▶ Grease the flue-pipe seal of the adaptor (B4.1) with solvent-free grease (e.g. Vaseline).
- ▶ Unscrew the screws around the flue connection on the air box.

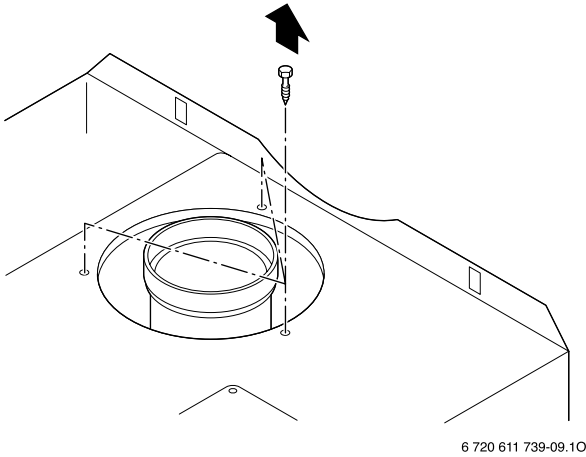


Fig. 13

- ▶ On gas condensing boilers, align adaptor (B4.1) so that the flue testing points are facing forwards.
- ▶ Fix adaptor (B4.1) in place using screws (B4.3) of AZB 873/1.

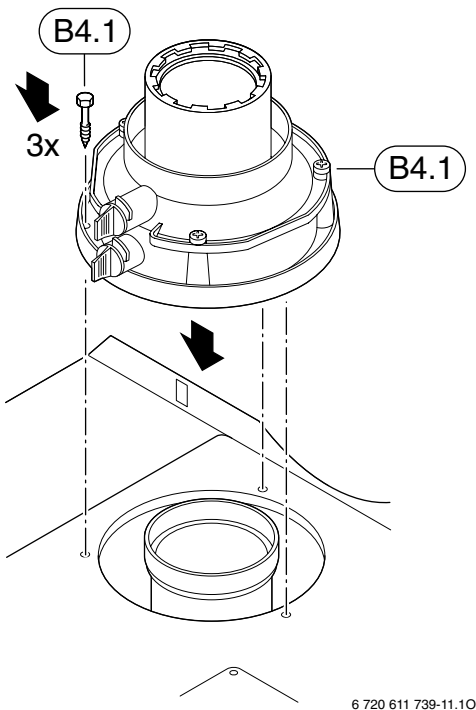


Fig. 14

B4 AZB 873/1

4.3.2 Pipe bracket

- ▶ Connect rest of flue ducting (AZB 873/1, AZB 874, AZB 875, AZB 876) to adaptor (B4.1).
- ▶ Place pipe bracket (B4.2) in position and fix with two screws.

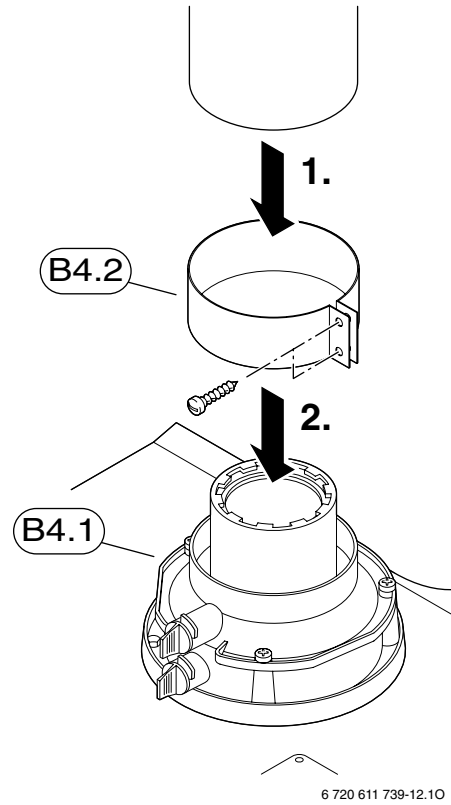
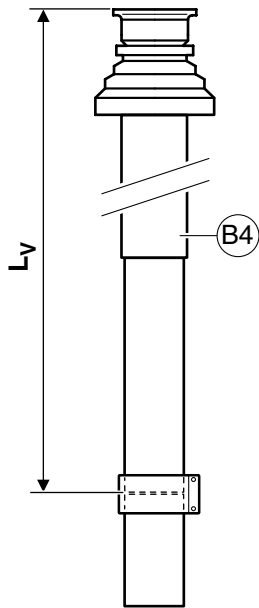


Fig. 15

B4 AZB 873/1

4.3.3 Vertical Flue Terminal Assembly

- ▶ Determine the length L_V of the air pipe.

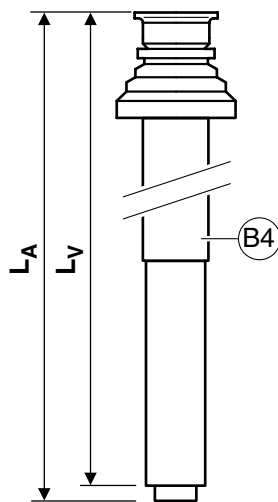


6 720 611 438-13.10

Fig. 16

B4 AZB 873/1

- ▶ Cut off the air pipe at a right angle, deburr the cut edges and clean.
- ▶ Determine the length $L_A = L_V + 15$ mm of the flue pipe.



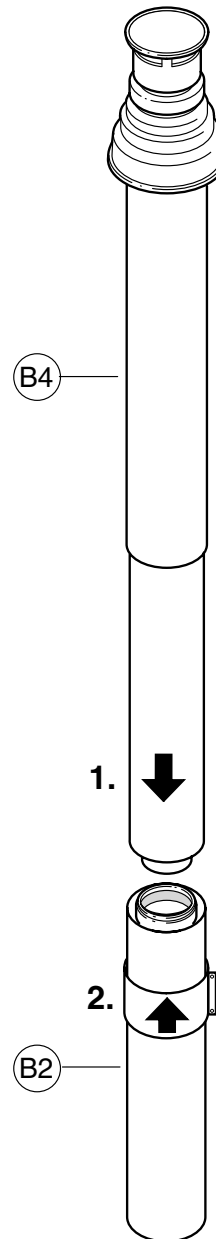
6 720 610 703-10.10

Fig. 17

B4 AZB 873/1

- ▶ Cut off the flue pipe at a right angle, deburr the cut edges and clean.
- ▶ Lightly grease the seals on the sleeves with a solvent-free grease (e.g. Vaseline).

- ▶ Fit pipes together by twisting and pushing home as far as possible.
- ▶ Fix air pipe at joint with collar.



6 720 611 438-14.10

Fig. 18

B2 AZB 876
B4 AZB 873/1



Worcester Heat Systems Ltd.
Cotswold Way
Warndon
Worcester WR4 9SW
Great Britain

www.worcester-bosch.co.uk