

Flue Accessories (suitable for use on HE Boilers)

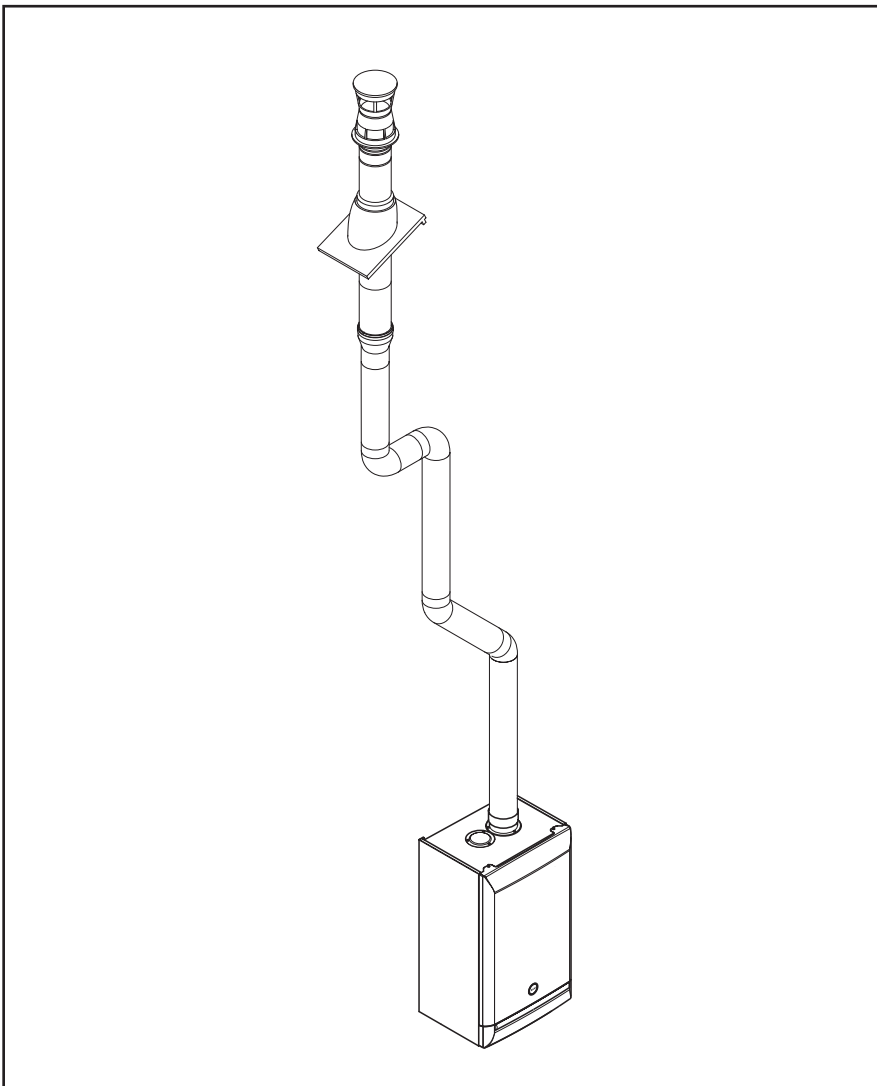
Ø 60/100 Flue Systems

Ø 70/110 Flue Systems

Ø 80/125 Flue Systems

Ø 80/80 Twin Flue Systems

**READ THESE INSTRUCTIONS IN CONJUNCTION WITH THE BOILER
INSTALLATION INSTRUCTIONS BEFORE FITTING THE FLUE**



Please leave these instructions with the
Installation & Servicing Instructions.

Flue Accessory Group A is suitable only for

Baxi Duo-tec Combi HE
 Baxi Megafllo System HE
 Baxi Platinum Combi HE
 Baxi Platinum System HE
 Baxi Combi HE
 Potterton Promax Combi HE
 Potterton Promax System HE
 Potterton Gold Combi HE
 Potterton Promax HE Store
 Potterton Performa Combi HE
 Potterton Performa System HE
 Potterton Suprima HE
 Main HE
 Main Combi HE
 Main System HE

Flue Accessory Group B is suitable only for

Baxi Solo HE
 Baxi Combi HE Plus
 Baxi Platinum HE
 Potterton Promax HE Plus
 Potterton Promax FSB HE

Flue Accessory Group C is suitable only for

Baxi Combi
 Potterton Performa
 Main Combi

Flue Accessory Group D is suitable only for

Potterton Kingfisher
 Potterton Suprima
 Main Multipoint FF

Flue Accessory Group E is suitable only for

Potterton Powermax HE

Flue Accessory Group F is suitable only for

Baxi Solo 3 PFL

Flue Accessory Group G is suitable only for

Baxi Duo-tec Combi HE
 Baxi Megafllo System HE
 Baxi Platinum Combi HE
 Baxi Platinum System HE
 Potterton Promax Combi HE
 Potterton Promax System HE
 Potterton Gold Combi HE
 Potterton Promax HE Store

Flue Accessory Group J is suitable only for

Main Multipoint BF

Flue Accessory Group K is suitable only for

Baxi Duo-tec Combi HE
 Baxi Megafllo System HE
 Baxi Platinum Combi HE
 Baxi Platinum System HE
 Baxi Combi HE
 Potterton Promax Combi HE
 Potterton Promax System HE
 Potterton Gold Combi HE
 Potterton Promax HE Store
 Potterton Performa Combi HE
 Potterton Performa System HE
 Potterton Suprima HE
 Main HE
 Main Combi HE
 Main Combi (SE)
 Main System HE
 Main System HE

Flue Accessory Group L is suitable only for

Baxi Solo HE
 Baxi Combi HE Plus
 Baxi Platinum HE
 Potterton Promax HE Plus
 Potterton Promax FSB HE

Flue Accessory Group N is suitable only for

Baxi Duo-tec Combi HE
 Baxi Megafllo System HE
 Baxi Platinum Combi HE
 Baxi Platinum System HE
 Baxi Combi HE
 Potterton Promax Combi HE
 Potterton Promax System HE
 Potterton Gold Combi HE
 Potterton Promax HE Store
 Potterton Performa Combi HE
 Potterton Performa System HE
 Potterton Suprima HE
 Main HE
 Main Combi HE
 Main System HE

Flue Accessory Group P is suitable only for

Baxi Solo HE
 Baxi Combi HE Plus
 Baxi Combi
 Baxi Platinum HE
 Baxi Solo 3 PFL
 Potterton Performa
 Potterton Promax HE Plus
 Potterton Promax FSB HE
 Main Combi

Flue Accessory Group Q is suitable only for

Potterton Powermax HE

Flue Accessory Group R is suitable only for

Potterton Suprima

Appliances	Flue Groups			
	Concentric		Plume	Twin
	100/110	125		
Baxi Duo-tec Combi HE	A	G	K	N
Baxi Megafllo System HE	A	G	K	N
Baxi Solo HE	B	-	L	P
Baxi Platinum Combi	A	G	K	N
Baxi Combi HE Plus	B	-	L	P
Baxi Combi HE	A	-	K	N
Baxi Combi (SE)	C	-	-	P
Baxi Platinum HE	B	-	L	P
Baxi Solo 3 PFL	F	-	-	P
Baxi Platinum System HE	A	G	K	N
Potterton Gold Combi HE	A	G	K	N
Potterton Promax Combi HE	A	G	K	N
Potterton Performa HE (Combi)	A	-	K	N
Potterton Performa (SE Combi)	C	-	-	P
Potterton Powermax HE	E	-	-	Q
Potterton Promax HE Store	A	G	K	N
Potterton Promax HE Plus	B	-	L	P
Potterton Suprima HE	A	-	K	N
Potterton Suprima (SE)	D	-	-	R
Potterton Promax FSB HE	B	-	L	P
Potterton Kingfisher (SE)	D	-	-	-
Potterton Promax System HE Plus	A	G	K	N
Potterton Performa System HE	A	-	K	N
Main HE	A	-	K	N
Main Combi HE	A	-	K	N
Main Combi (SE)	C	-	-	P
Main System HE	A	-	K	N
Main Multipoint FF (Waterheater)	D	-	-	-
	Balanced Flue System			
Main Multipoint BF (Waterheater)	J		-	-

GENERAL NOTE

Flue systems must be constructed using only components approved for use with the appliance and installed in accordance with BS 5440 Part 1 and any manufacturers instructions.

In order to meet the requirements of the Gas Safety (Installation & Use) Regulations, provision should be made such that all flue joints and supports can be inspected.

The flue system should have a continuous fall back to the boiler (1.5° to 3°) and supported every metre using suitable support brackets.

Consideration must be given to protect exposed parts of the outlet duct where accidental touch may occur.

All fittings should be fully engaged. The approximate engagement is 40mm.

Pipe extensions can be cut to length if necessary. The cut end should be de-burred to prevent damage to seals when assembling to a fitting.

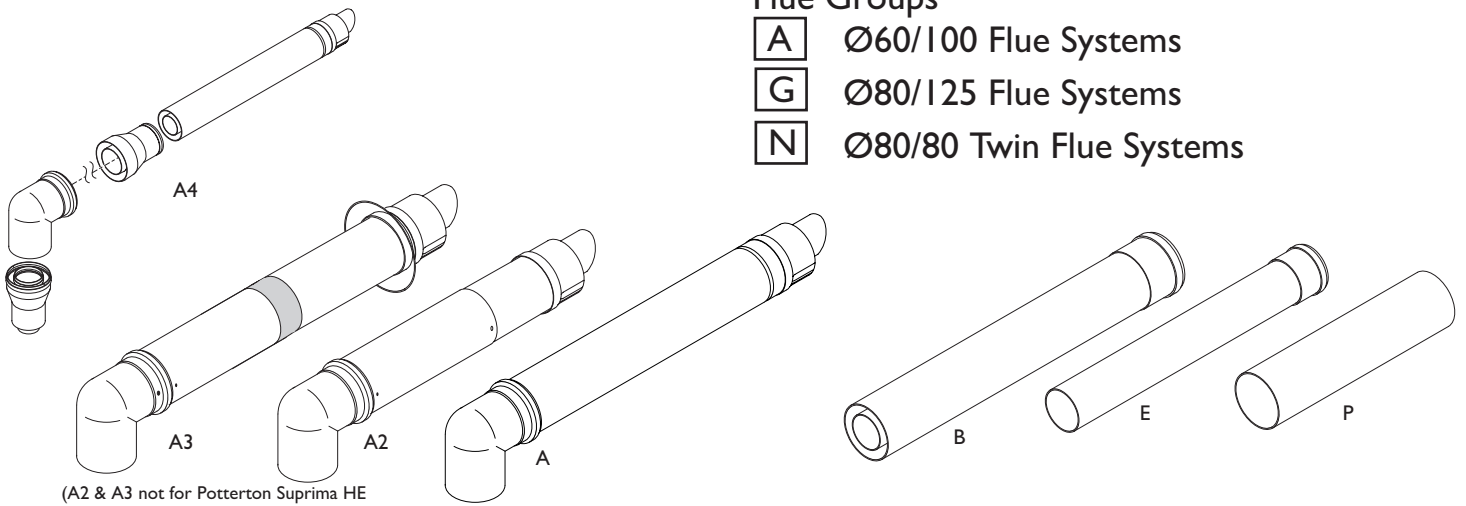
The **MAXIMUM** total equivalent length is given in the boiler Installation & Servicing Instructions.

IMPORTANT: If the flue system is to be fitted prior to the boiler, temporary precautions must be taken to prevent rain entry into the room of installation. Any precautionary measures must be removed prior to fitting the boiler.

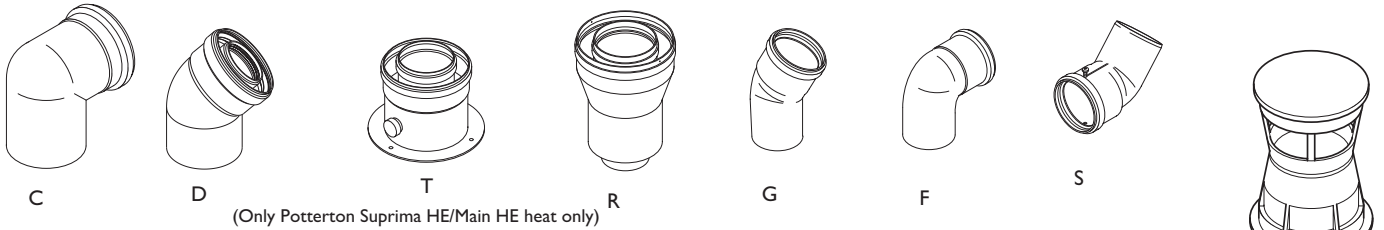
FLUE ACCESSORIES

For Use With Boilers Compatible with Flue Groups

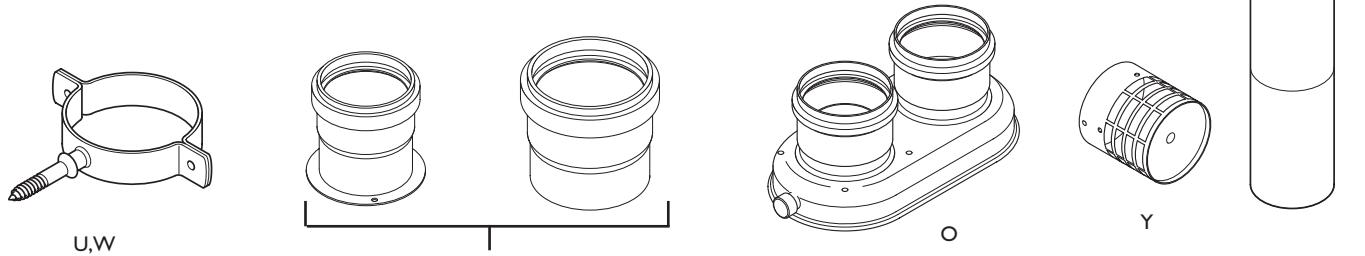
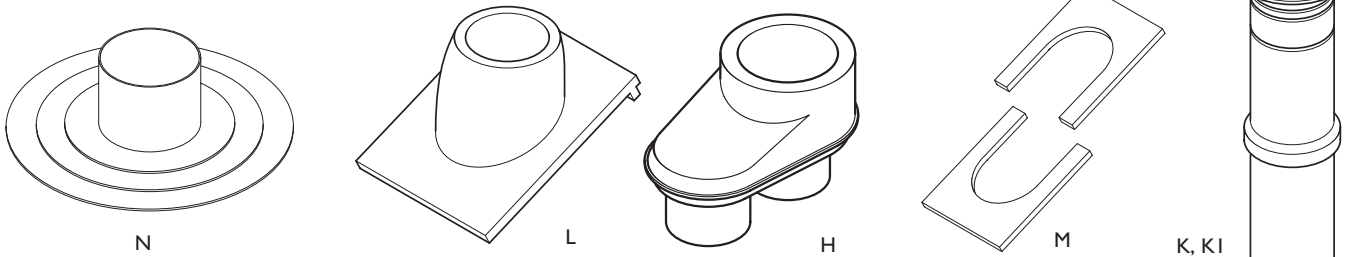
- A** Ø60/100 Flue Systems
- G** Ø80/125 Flue Systems
- N** Ø80/80 Twin Flue Systems



(A2 & A3 not for Potterton Suprima HE /Main HE heat only/Promax HE Store)



(Only Potterton Suprima HE/Main HE heat only)



(Only Potterton Suprima HE/Main HE heat only)

Key	Accessory	Size	Code No
FLUE GROUP A			
Concentric Flue System 100mm diameter			
A3	Telescopic Internal Flue Kit	315-500mm	5119654
A2	Telescopic Flue (incl elbow)	315-500mm	5118069
A	Horizontal Flue Terminal (incl elbow)		5118489
B	Flue Extension	1000mm	5111074
C	Flue Bend	93°	5111075
D	Flue Bend	135°	5111076
D	Flue Bend (pair)	135°	5111085
U	Pipe Support (painted)	100mmØ	5111080
R	Vertical Flue Adaptor (use with 5111078)		5111070
T	Vertical Flue Boiler Adaptor (Only Potterton Suprima HE/Main HE heat only)		5111065
P	Wall Liner		5111067
S	Flue Terminal Deflector		5111068
FLUE GROUP G			
Flue System 80/125mm diameter			
A4	Horizontal Flue Kit		5118580
B	Straight Extension Kit	1000mm	5118584
D	Bend (pair)	135°	5118597
C	Bend	91.5°	5118588
U	Pipe Support	125mmØ	5118610

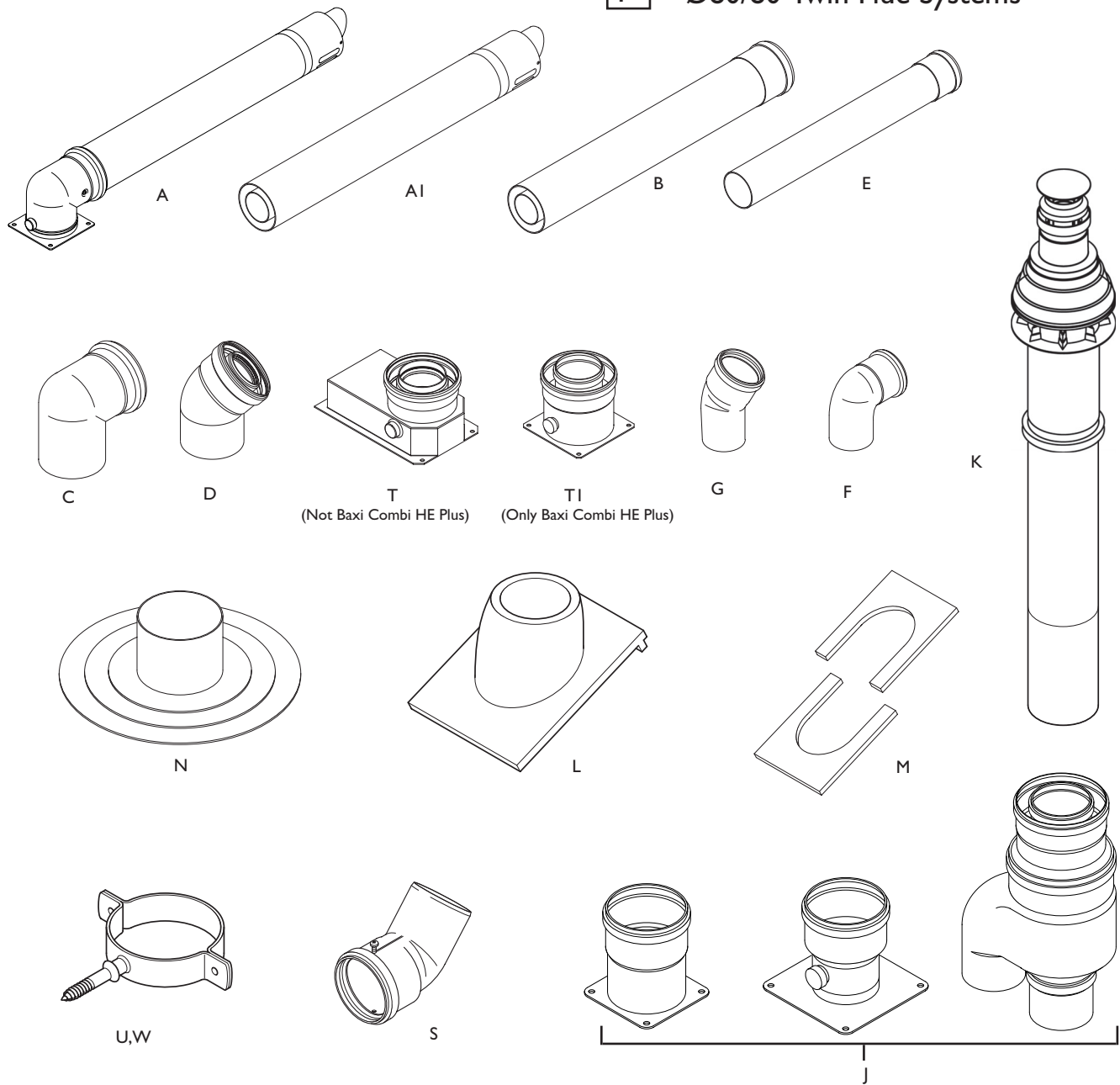
Key	Accessory	Size	Code No
FLUE GROUP N			
Twin Flue System 80mm diameter			
E	Flue Extension (pair)	1000mm	5111087
F	Flue Bend (pair)	90°	5111072
G	Flue Bend (2 pair)	135°	5111086
J	Vertical Flue Boiler Adaptor Kit (Not Potterton Suprima HE/Main HE heat only)		5111079
O	Vertical Flue Boiler Adaptor Kit (Only Potterton Suprima HE/Main HE heat only)		5111071
H	Vertical Flue Adaptor		5111084
Y	Flue Horizontal Terminal Kit (Not Band B appliances)		5120172
W	Pipe Support (pair)	80mmØ	5111081
FLUE GROUP A, N, G			
Vertical Flue Kits			
K	Vertical Flue Terminal (use with 5111070)		5111078
KI	Vertical Flue Terminal (Not Potterton Suprima HE/Main HE heat only)		5118576
L	Pitch Roof Flashing	25°/45°	246141
	Pitch Roof Flashing	35°/55°	246142
M	Roof Cover Plate		246143
N	Flat Roof Flashing		246144

FLUE ACCESSORIES

For Use With Boilers Compatible with Flue Groups

B Ø70/110 Flue Systems

P Ø80/80 Twin Flue Systems

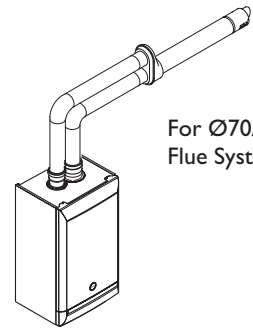
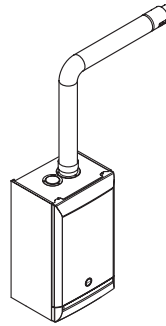
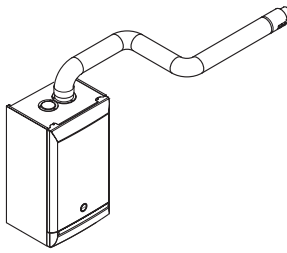
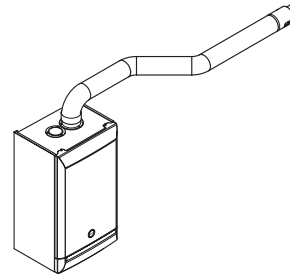
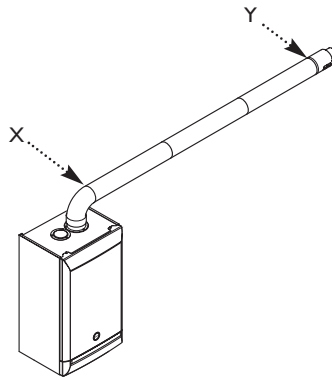


Key	Accessory	Size	Code No
FLUE GROUP B			
Concentric Flue System 110mm diameter			
AI	Horizontal Flue Terminal	850mm	243013BAX
A	Horizontal Flue Terminal (incl elbow)		236921
B	Flue Extension	1000mm	241695
		500mm	241694
		250mm	241692
C	Flue Bend	93°	241687
D	Flue Bend (pair)	135°	241689
U	Pipe Support	110mm	243014BAX
T	Vertical Flue Adaptor Boiler (Not Baxi Combi HE Plus)		5106888
TI	Vertical Flue Adaptor Boiler (Baxi Combi HE Plus)		242886
S	Flue Terminal Deflector		248167

Key	Accessory	Size	Code No
FLUE GROUP P			
Twin Flue System 80mm diameter			
E	Flue Extension	1000mm	246137
		500mm	246136
		250mm	246135
F	Flue Bend (pair)	90°	5121560
G	Flue Bend (2 pairs)	135°	5121561
J	Vertical Flue Boiler Adaptor Kit		242757
W	Pipe Support (pair)	80mm	5111081
FLUE GROUP B, P			
Vertical Flue Kits			
K	Vertical Flue Terminal		242802
L	Pitched Roof Flashing	25°/50°	243015
M	Roof Cover Plate		243131
N	Flat Roof Flashing		243016BAX

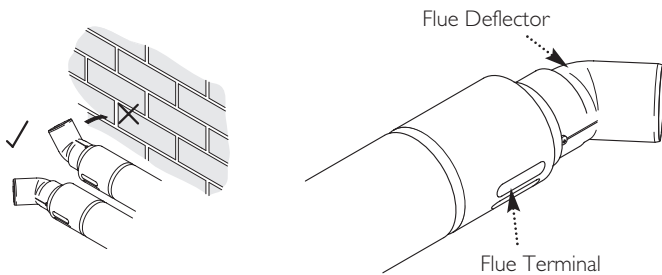
FLUE OPTIONS

Horizontal Flue System Examples



For Ø70/110 Flue Systems

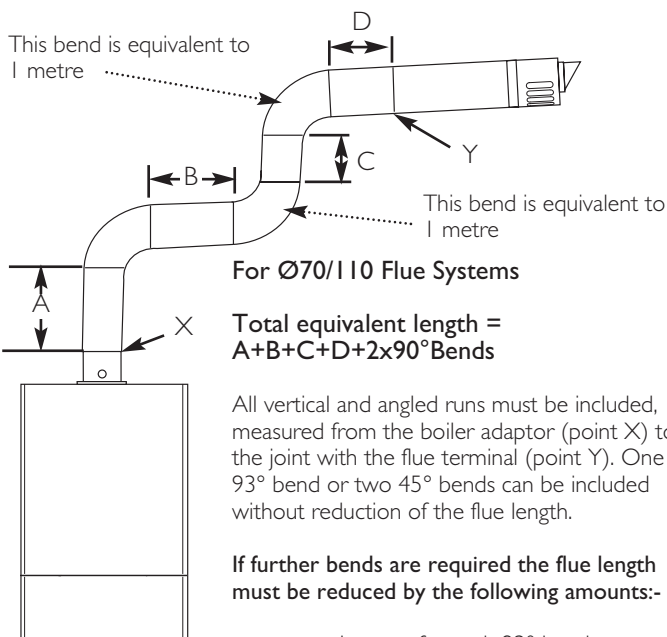
DO NOT DIRECT THE FLUE DEFLECTOR TOWARDS A WALL.



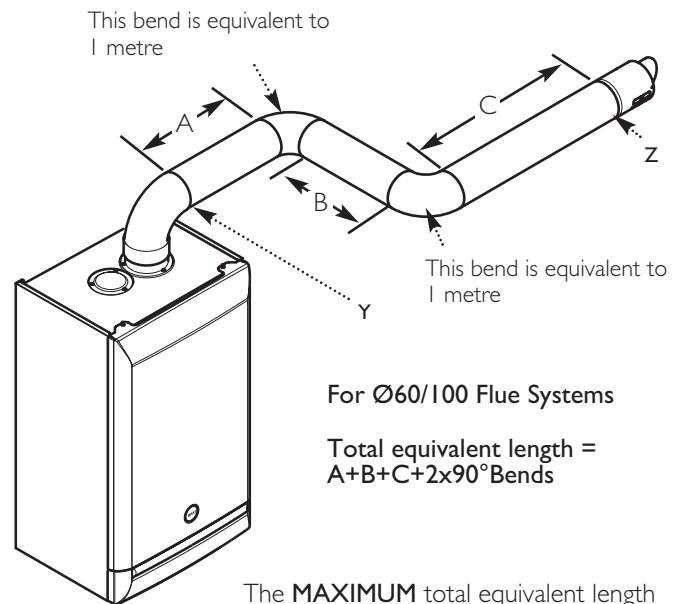
1. If required, push the flue deflector over the terminal end and rotate to the optimum angle for deflecting plume. Secure the deflector to the terminal with screws provided.

NOTE: A terminal guard is still required.

NOTE: Horizontal flue pipes should always be installed with a 1.5° to 3° fall from the terminal to allow condensate to run back to the boiler.



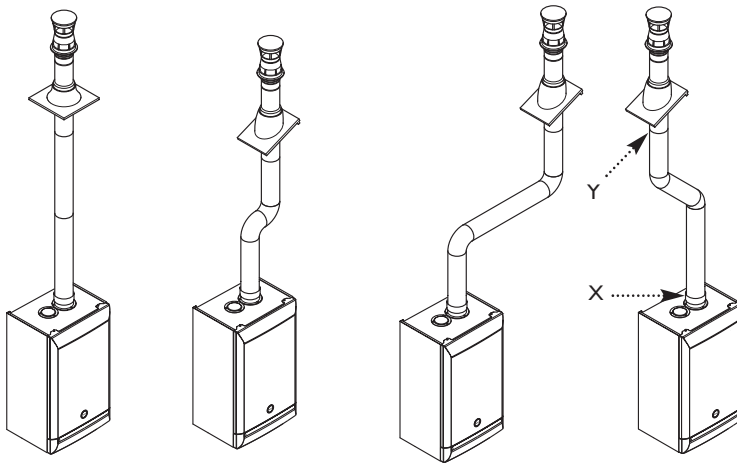
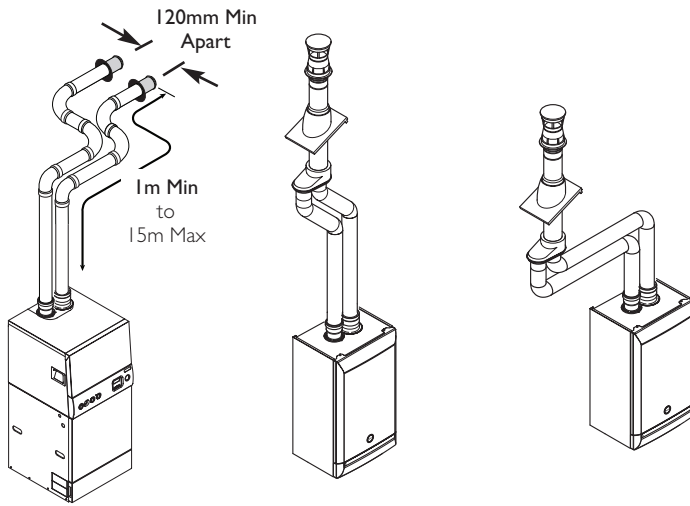
1 metre for each 93° bend
0.5 metre for each 45° bend



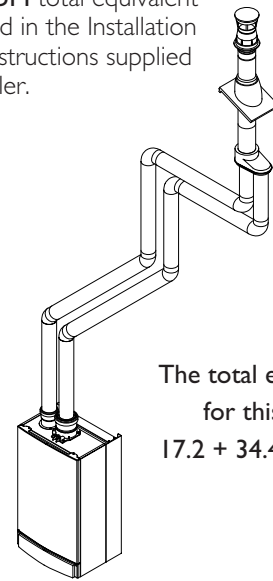
The **MAXIMUM** total equivalent length is stated in the Installation & Servicing Instructions supplied with each boiler.

FLUE OPTIONS

Twin & Vertical Flue System Examples



The **MAXIMUM** total equivalent length is stated in the Installation & Servicing Instructions supplied with each boiler.

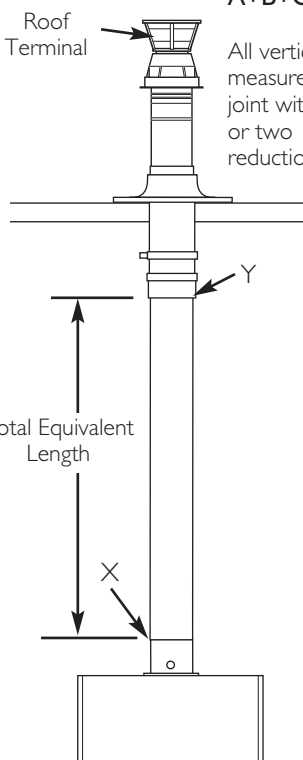


The total equivalent length for this example is $17.2 + 34.4 = 51.6$ metres.

AIR DUCT EXAMPLE		
Equivalent Length Value	N° of fittings/pipes	Sub total
1m extension	5	5.0m
135° bend	2	2.6m
90° bend	2	9.6m
Equivalent Length Air Duct = 17.2m		

FLUE DUCT EXAMPLE		
Equivalent Length Value	N° of fittings/pipes	Sub total
1m extension	5	10.0m
135° bend	2	5.2m
90° bend	2	19.2m
Equivalent Length Flue Duct = 34.4m		

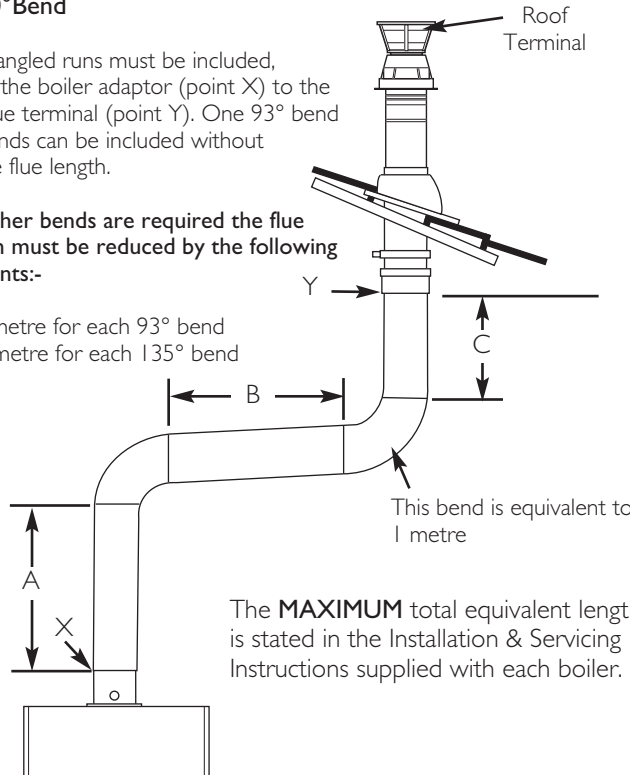
Total Equivalent Length = A+B+C+1x90° Bend



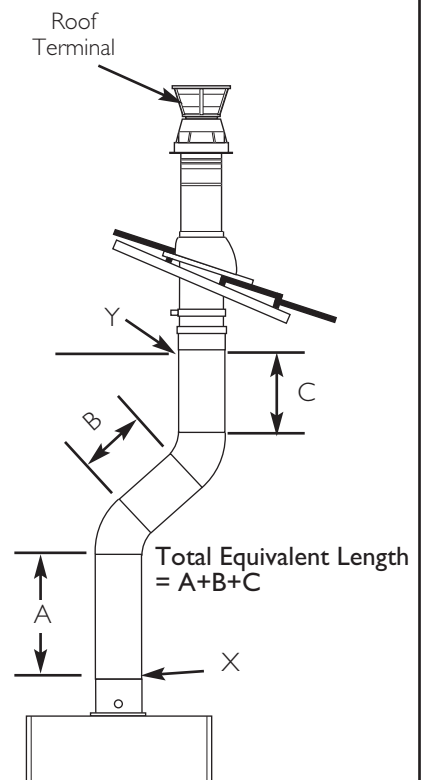
All vertical and angled runs must be included, measured from the boiler adaptor (point X) to the joint with the flue terminal (point Y). One 93° bend or two 135° bends can be included without reduction of the flue length.

If further bends are required the flue length must be reduced by the following amounts:-

- 1 metre for each 93° bend
- 0.5 metre for each 135° bend



The **MAXIMUM** total equivalent length is stated in the Installation & Servicing Instructions supplied with each boiler.



PLUME DISPLACEMENT ACCESSORIES

For Use With Flue Group

K Ø60/100 Flue Systems

Key	Accessory	Size	Code No
Plume Displacement 60/100mm diameter			
A	Plume Displacement Kit	Ø60	5118638
B	Plume Extension	1000mm	5121368
C	Plume Bend	93°	5121369
D	Plume Bend (pair)	135°	5121370

For Use With Flue Group

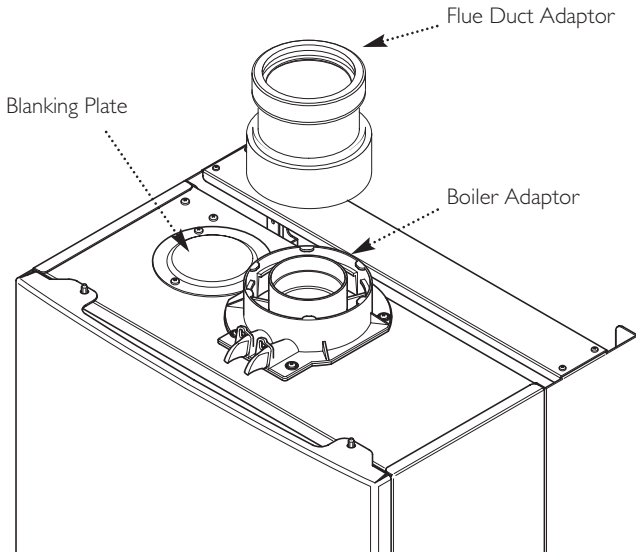
L Ø70/110 Flue Systems

Key	Accessory	Size	Code No
Plume Displacement 70/110mm diameter			
A	Plume Displacement Kit	Ø70	5121371
B	Plume Extension	1000mm	5121372
C	Plume Bend	93°	5121373
D	Plume Bend (pair)	135°	5121374

FITTING THE BOILER ADAPTORS

For Use With Flue Group

N Ø80/80 Twin Flue Systems



Flue Duct Adaptor

Engage the flue duct adaptor on the boiler adaptor, making sure that it is pushed down as far as possible.

Air duct adaptor

Undo the screws securing the blanking plate to the boiler top panel. Discard the plate.

There are three restrictor plates supplied in the kit. For 12 kW (models) use the one marked '23'. The one marked '27' must be used on the 15/18 kW (models). The third restrictor is for all other models. This restrictor is used either way up depending upon model of boiler - see diagram below.

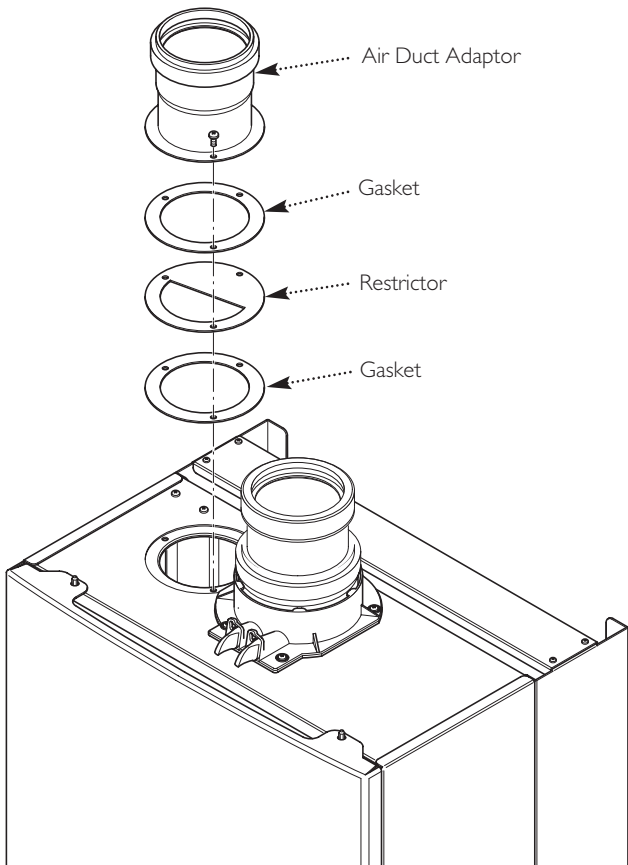
IMPORTANT: The restrictor MUST be positioned as shown in the diagrams below.

Take one of the gaskets supplied in the kit and place on the boiler top panel.

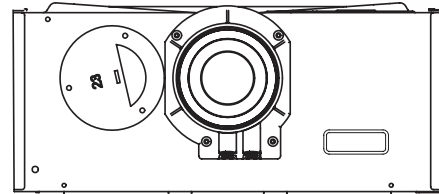
Align the appropriate restrictor as shown. Position the second gasket over the restrictor.

Using the screws previously removed secure the inlet adaptor to the top panel.

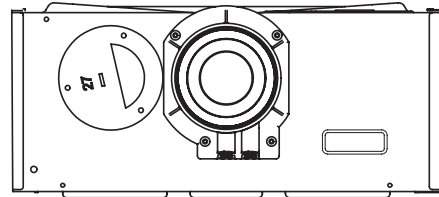
Continue to fit the twin flue system.



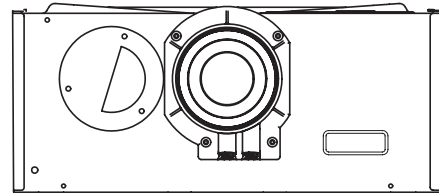
Position of Restrictor



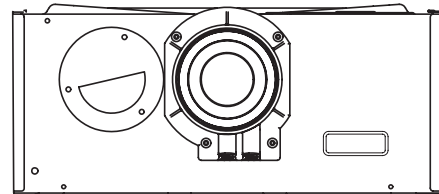
12 kW models



15/18 kW models



24 kW models



28/32/33/40 kW models

FITTING THE BOILER ADAPTORS

For Use With Flue Group

B Ø70/110 Flue Systems

P Ø80/80 Twin Flue Systems

G Ø80/125 Flue Systems

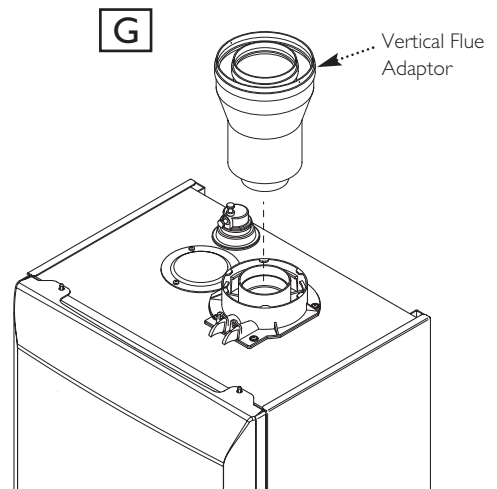
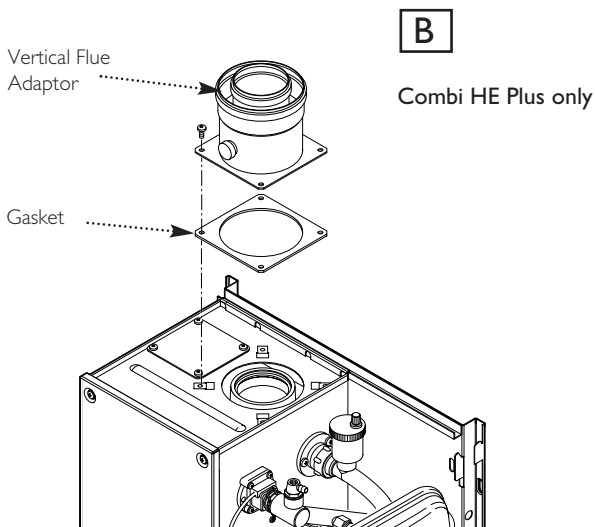
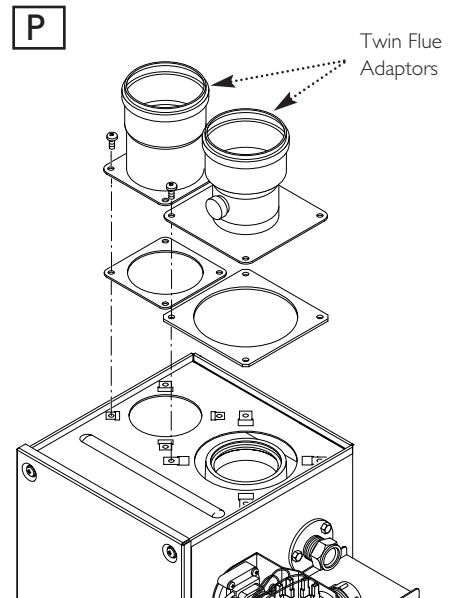
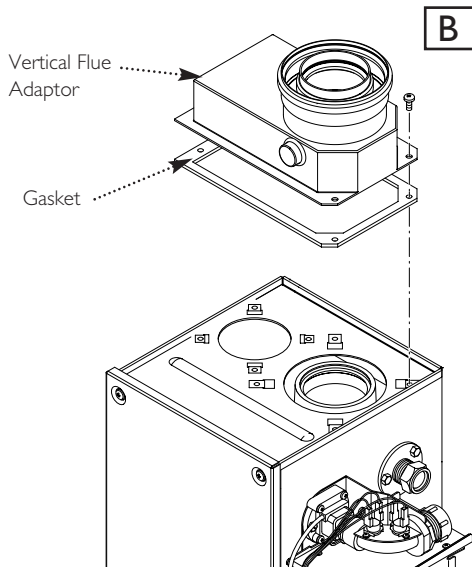
The relevant adaptor supplied with the flue pack is fixed to the boiler with a gasket and screws.

Ensure the lip seals are seated correctly in their grooves.

Place the flue gaskets on the boiler.

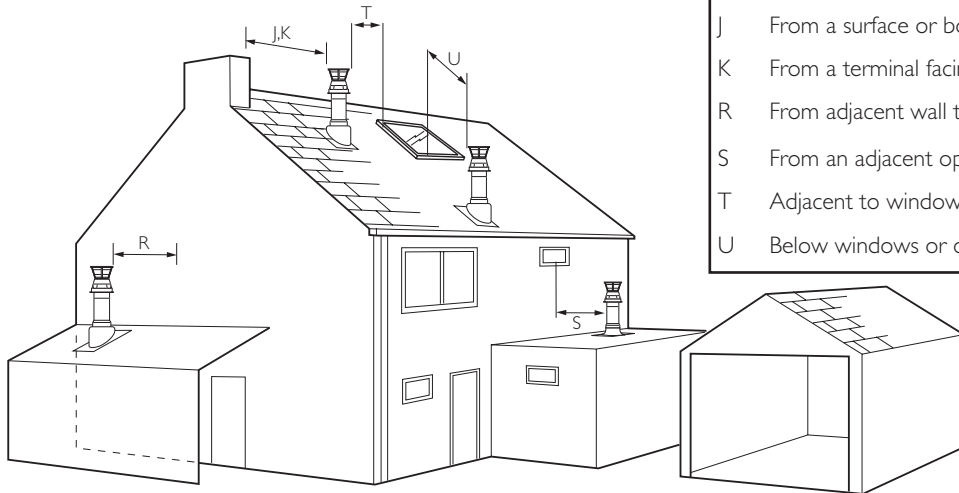
Apply a suitable lubricant to the 'O' ring seal on the adaptor and engage the flue and air adaptors onto the boiler.

Secure each with screws.



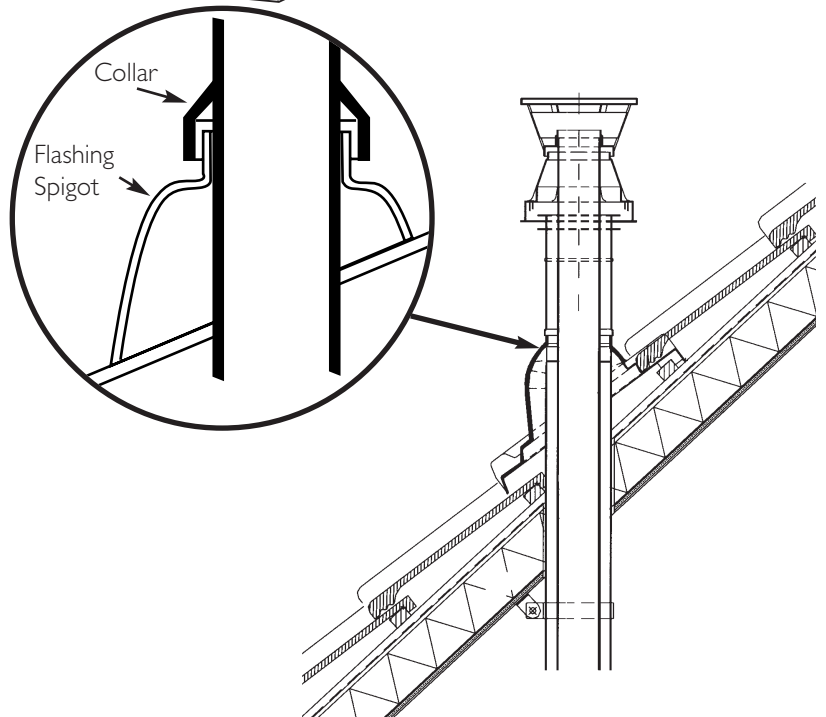
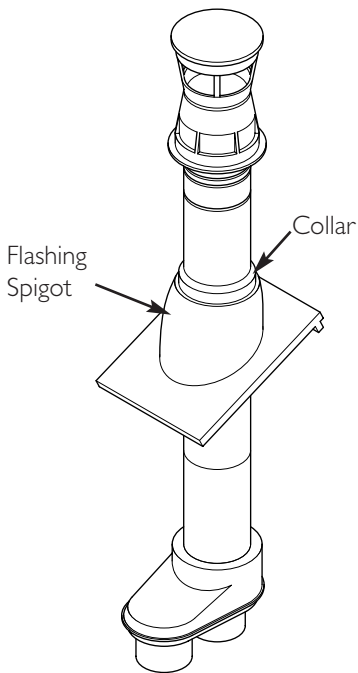
FITTING THE ROOF TERMINAL

Special Requirements for Vertical Balanced Flue		
	POSITION SPACING	MIN
J	From a surface or boundary line facing a terminal	600mm
K	From a terminal facing a terminal	600mm
R	From adjacent wall to flue	300mm
S	From an adjacent opening window	1000mm
T	Adjacent to windows or openings on pitched roofs	600mm
U	Below windows or openings on pitched roofs	2000mm



Fitting the Roof Terminal to the Flashing:

Ensure the roof terminal collar is correctly seated onto the flashing spigot to prevent leakage.



For Roof Terminals

1. In the case of a pitched roof 25 - 50 degrees, position the lead tile to replace/flash over existing roof tiling. Make an aperture in the roof suitable for the lower tube of the roof terminal and ensure the integrity of the roof cover is maintained. The adjustable plastic collar can either be positioned on the lead tile or the lower tube of the roof terminal prior to the final positioning of the vertical flue through the tile. Check the collar is correctly located to suit required roof pitch (either 25° to 38° or 37° to 50°). From inside the roof adjust the flue to a vertical position and secure to the roof structure with the clamp supplied.

2. For flat roof installations the aluminium flashing must be incorporated into the roof covering and the appropriate aperture made in the roof decking. The vertical flue is lowered onto the flashing making sure the collar of the flue locates securely with the flashing. (A mastic seal may be necessary). From inside the roof, adjust the flue to a vertical position and secure to the roof structure with the clamp supplied.

IMPORTANT: If the boiler is not fitted immediately after the flue system, temporary precautions must be taken to prevent rain entry into the room of installation. Any precautionary measures must be removed prior to commissioning the boiler.

It is necessary to cut the air duct on the flue terminal. The air duct must be cut so that the dimensions x & y are equal.

A cross-sectional diagram of the roof terminal assembly. It shows a 'Roof Terminal Adaptor' on top of a 'Flue Terminal Air Duct'. Below the adaptor, two 'Ø 80 Air Duct' pipes are shown. The dimensions 'x' and 'y' are indicated as the width of the cut in the air duct, with arrows pointing to the cut edges.

MULTIFIT

A Registered Trademark of Baxi Heating UK Ltd
Brooks House, Coventry Road, Warwick. CV34 4LL

e&oe

A BAXI GR●UP company

© Baxi Heating UK Ltd 2007

Comp N° 5122412 - Iss 1 - 2/07