

# 7x5 SLAP SINGLE DOOR PENT SHED

## ASSEMBLY INSTRUCTIONS

ISSUE 0110



**IMPORTANT :**  
ASSEMBLY OF THIS  
SHED REQUIRES TWO  
PEOPLE

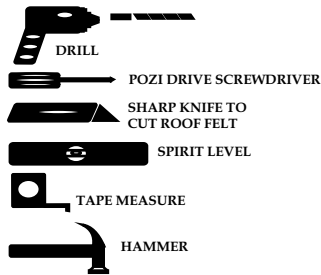
SHOULD YOU REQUIRE ANY ADDITIONAL GUIDANCE WITH THE ASSEMBLY OF YOUR SHED PLEASE CONTACT OUR TECHNICAL HELP LINE ON 0844 248 9853

**IMPORTANT. RETAIN FOR FUTURE REFERENCE: READ CAREFULLY**

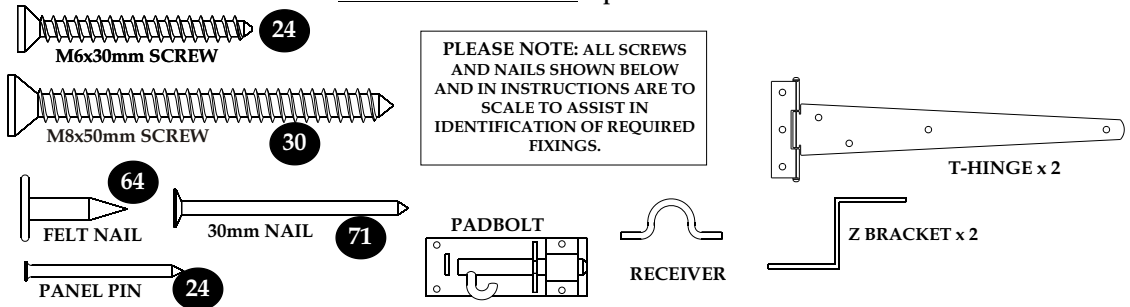
Thank you for choosing this garden building manufactured by the UK's largest manufacturer of timber garden products. In order to gain the most benefit from it, please note the following:

- Exercise particular care and follow instructions whilst cutting the roofing felt. If it is cut incorrectly, additional roofing felt can be inexpensively purchased from most good DIY retailers or garden centres.
- Most buildings are pre-treated with a factory base coat for protection during storage and transit. We recommend that you treat your new building as soon as possible after assembly, using a wood preservative treatment. Apply in accordance with the manufacturers instructions.
- If there are any technical queries with the product, please contact our customer help line on 0844 248 9853 between the hours of 8.30 am and 5.00 pm Monday to Friday.
- Please ensure that you thoroughly check all component parts for quantity and quality before you commence building the product. If there are any missing parts, please contact the help line as shown immediately. The manufacturer cannot be held liable for damaged items once any part of the product has been fitted or altered in any way (e.g. Painted)
- Timber is a natural material. It will shrink and swell as a result of varying moisture content.
- Please keep all plastic bags and small parts away from children in order to reduce the risk of suffocation.
- This product must be built on a solid level base.

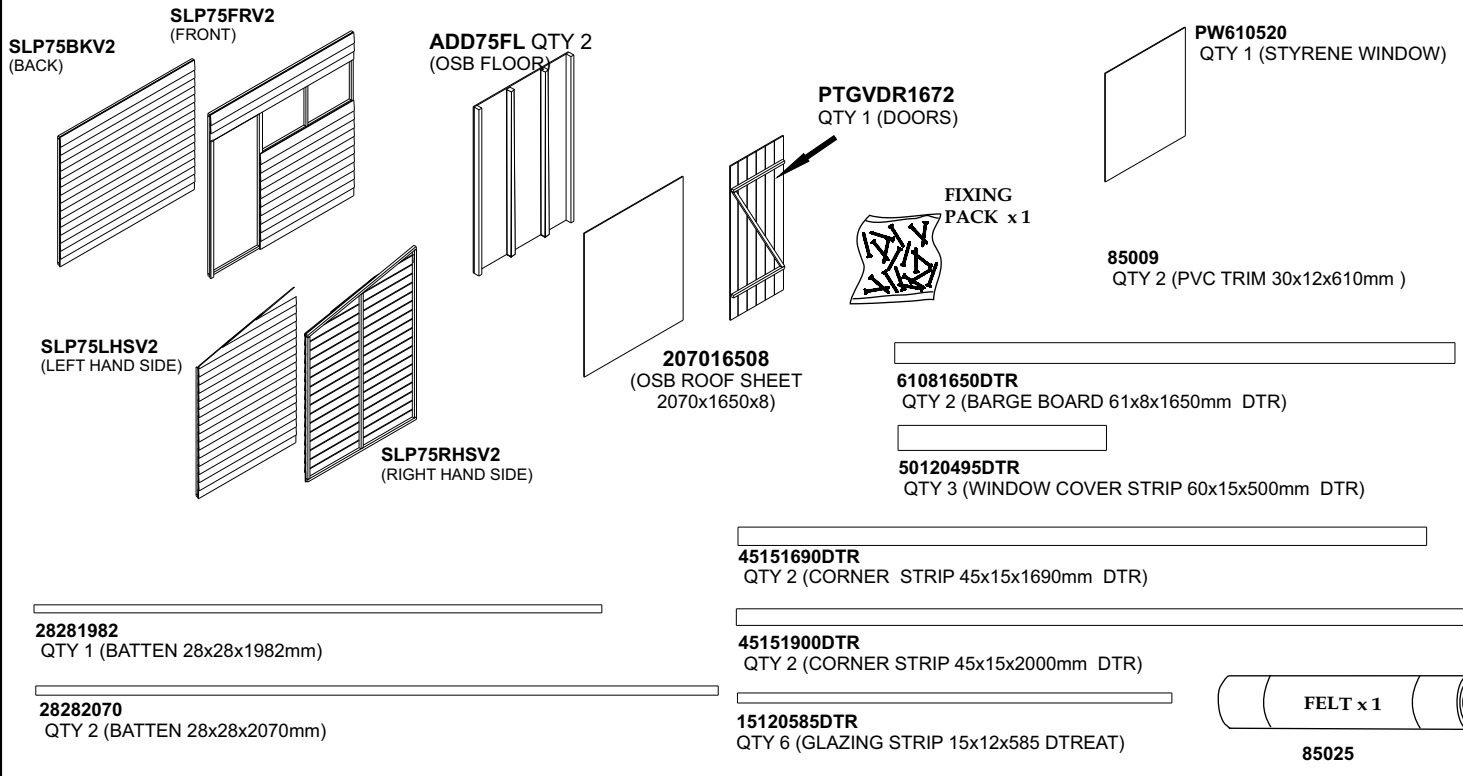
### REQUIRED TOOLS : (NOT SUPPLIED)



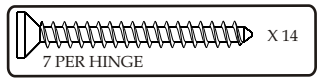
### FIXING PACK CONTENTS : Fp06



PLEASE NOTE: ALL SCREWS AND NAILS SHOWN BELOW AND IN INSTRUCTIONS ARE TO SCALE TO ASSIST IN IDENTIFICATION OF REQUIRED FIXINGS.

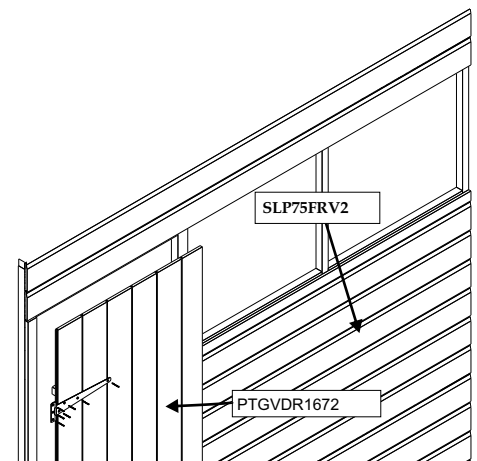


1

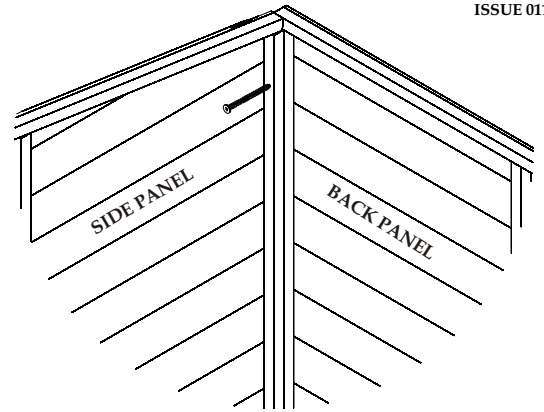
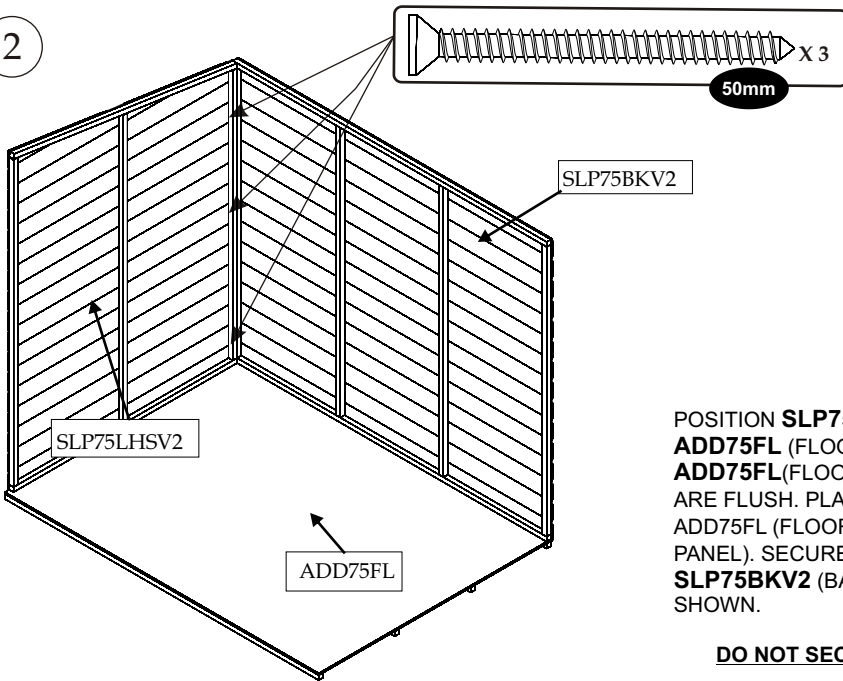


FASTEN EACH OF THE TWO HINGES TO THE LEFT HAND SIDE OF **PTGVDR1672** (DOOR) USING 4 x 30mm SCREWS (THE SCREWS MUST SECURE INTO THE TWO HORIZONTAL BRACES ON THE REVERSE SIDE OF THE DOOR).

LAY **SLP75FRV2** (FRONT) FACE UP ON THE GROUND. POSITION **PTGVDR1672** (DOOR) INTO THE DOOR RECESS OF **SLP75FRV2** (FRONT). ENSURE THAT THE DOOR IS POSITIONED SO THAT IT IS SQUARE AND HAS AN EQUAL GAP TO THE LEFT AND RIGHT. ONCE POSITIONED, SECURE THE HINGES IN PLACE WITH 2x30mm SCREWS FOR EACH.



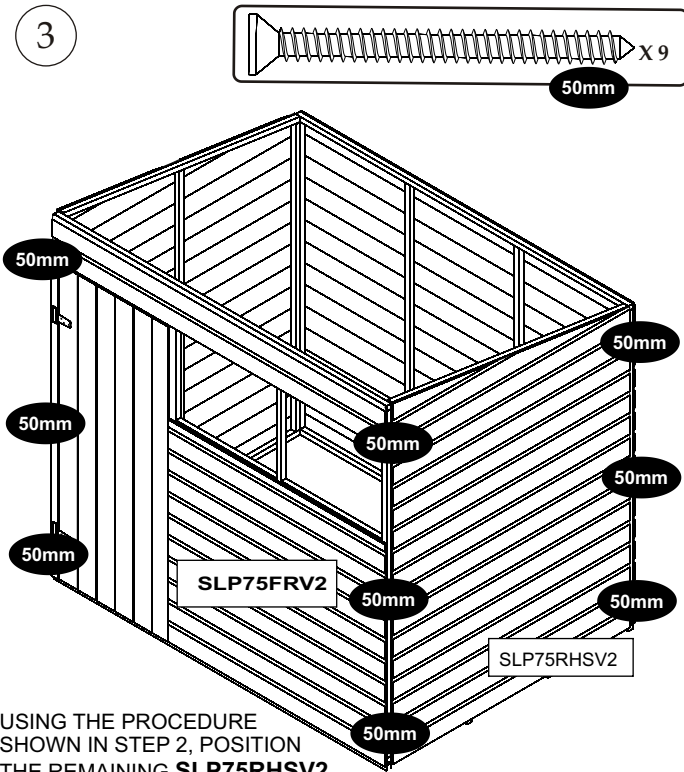
2



POSITION **SLP75BKV2** (BACK PANEL) OF THE SHED ONTO THE **ADD75FL** (FLOOR) SO THAT THE PANEL SITS ON THE LIP OF **ADD75FL** (FLOOR) AND BOTH THE RIGHT AND LEFT HAND EDGES ARE FLUSH. PLACE **SLP75LHSV2** (LEFT SIDE PANEL) ONTO **ADD75FL** (FLOOR) AND PLACE UP AGAINST **SLP75BKV2** (BACK PANEL). SECURE THROUGH **SLP75LHSV2** (LEFT SIDE PANEL) INTO **SLP75BKV2** (BACK PANEL) USING 3 x 50mm SCREWS, PLACED AS SHOWN.

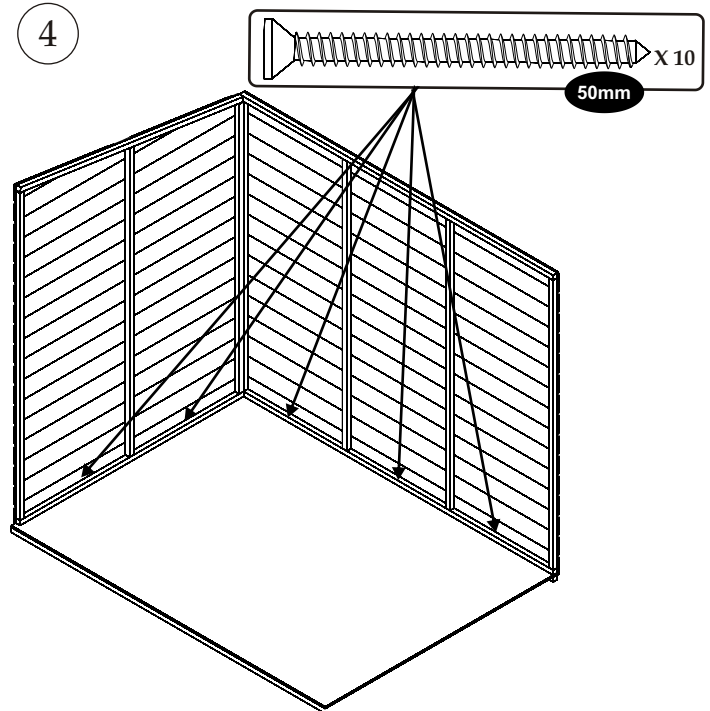
**DO NOT SECURE THE PANLES TO THE FLOOR AT THIS POINT**

3



USING THE PROCEDURE SHOWN IN STEP 2, POSITION THE REMAINING **SLP75RHSV2** (RIGHT SIDE PANEL) AND **SLP75FRV2** (FRONT PANEL) .

4

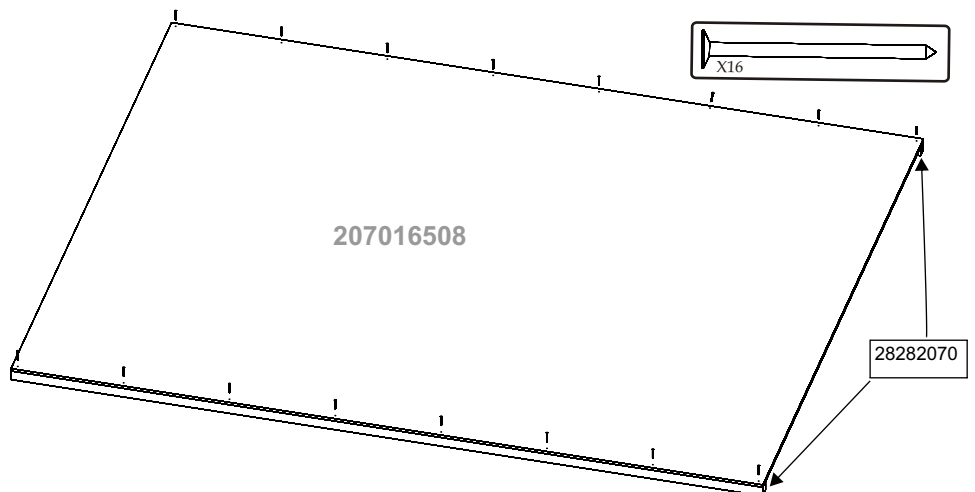


ONCE ALL FOUR PANELS ARE IN PLACE AND FASTENED TOGETHER, SECURE THEM TO **ADD75FL** (FLOOR) USING 50mm SCREWS. EACH SIDE PANEL WILL NEED 2 x 50mm SCREWS AND 3x50mm SCREWS FOR EACH OF THE **SLP75FRV2** (FRONT) AND **SLP75BKV2** ( BACK).

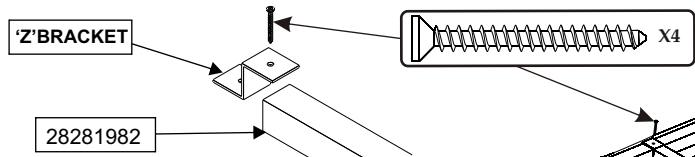
**IT IS VITAL THAT ALL SCREWS ARE POSITIONED THAT THEY LOCATE INTO THE FLOOR BEARERS**

5

PLACE **207016508** (OSB ROOF SHEET) ON TOP OF 2 X **28282070** (BATTENS 28x28x2070mm). EACH BATTEN MUST BE PLACED FLUSH WITH THE OUTER EDGES OF **207016508** (OSB ROOF), SECURE IN PLACE THROUGH **207016508** (OSB ROOF SHEET) INTO **28282070** (BATTEN 28x28x2070mm) WITH 8x30mm NAILS PER BATTEN

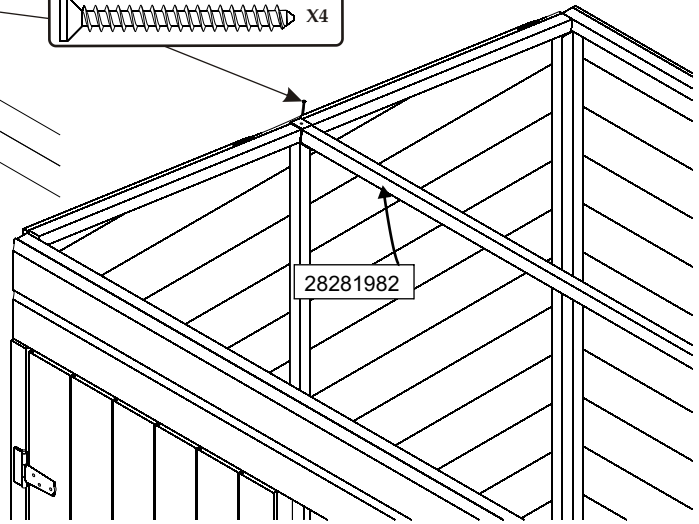


6

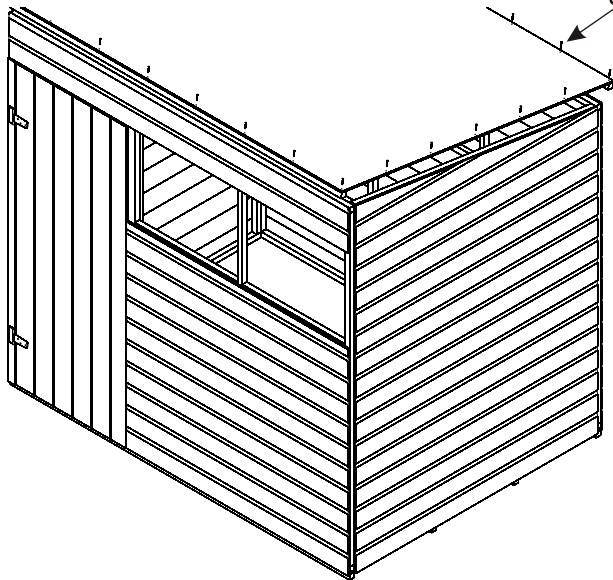
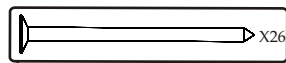


SECURE A 'Z' BRACKET TO EITHER END OF A **28281982** (BATTEN 28x28x1982mm) WITH A 30mm SCREW.

PLACE **28281982** (BATTEN 28x28x1982mm) WITH BOTH THE 'Z' BRACKETS ATTACHED, BETWEEN THE SIDE OF THE SHED SO THAT THE 'Z' BRACKETS SIT ONTO THE SIDE SECTION FRAMEWORK. PLACE THIS APPROXIMATELY HALF WAY BETWEEN THE FRONT AND BACK OF THE SHED AND THEN SECURE IN PLACE BY USING 2x30mm SCREWS TO FIX THE 'Z' BRACKETS IN PLACE

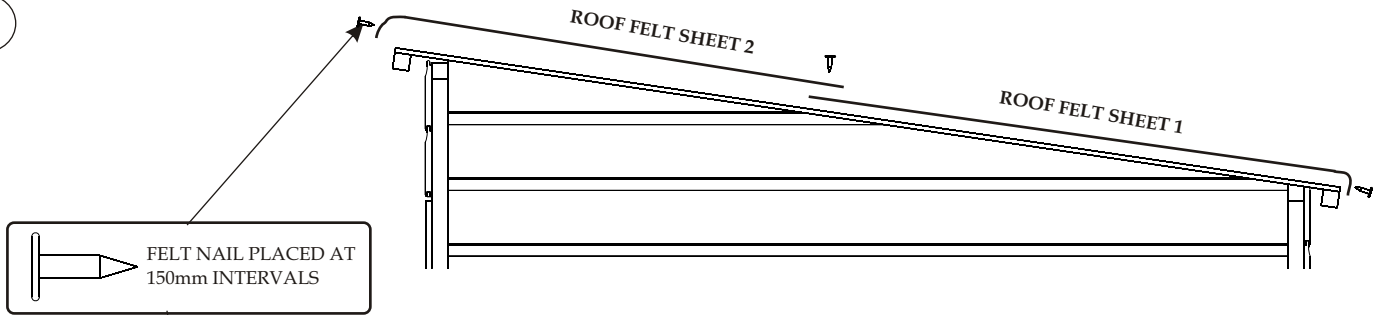


7



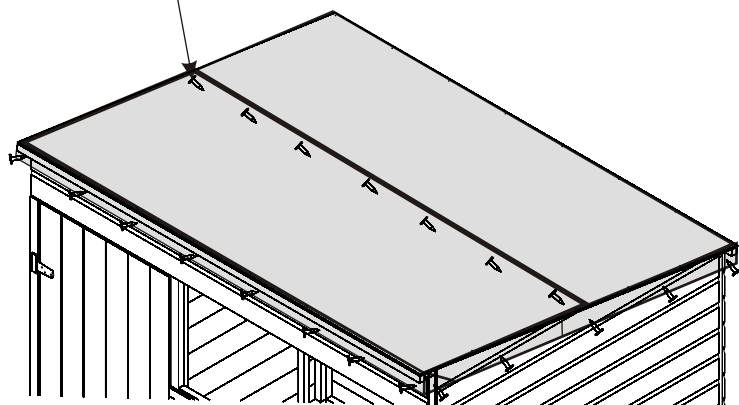
PLACE THE ASSEMBLED **207016508** (ROOF) SECTION ON TOP OF THE SHED. WHEN IN PLACE, THE **207016508** (ROOF) SECTION SHOULD OVERHANG BY EQUAL AMOUNTS AT ALL SIDES OF THE SHED. SECURE **207016508** (ROOF) SECTION IN PLACE WITH 30mm NAILS PLACED AT 300mm INTERVALS INTO THE SHED FRAMEWORK.

8

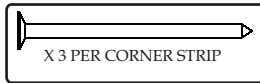


OPEN ROOFING FELT AND ROLL OUT FLAT ON GROUND

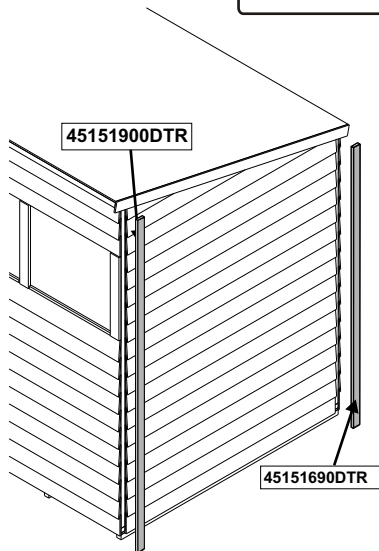
WHEN FELT HAS FLATTENED CUT IT INTO TWO EQUAL LENGTHS. PLACE THE FIRST PIECE OF FELT SO THAT IT OVERLAPS EQUAL AMOUNTS AT BOTH THE LEFT AND RIGHT SIDE OF THE SHED, AND APPROXIMATELY 40mm AT THE BACK OF THE ROOF. SECURE THE FELT WITH FELT NAILS PLACED AT 150mm INTERVALS ALONG THE OUTER EDGES OF THE ROOF. CUT AND FOLD FELT AT CORNERS AND SECURE THE FOLD WITH A FELT NAIL. REPEAT THE PROCESS WITH SECOND PIECE OF FELT SO THAT IT OVERLAPS THE FIRST, AS SHOWN ON DRAWING, PLACE ANOTHER LINE OF FELT NAILS AT 150mm INTERVALS WHERE THE TWO PIECES OVERLAP.



9

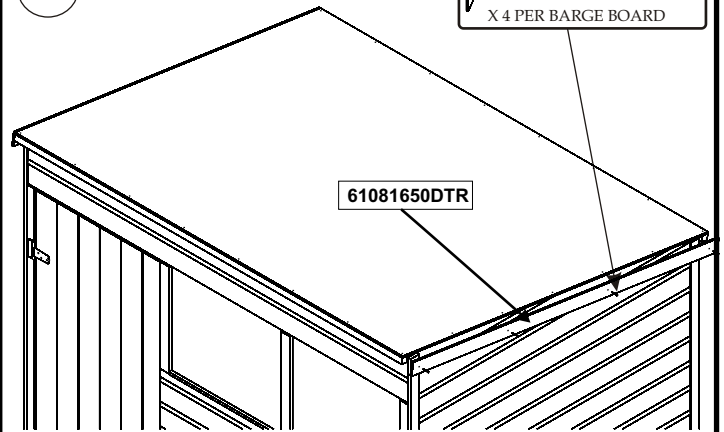


SECURE BOTH **45151690DTR** (CORNER STRIPS) WITH 3 x 30mm NAILS PER STRIP. PLACE THE **45151690DTR** (CORNER STRIP) IN THE GAP BETWEEN THE CLADDING MAKING SURE THAT THE BOTTOM OF THE **45151690DTR** (CORNER STRIP) IS FLUSH WITH THE CLADDING OF BOTH PANELS. REPEAT THIS PROCESS WITH THE LARGER **45151900DTR** (CORNER STRIPS)



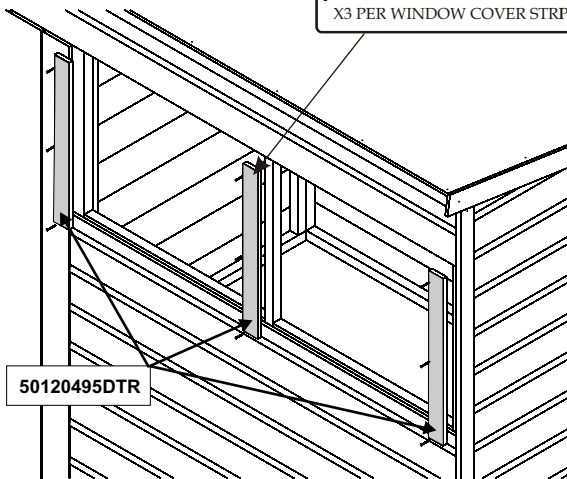
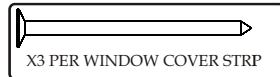
ISSUE 0110

10



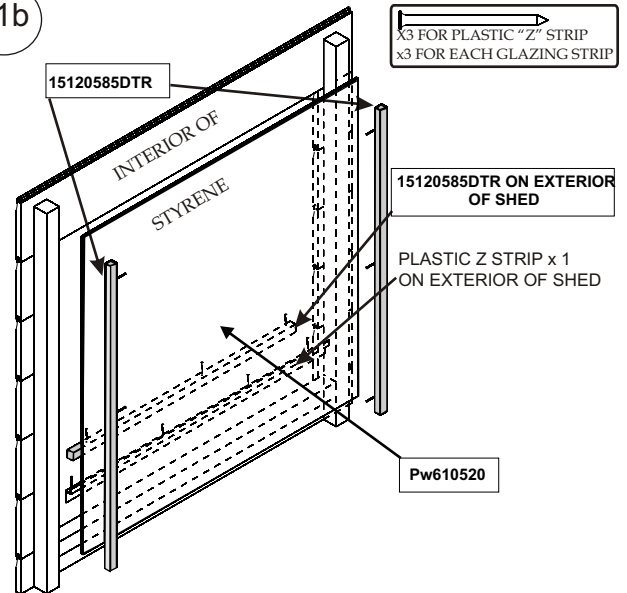
POSITION **61081650DTR** (BARGE BOARD) ON THE LEFT AND RIGHT HAND OF THE SHED SO THAT THE TOP EDGE OF THE BOARD IS IN LINE WITH THE TOP EDGE OF THE ROOF. SECURE EACH **61081650DTR** (BARGE BOARD) IN PLACE WITH 4 x 30mm NAILS, PLACED AS SHOWN. TRIM OFF ANY EXCESS FELT THAT IS SHOWING BELOW THE BOARDS.

11a



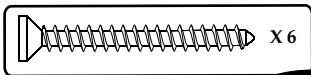
ATTACH EACH OF THE THREE **50120495DTR** (WINDOW COVER STRIPS) TO THE OUTSIDE OF THE SHED WITH 3 x 30mm NAILS. THE CENTRAL **50120495DTR** (COVER STRIP) SHOULD HAVE AN EQUAL OVER HANG ON BOTH THE LEFT AND RIGHT SIDE OF THE CENTRAL WINDOW BATTEN. THE OTHER TWO **50120495DTR** (COVER STRIPS) SHOULD BE PLACED FLUSH WITH THE OUTER EDGES OF THE CLADDING.

11b



PLACE PLASTIC 'Z' STRIP ACROSS THE BOTTOM OF EACH WINDOW OPENING. THE LONG FACE OF THE Z SHOULD BE ON THE OUT SIDE OF THE SHED. SECURE IN PLACE WITH 3 PANEL PINS. PLACE **Pw610520** (PVC WINDOW) INTO THE WINDOW OPENING FROM INSIDE OF THE SHED. THE BOTTOM OF THE **Pw610520** (WINDOW) SHOULD SIT ON TOP OF THE PLASTIC 'Z' STRIP. PLACE A **15120585DTR** (GLAZING STRIP) ALONG THE BOTTOM OF THE WINDOW FRAME ON THE OUTSIDE OF THE SHED AND SECURE IN PLACE USING 3x30mm PANEL PINS. PLACE **15120585DTR** (GLAZING STRIPS) TO THE LEFT AND RIGHT OF THE WINDOW FROM INSIDE AND SECURE USING 3x30mm PANEL PINS FOR EACH. REPEAT THIS PROCEDURE FOR BOTH WINDOWS

12



SECURE PAD BOLT TO OUTSIDE OF LH **ADDHMTNGDR** (DOOR) USING 3x30mm SCREWS. THE SCREWS MUST LOCATE INTO THE SHORT HORIZONTAL BATTEN ON THE INSIDE OF THE DOOR. SECURE RECEIVER TO RH **ADDHMTNGDR** DOOR USING 2 x30mm SCREWS.

