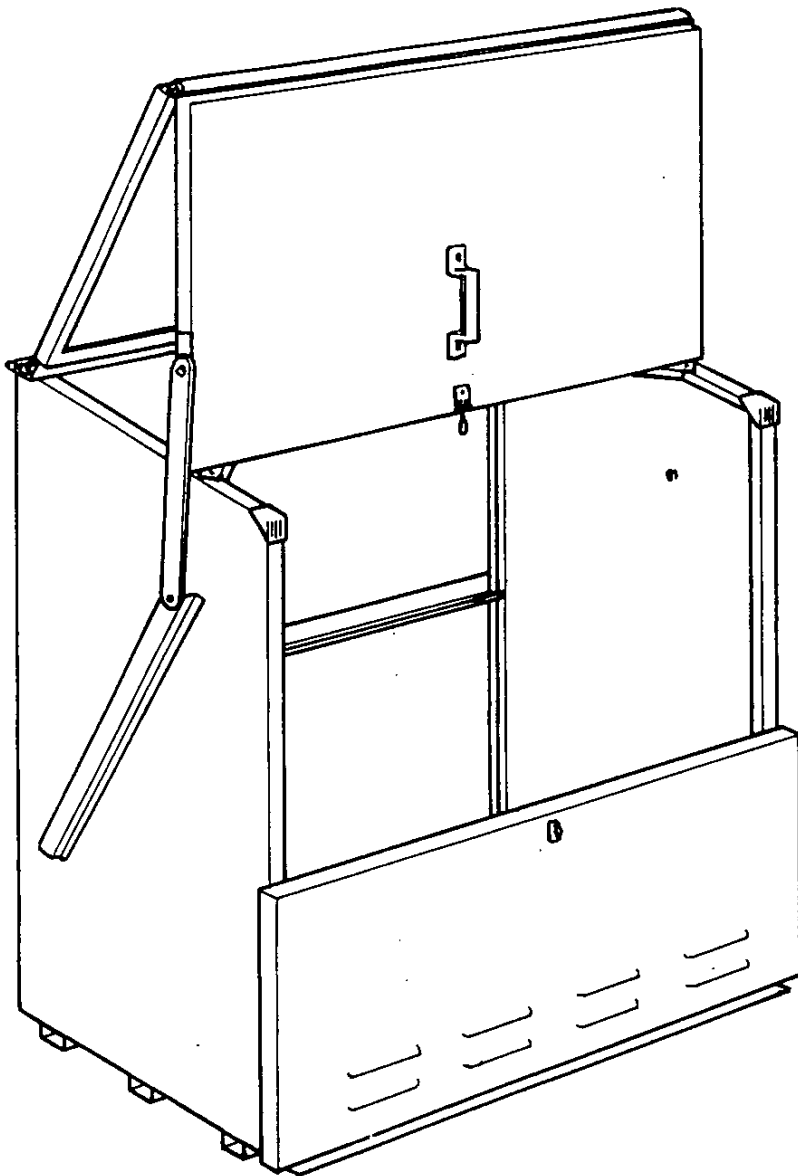


# TRIMETALS

## SENTURION



STORAGE UNIT ASSEMBLY INSTRUCTIONS

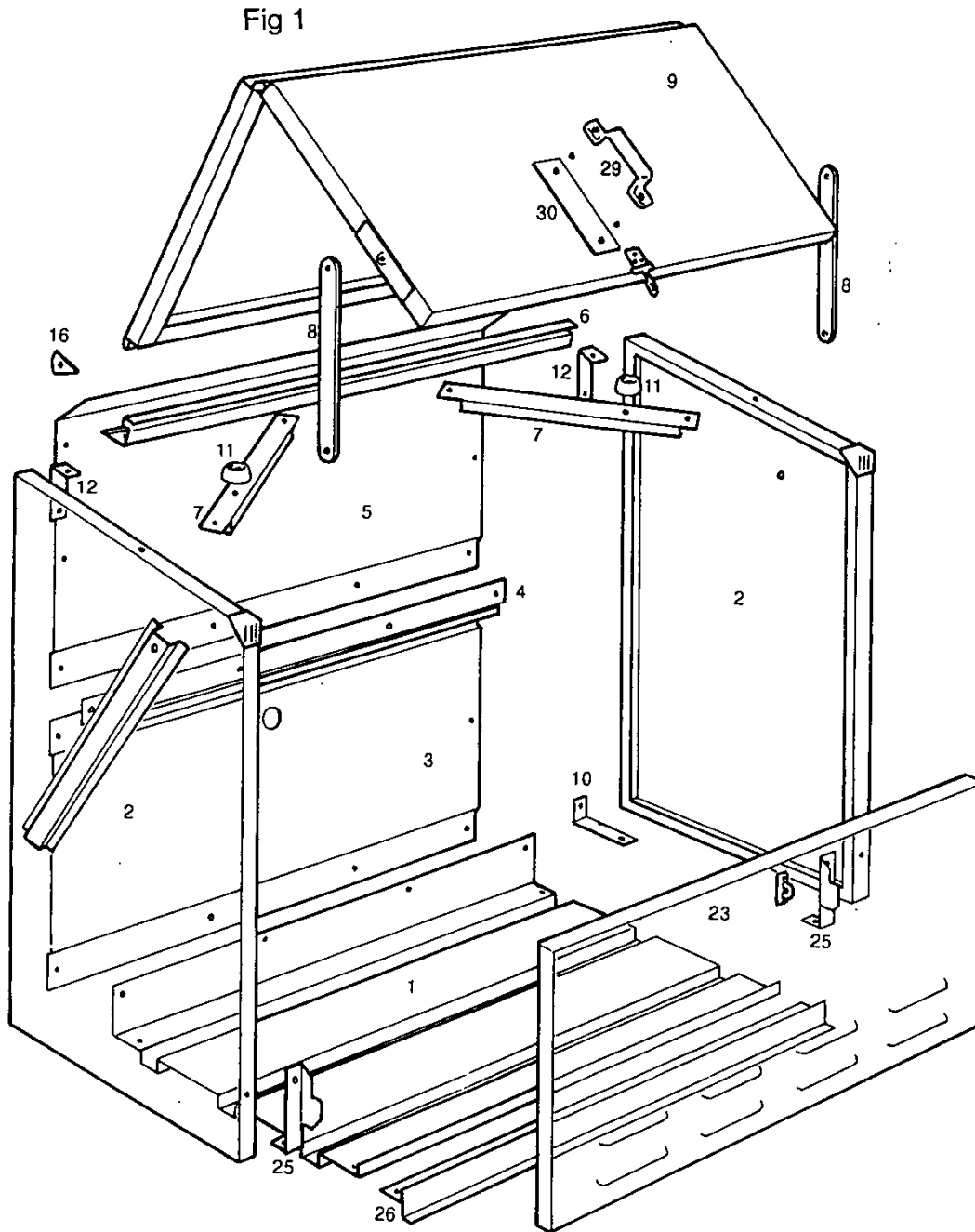
151319

# PLEASE READ BEFORE COMMENCING CONSTRUCTION

Remove all components from the carton. Check components against the parts list on Page 8.

PLEASE STUDY FIGURE 1 WHICH SHOWS AN EXPLODED VIEW OF THE UNIT  
AND FIGURE 10 ON PAGE 7 WHICH SHOWS A COMPLETED UNIT.

DO NOT TIGHTEN ANY FIXINGS UNTIL FINAL ASSEMBLY IS COMPLETED.



## BASE FLOOR & LOWER BACK PANEL ASSEMBLY.

Select the base floor (1) and the lower back panel (3). Hold the back panel against the outside edge of the base floor and secure loosely through the two middle holes only, using two M5 X 10 bolts and nuts. NOTE: all bolts/ nuts used for assembly are M5 X 10 bolts and nuts (14) & (15) unless otherwise stated and the terms 'fasten or 'secure' mean bolt through components and secure with nut.

Push plastic grommet (27) into hole from the back of the lower back panel.  
Push rubber grommets (28) into holes from the back of the top back panel.

## SIDE PANEL ASSEMBLY

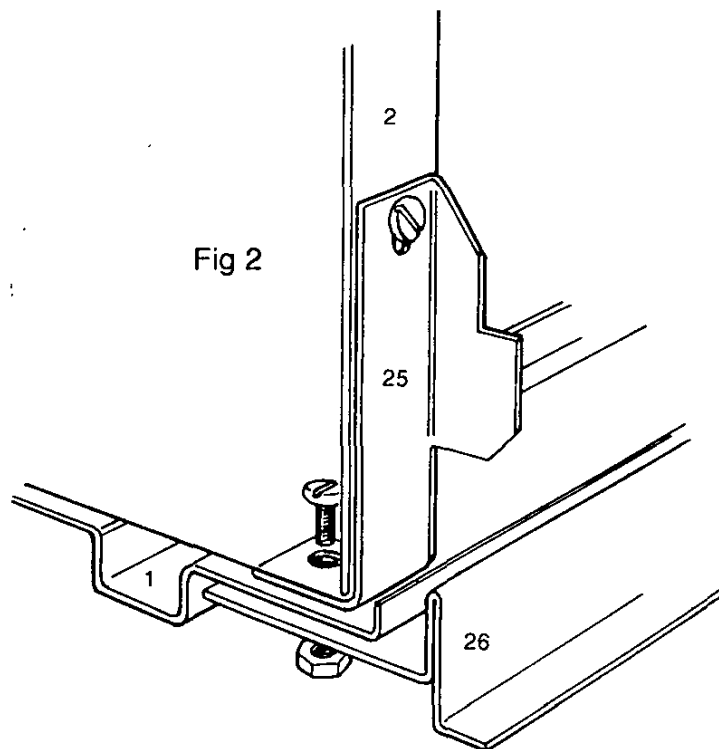
Select the left hand and right hand side panels (2). Place one side panel onto the base floor with the tall edge towards the back panel. Secure the back panel to the side panel with a bolt through the second hole up the edge of the back panel.

Place one anchor bracket (10) into the bottom rear corner of the side panel, bolt through the bottom hole of the back panel through the side panel and anchor bracket then fasten with nut.  
Push a bolt up through the rear hole in the base floor, the side panel and anchor bracket then secure.

Select one security bracket (25) and slide it into position at the front edge of the base floor in between the floor and the side panel as shown in Figure 2. Fasten through the top hole in the bracket into the side panel only.

Repeat for the other side assembly.

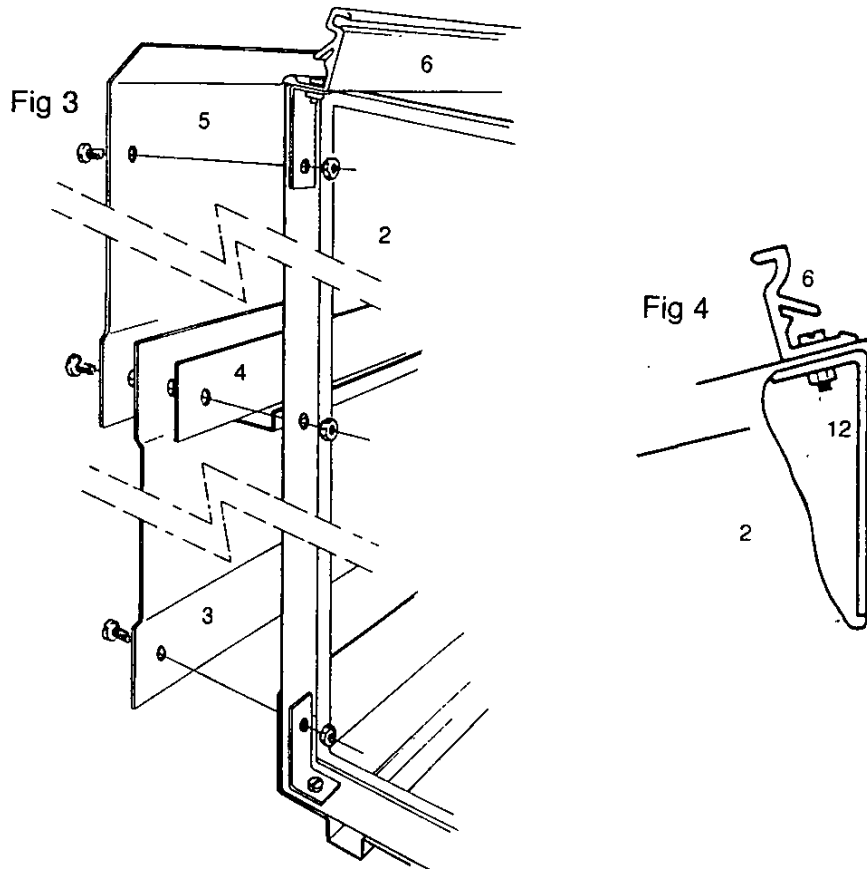
Select the front security bar (26) and slide it under the front of the base floor as shown in Figure 2, secure into position using one bolt through each of the side panels.



## TOP RAIL ASSEMBLY

Select the top rail (6) and the two corner brackets (12). Place the top rail on top of the side panels, slide one corner bracket into position in the top corner of the side panel. Push one bolt through the top rail, side panel and corner bracket (12) and secure as shown in Figures 3 and 4.

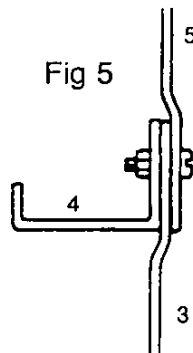
Repeat for the other side panel.



## TOP BACK PANEL & BACK BAR ASSEMBLY

Select the top back panel (5) and the back bar (4). Locate the top folded edge of the back panel into the recess in the top rail, secure the back panel to the two side panels through the top two holes in the back panel only. The top bolt will pass through the top back panel, side panel and the corner bracket. The back bar is then fitted to the inside rear of the unit. The ends of the back bar with the holes in, overlaps the back edge of the side panels and the folded section comes in between the two side panels, as shown in Figure 3 & 5 and is secured to the lower back panel. The bolts pass through the top back panel, the lower back panel and the back bar and are secured with a nut.

Then secure the back bar ends into position with bolts. The bolts will pass through the top back panel, the lower back panel, the back bar and the side panel.



## LEFT AND RIGHT HAND DIAGONAL BRACE ASSEMBLY

Select the two diagonal braces (7) and secure one end of each to the side panels, the other ends meet in the middle below the top rail and are secured to the top rail, as shown in Figure 6.

Fasten one rubber buffer (11) on top of each diagonal brace as shown in Figure 6.

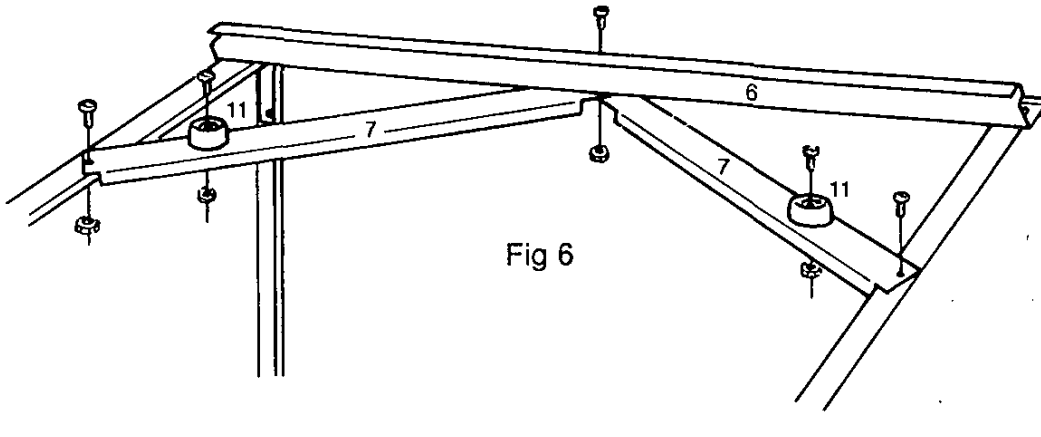


Fig 6

## DOOR / ROOF ASSEMBLY

Carefully lift the door / roof assembly (9). The door is the panel with two holes in the middle for fitting the door handle to. Open the door and roof assembly to 45° and slide the roof rear hinge onto the top rail as shown in Figure 7. Once in place lower the door to the closed position. Locate the two stainless steel end stops (16) and two stainless steel screws (17). Screw into position on the end of the top rail as shown in Figure 8.

Locate the door handle (29) and the door handle back plate (30). With the door assembly in the open position place the back plate on the inside of the door and the handle on the outside. Fasten into position as shown in Figure 9, using M6 x 10 bolts (19) and nuts (20).

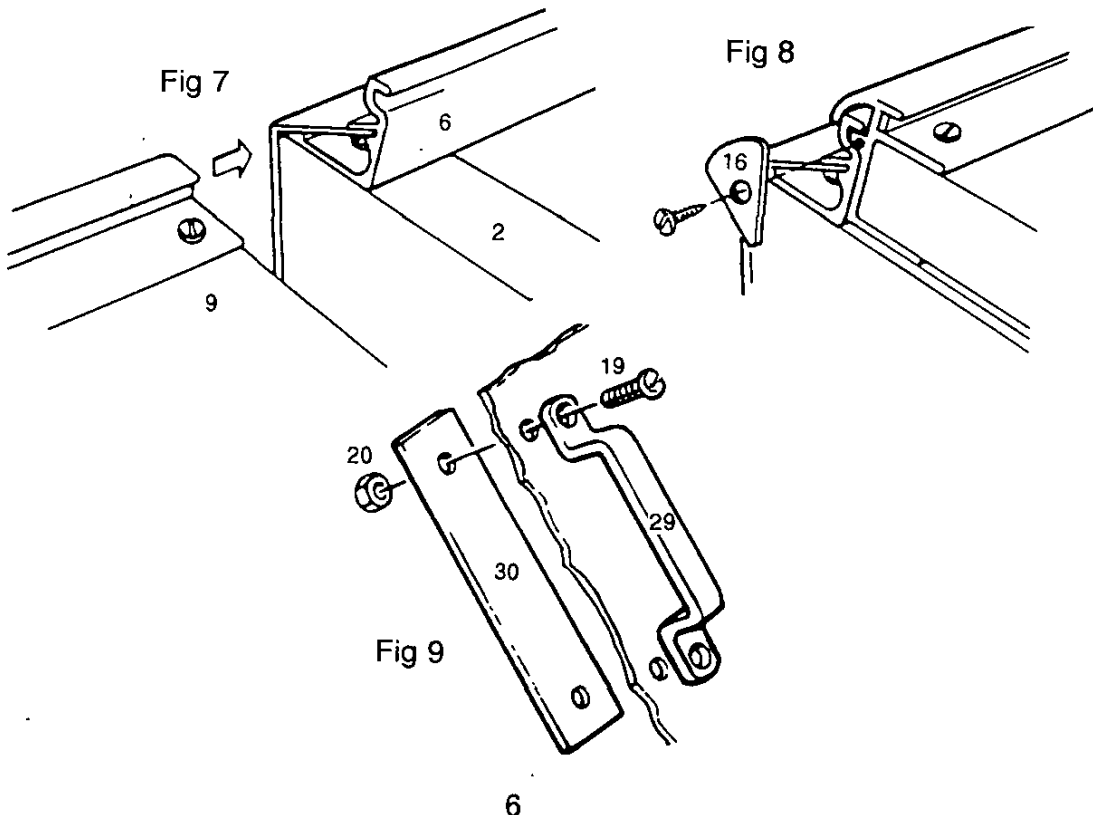


Fig 7

Fig 8

Fig 9

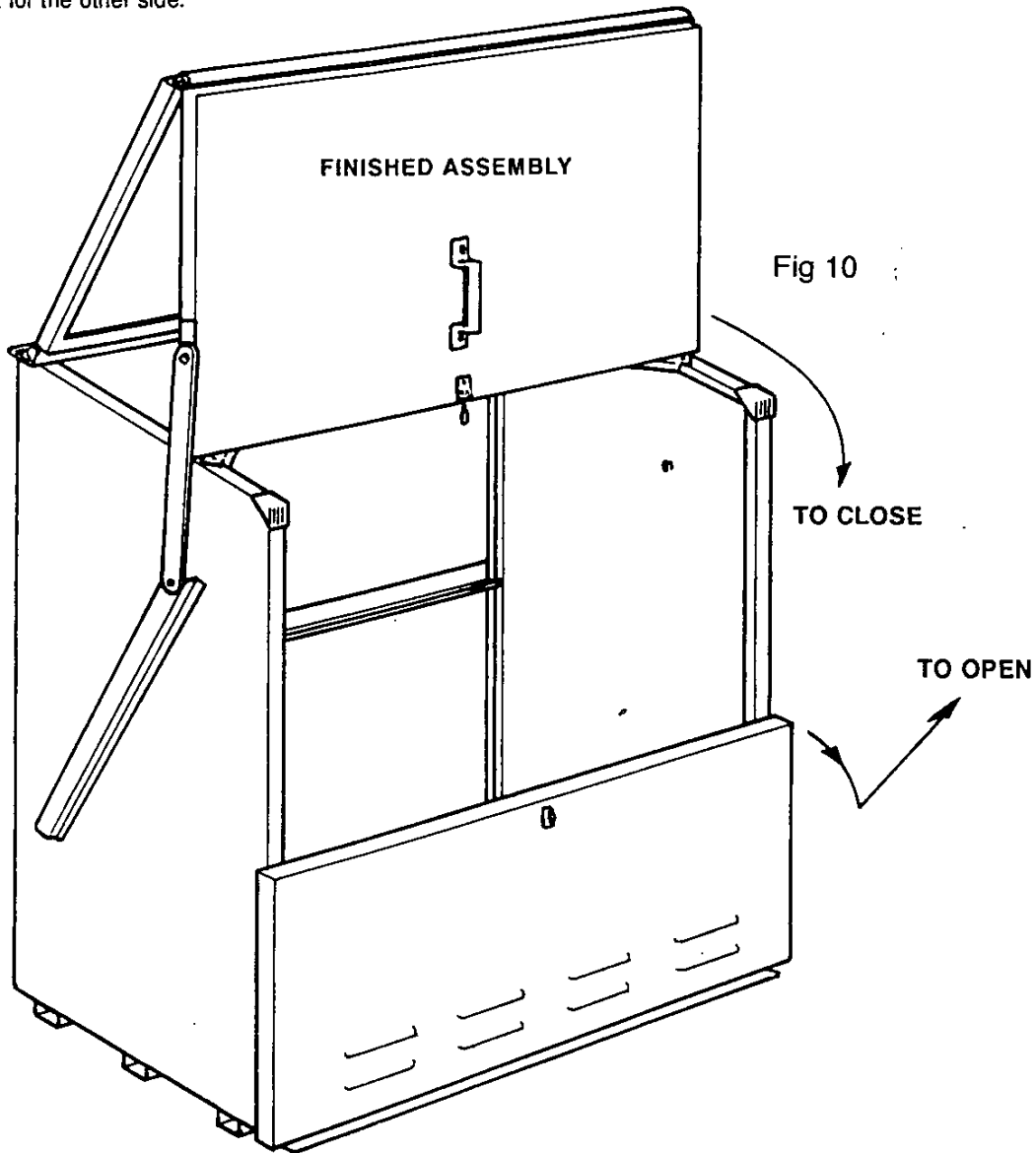
## LINK ARM ASSEMBLY

Locate the two link arms (8) and the four M6 X 25 mm bolts and nyloc nuts (24) & (13).

**NOTE:** Nyloc nuts have plastic inserts on the threads.

Fasten one end of the link arm to the side panel. Tighten the nut on the inside of the side panel ensuring that the link arm can still move freely then attach the other end of the link arm to the door and roof assembly again, ensuring that once the nut is tightened inside the door the link arm still moves freely.

Repeat for the other side.

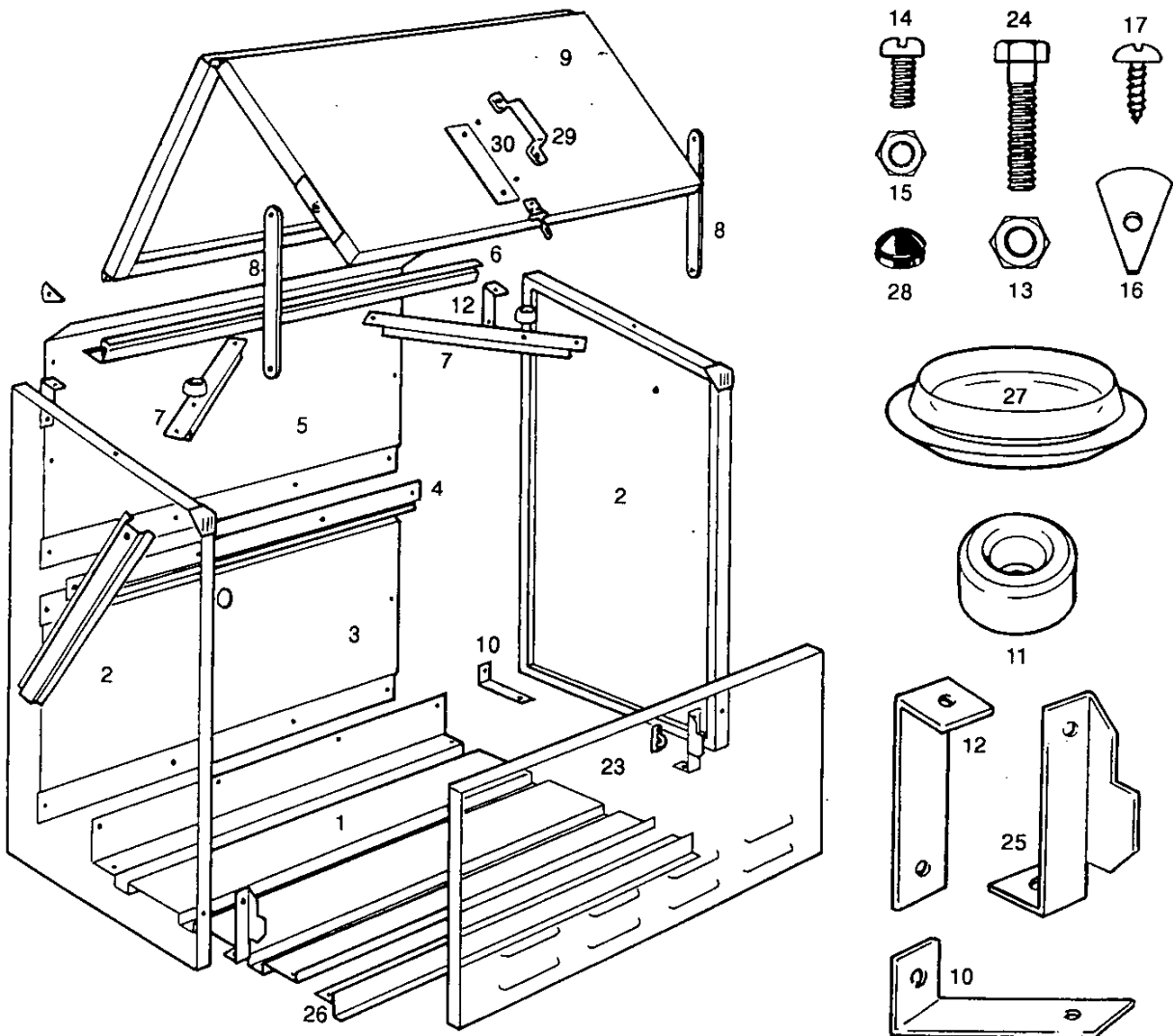


## LOWER DOOR ASSEMBLY

To Fit the lower door tilt the top edge towards you at 45° then slot onto the security bar and pivot the top into position towards the unit. A padlock can be fitted to the hasp assembly.

**IMPORTANT:** BEFORE FULLY TIGHTENING ALL FASTENERS ENSURE THAT THE SIDE PANELS ARE HELD UPRIGHT AND PARALLEL TO EACH OTHER.

## COMPONENT LIST



Component illustrations are given as a visual guide only and are not in proportion.

PART N°	PART NAME	QTY	PART N°	PART NAME	QTY
1	Base Floor	1	16	Stainless steel end stops	2
2	Side panels Left & Right hand	Pair 1	17	8 X 12 mm Stainless steel screw	2
3	Bottom back panel	1	18	Lock and 2 Keys (Optional)	1
4	Back Bar	1	19	M6 X 10 Bolts	2
5	Top back panel	1	20	M6 Nuts	2
6	Top Rail	1	21	N/A	-
7	Diagonal Brace Left & Right hand	Pair 1	22	N/A	-
8	Link arms	2	23	Lower Door	1
9	Roof and Door Assembly	Set 1	24	M6 X 25mm Bolts	4
10	Anchor Bracket	2	25	Security Bracket	2
11	Rubber Buffers	2	26	Security Bar	1
12	Corner Bracket	2	27	Large Grommet	1
13	M6 Nyloc Nuts	4	28	Small Grommet	2
14	M5 X 10 Bolts	27	29	Handle	1
15	M5 Nuts	27	30	Handle Back Plate	1

Trimetals policy is one of constant improvement. We reserve the right to alter specifications outlined in this document without incurring any obligation.

**TRIMETALS LTD.** Sunrise Business Park, Higher Shaftesbury Road, Blandford Forum, Dorset DT11 8ST  
 Telephone: Blandford 01258 459441 Fax: 01258 480408