

66599



LOW VOLTAGE CONSTANT CURRENT LED CONTROLLER



**PLEASE READ THESE INSTRUCTIONS CAREFULLY BEFORE INSTALLATION
LEAVE A COPY FOR THE USER / MAINTENANCE ENGINEER FOR FUTURE REFERENCE**

IMPORTANT INSTALLATION INFORMATION

- Installation should be carried out in accordance with the latest edition of the I.E.E. Wiring Regulations.
- For use with Aurora Low Voltage 1W **constant current** LED Lamps.
- **IMPORTANT.** Constant current LED lamps **MUST be wired in SERIES** ensuring **correct polarity**. Failure to do so can cause permanent lamp and/or controller failure.
- Before commencing installation or maintenance, ensure electricity is switched off at the mains.
- Keep the LED Controller away from direct sources of heat such as Low Voltage lamps.
- Insure that ALL electrical connections are tight with no loose strands.
- Suitable for mounting on normally flammable surfaces.
- Suitable for direct mounting on or in cabinets or furniture.
- Use the table below to assist with calculating how many 1W LED lamps may be used with the constant current LED controller. Simply multiply the number of lamps by their respective wattage up to the MAX rating of the controller. It is possible to combine constant current lamp types :

Lamp Wattage Type	Controller	mA Rating	MAX No. of lamps allowed
1W	AU-LED09T – AU-LED09IP	350mA	9
1W	AU-LED10T	350mA	10
1W	AU-LEDCC3T	350mA	3
1W	AU-LEDCC8T	350mA	8
1W	AU-LEDCC8R	350mA	8
1W	AU-LEDCC12T	350mA	12
3W/5W	AU-LEDCC12/5T	700mA	4/2

INSTALLATION INSTRUCTIONS AU-LED09IP

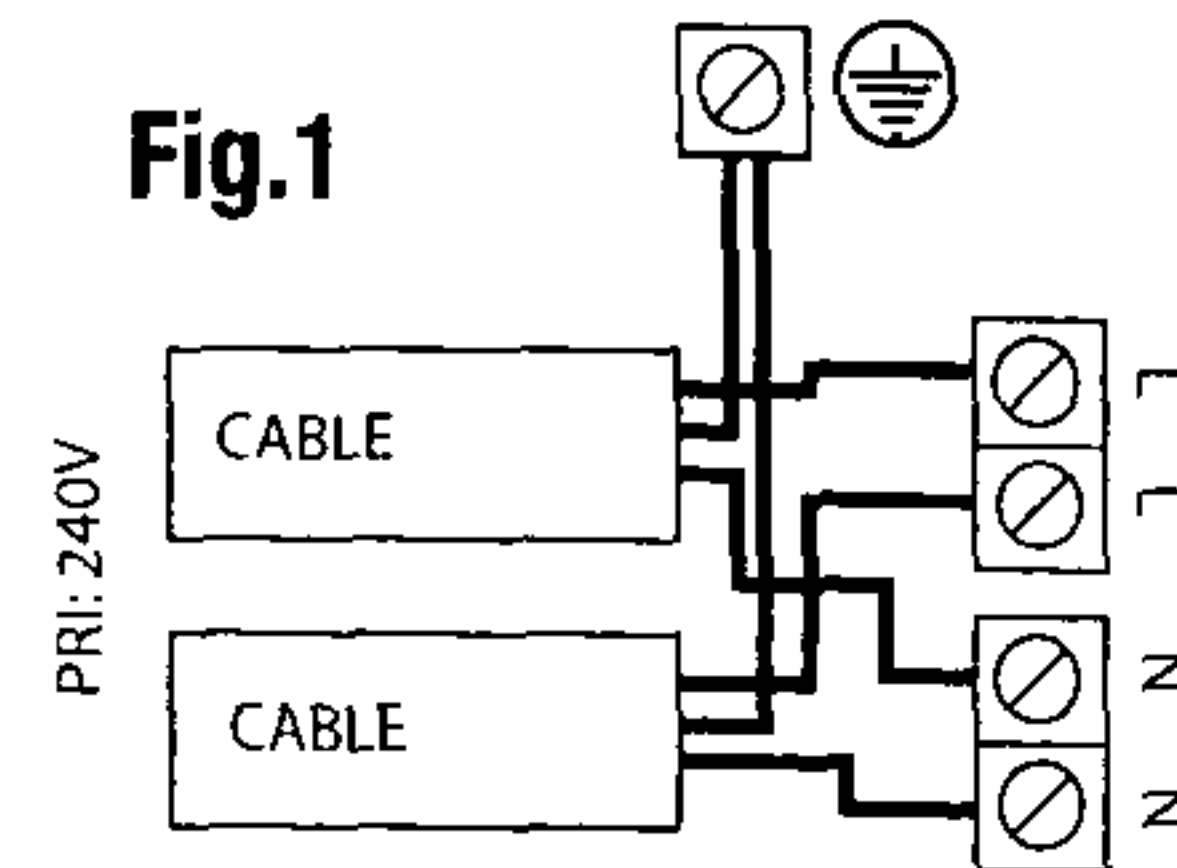
1. Isolate from the mains supply before installation or maintenance.
2. The AU-LED09IP is IP68 rated and is therefore protected against the following :
 - **First Numeral: Complete protection against contact/ DUST TIGHT – Pressure against ingress of dust.**
 - **Protection Against indefinite Immersion in water under specified pressure – 2m maximum depth**
3. The AU-LED09IP is suitable for exterior use e.g. Pond/pool lighting or anywhere requiring submersion in water
4. The mains supply should be connected to the Primary input cable using a suitable IP68 rated cable connector/junction box as follows:
 - **Black/Blue – Neutral**
 - **Red/Brown – Live**

INSTALLATION INSTRUCTIONS FOR NON IP CONTROLLERS

1. Isolate from the mains supply before installation or maintenance.
2. The AU-LED09T/AU-LED10T LED controllers feature loop-in and loop-out primary wiring terminals. (see fig 1 below)
3. The mains supply should be connected to the Primary input terminals as follows:
 - Black/Blue – Neutral
 - Red/Brown – Live
 - Green & Yellow – Earth.

Input terminals.

Dual Live and Neutral terminals allow loop-in; loop-out wiring between LED controllers



4. Do not fit the LED controller above the luminaire (see fig 2 below)
5. **IMPORTANT.** Constant current LED lamps **MUST be wired in SERIES** ensuring **correct polarity**. Failure to do so can cause permanent lamp and/or controller failure.

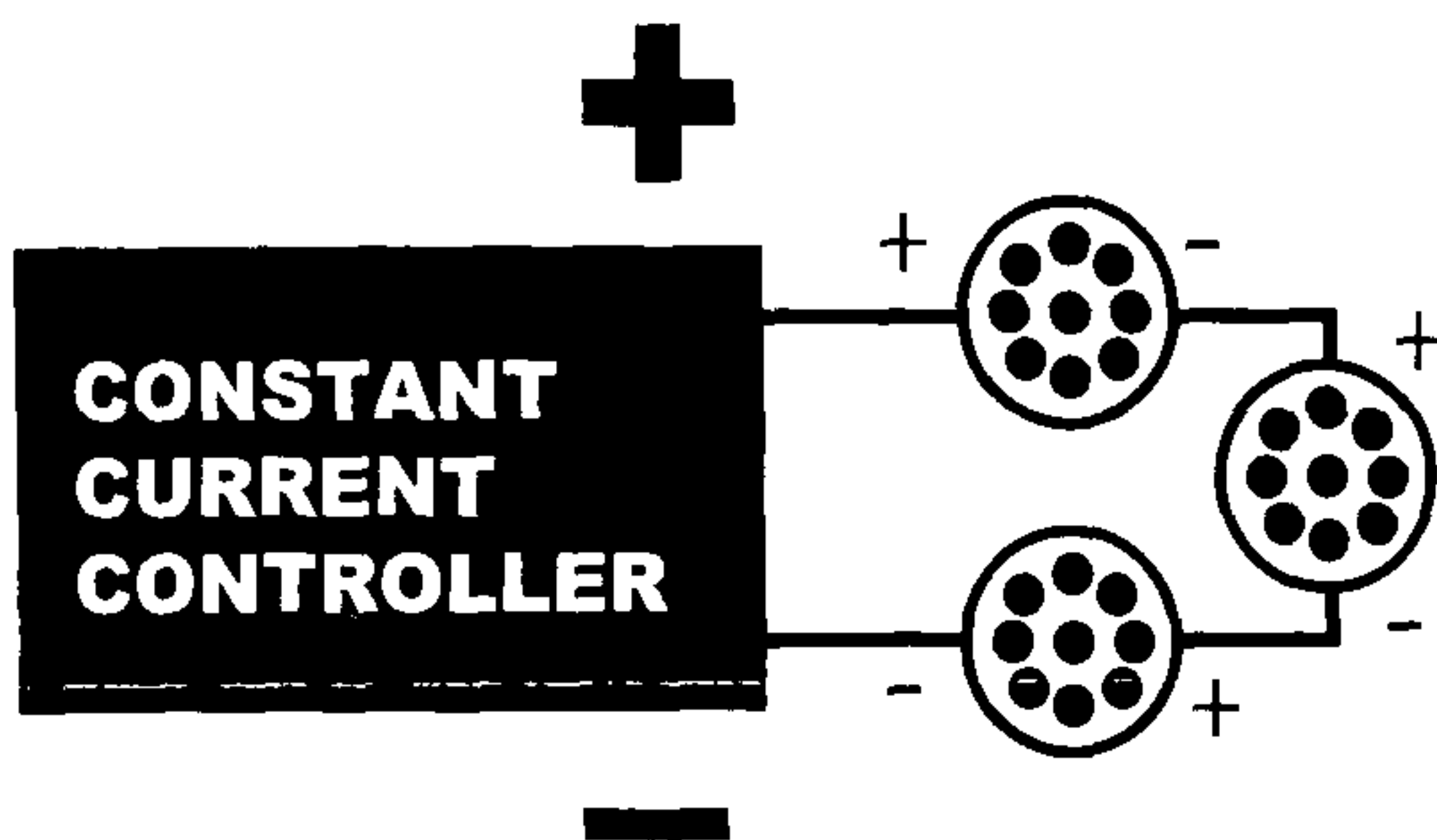
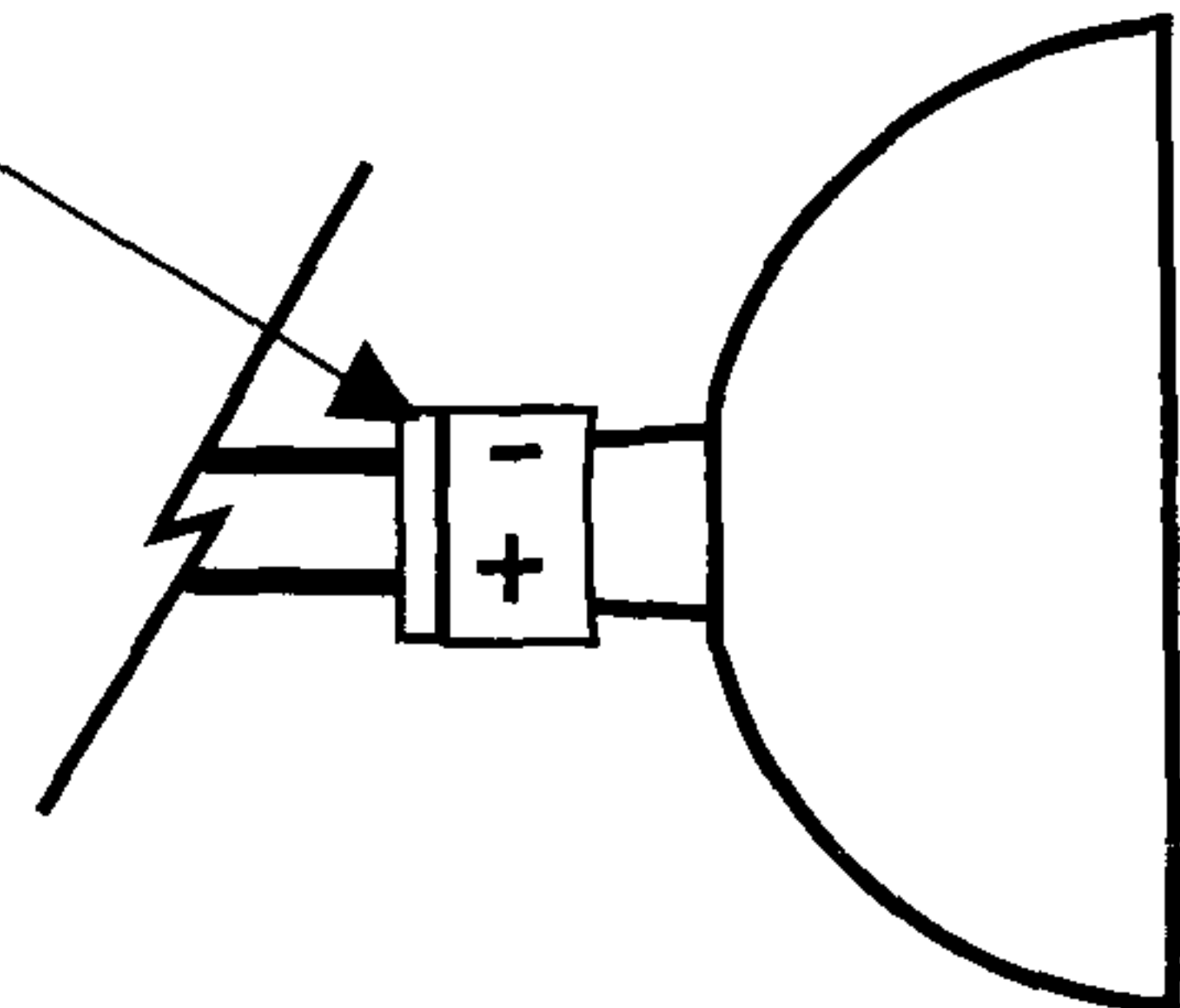


Fig.2 INCORRECT Installation

Polarity is indicated on LED Lamp as well as LED controller



CORRECT Installation

GENERAL

- Aurora LED Controllers may be fitted in the same circuit as inductive loads as they feature 1.5Kw Surge protection in accordance with EN61547 +A1
- EMC compliance – EN 55015, EN 6100, EN 61547 +A1
- Safety compliance – EN 61347
- DIMMING of the LED lamps is not possible.

GUARANTEE

This product is guaranteed in the UK for a period of 3 years from the date of purchase. The guarantee is invalid in the case of improper use, installation or tampering. Should this product fail during the guarantee period it will be replaced free of charge, subject to correct installation and return of the faulty unit. Aurora does not accept responsibility for any installation costs associated with the replacement of this product. Your statutory rights are not affected. Aurora reserve the right to alter specifications without prior notice.