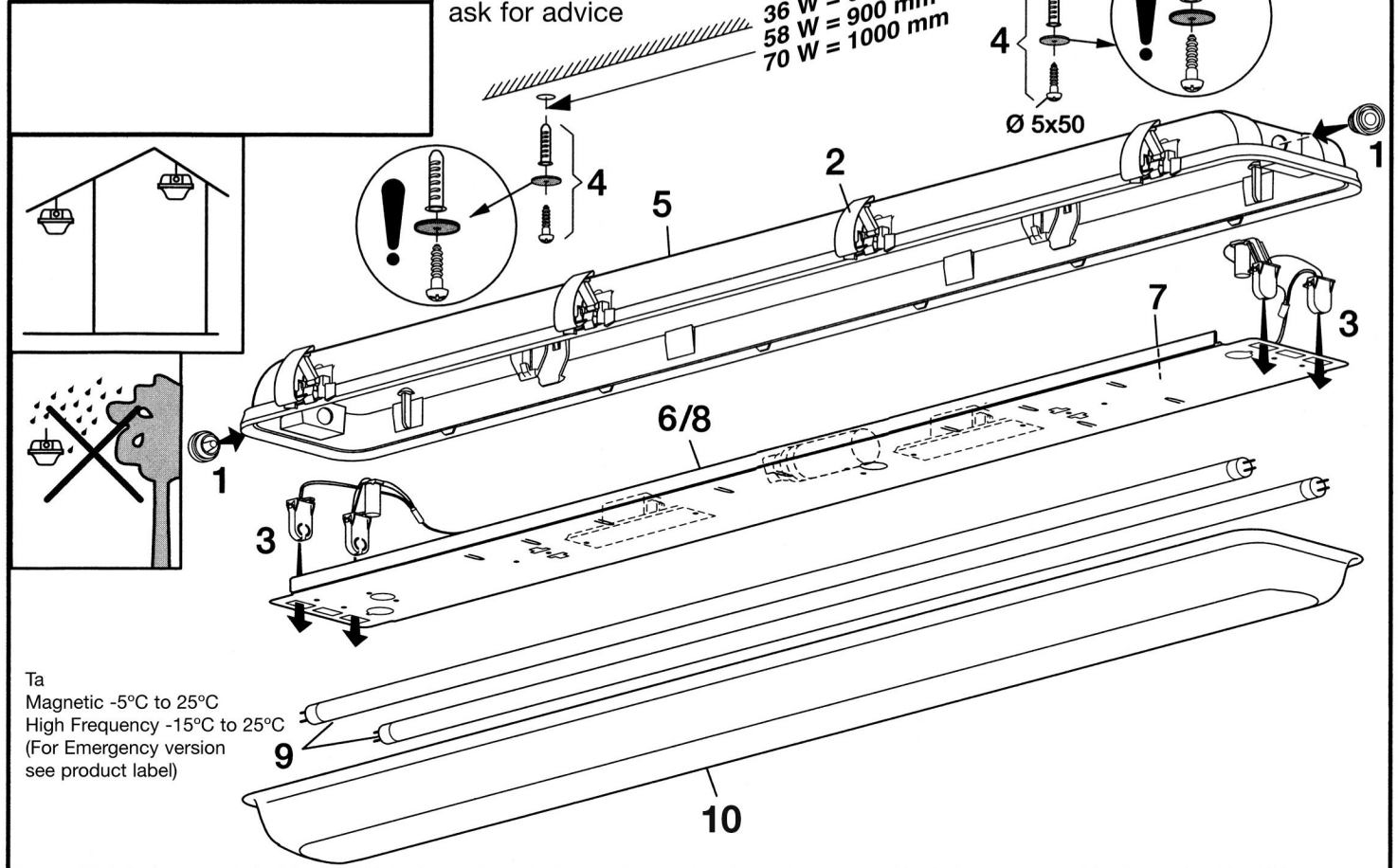
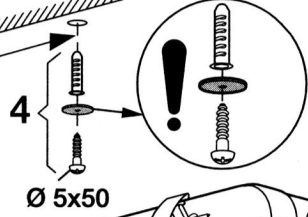


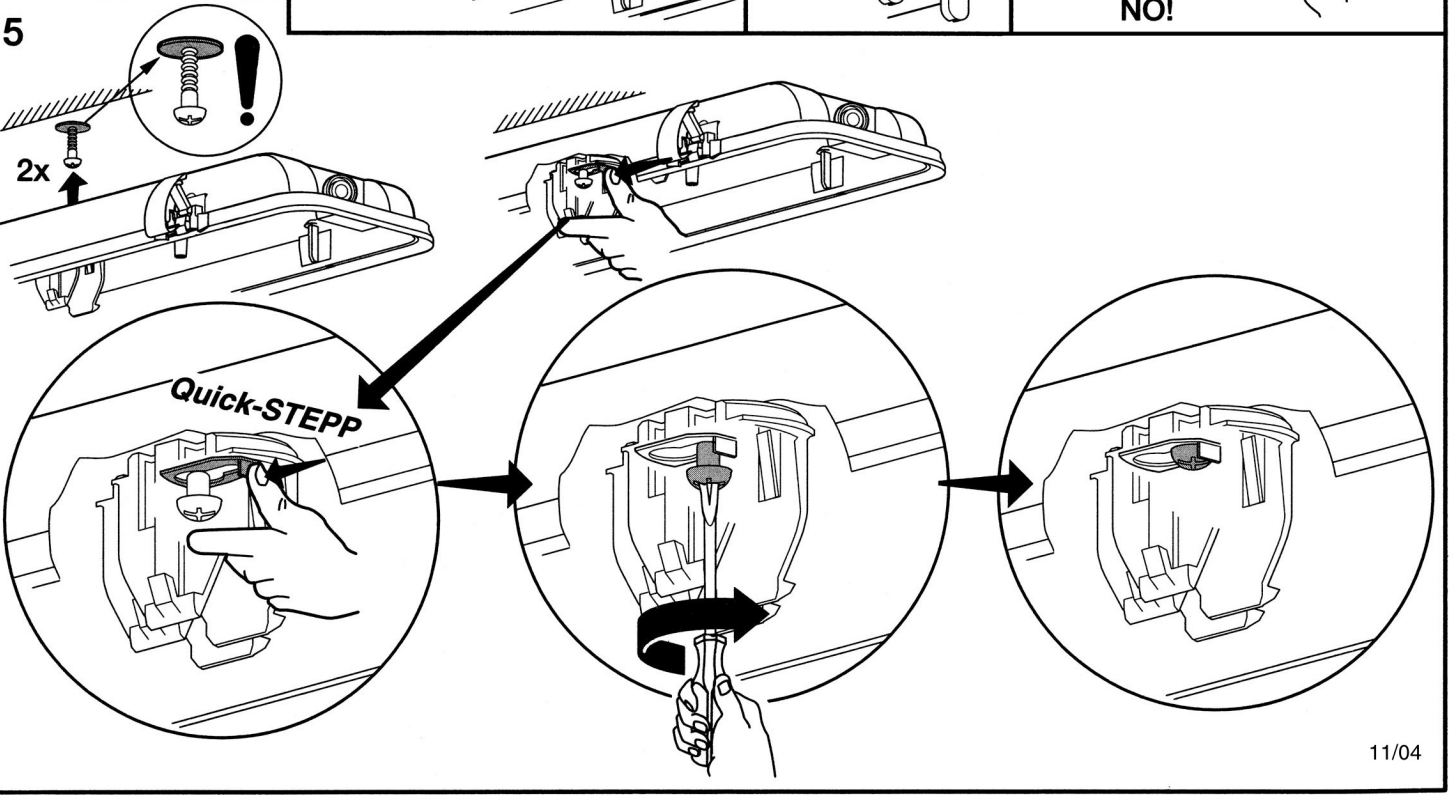
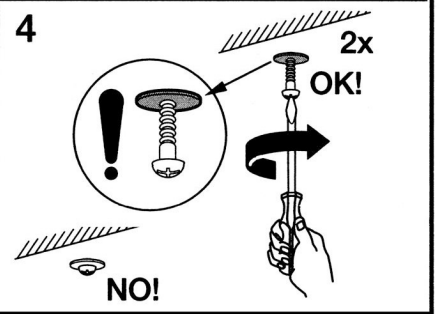
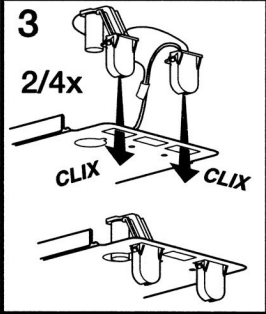
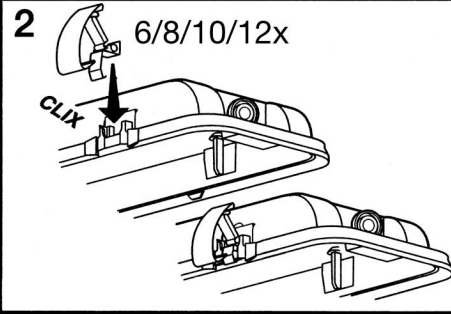
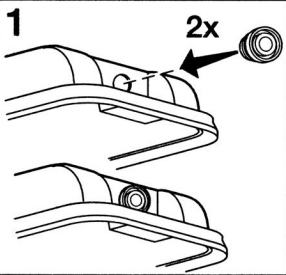
INSTALLATION AND WIRING INSTRUCTIONS

If chemical resistance is required please ask for advice

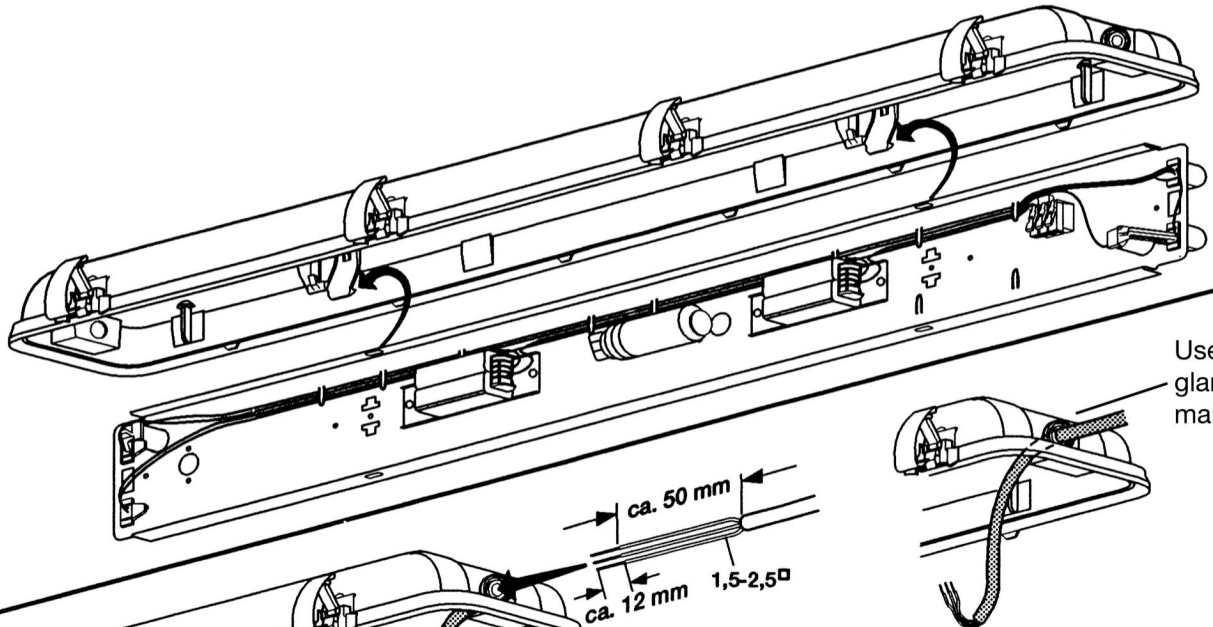
18 W = 450 mm
36 W = 660 mm
58 W = 900 mm
70 W = 1000 mm



Ta
Magnetic -5°C to 25°C
High Frequency -15°C to 25°C
(For Emergency version see product label)

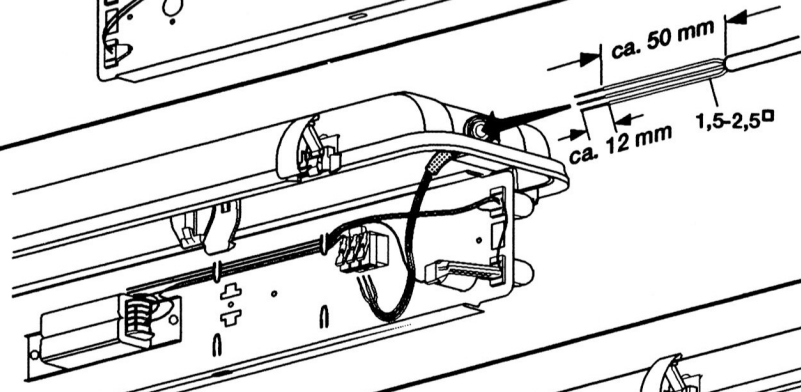


6

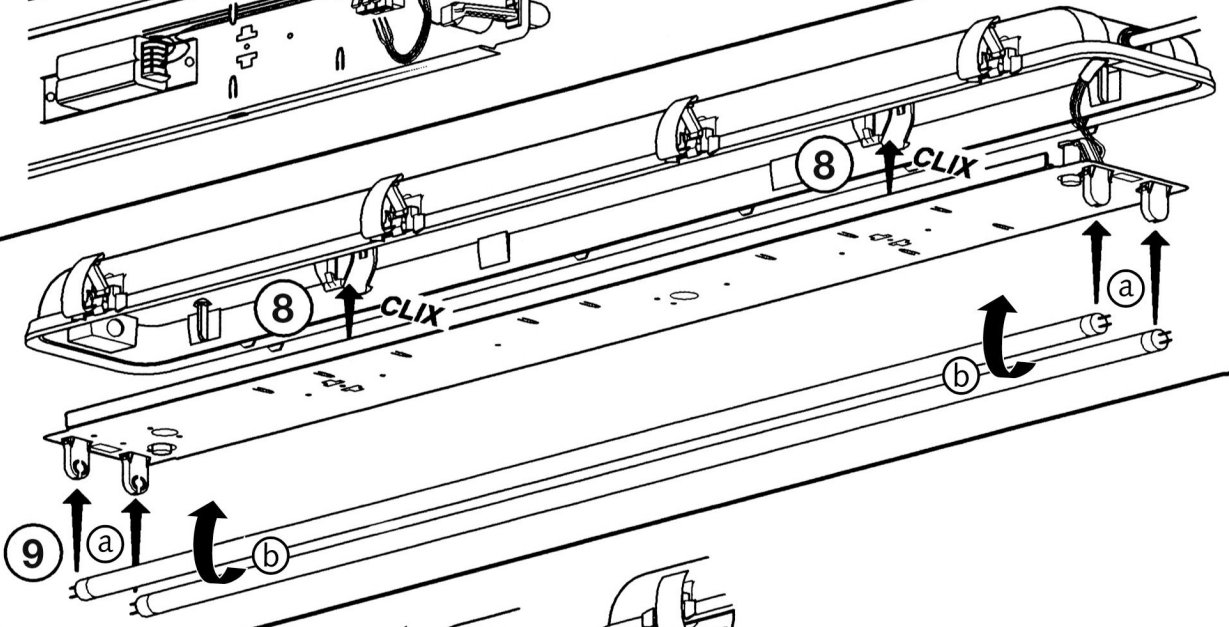


Use IP65 gland to suit mains cable

7



10



18 W = 227 mm
 36 W = 627 mm
 58 W = 862 mm
 70 W = 862 mm

min. 4 mm

WARNING - This luminaire must be earthed

Option !
 Max. 10A > 140° C (EVA/Silicon)
 HO5G, HO7G / HO5S, HO7S