


Bathroom Flush light

This light fitting should only be installed by a qualified electrician.

Important!

This light fitting must be connected to the supply earth. If your lighting circuit does not have an earth, ask a qualified electrician to provide an earth facility. Light fittings should be connected to a 5 amp fused circuit. This light fitting is suitable for indoor use only.

Fittings marked with this symbol:  are not suitable for mounting on Flammable surfaces, (e.g. Polystyrene ceiling tiles and Wood based materials)

Before Starting

Please read through these instructions before commencing work, and keep them for future reference.
Please Take Extreme Care When Carrying Out These Instructions

Warning!

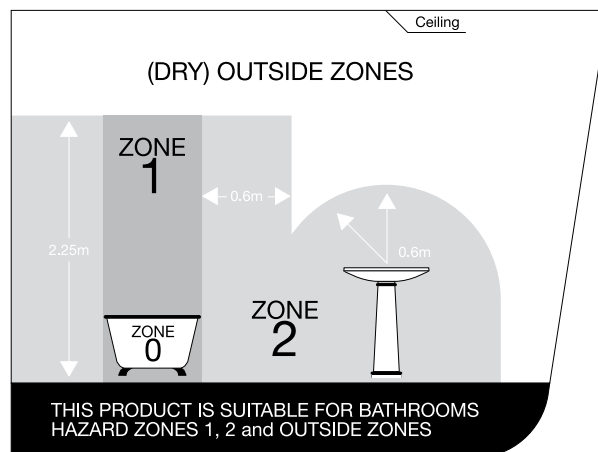
Always switch off electricity supply at the mains during installation and maintenance. We recommend that the fuse is withdrawn or the circuit breaker is switched off whilst work is in progress. Do not just turn off at the wall switch. All fittings must be installed in accordance with current Building Regulations and IEE Wiring Regulations.

Location of Installation

This fitting is designed for use in bathrooms. It has special protection against the ingress of moisture and is an IP44 rated fitting.

This product is suitable for use in Zone 1, except where water jets are likely to be used, Zone 2, and outside Zones. (Ceiling use only).

If this unit is being fitted in a bathroom or shower room, a 30mA RCD must be used - in accordance with IEE regulations.



•Full details can be found in the current IEE Wiring Regulations (BS7671)

Fixing Instructions

Make sure you have the following items which are required to install this light fitting:

Small electrical screwdriver, cross head screwdriver & insulation tape.

The installation of this fitting will be much easier with the help of an assistant.

Step 1

Existing ceiling roses must be completely removed before installation of a new product. Before removing the existing fitting or ceiling rose, carefully note the position of each set of wires. Where a ring/loop circuit exists there will be a fourth set of wires (usually red) that are not connected to the L, N, or E. of the fitting. This circuit must be kept together in the 4th terminal of the connection block, and insulated from the fitting and the other wires.

The ring/loop will remain live unless isolated at the mains or circuit breaker regardless of the position of the wall switch.

Step 2 - see overleaf for diagram

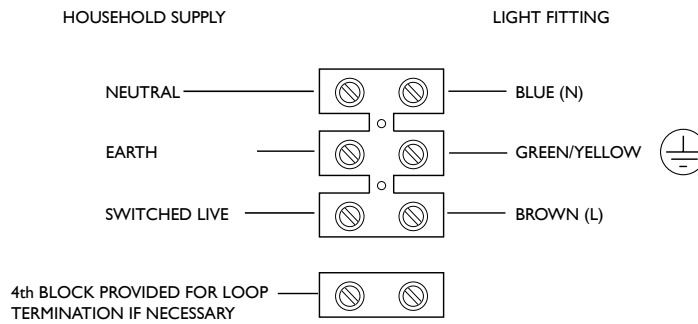
Remove the shade (A) from the product by unscrewing the finial screws (C) and removing. Ensuring that the product will be fixed to a joist, mark the position of the fixing holes.

Thread the household cable through the flex hole and fix the ceiling plate to the ceiling using the screws supplied. Take care not to trap or damage any concealed wiring and pipes.

Check that all packaging has been removed and ensure the protective film has been removed from the aluminium heat shield behind the lamp holder.

Step 3

Please note that the IEE Wiring Regulations (BS 7671) are changing the colours of cable used for fixed wiring for all new electrical installations.
Having identified the household wiring from your existing light fitting, connect to the connection block inside the product in the following way:



Check that....

- You have correctly identified the house wires.
- The connections are tight.
- No loose strands have been left out of the connection block.

Step 4

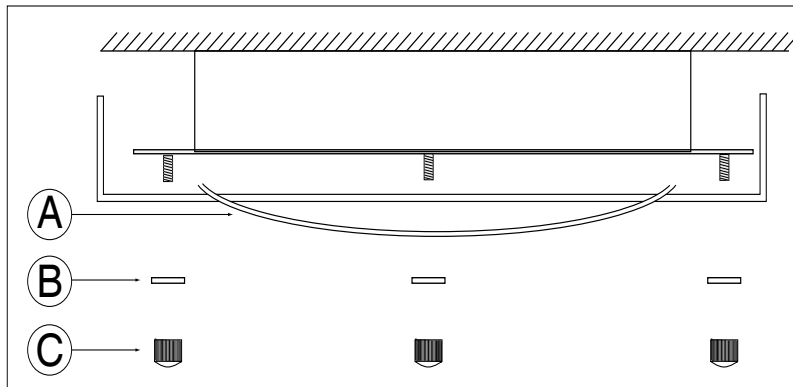
When completed, ensure that there are no bare or loose strands of wire exposed, and cover all exposed areas of the connection block with 2 layers of insulation tape.

Fitting/Replacing the bulb

Always allow the bulb to cool before touching. Fit the recommended 25W G9 Mains halogen bulb. Do not exceed the wattage or use a different shape of bulb as this may cause your light fitting to overheat. Use a soft cloth when handling the bulb - contact with bare hands can reduce its life.

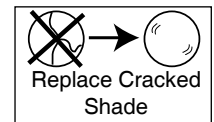
Attaching the shade

To attach the shade to the product, ensure that the seal is correctly fitted around the edge of the glass shade. Place it over the ceiling cover and refit the brushed chrome bezel. Ensuring that the rubber washers (B) are fitted, reattach the finials (C) to secure the shade. Do not overtighten.



Glass Shade

The glass shade must be replaced if it becomes cracked or damaged as it maintains the IP44 rating. Do not use product without glass shade attached.



Step 5

Replace fuse or circuit breaker and switch on. Your light is now ready for use.

Care and cleaning

Finish - We recommend cleaning with a soft dry cloth. Do not use abrasive materials as these will damage the finish.
Glass shade - Clean with a damp cloth. Do not use abrasive materials as these will damage the finish.

Safety Information

For your safety, always switch off the supply before changing lightbulbs, cleaning or removing shades.