

HALF LANTERN

IP44

A traditional wall mounted half lantern

Classic design Half Lantern in vandal and weather resistant polycarbonate.

The lantern is designed to be fitted near to doorways to optimise illumination for entrance areas, with this location in mind the PIR operates at 6 metres to reduce the number of nuisance activations.



- Easy to install.
- IP44.
- PIR: Day time walk test.
- Shatter-proof polycarbonate detector.
- PIR range of 6 metres.
- 110° angle of detection.
- Designed to BS EN 60598.

Material

- Body: Vandal resistant polycarbonate self-extinguishing fire properties in black / white / titanium / other colours on request.
- Windows: Vandal resistant polycarbonate in clear (or premium opal in LED range).

Installation

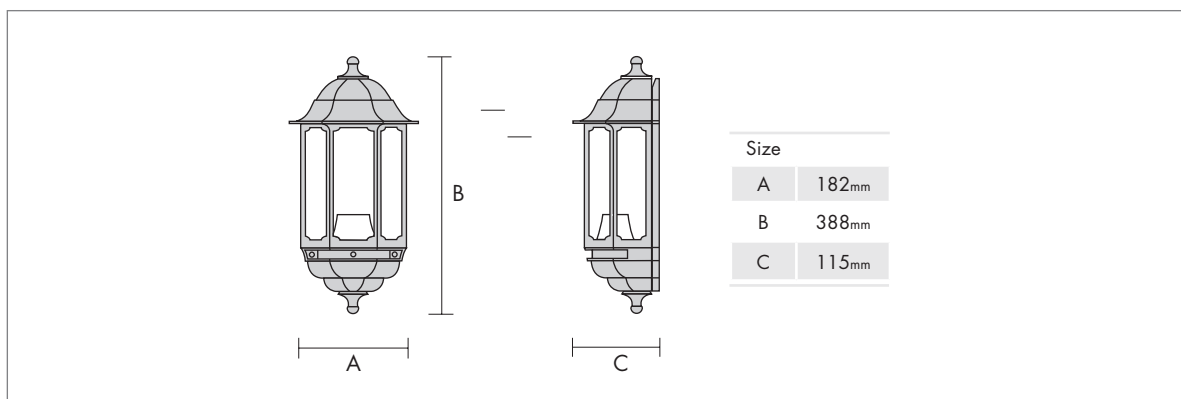
- Simple installation.
- Photocell option external use only.

Standards

- IP44.
- 'F' Mark.
- CE.
- BS EN 60598.
- Class I.



HALF LANTERN



Material

- Body: Vandal resistant polycarbonate self-extinguishing fire properties in black
- Windows: Vandal resistant polycarbonate in clear

Installation

- Simple installation.

Standards

- IP44.
- 'F' Mark.
- CE.
- BS EN 60598.
- Class I.