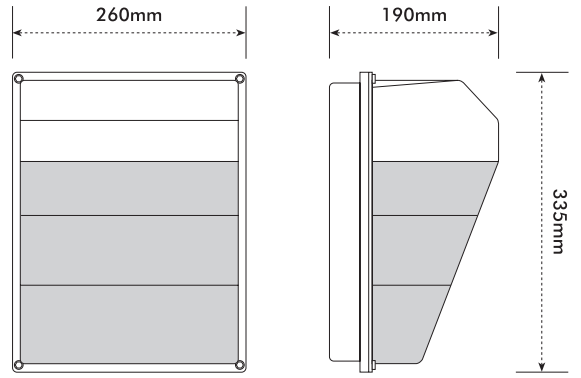


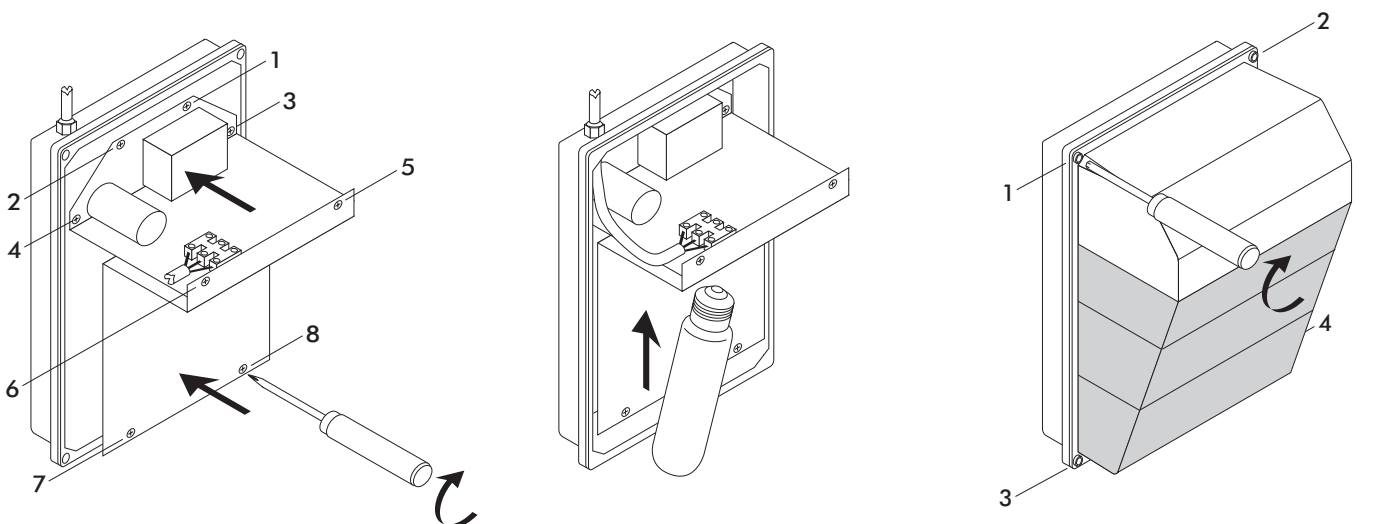
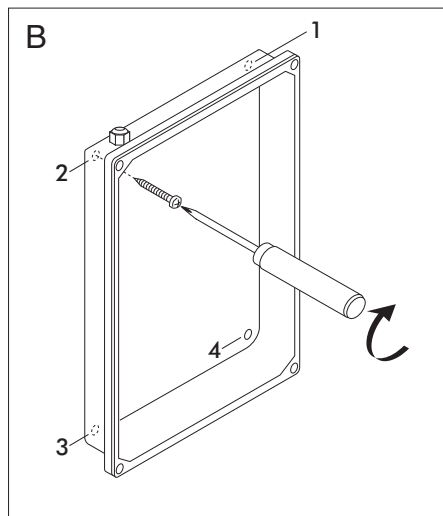
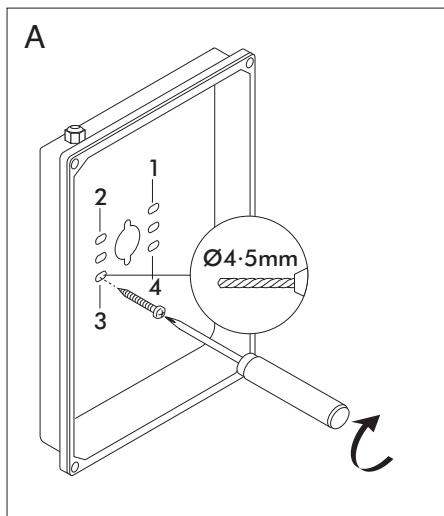
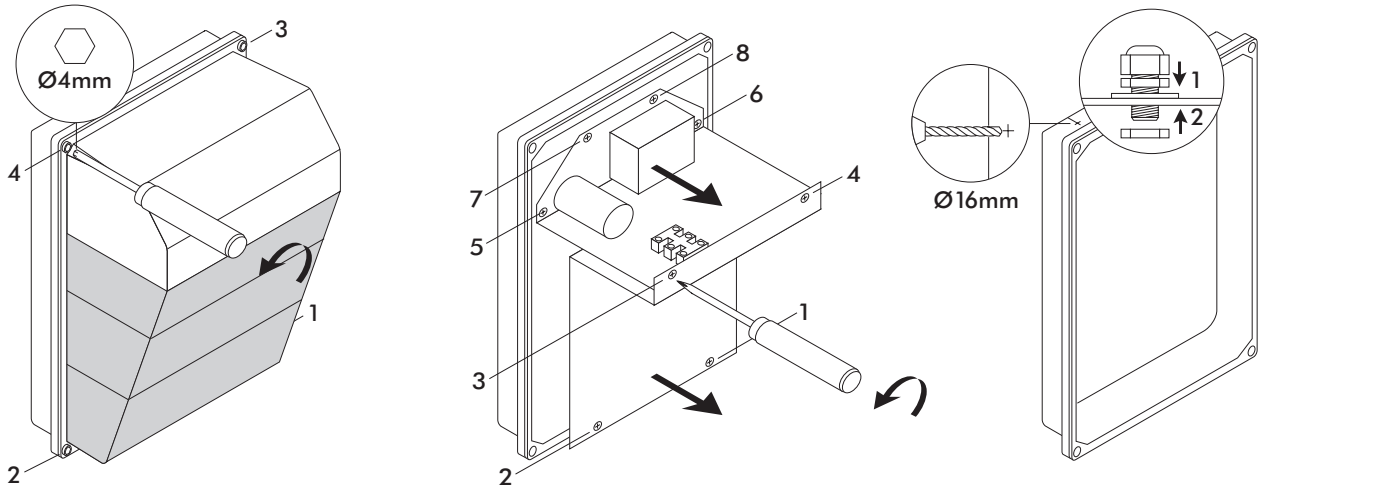


# UNIPACK



- CLASS I
- 230v - 240v
- E27
- Photocell = 0.02kilo
- UW70S 3.90kilo
- UW80M 3.90kilo
- UW70H 3.90kilo
- UW100H 3.90kilo
- UW28 3.20kilo
- UW38 3.30kilo

IP65 Ta 25 °c Suitable for indoors.



Must be wired in accordance with current IEE wiring regulations