



Standalone Night Sensor

Type: SA-PH Ref: 29790



INSTALLER GUIDE



V1.0 - 03/13
IQ-SA-PH-D-W

SECTION ONE

GENERAL INFORMATION

The unit features an integral daylight sensing photocell which will automatically switch connected lights on at dusk and off at dawn.

PARTS INCLUDED

- Photocell (Dusk/Dawn) Switch
- Instruction manual. Please keep safe for future reference.
- Accessory Pack.

TOOLS & PARTS NEEDED

- 3 core cable
- Electric/hand-held drill & bits.
- Terminal or Electricians screwdriver
- Wire cutters

Unit can be used indoors or outdoors, but is specifically designed for outdoor use.

Do not attempt to install during wet weather, if you are suffering from nausea or dizzy spells or if you are taking any medication with similar side effects.

If in any doubt, consult a qualified tradesperson or electrician.

SECTION TWO

INSTALLATION

The unit is suitable for connection to a 220-240V AC 50Hz electricity supply. It is suggested that 3-core round flexible cable of 1mm² gauge is used. An internal switch should be installed to switch the power to the unit ON & OFF. This allows the sensor to be easily switched off when not required or for maintenance purposes.

*** IMPORTANT ***

Switch off the electricity at the fuse box by removing the relevant fuse or switching off the circuit breaker before proceeding with the installation.

Open the unit by gently prying the "ears" on each side of the unit. See diagram A. This can be done without a tool, but if you prefer use a flat blade screwdriver, but be careful not to damage the clips. They should release easily. The front cover is hinged at the top, the front cover will swing open upwards.

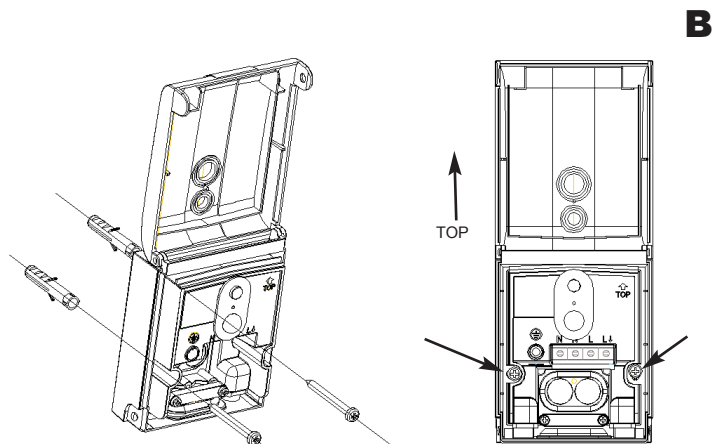
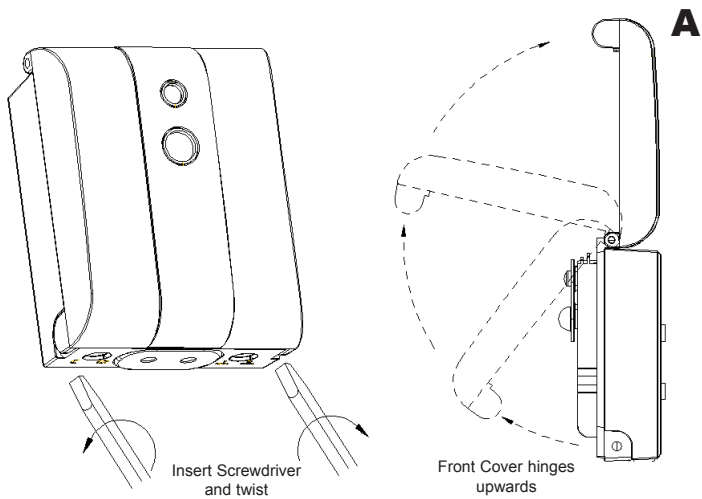
Using the unit as a template, drill the holes. Insert the wall plugs into the holes. See diagram B.

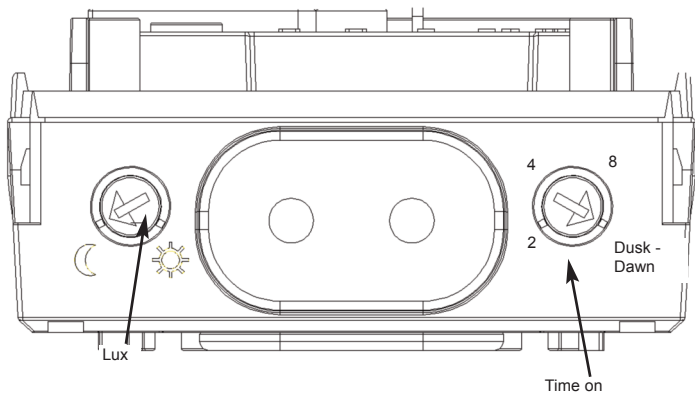
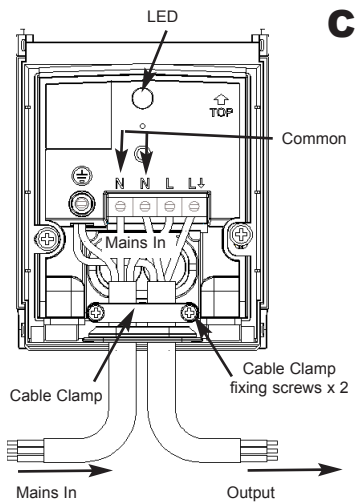
It is recommended that the grommet is pierced with a screwdriver to ensure a better seal.

Fix the unit to its mounting surface. Do not overtighten the mounting screws as this could damage the unit. If using a power screwdriver, use the lowest torque setting.

Remove the cable clamp. See diagram C

Pierce and pass the cables through the grommet. We recommend you use a screwdriver to pierce the grommet as this will give a better seal.





View on underside of unit shows adjustments

CONNECTION

Connect the incoming mains cable to the terminal block on the unit as follows (see connection diagram):

NEUTRAL (Blue)	N
EARTH (Green/Yellow)	
LIVE (Brown)	L

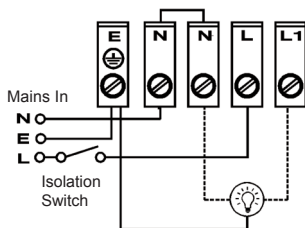
Connect the lighting load cable to the terminal block.

NEUTRAL (Blue)	N
EARTH (Green/Yellow)	
LIVE (Brown)	L1

Please note the the N terminals are common.
Ensure that the connections are secure.
Re-attach the cable clamp and secure.

Close the front cover

Installation is complete

CONNECTION DIAGRAM**SECTION THREE****OPERATION AND TESTING**

Set the adjustment knobs as follows:-
See diagram D.

Lux setting, fully anti-clockwise (daylight setting)
Time delay setting fully anti-clockwise (minimum 2 sec)

The Lux setting determines at which light level the switch will turn its connected load "ON"
Turning this setting fully anti-clockwise allows you to test the circuit during daylight.

Connect the unit to the mains and switch power on.

After a short delay, the unit will switch ON. This is indicated by the red LED see diagram C. Any attached lights will also illuminate.

SETTING UP FOR AUTOMATIC OPERATION

The DUSK (LUX) control determines the level of darkness required for the unit to start operating. The setting is best achieved by the procedure below:

Set the DUSK control knob fully anti-clockwise. Wait until darkness falls.

When the ambient light level reaches the level of darkness at which you wish the lamps to become operative (ie. At dusk), SLOWLY rotate the control in a clockwise direction until a point is reached where the lamp illuminates. Leave the control set at this point.

At this position, the unit should become operative at approximately the same level of darkness each evening. Observe the operation of the unit. If the unit is starting to operate too early (ie. when it is quite light), adjust the control slightly anti-clockwise. If the unit starts to operate too late (ie. only when it is very dark), adjust the control slightly clockwise. Continue to adjust until the unit operates as desired.

Set the Time On control knob as follows

The Time setting allows the user to determine how long after darkness level is reached the lights will illuminate. This can be set at 2, 4 and 8 hours or from dusk until dawn as required.

SECTION FOUR**TECHNICAL SPECIFICATIONS**

Power Supply	220-240V ~ 50Hz
Maximum Switching capacity	Incandescent 500W Tungsten Halogen 1000W Fluorescent 250W CFL (energy saving lamps) 200W
Time On Adjustment	2,4,8 hours and Dusk - Dawn
Environmental Protection	IP44 (suitable for outdoor use)

***** IMPORTANT *****

As of 1 January 2005, changes to the Building Regulations affect domestic electrical installations in England and Wales. You don't need to be a qualified electrician to make changes to your home's electrical system, but the work must be done in accordance with the Regulations.

Where you employ an electrician who is a member of a competent person self-certification scheme, they will be able to certify the work complies with the Regulations.

If you decide to carry out the work yourself we recommend that you make yourself aware of the Regulations before you begin and if you require any clarification you should contact your Local Authority Building Control Department.

Details of the Building Regulations can be obtained on the internet via the government website www.odpm.gov.uk/explanatory-booklet

SECTION FIVE**TROUBLESHOOTING GUIDE****PROBLEM****SOLUTION**

The sensor will not operate at night.

The level of ambient light in the area may be too bright to allow operation at the current DUSK setting. During the hours of darkness, adjust the DUSK control slowly clockwise until the lamp illuminates. Refer to previous section for more details.

Unit activates during the daytime.

Adjust the setting anti-clockwise to lower the level of ambient light required for activation.



WASTE ELECTRICAL PRODUCTS SHOULD NOT BE DISPOSED OF WITH HOUSEHOLD WASTE. PLEASE RECYCLE WHERE FACILITIES EXIST. CHECK WITH YOUR LOCAL AUTHORITY FOR RECYCLING ADVICE.