



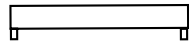
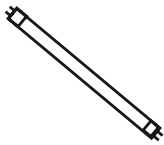
Installation and Safety Instructions



High Frequency Batten

27791
39156
52858
59347
59880
64262

These instructions are for your safety. Please read through them thoroughly before use and retain for future reference.

Parts and Fittings Supplied

Ref	Description	Illustration	Qty
A	Light fitting		1
B	Tube (2 for twin products)		1 (2 for twin products)

Ref	Description	Illustration	Qty
C	Wall plug		2
D	Screw		2

Tools Required (not supplied)

3mm Flat Blade Screwdriver
6mm Cross Headed Screwdriver
Power Drill
6mm masonry drill bit (for masonry only)
Pencil

Sundries / Extras (not supplied)

Insulating Tape
Earth Sleeving
Cavity Wall Fixings

Before You Start

- Check the pack and make sure you have all of the parts listed above.
- Decide on an appropriate location for your product (see siting instructions below).
- This product is not suitable for single-handed installation. An assistant will be required during fitting.
- **If you are in any doubt about installing this product, consult a qualified electrician.**

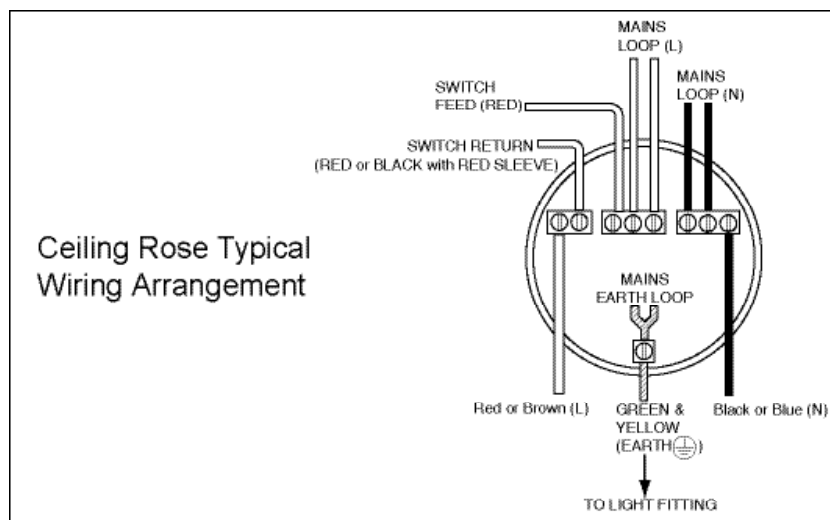
Siting Instructions

1. This product is only suitable for use in living areas (not for areas constantly subject to moisture).
2. This product is suitable for indoor use only. Not suitable for bathrooms.
3. Do **not** attach to surfaces which are damp, freshly painted or otherwise electrically conductive (e.g. metallic surfaces).

- The chosen location should allow for the product to be securely mounted (e.g. to a ceiling joist) and safely connected to the mains supply (lighting circuit).

Electrical Installation

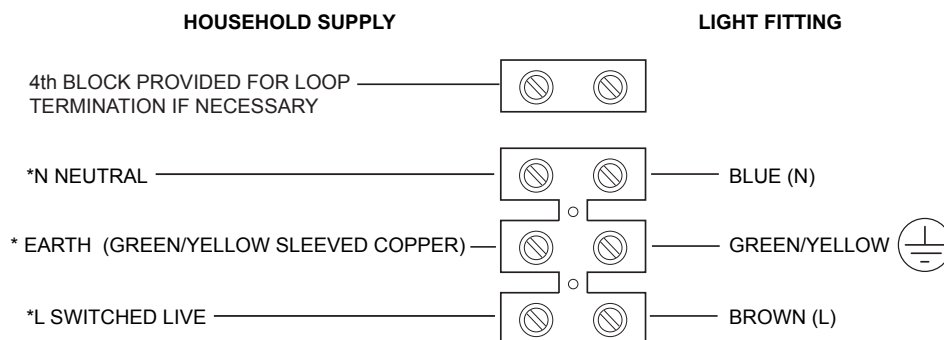
- IMPORTANT.** Always switch off the electricity supply at the mains during installation and maintenance. We recommend that the fuse is withdrawn or circuit breaker switched off at the distribution board whilst work is in progress (turning off the lightswitch is **not** sufficient). Attach a very clear note to the distribution board stating that you are working on the circuit.
- All fittings must be installed by a competent person in accordance with current IEE Wiring Regulations (BS7671) and local Building Regulations. If in doubt, consult a qualified electrician. Please refer to Electrical changes sheet showing new wiring cable colours.
- Decide on the location of the product (see siting above). Remove diffuser and tube if fitted (refer to tube replacement section). Loosen the screws on the front of the fitting behind the tube and separate the front cover from the lamp body. Using the fitting as a template, mark the location of the fixing holes on the mounting surface.
- Ensure there are no pipes or mains cables immediately behind the mounting points, then drill out the fixing holes (dia. 6mm) on the mounting surface and insert the wall plugs.
Note: The supplied fixings are suitable for fixing into masonry only. Other fixings should be obtained for cavity walls or plasterboard.
- Where this product is used to replace an existing light fitting, it will be necessary to remove any existing ceiling rose to allow clearance for installation. If this is the case, carefully note the existing position of each set of wires and transfer these to the terminal block supplied. Where a ring/loop circuit exists there may be an extra set of wires (unswitched live), which are not connected to L, N or E of the fitting. These must be connected together in the fourth (blank) terminal of the terminal block, or kept together in a separate approved connector (insulated from the rest of the fitting).
- Pass supply cable through central hole in rear of product and secure the fitting to the mounting surface with supplied screws (See Fig. 1).



- Connect the supply wires to the terminal block, opposite the corresponding wires from the fitting. See opposite. Ensure that connections are tight and no loose strands of wire are left out of the connector blocks. This product must be earthed – if no earth feed wire is available, consult an electrician.
It may be necessary for an assistant to hold the fitting in place whilst the connections are made. When completed, ensure that there are no bare or loose strands of wire exposed, and cover all exposed areas of the connection block with 2 layers of insulation tape.

Terminal Block Wiring Arrangement

*Refer to Electrical change sheet for old and new wiring cable colours



8. Fit tube as described below.

Tube Fitting & Replacement

1. Always disconnect from the mains before replacing tube.
2. If fitted, remove the diffuser by unscrewing and removing one end cap.
3. Rotate the tube approximately 90° and carefully remove and dispose of it safely.
4. Replace the tube using the correct type and wattage, see re-lamping label attached to the products and do not use any other type/ size other than that specified. Dispose of spent tube referring to the recycling advice below.
5. Replace diffuser and end cap, replace the fuse (if removed) and switch on.

Care & Use

- Always switch off or disconnect from the mains when cleaning the product.
- Wipe clean with a soft dry cloth. Never use scourers, abrasives or chemical cleaners. Do not allow moisture to come into contact with electric parts.
- Waste electrical products should not be disposed of with household waste. Please recycle where facilities exist. Check with your Local Authority for recycling advice.

