

ROBUS[®]

QUALITY PRODUCTS BY LED GROUP

RFS10165GZ Fire Rated 240V IP65 D/L

Please read instructions before commencing installation and retain for future reference.

Specification:

Recessed shower downlight with pressed steel body and die cast aluminium front bezel with intumescent seals to give 30, 60 and 90minutes fire protection in an appropriate 30, 60 and 90min rated ceiling.

Protection against electric shock: Class II double insulated, no earth required

Ingress protection: IP65 – Dust and jet proof

Lamp type: 240V GU/GZ10 Max. 50W

Dimensions: Cut-out Overall Diameter Depth
Ø78mm Ø88mm 135mm

Temperature range: -20°C < ta < 40°C

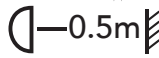
Supply: 240V



Luminaire designed to be used only with self-shielded tungsten halogen lamps or self-shielded metal halide lamps



Luminaires not suitable for covering with thermally insulating material



Suitable for mounting on normally flammable surface
Minimum distance from illuminated object is 0.5 metre



Against the use of cool-beam lamps

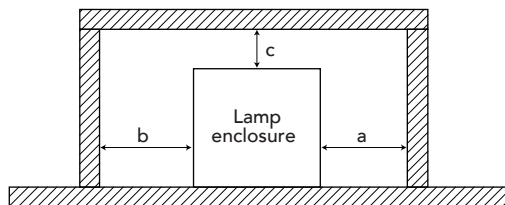
Complies with BS EN60598, BS5250, BS476 Parts 20, 21 & 23

Installation:

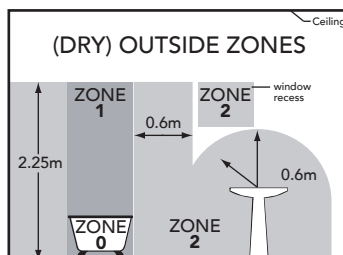
! Electrical products can cause death or injury, or damage to property. If in any doubt about the installation or use of this product, consult a competent electrician.

- 1 Ensure mains supply is switched off.
- 2 Mark ceiling with appropriate cut-out size.
- 3 Before cutting, ensure that the hole does not impinge on joists, pipe work, cables or other building services.
- 4 Ensure there is at least 100mm of free space around and 50mm above the luminaire. Do not cover the luminaire with thermal insulation.
- 5 Connect supply cables Live and Neutral to fitting terminals (polarity is unimportant). Do Not Earth!
- 6 Offer luminaire up to cut-out with the springs being held vertically. The luminaire is retained in position by the spring tension against the ceiling.
- 7 Lamp installation and replacement:

! Ensure mains supply is off. ! When operating the luminaire is too hot to touch. Switch off and allow to cool before undertaking any maintenance work. Pull front bezel downwards to remove. Pull lampholder off lamp pins and slide out of retaining brackets. Fit lampholder to new lamp and position lamp in retaining bracket at rear of front bezel so it is positioned approx 15 mm from the glass. Realign front bezel with it's location in the body before pushing it home.



a:100mm
b:100mm
c:50mm



This product is specially designed for installation in a bathroom. It is IP65 rated and can be fitted in Zone 1, Zone 2 and Outside (dry) zones of a bathroom - see diagram left. The bezel on this product provides the IP65 protection. The electrical parts of this product must be installed in a fully enclosed ceiling void with the bezel fitted to maintain the IP65 rating. Do not use the product without the bezel fitted.

The installation must be carried out by an electrician



Installation diagram:

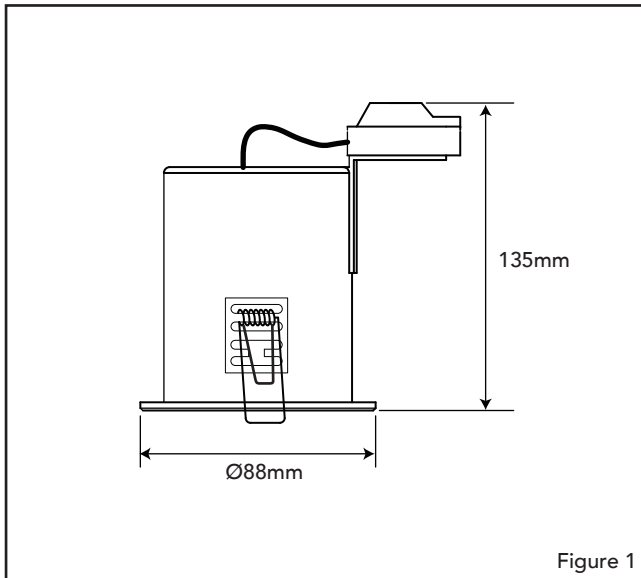


Figure 1

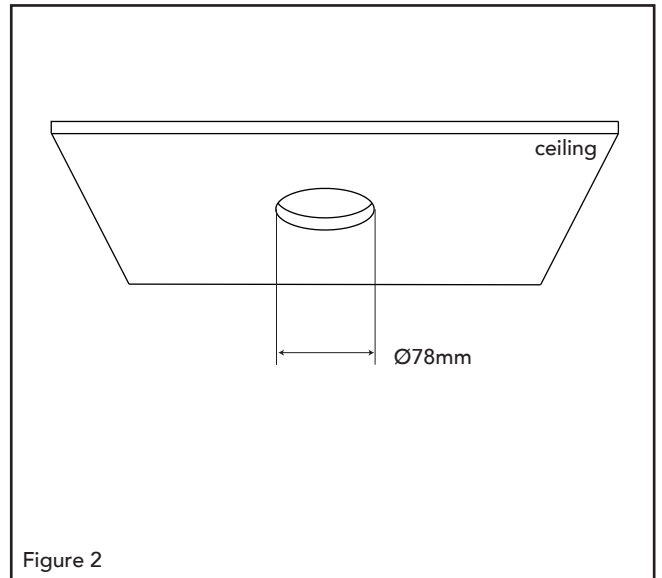


Figure 2

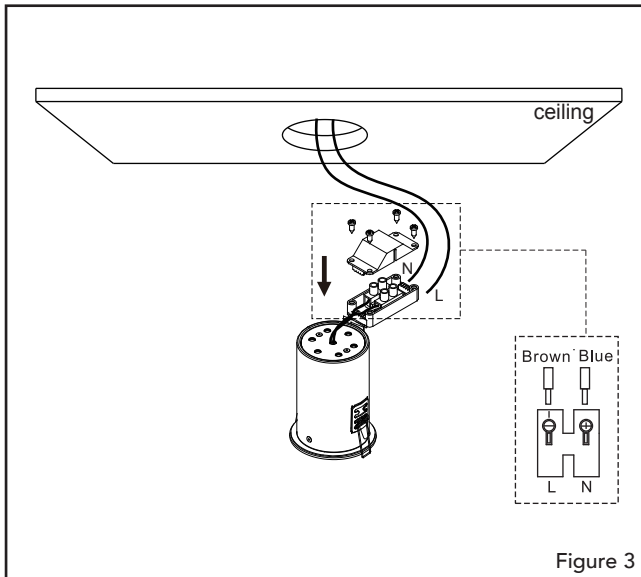


Figure 3

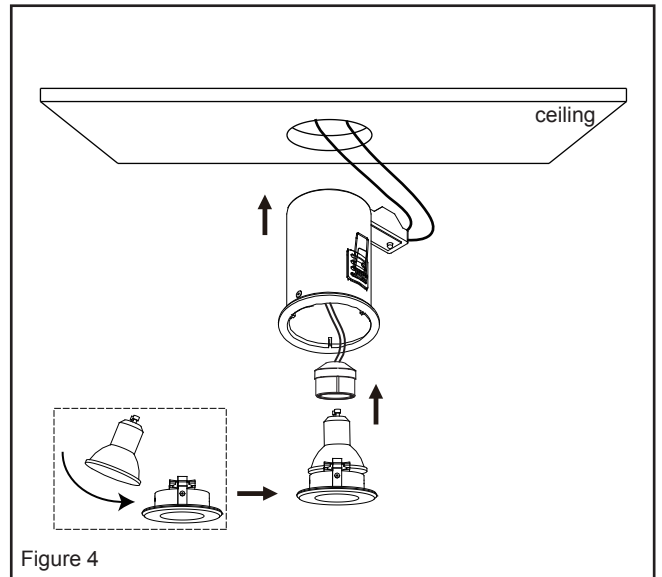


Figure 4

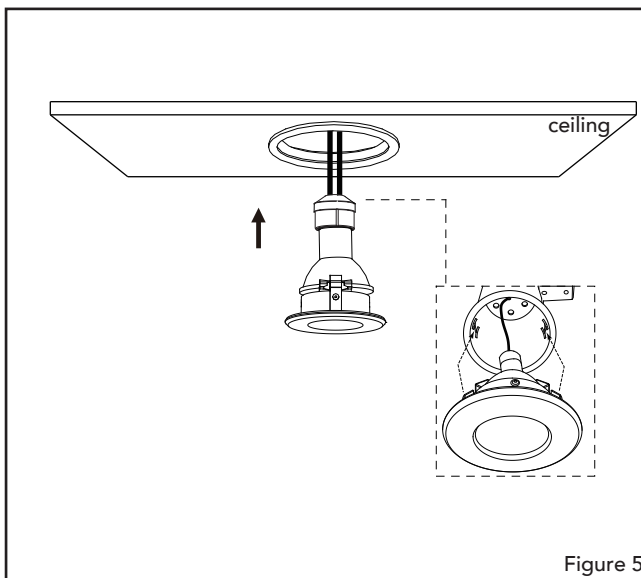


Figure 5

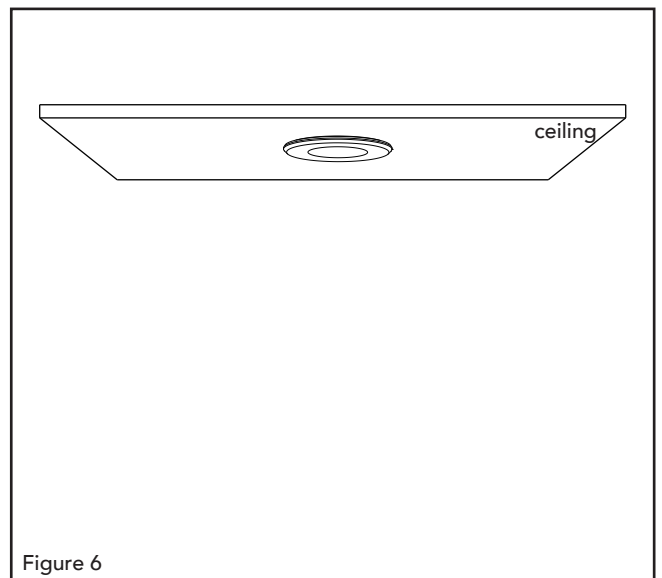


Figure 6

The Installation must be carried out by an electrician

