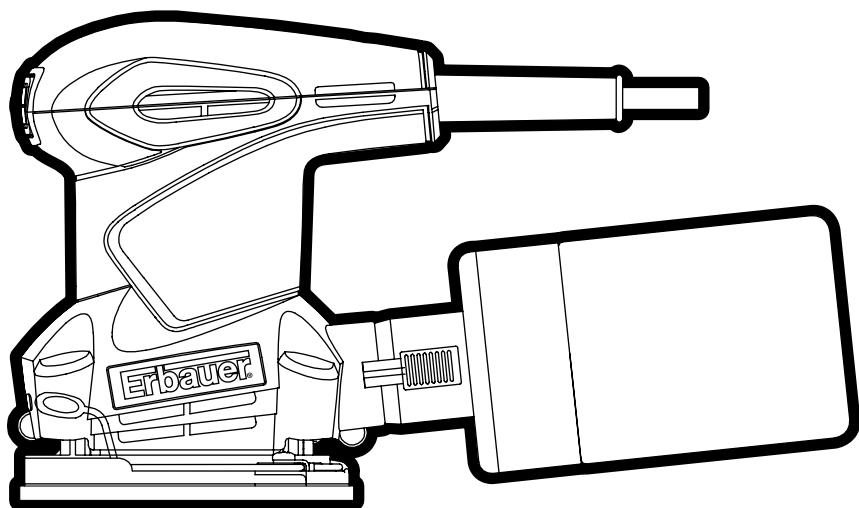


# Erbauer®



**ERB106SDR**

**2** WARRANTY  
**YEARS**

**240W PALM SANDER**



# Erbauer®

**Congratulations on your purchase of a quality power tool from Erbauer (UK) Ltd. This product should give you reliable service but for your peace of mind this Erbauer power tool does carries a 24-month guarantee, the terms of which are detailed below.**

**If this product develops a fault within the guarantee period contact your retailer.**

**Please retain this handbook in case you need to refer to safety, care or guarantee information in the future.**

## **GUARANTEE**

This **Erbauer** product carries a guarantee of 24 months. If your product develops a fault within this period, you should in the first instance contact the retailer where the item was purchased.

This guarantee specifically excludes losses caused due to:

- Fair wear and tear
- Misuse or abuse
- Lack of routine maintenance
- Failure of consumable items (such as batteries)
- Accidental damage
- Cosmetic damage
- Failure to follow manufacturer's guidelines
- Loss of use of the goods

This guarantee does not affect your statutory rights. This guarantee is only valid in the UK.

For further technical advice, spare parts or repair service (outside of guarantee) please contact the customer helpline number on 0845 607 6380.

**240W PALM SANDER**

# SAFETY INSTRUCTIONS



**WARNING!** Read all instructions. Failure to follow all instructions listed below may result in electric shock, fire and/or serious injury.

SAVE THESE INSTRUCTIONS

## 1. Work area

- a. Keep work area clean and well lit.** Cluttered and dark areas invite accidents.
- b. Do not operate power tools in explosive atmospheres, such as in the presence of flammable liquids, gases or dust.** Power tools create sparks which may ignite the dust or fumes.
- c. Keep children and bystanders away while operating a power tool.** Distractions can cause you to lose control.

## 2. Electrical safety

- a. Power tool plugs must match the outlet. Never modify the plug in any way. Do not use any adapter plugs with earthed (grounded) power tools.** Unmodified plugs and matching outlets will reduce risk of electric shock.
- b. Avoid body contact with earthed or grounded surfaces such as pipes, radiators, ranges and refrigerators.** There is an increased risk of electric shock if your body is earthed or grounded.
- c. Do not expose power tools to rain or wet conditions.** Water entering a power tool will increase the risk of electric shock.
- d. Do not abuse the cord. Never use the cord for carrying, pulling or unplugging the power tool. Keep cord away from heat, oil, sharp edges or moving parts.** Damaged or entangled cords increase the risk of electric shock.
- e. When operating a power tool outdoors, use an extension cord suitable for outdoor use.** Use of a cord suitable for outdoor use reduces the risk of electric shock.
- f. Use a Residual Circuit Breaker on all 230V Power tools.** This can help minimise the risk of an electrical shock if an earth fault or short circuits occurs.
- g. If using a power cable extension ensure that the cable is fully unwound and that its length is less than 30m.** Lengths over 30 m will effect the tools performance as a result of voltage drop.

## 3. Personal safety

- a. Stay alert, watch what you are doing and use common sense when operating a power tool. Do not use a power tool while you are tired or under the influence of drugs, alcohol or medication.** A moment of inattention while operating power tools may result in serious personal injury.
- b. Use safety equipment. Always wear eye protection.** Safety equipment such as dust mask, non-skid safety shoes, hard hat, or hearing protection used for appropriate conditions will reduce personal injuries.
- c. Avoid accidental starting. Ensure the switch is in the off-position**

**before plugging in.** Carrying power tools with your finger on the switch or plugging in power tools that have the switch on invites accidents.

**d. Remove any adjusting key or wrench before turning the power tool on.** A wrench or a key left attached to a rotating part of the power tool may result in personal injury.

**e. Do not overreach. Keep proper footing and balance at all times.** This enables better control of the power tool in unexpected situations.

**f. Dress properly. Do not wear loose clothing or jewellery. Keep your hair, clothing and gloves away from moving parts.** Loose clothes, jewellery or long hair can be caught in moving parts.

**g. If devices are provided for the connection of dust extraction and collection facilities, ensure these are connected and properly used.** Use of these devices can reduce dust related hazards.

#### **4. Power tool use and care**

**a. Do not force the power tool. Use the correct power tool for your application.** The correct power tool will do the job better and safer at the rate for which it was designed.

**b. Do not use the power tool if the switch does not turn it on and off.** Any power tool that cannot be controlled with the switch is dangerous and must be repaired.

**c. Disconnect the plug from the power source before making any adjustments, changing accessories, or storing power tools.** Such preventive safety measures reduce the risk of starting the power tool accidentally.

**d. Store idle power tools out of the reach of children and do not allow persons unfamiliar with the power tool or these instructions to operate the power tool.** Power tools are dangerous in the hands of untrained users.

**e. Maintain power tools. Check for misalignment or binding of moving parts, breakage of parts and any other condition that may affect the power tools operation. If damaged, have the power tool repaired before use.** Many accidents are caused by poorly maintained power tools.

**f. Keep cutting tools sharp and clean.** Properly maintained cutting tools with sharp cutting edges are less likely to bind and are easier to control.

**g. Use the power tool, accessories and tool bits etc., in accordance with these instructions and in the manner intended for the particular type of power tool, taking into account the working conditions and the work to be performed.** Use of the power tool for operations different from intended could result in a hazardous situation.

#### **5. Service**

**a. Have your power tool serviced by a qualified repair person using only Safety Instructions identical replacement parts.** This will ensure that the safety of the power tool is maintained.

## HEALTH ADVICE



**WARNING!** When drilling, sanding, sawing or grinding, dust particles will be produced. In some instances, depending on the materials you are working with, this dust can be particularly harmful to you (e.g. lead from old gloss paint).

You are advised to consider the risks associated with the materials you are working with and to reduce the risk of exposure. You should:

- Work in a well-ventilated area.

- Work with approved safety equipment, such as those dust masks that are specially designed to filter microscopic particles.

## ADDITIONAL SAFETY RULES - FOR PALM SANDERS

1. Never use this sander for wet sanding or liquid polishing. Failure to follow this rule may result in risk of electrical shock.

2. Always wear eye protectors when using this sander.

3. Always wear a dust mask when using this sander.

4. Always inspect and remove all nails and screws etc from timber before sanding.

5. Always check walls and ceiling to avoid hidden power cables and pipes. A metal detector can be obtained from any good DIY store for this purpose.

6. If possible, ensure the workpiece is firmly clamped to prevent movement.

7. Your sander is a hand held tool, do not clamp into a fixed position.

8. Never stop the sander by applying a force to the base plate.

9. Only use sanding paper in good condition. Do not use torn or worn sanding paper.

10. Do not sand magnesium material due to the risk of fire.

11. Do not sand material including asbestos due to a health risk.

12. Do not sand lead based paint due to the risk of lead poisoning, test any paint work with a lead paint test kit to confirm if lead paint is present.

13. Do not eat or drink in the working area of the sander.

14. Do not allow people to enter the working area without wearing a dust mask.

15. Where possible, seal off the working area to contain the dust for later removal.



**WARNING!** Some dust created by using power tools contains chemicals known to cause cancer and birth defects or other reproductive harm. Some examples of these chemicals are:

1) Lead from lead-based paint

2) Crystalline silica from bricks and cement and other masonry products

3) Arsenic and chromium from chemically-treated lumber

Your risk to these exposures varies, depending on how often you do this type of work.

To reduce your exposure to these chemicals:

1) Work in a well ventilated area

2) Work with approved safety equipment, such as those dust masks that are specifically designed to filter out microscopic particles.

## VIBRATION

The European Physical Agents (Vibration) Directive has been brought in to help reduce hand arm vibration syndrome injuries to power tool users. The directive requires power tool manufacturers and suppliers to provide indicative vibration test results to enable users to make informed decisions as to the period of time a power tool can be used safely on a daily basis and the choice of tool.

Further Advice can be found at [www.hse.gov.uk](http://www.hse.gov.uk)


Vibration total values (triax vector sum) determined according to EN 60745:	
Work mode description 1	Vibration emission value $a_h = 4.86 \text{ m/s}^2$
	Uncertainty $K = 1.5 \text{ m/s}^2$

The declared vibration emission value should be used as a minimum level should be used with the current guidance on vibration.

Calculating the actual period of the actual period off use can be difficult and the HSE website has further information.

The declared vibration emission been measured in accordance with a standardised test stated above and may be used to compare one tool with another

The declared vibration emission value may also be used in a preliminary assessment of exposure.


 **Warning:** The vibration emission value during actual use of the power tool can differ from the declared value depending on the ways in which the tool is used dependant on the following examples and other variations on how the tool is used:-  
How the tool is used and the materials being cut or drilled.

The tool being in good condition and well maintained

The use the correct accessory for the tool and ensuring it is sharp and in good condition.

And the tool is being used as intended by its design and these instructions.

**This tool may cause hand-arm vibration syndrome if its use is not adequately managed**

 **Warning:** identify safety measures to protect the operator that are based on an estimation of exposure in the actual conditions of use (taking account of all parts of the operating cycle such as the times when the tool is switched off and when it is running idle in addition to the trigger time). Note The use of other tools will reduce the users' total working period on this tool.

Helping to minimise your vibration exposure risk.

ALWAYS use sharp chisels, drills and blades

**240W PALM SANDER**

Maintain this tool in accordance with these instructions and keep well lubricated (where appropriate)

Avoid using tools in temperatures of 10C or less

Plan your work schedule to spread any high vibration tool use across a number of days.

### Health Surveillance

All employees should be part of an employer's health surveillance scheme to help identify any vibration related diseases at an early stage, prevent disease progression and help employees stay in work.

## SYMBOLS



Read the manual



Warning



WEEE marking

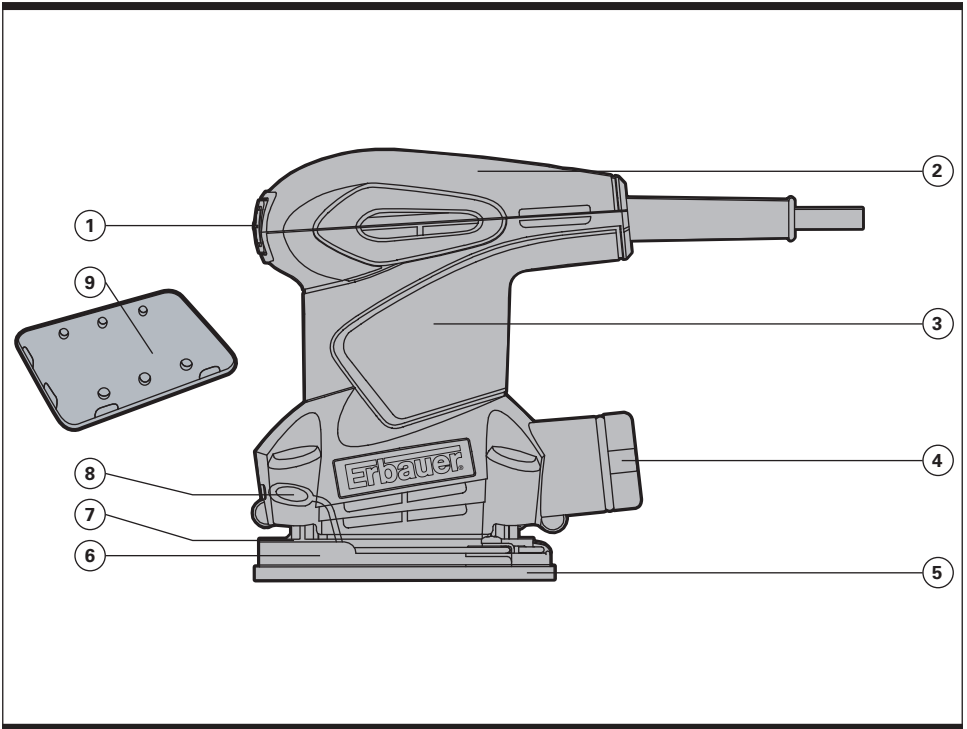


Wear dust mask, eye & ear protection



Double insulation





---

**1. ON-OFF SWITCH**

---

**2. PALM GRIP HANDLE**

---

**3. MOTOR HOUSING**

---

**4. DUST COLLECTION OUTLET**

---

**5. BASE PLATE**

---

**6. CLAMP LEVER LOCK**

---

**7. SAND PAPER CLAMP**

---

**8. CLAMP LEVER**

---

**9. PAPER PUNCH**

---

**10. SANDING PAPER (See fig.A)**

---

**11. DUST BAG (See fig.B)**

---

**240W PALM SANDER**

## TECHNICAL DATA

Rated voltage:	230-240 V~50Hz
Rated power:	240W
Rated no load speed:	14000min <sup>-1</sup>
Dimension of base:	100 x 110 mm
Protection class:	□/II
Weight:	1.3 kg
Orbital dia:	1.6 mm

## ACCESSORIES

<b>Dust bag</b>	<b>1pc</b>
<b>Dust extraction adaptor</b>	<b>1pc</b>
<b>Sanding paper</b>	<b>2pcs</b>
<b>Paper punch</b>	<b>1pc</b>

# OPERATION INSTRUCTIONS



**NOTE:** Before using the tool, read the instruction book carefully.

## 1. CHANGING THE SANDING PAPER (See Fig A)

Always when fitting or removing sandpaper ensure that the sander is switched off and the plug is removed.

To remove the sanding paper, lift up the clamp lever (8) and move away from the clamp lever lock (6). The sanding paper clamp (7) is now loose. Repeat with the other clamp on the opposite side of your sander.

To fit new sanding paper, insert approximately 5mm of one end of the sanding paper under the sanding paper clamp (7) until the paper contacts the housing wall. Lift up the clamp lever (8) and move it to the lever lock position. Press the sanding paper around the base plate shape as tight as possible and fix the end under the other sanding paper clamp (7).

Check the sanding paper is square to the base plate. If not correct, remove and refit it again. Always, ensure the sanding paper is tight over the base plate and secured underneath both locked clamps(7). This will ensure safe and efficient sanding performance.

## 2. PAPER PUNCH

If using sanding paper without dust holes, use the paper punch (9) to perforate the holes to ensure correct dust extraction. Position the punch over the base-plate (5) with the punch sides on the edges of the base-plate.

Press the punch into the base-plate to punch holes into the sanding paper. Then remove the punch and check all the holes have been formed correctly.

## 3. USING THE DUST BAG (See Fig B)

Your sander is equipped with a dust collection bag. To attach, insert the dust collection bag into the back of the sander until it is secure.



### Caution:

To prevent the possibility of sanding dust or foreign body being thrown into your face or eyes, never attempt to use your sander without the dust box/bag properly installed.

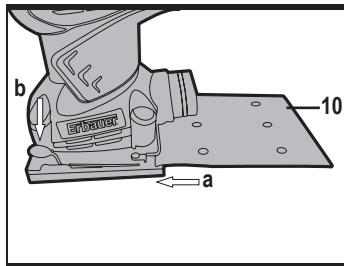


Fig A1

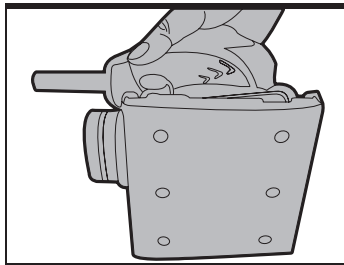


Fig A2

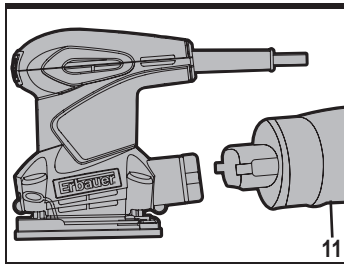
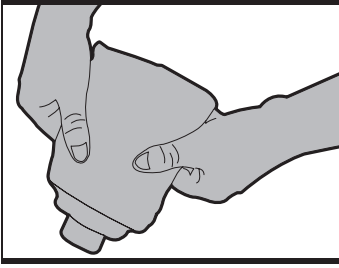
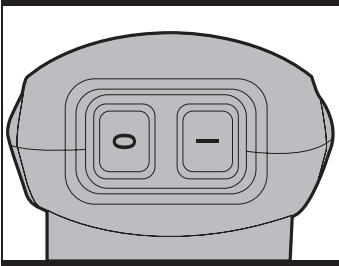


Fig B



**Fig C**



**Fig D**

#### **Empty dust bag (See Fig C)**

For more efficient operation, empty dust bag every 5-10mins. This will permit the air to flow through the bag better. To empty the dust bag, out dust into a plastic or similar bag for safe disposal.

#### **4. OPERATING THE SWITCH (See Fig D)**

To start your sander, depress the protective cover over the switch at the position marked "I". To stop your sander, depress the protective cover at the position marked "0".

#### **5. FLUSH SANDING FACILITY**

Your sander can sand flush on three sides of the baseplate which allows easy access to corners and edges of mouldings.

#### **6. ORBITAL SANDING**

Your sander operates in small circular rotations which allows efficient material removal. Operate your sander in long sweeping movements across your workpiece and even across the grain. For a finer finish, always use a fine grain sanding paper and only move the sander in the direction of the grit and never across the grain. Do not allow your sander to remain in the same position otherwise you will remove material and create an uneven surface.

### **WORKING HINTS FOR YOUR PALM SANDER**

If your power tool becomes too hot, especially when used at low speed, set the speed to maximum and run it with no load for 2-3 minutes to cool the motor. Avoid prolonged usage at very low speeds. Always use sand paper that is suitable for the material you want to sand. Always ensure the work-piece is firmly held or clamped to prevent movement. Any movement of the material may affect the quality of the sanding finish. Start your sander before sanding and turn it off only after you stop sanding. For the best results, sand wood in the direction of the grain. Do not start sanding without having the sandpaper fitted. Do not allow the sandpaper to wear away it will

damage the base-plate. The guarantee does not cover base-plate wear and tear. Use coarse grit paper to sand rough surfaces, medium grit for smooth surfaces and fine grit for the final surfaces. If necessary, first make a test run on scrap material. Use only good quality sandpaper. The sandpaper controls the sanding efficiency, not the amount of force you apply to the tool. Excessive force will reduce the sanding efficiency and cause motor overload. Replacing the sandpaper regularly will maintain optimum sanding efficiency.

## **MAINTENANCE**

Remove the plug from the socket before carrying out any adjustment, servicing or maintenance. Your power tool requires no additional lubrication or maintenance. There are no user serviceable parts in your power tool. Never use water or chemical cleaners to clean your power tool. Wipe clean with a dry cloth. Always store your power tool in a dry place. Keep the motor ventilation slots clean. Keep all working controls free of dust. Occasionally you may see sparks through the ventilation slots. This is normal and will not damage your power tool. If the supply cord is damaged, it must be replaced by the manufacturer, its service agent or similarly qualified persons in order to avoid a hazard.

## **TROUBLESHOOTING**

- 1.If your sander will not operate, check the power at the mains plug.
- 2.If the sander does not abrade surface, check the sanding paper. If the sanding paper have been worn, replace the new paper and try again. The paper must be kept in a dry place; If it is allowed to become damp, the abrasive particles will lose their adhesion to the backing paper and will not abrade.
- 3.If the sander does not move smoothly, The sanding paper may be loose, damaged or wrinkled. Replace and try again.
- 4.If a fault can not be rectified return the sander to an authorised dealer for repair.

## ENVIRONMENTAL PROTECTION



Waste electrical products should not be disposed of with household waste. Please recycle where facilities exist. For further information visit [www.recycle-more.co.uk](http://www.recycle-more.co.uk).

## PLUG REPLACEMENT

The fuse in the main plug of your power tool should always be replaced with one of identical rating.

Check the voltage given on your power tool matches the supply voltage.

The power tool is supplied with a fitted plug, however if you should need to fit a new plug follows the instruction below.

### IMPORTANT

The wire in the mains lead are coloured in accordance with the following code:

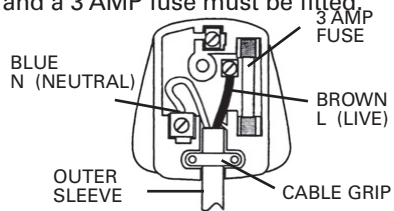
**Blue ---Neutral**

**Brown ---Live**

The wire that is coloured blue must be connected to the terminal that is marked with the letter **N**.

The wire that is coloured brown must be connected to the terminal that is marked with the letter **L**.

A 13AMP (BS1363 or BS1363/A) plug must be used and a 3 AMP fuse must be fitted.



**240W PALM SANDER**

# Erbauer®

## Declaration of Conformity

We, Importer  
**Erbauer (UK) Ltd BA22 8RT**

Declare that the product  
**240W PALM SANDER**  
**ERB106SDR**

Complies with the essential health and safety requirements of the following directives:

Machinery Directive **98/37/EC**

Low Voltage Directive **2006/95/EC**

Electromagnetic Compatibility Directive **2004/108/EC**

Restrictions of the Use of Certain Hazardous Substances in Electrical and Electronic Equipment **2002/95/EC**

Standards conform to:

**EN60745-1:2006**

**EN60745-2-4:2003+A11:2007**

**EN55014-1:2006**

**EN55014-2:1997+A1:2001**

**EN61000-3-2:2006**

**EN61000-3-3:1995+A1:2001+A2:2005**

### Authorised Signatory

Date: 01/03/08

Signature: P. C. Harries

Name: Peter Harries  
Erbauer (UK) Ltd  
Quality Manager



2008



**240W PALM SANDER**

**Erbauer®**