

ENERGER



SAFETY AND OPERATING MANUAL

Original Instructions 5.0

710W PLANER ENB466PLN

ENERGIER

Read all safety warnings and all instructions before use. Failure to follow the warnings and instructions may result in electric shock, fire and/or serious injury.

Save all warnings and instructions for future reference.

GENERAL SAFETY INSTRUCTIONS



WARNING! Read all safety warnings designated by the symbol and all instructions.

WARNING! Read all safety warnings and all instructions.

Failure to follow the warnings and instructions may result in electric shock, fire and/or serious injury. Save all warnings and instructions for future reference.

The term "power tool" in the warnings refers to your mains-operated (corded) power tool or battery-operated (cordless) power tool

1) Work area

- a) **Keep work area clean and well lit.** Cluttered and dark areas invite accidents.
- b) **Do not operate power tools in explosive atmospheres, such as in the presence of flammable liquids, gases or dust.** Power tools create sparks which may ignite the dust or fumes.
- c) **Keep Children and bystanders away while operating a power tool.** Distractions can cause you to lose control.

2) Electrical safety

- a) **Power tool plugs must match the outlet. Never modify the plug in any way. Do not use any adapter plugs with earthed (grounded) power tools.** Unmodified plugs and matching outlets will reduce risk of shock.
- b) **Avoid body contact with earthed or grounded surfaces, such as pipes, radiators, ranges and refrigerators.** There is an increased risk of electric shock if your body is earthed or grounded.
- c) **Do not expose power tools to rain or wet conditions.** Water entering the power tool will increase the risk of electric shock.
- d) **Do not abuse the cord. Never use the cord for carrying, pulling or unplugging the power tool. Keep cord away from heat, oil, sharp edges or moving parts.** Damaged or entangled cords increase the risk of electric shock.
- e) **When using a power tool outdoors, use an extension cord suitable for outdoor use.** Use of a cord suitable for outdoor use reduces the risk of electric shock.

3) Personal safety

- a) **Stay alert, watch what you are doing and use common sense when operating a power tool. Do not use a power tool while you are tired or under the influence of drugs, alcohol or medication.** A moment of inattention while operating power tools may result in serious personal injury.
- b) **Use safety equipment. Always wear eye protection.** Safety equipment such as dust mask, non-skid safety shoes, hard hat, or hearing protection used for appropriate conditions will reduce personal injuries
- c) **Avoid accidental starting. Ensure the switch is in the off-position before plugging in.** Carrying power tools with your fingers on the switch or plugging in power tools that have the switch in invites accidents.
- d) **Remove any adjusting key or wrench before turning the power tool on.** A wrench or a key left attached to a rotating part of a power tool may result in personal injury.
- e) **Do not overreach. Keep proper footing and balance at all times.** This enables better control of the power tool in unexpected situations.
- f) **Dress properly. Do not wear loose clothing or jewellery. Keep your hair, clothing and gloves away from moving parts.** Loose clothes, jewellery or long hair can get caught in moving parts.
- g) **If devices are provided for the connection of dust extraction and collection facilities, ensure these are connected and properly used.** Use of these devices can reduce dust-related hazards

4) Power tool use and care

- a) **Do not force the power tool. Use the correct power tool for your application.** The correct power tool will do the job better and safer at the rate for which it is designed.
- b) **Do not use the power tool if the switch does not turn it on and off.** Any power tool that cannot be controlled with the switch is dangerous and must be repaired.
- c) **Disconnect the plug from the power source and/or the battery pack from the power tool before making any adjustments, changing accessories, or storing power tools.** Such preventative safety measures reduce the risk of starting power tools accidentally.
- d) **Store idle power tools out of reach of children and do not allow persons unfamiliar with the power tool or these instructions to operate the power tool.** Power tools are dangerous in the hands of untrained users.
- e) **Maintain power tools. Check for misalignment or binding of moving parts, breakage of parts and any other condition that may affect the power tools operation. If damaged, have the power tool repaired before use.** Many accidents are caused by poorly maintained power tools.
- f) **Keep cutting tools sharp and clean.** Properly maintained cutting tools with sharp cutting edges are less likely to bind and easier to control.
- g) **Use the power tool, accessories and tool bits etc. in accordance with these instructions and in the manner intended for the particular type of power tool, taking into account the working conditions and the work to be performed.** Use of the power tool for operations different from those intended could result in a hazardous situation

5) Service

Have your power tool serviced by a qualified repair person using only identical replacement parts. This will ensure that the safety of the power tool is maintained.

SPECIAL SAFETY INSTRUCTIONS

1. **Wait for the cutter to stop before setting the tool down.** An exposed cutter may engage the surface leading to possible loss of control and serious injury.
2. **Hold the power tool by insulated gripping surfaces only, because the cutter may contact its own cord.** Cutting a "live" wire may make exposed metal parts of the power tool "live" and could give the operator an electric shock.
3. **Use clamps or another practical way to secure and support the workpiece to a stable platform.** Holding the work by your hand or against the body leaves it unstable and may lead to loss of control.
3. Remove the plug from the socket before carrying out any adjustment, servicing or maintenance.
4. Fully unwind extension cords to avoid potential overheating.
5. When an extension cord is required, please ensure it has the correct ampere rating for the power tool and that it is in a safe electrical condition.
6. Ensure the supply voltage is same as rating voltage.
7. The tool is double insulated for additional protection against a possible electrical insulation failure within the tool.
8. After long working periods, external metal parts and accessories could be hot.
9. Wear eye protection when operating this tool.
10. Always check the workpiece before operation and remove any obstructions such as nails, staples, screws, string, rags, cloths and other debris. Do not cut into nails, screws or other metal objects.
11. Check the position of power cables before commencing work ensuring they are well away from the work area.
12. Do not use worn or damaged planer blades. This may result in motor overload and substandard work.

13. Keep hands and other body parts well away from the blades while the planer is in use. Do not attempt to remove cut material whilst the planer is in operation or reach underneath for any reason.
14. Keep fingers and hands well away from the dust extraction outlet whilst the tool is in use.



WARNING!

Some dust created by power Planing, cutting and other construction activities contains chemicals known to cause cancer, birth defects or other reproductive harm. Some examples of these chemicals are:

- lead from lead-based paints,
- crystalline silica from bricks and cement and other masonry products,
- arsenic and chromium from chemically-treated lumber.

Your risk from these exposures varies, depending on how often you do this type of work. To reduce your exposure to these chemicals: work in a well-ventilated area, and work with approved safety equipment, such as those dust masks that are specially designed to filter out microscopic particles.

NOISE INFORMATION

Wear hearing protection!

Measured sound values determined according to EN 60745.

The noise figures quoted are emission levels and are not necessarily safe working levels. Whilst there is a correlation between the emission and exposure levels, this cannot be used reliably to determine whether or not further precautions are required. Factors that influence the actual level of exposure of work-force include the characteristics of the work room, the other sources of noise, etc. i.e. the number of machines and other adjacent processes, and the length of time for which an operator is exposed to the noise. Also the permissible exposure level can vary from country. This information, however, will enable the user of the machine to make a better evaluation of the hazard and risk.

VIBRATION

The European Physical Agents (Vibration) Directive has been brought in to help reduce hand arm vibration syndrome injuries to power tool users. The directive requires power tool manufacturers and suppliers to provide indicative vibration test results to enable users to make informed decisions as to the period of time a power tool can be used safely on a daily basis and the choice of tool.

Further advice can be found at www.hse.gov.uk

| | |
|---|---|
| Vibration total values (triax vector sum) determined according to EN 60745: | |
| Planing | Level of vibration mode sanding $a_h = 3.777 \text{ m/s}^2$ |
| | Uncertainty $K = 1.5 \text{ m/s}^2$ |

The declared vibration emission value should be used as a minimum level and should be used with the current guidance on vibration.

The declared vibration emission been measured in accordance with a standardised test stated above and may be used to compare one tool with another tool. The declared vibration emission value may also be used in a preliminary assessment of exposure.



WARNING!

The vibration emission value during actual use of the power tool can differ from the declared value depending on the ways in which the tool is used dependent on the following examples and other variations on how the tool is used:

How the tool is being used and the materials being cutting.

The tool being in good condition and well maintained

The use the correct accessory for the tool and ensuring it is sharp and in good condition.

The tightness of the grip on the handles.

And the tool is being used as intended by its design and these instructions.

While working with this power tool, hand/arm vibrations occur. Adopt the correct working practices in order to reduce the exposure to vibration.

This tool may cause hand-arm vibration syndrome if its use is not adequately managed.

WARNING!

Identify safety measures to protect the operator that are based on an estimation of exposure in the actual conditions of use (taking account of all parts of the operating cycle such as the times when the tool is switched off and when it is running idle in addition to the trigger time).

Vibration and noise reduction

To reduce the sanding of noise and vibration emission, limit the time of operation, use low-vibration and low-noise operating modes as well as wear personal protective equipment.

Take the following points into account to minimize the vibration and noise exposure risks:

1. Only use the product as intended by its design and these instructions.
2. Ensure that the product is in good condition and well maintained.
3. Use correct application tools for the product and ensure they in good condition.
4. Keep tight grip on the handles/grip surface.
5. Maintain this product in accordance with these instructions and keep it well lubricated (where appropriate).
6. Plan your work schedule to spread any high vibration tool use across a number of days.

Emergency

Familiarise yourself with the use of this product by means of this instruction manual. Memorise the safety directions and follow them to the letter. This will help to prevent risks and hazards.

1. Always be alert when using this product, so that you can recognise and handle risks early. Fast intervention can prevent serious injury and damage to property.
2. Switch off and disconnect from the power supply if there is any malfunction. Have the product checked by a qualified specialist and repaired, if necessary, before you put it into operation again.

Health Surveillance

All employees should be part of an employer's health surveillance scheme to help identify any vibration related diseases at an early stage, prevent disease progression and help employees stay in work.

Residual risks

Even if you are operating this product in accordance with all the safety requirements, potential risks of injury and damage remain. The following dangers can arise in connection with the structure and design of this product:

1. Health defects resulting from vibration emission if the product is being used over long periods of time or not adequately managed and properly maintained.
2. Injuries and damage to property due to broken application tools or the sudden impact of hidden objects during use.
3. Danger of injury and property damage caused by flying objects.

WARNING!

This product produces an electromagnetic field during operation! This field may under some circumstances interfere with active or passive medical implants! To reduce the risk of serious or fatal injury, we recommend persons with medical implants to consult their doctor and the medical implant manufacturer before operating this product!

Important note

Be sure the supply is the same as the voltage given on the rating plate. Remove the mains plug before carrying out any adjustment or servicing.

Intended use

This planer is designed for planing wood surfaces or similar materials, and removing old paint with the exception of any other material having risk ignition, explosion or release of hazardous or dangerous to the user or the environment.

SYMBOLS

The symbols shown on the product has great significance for the safe use of the product.



WARNING - To reduce the risk of injury, user must read the instruction manual



Wear eye protection
Wear ear protection
Wear respiratory protection
Wear safety gloves



Double insulation Class II

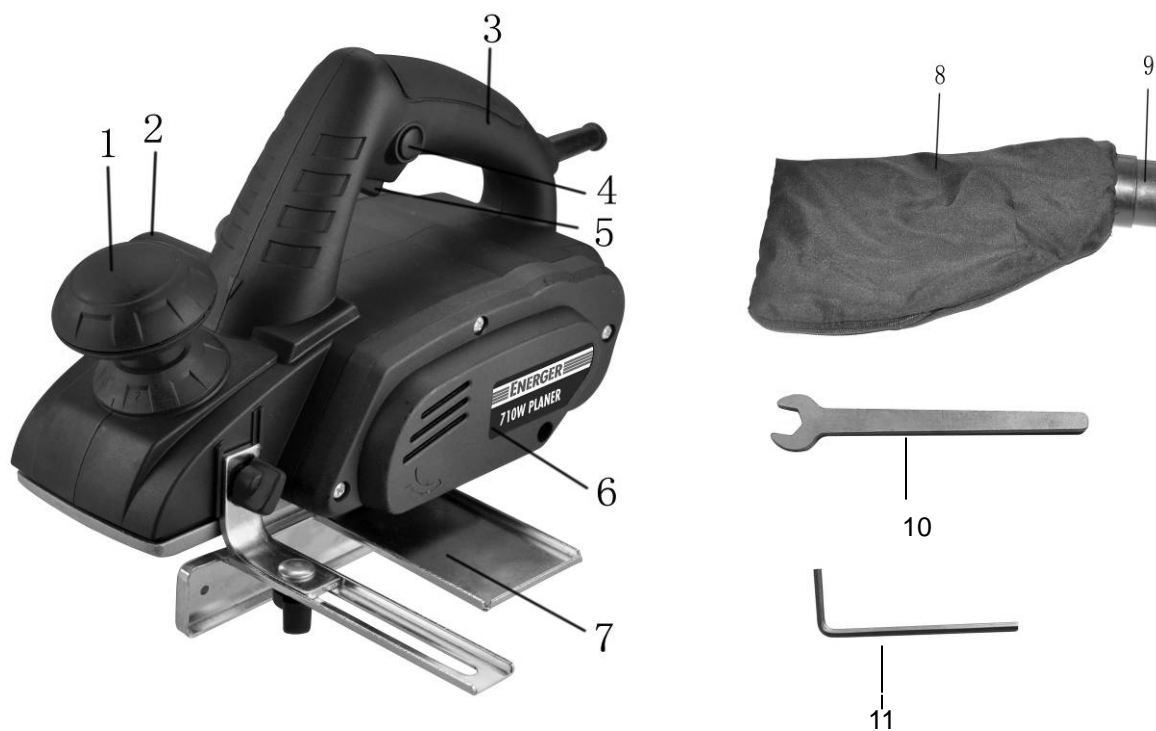


Conforms to all relevant safety standards.

yyWxx Manufacturing date code:

Year of manufacturing (20yy) and week of manufacturing (Wxx);

Components and controls



- 1 Depth scale
- 2 Dust exhaust tube
- 3 Main handle
- 4 Lock-off button
- 5 ON/OFF Switch
- 6 Drive belt cover
- 7 Parallel guide
- 8 Dust bag
- 9 Dust bag connection nozzle
- 10 Spanner
- 11 Hex wrench

TECHNICAL DATA

| | |
|------------------|------------------------|
| Model | ENB466PLN |
| Rated voltage | 230-240V~50 Hz |
| Rated power | 710W |
| No load speed | 16000min ⁻¹ |
| Max depth of cut | 2mm |
| Max width of cut | 82mm |
| Weight | 2kg |

NOISE DATA

Sound pressure level: $L_{pA} = 87.2\text{dB (A)}$ uncertainty $K= 3\text{dB (A)}$
Sound power level: $L_{WA} = 98.2\text{dB (A)}$ uncertainty $K= 3\text{dB (A)}$

Wear ear protection when sound pressure is over 80 dB(A)

ACCESSOIRES

The machine comes with the following accessories :

- 1 pc dust bag with connection nozzle
- 1 pc hex wrench
- 1 Set parallel guide
- 1 pc Spanner

BEFORE USE

Before making assembly, changing and adjustment for any accessory, disconnect the tool from the mains supply to avoid any unintentional starting.

Please always check the mains supply voltage before use! It must correspond with the rating label on the appliance.

Remove any packing material and loose parts from unit.

Check the accessories before use. It should be fit with the machine and your purpose.

Never use any damaged or deformed blade in planer.

Check the blade before use. It must be fixed correctly.

Operating instructions

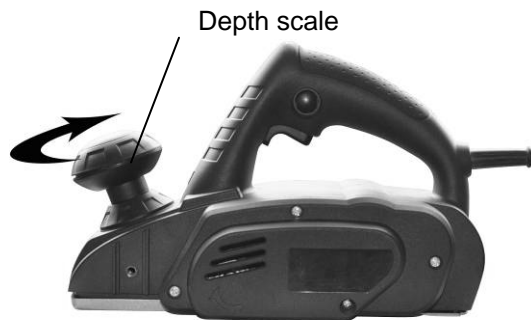


Fig.1



Fig.2

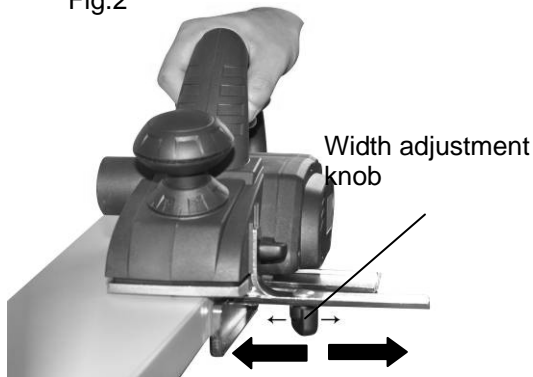


Fig.3

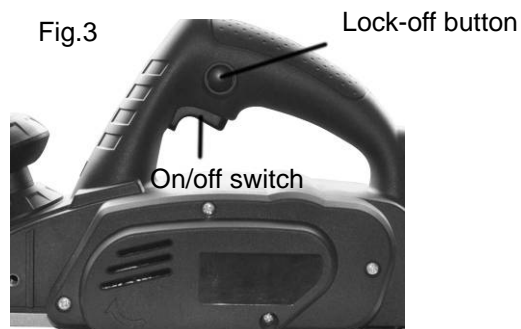


Fig.4

1. Adjusting the depth of cut

The cutting depth can be adjusted from 0-2mm. To set the cutting depth, rotate the depth adjustment knob to the required setting indicated by the cutting depth scale.(Fig.1)
The scale is calibrated in 0.25mm per step/total 8 steps.

Note

If it is necessary to accurately determine the depth of cut, plane a scrap piece of wood, measure the difference in thickness and adjust the setting if necessary.

For optimal quality of cutting, please start with a small cutting depth and increase in increments until you reach the desired depth.

2 Adjusting the with of cut

The cutting width can be adjusted from 0-82mm. To set the cutting width, Install the guide to the machine (Fig.2). rotate the knob on the guide to the required width and then lock the guide.(Fig.3)

3. On/Off switch

Use the On/Off switch and lock off switch to start the machine and keep holding it for continuous operation. The machine can only be started by depressing the lock off switch first, preventing any unintentional operation. To switch the machine off, release the On/Off switch.

CAUTION!

Always hold the machine by both hands. Never start the planer with the blade in contact with the workpiece. Start cutting only after the motor reached its full speed. Always carry out a test run before starting work and after every tool change! Always ensure that the tools are in good condition, correctly mounted and able to turn freely. The trial run should be at last 30 sec.

4. Planing (Fig.5)

CAUTION!

Never cut the unsecured workpiece!

The rate of planing and the depth of cut determine the quality of the finish. For rough cutting, the user can increase the depth of cutting. However to achieve a good finish you will need to reduce the depth of cutting and advance the tool more slowly.

The proper feed rate will depend on the type of material being cut and the quality requirement of finish. Normally, the harder material need slower speed.



Fig.5

WARNING

Don't apply big pressure to the machine. Best cutting results can be obtained by only a slight pressure on the tool; Forcing and excessive pressure will damage the blade and cause serious personal injury.

Moving the machine too fast may cause a poor quality of cutting and can damage the blades or the motor. Moving the machine too slowly may burn or mar the workpiece. Incline the workpiece slightly away from user, it may make planing easily.

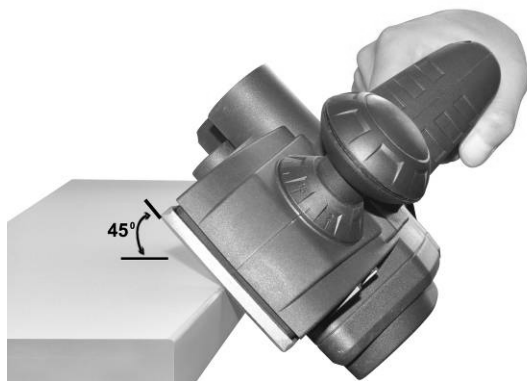


Fig.6

5. Chamfering edges (Fig.6)

For chamfering edges use the V-grooves in the base. Set cutting Depth scale in "0" position and then run the planer along the corner edge.

Caution!
Always test out first on a piece of scrap material for chamfering edges.

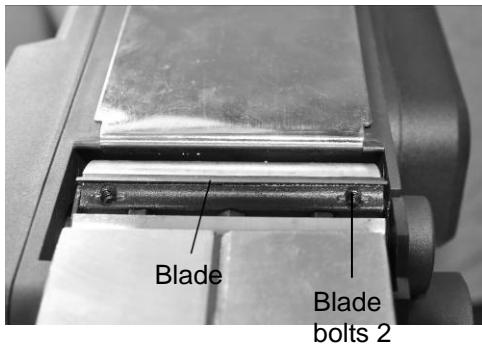
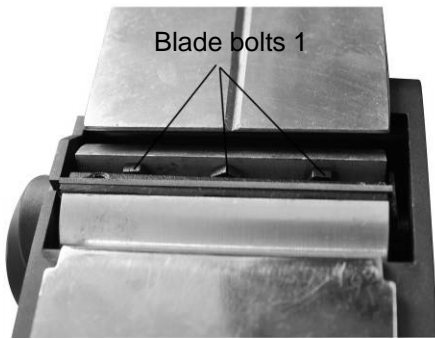


Fig.7

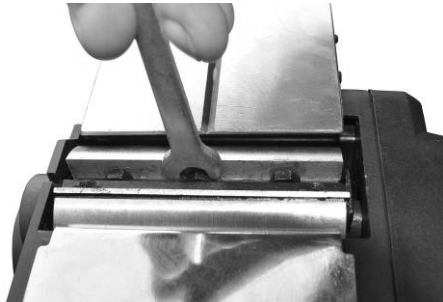


Fig.8



Fig.9

WARNING

Before carrying out any maintenance, ensure that the power is off and the machine is unplugged from the wall. Failure to do this could result in serious personal injury

6. Changing the planer blades

The planer blades have two cutting edges and can be reversed to make use of both sides. Blunt or worn blades must be replaced or reversed immediately. These blades cannot be sharpened and must be replaced.

- 1.Remove the rebate depth guide and straight guide if fitted.
- 2.Turn the planer upside-down to access the blade bolts.
- 3.Loosen the 3 blade bolts 1(Fig.7) with the 8mm spanner provided.(Fig8)
- 4.Loosen the 2 blade bolts 2(Fig.7) with the hex key provided.(Fig.9)
- 5.Turn the blade holder until the blade is in line with the blade groove on the side of the housing.
- 6.Push the first blade out of the blade holder by using a small piece of wood or hex key(Fig.10). Do not attempt this by hand.
- 7.Clean any dirt away that may have gathered.
- 8.Repeat the process for the second blade
- 9.Insert the reversed or replaced blades in reverse order by pushing them into the groove sideways ensuring that they are placed in the guide notches.
- 10.Ensure the blades are protruding equally at both ends of the blade roller.
- 11.Secure the blades by tightening the 3 blade bolts. Do not over tighten.



Caution

The blades should be changed regularly. In order not to damage the machine, both blades should be changed at the same time.

CAUTION!

The machine should be used only with both blades!

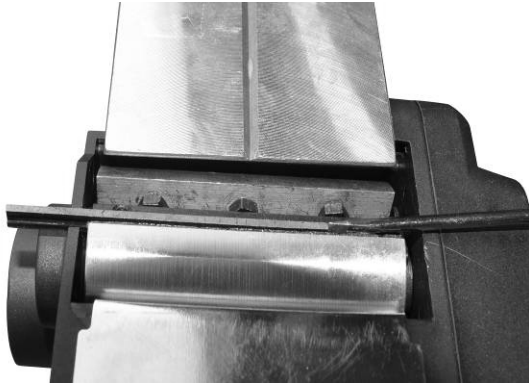


Fig.10

7. Installing and removing the dust bag(Fig.11)

The dust will be collected by the dust suction function during use.

To assemble the dust bag, please follow below step

1. Push the dust bag connection nozzle (fitted to bust bag) firmly over the dust extraction chute.
2. Push forward until it locks in place.

To remove the dust bag just pull out gently.

After emptying turn the bag inside out and shake.

Note: To ensure optimum dust collection, empty the dust bag at approximately 2/3 full.



Fig.11

8. Drive belt replacement

The drive belt is expendable. It is keeping abrasion during use.

The drive belt should be changed regularly.

CAUTION!

Replacing the drive belt should be done by authorized service only.

The machine should be used only with drive belt!

To replace the drive belt, please fellow below steps:

1. Take away the drive belt cover by remove the fixing screws.
2. Remove the damaged belt and use a soft brush to clean the pulleys and the surrounding area.
3. With the three continuous "v" profiles on the inside, place the new belt over the bottom pulley. Half fit the other end of the belt on the top pulley then roll the belt in place whilst turning the pulley.
4. Check that the belt runs evenly by manually turning the belt and then re-assembly the drive belt cover.
5. Carry out a test run before starting work to ensure that the tools are in good condition, correctly mounted and able to turn freely. The trial run should be at last 60 seconds.

TERMS OF USE

When all precautions have been taken and the previous operations were done, you can start working. Always start the planer before putting it in contact with the workpiece and stop it completely before put it down. Always secure the workpiece.

The stress on the machine should not be such that the speed is reduced by more than 25% for significant periods.

When overloaded happened, run the machine empty for 3 to 5 minutes to cool the engine.

CARE AND MAINTENANCE

Keep the ventilation openings clear and clean the product regularly. This machine requires no special mechanical maintenance such as greasing the bearings.

If something unusual occurs during use, switch off the supply and disconnect the plug. Inspect and repair the tool before using it again. The repairs must be carried out by a qualified technician.

Repair of the tool must only be carried out by a qualified repair technician.

Repair or maintenance by unqualified personnel can lead to a risk of injury.

Use only identical spare parts for repairing a tool.

Caution!

If the supply cord of this power tool is damaged, it must be replaced by a specially prepared cord available through the service organization.

Care and cleaning

Cleaning of plastic parts is disconnected machines, using a soft damp cloth and a mild soap.

Never immerse the machine and do not use detergent, alcohol, petrol, etc..

In case of problems or for a deep cleaning, consult the manufacturer, its service agent or a similarly qualified person to avoid a hazard.

STORING

Store the machine, operating instructions and where necessary the accessories in the original packaging. In this way you will always have all the information and parts ready to hand.

Pack the device well or use the original packaging in order to avoid transit damage.

Always keep the machine in dry place.

GUARANTEE

This ENERGER product carries a guarantee of 12 months.

If your product develops a fault within this period, you should, in the first instance contact the retailer where the item was purchased.

This guarantee specifically excludes losses caused due to:

- Fair wear and tear
 - Misuse or abuse
 - Lack of routine maintenance
 - Failure of consumable items
 - Accidental damage
 - Cosmetic damage
 - Failure to follow manufacturer's guidelines
 - Loss of use of the goods
- This guarantee does not affect your statutory rights.

This guarantee is only valid in the UK. For any enquiries relating to the guarantee please refer to your retailer.

ENVIRONMENTAL PROTECTION



This product is marked with the selective sorting symbol on waste electrical and electronic equipment. This means that this product should not be disposed of with household waste but must be supported by a collection system in accordance with Directive 2002/96/EC. It will then be recycled or dismantled to minimize impacts on the environment, electrical and electronic products are potentially hazardous to the environment and human health due to the presence of hazardous substances.

PLUG REPLACEMENT (UK & IRELAND ONLY)

If you need to replace the fitted plug then follow the instructions below.

IMPORTANT

The wires in the mains lead are colored in accordance with the following code:

BLUE = NEUTRAL

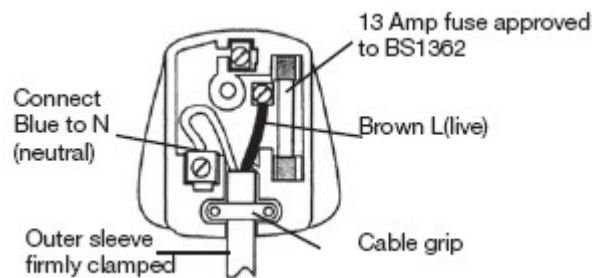
Brown = Live

As the colors of the wires in the mains lead of this appliance may not correspond with the colored markings identifying the terminals in your plug, proceed as follows. The wire which is colored blue must be connected to the terminal which is marked with N. The wire which is colored brown must be connected to the terminal which is marked with L.

Warning:

Never connect live or neutral wires to the earth terminal of the plug. **Only fit an approved 13AMP BS1363/A plug and the correct rated fuse.**

Note: If a moulded plug is fitted and has to be removed take great care in disposing of the plug and severed cable, it must be destroyed to prevent engaging into a socket.





Declaration of Conformity

We, Importer
Powersmith (UK) LTD.
Trade house, Mead Avenue, BA22 8RT

Declare that the product:
Designation: PLANER 710W
Model: ENB466PLN

Complies with the following Directives:
2004/108/EC Electromagnetic Compatibility Directive
2006/42/EC Machinery Directive
2006/95/EC Low Voltage Directive
2011/65/EU Restrictions of the Use of Certain Hazardous Substances in
Electrical and Electronic Equipment
2002/96/EC and 2003/108/EC Waste Electrical and Electronic Equipment
(WEEE)

Standards and technical specifications referred to:

EN 55014-1
EN 55014-2
EN 61000-3-2
EN 61000-3-3
EN60745-1
EN60745-2-14

Authorised Signatory and technical file holder

Date : 07/09/2012

Signature: P.C. Harries



Name / title: Peter Harries / Quality Manager
Powersmith (UK) LTD. Trade House , Mead Avenue ,BA22 8RT

710W PLANER ENB466PLN