

Robert Bosch GmbH

Power Tools Division
70745 Leinfelden-Echterdingen
Germany

www.bosch-pt.com

1 619 P11 606 (2014.01) | 46 ASIA



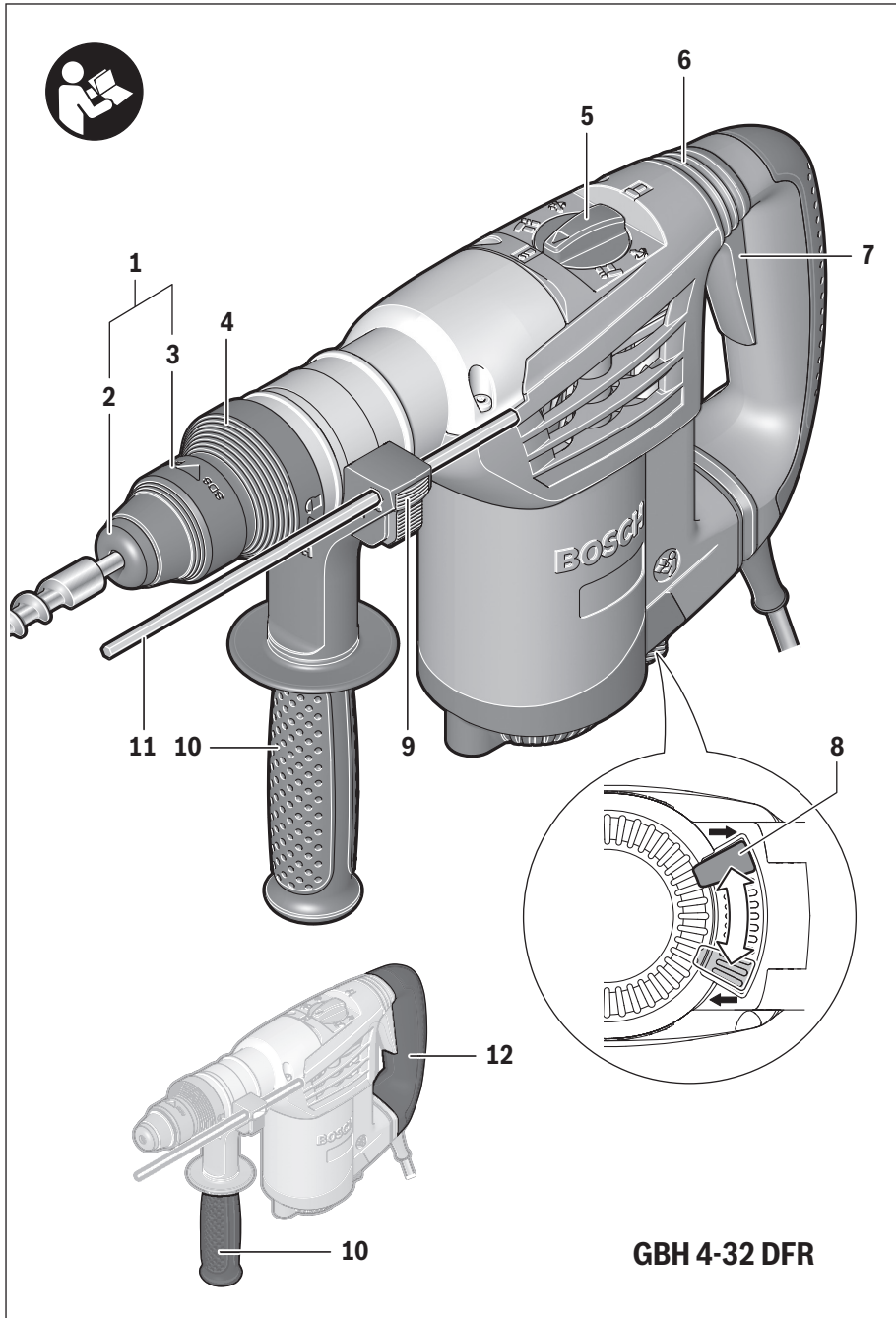
1 619 P11 606

GBH 4-32 DFR Professional

 **BOSCH**

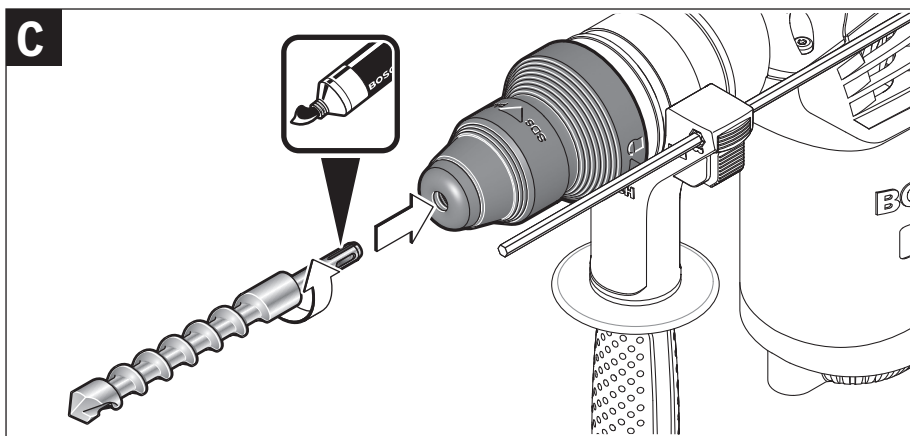
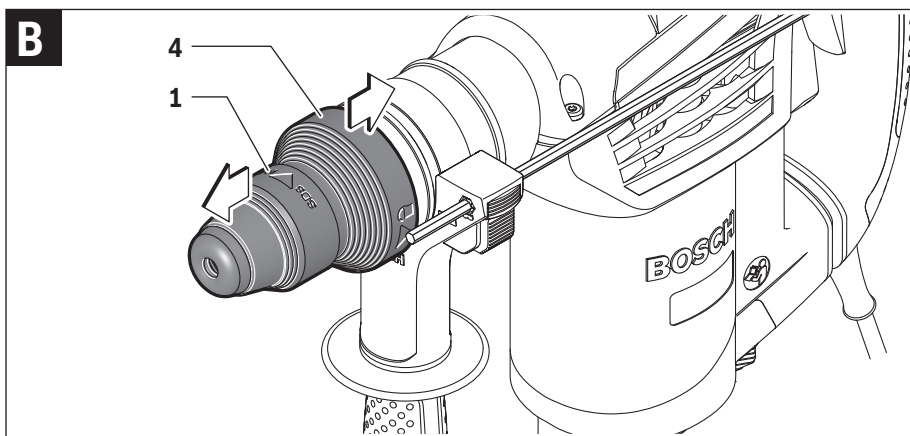
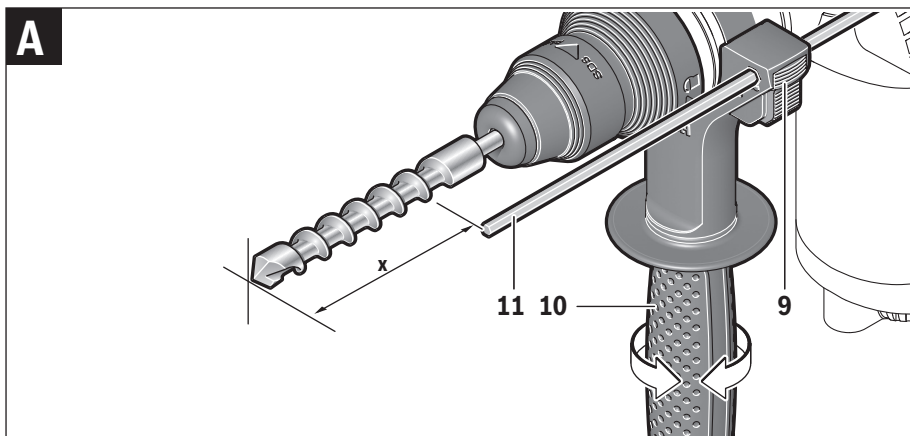
- en Original instructions
- cn 正本使用说明书
- tw 原始使用說明書
- ko 사용 설명서 원본
- th หนังสือคู่มือการใช้งานฉบับต้นแบบ
- id Petunjuk-Petunjuk untuk
Penggunaan Orisinal
- vi Bản gốc hướng dẫn sử dụng

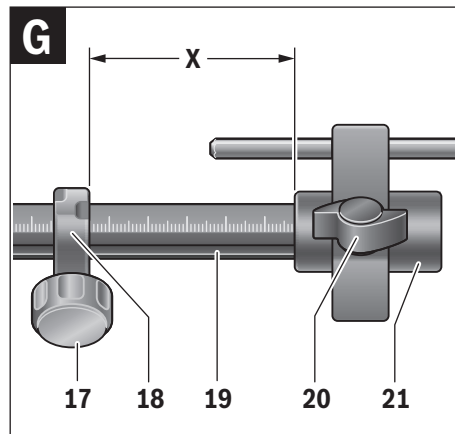
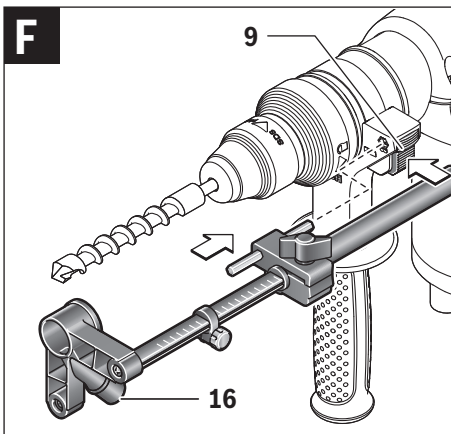
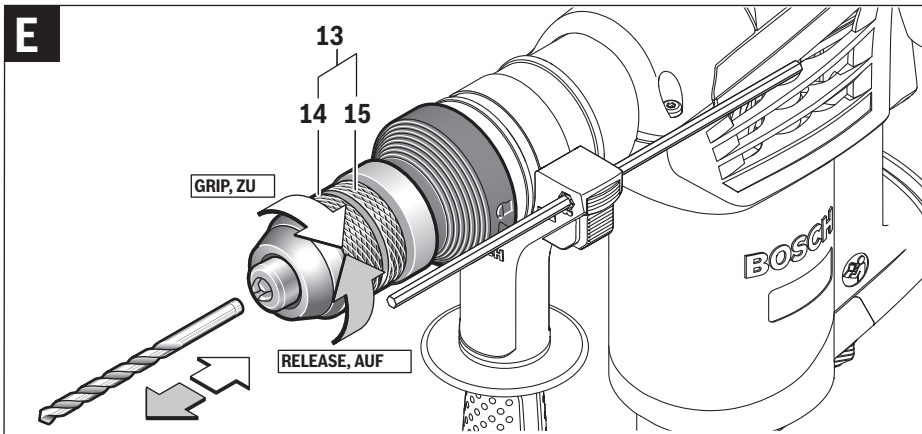
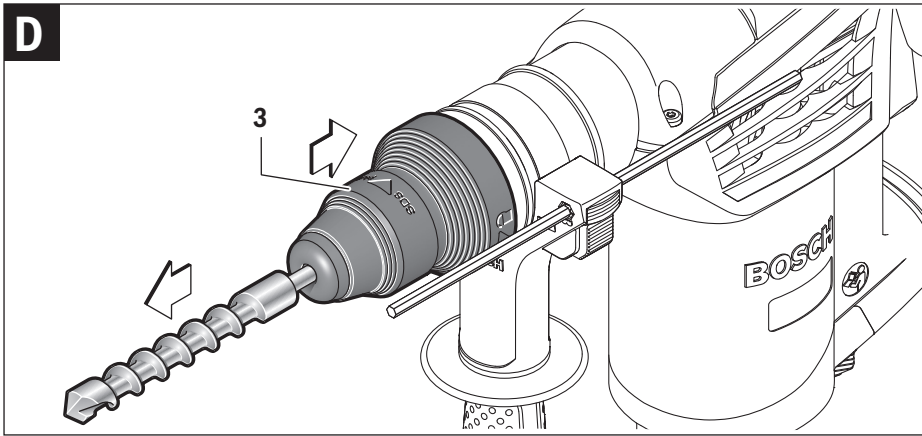




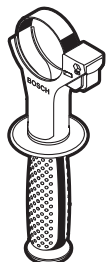
GBH 4-32 DFR

4 |





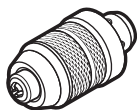
6 |



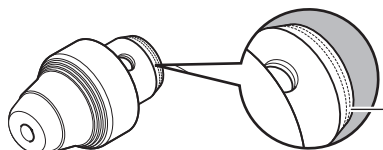
2 602 025 176



1 613 001 003

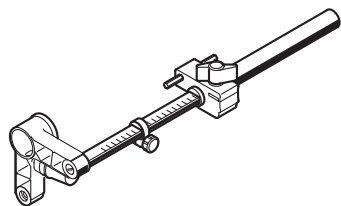


2 608 572 212

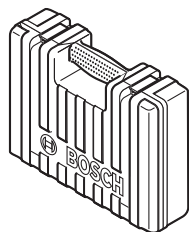


2 608 572 213
SDS-plus Ø 50 mm

!
(2x)



1 607 000 173



2 605 438 651

English

Safety Notes

General Power Tool Safety Warnings

⚠ WARNING Read all safety warnings and all instructions. Failure to follow the warnings and instructions may result in electric shock, fire and/or serious injury.

Save all warnings and instructions for future reference.

The term "power tool" in the warnings refers to your mains-operated (corded) power tool or battery-operated (cordless) power tool.

Work area safety

- ▶ **Keep work area clean and well lit.** Cluttered or dark areas invite accidents.
- ▶ **Do not operate power tools in explosive atmospheres, such as in the presence of flammable liquids, gases or dust.** Power tools create sparks which may ignite the dust or fumes.
- ▶ **Keep children and bystanders away while operating a power tool.** Distractions can cause you to lose control.

Electrical safety

- ▶ **Power tool plugs must match the outlet. Never modify the plug in any way. Do not use any adapter plugs with earthed (grounded) power tools.** Unmodified plugs and matching outlets will reduce risk of electric shock.
- ▶ **Avoid body contact with earthed or grounded surfaces, such as pipes, radiators, ranges and refrigerators.** There is an increased risk of electric shock if your body is earthed or grounded.
- ▶ **Do not expose power tools to rain or wet conditions.** Water entering a power tool will increase the risk of electric shock.
- ▶ **Do not abuse the cord. Never use the cord for carrying, pulling or unplugging the power tool. Keep cord away from heat, oil, sharp edges and moving parts.** Damaged or entangled cords increase the risk of electric shock.
- ▶ **When operating a power tool outdoors, use an extension cord suitable for outdoor use.** Use of a cord suitable for outdoor use reduces the risk of electric shock.
- ▶ **If operating a power tool in a damp location is unavoidable, use a residual current device (RCD) protected supply.** Use of an RCD reduces the risk of electric shock.

Personal safety

- ▶ **Stay alert, watch what you are doing and use common sense when operating a power tool. Do not use a power tool while you are tired or under the influence of drugs, alcohol or medication.** A moment of inattention while operating power tools may result in serious personal injury.
- ▶ **Use personal protective equipment. Always wear eye protection.** Protective equipment such as dust mask, non-skid safety shoes, hard hat, or hearing protection used for appropriate conditions will reduce personal injuries.

- ▶ **Prevent unintentional starting. Ensure the switch is in the off-position before connecting to power source and/or battery pack, picking up or carrying the tool.** Carrying power tools with your finger on the switch or energising power tools that have the switch on invites accidents.
- ▶ **Remove any adjusting key or wrench before turning the power tool on.** A wrench or a key left attached to a rotating part of the power tool may result in personal injury.
- ▶ **Do not overreach. Keep proper footing and balance at all times.** This enables better control of the power tool in unexpected situations.
- ▶ **Dress properly. Do not wear loose clothing or jewellery. Keep your hair, clothing and gloves away from moving parts.** Loose clothes, jewellery or long hair can be caught in moving parts.
- ▶ **If devices are provided for the connection of dust extraction and collection facilities, ensure these are connected and properly used.** Use of dust collection can reduce dust-related hazards.

Power tool use and care

- ▶ **Do not force the power tool. Use the correct power tool for your application.** The correct power tool will do the job better and safer at the rate for which it was designed.
- ▶ **Do not use the power tool if the switch does not turn it on and off.** Any power tool that cannot be controlled with the switch is dangerous and must be repaired.
- ▶ **Disconnect the plug from the power source and/or the battery pack from the power tool before making any adjustments, changing accessories, or storing power tools.** Such preventive safety measures reduce the risk of starting the power tool accidentally.
- ▶ **Store idle power tools out of the reach of children and do not allow persons unfamiliar with the power tool or these instructions to operate the power tool.** Power tools are dangerous in the hands of untrained users.
- ▶ **Maintain power tools. Check for misalignment or binding of moving parts, breakage of parts and any other condition that may affect the power tool's operation. If damaged, have the power tool repaired before use.** Many accidents are caused by poorly maintained power tools.
- ▶ **Keep cutting tools sharp and clean.** Properly maintained cutting tools with sharp cutting edges are less likely to bind and are easier to control.
- ▶ **Use the power tool, accessories and tool bits etc. in accordance with these instructions, taking into account the working conditions and the work to be performed.** Use of the power tool for operations different from those intended could result in a hazardous situation.

Service

- ▶ **Have your power tool serviced by a qualified repair person using only identical replacement parts.** This will ensure that the safety of the power tool is maintained.

8 | English

Hammer Safety Warnings

- ▶ **Wear ear protectors.** Exposure to noise can cause hearing loss.
- ▶ **Use auxiliary handle(s), if supplied with the tool.** Loss of control can cause personal injury.
- ▶ **Hold power tool by insulated gripping surfaces, when performing an operation where the cutting accessory may contact hidden wiring or its own cord.** Cutting accessory contacting a "live" wire may make exposed metal parts of the power tool "live" and could give the operator an electric shock.
- ▶ **Use suitable detectors to determine if utility lines are hidden in the work area or call the local utility company for assistance.** Contact with electric lines can lead to fire and electric shock. Damaging a gas line can lead to explosion. Penetrating a water line causes property damage or may cause an electric shock.
- ▶ **When working with the machine, always hold it firmly with both hands and provide for a secure stance.** The power tool is guided more secure with both hands.
- ▶ **Secure the workpiece.** A workpiece clamped with clamping devices or in a vice is held more secure than by hand.
- ▶ **Always wait until the machine has come to a complete stop before placing it down.** The tool insert can jam and lead to loss of control over the power tool.

Products sold in GB only: Your product is fitted with a BS 1363/A approved electric plug with internal fuse (ASTA approved to BS 1362).

If the plug is not suitable for your socket outlets, it should be cut off and an appropriate plug fitted in its place by an authorised customer service agent. The replacement plug should have the same fuse rating as the original plug.

The severed plug must be disposed of to avoid a possible shock hazard and should never be inserted into a mains socket elsewhere.

Products sold in AUS and NZ only: Use a residual current device (RCD) with a rated residual current of 30 mA or less.

Product Description and Specifications

Read all safety warnings and all instructions. Failure to follow the warnings and instructions may result in electric shock, fire and/or serious injury.

Intended Use

The machine is intended for hammer drilling in concrete, brick and stone, as well as for light chiselling work. It is also suitable for drilling without impact in wood, metal, ceramic and plastic. Machines with electronic control and right/left rotation are also suitable for screwdriving.

Product Features

The numbering of the product features refers to the illustration of the machine on the graphics page.

- 1 SDS-plus tool holder
- 2 Dust protection cap
- 3 Locking sleeve
- 4 Lock ring of the tool holder
- 5 Mode selector switch
- 6 Vibration damper
- 7 On/Off switch
- 8 Rotational direction switch
- 9 Button for depth stop adjustment
- 10 Auxiliary handle (insulated gripping surface)
- 11 Depth stop
- 12 Handle (insulated gripping surface)
- 13 Quick change keyless chuck*
- 14 Front sleeve of the quick change keyless chuck*
- 15 Retaining ring of the quick change keyless chuck*
- 16 Extraction sleeve of the dust extraction attachment*
- 17 Clamping screw for the dust extraction attachment*
- 18 Depth stop of the dust extraction attachment*
- 19 Telescopic pipe of the dust extraction attachment*
- 20 Wing bolt of the dust extraction attachment*
- 21 Guide pipe of the dust extraction attachment*

*Accessories shown or described are not part of the standard delivery scope of the product. A complete overview of accessories can be found in our accessories program.

Technical Data

Rotary Hammer	GBH 4-32 DFR Professional	
Article number		3 611 C32 0.. 3 611 C32 1..
Rated power input	W	900
Rated speed	min ⁻¹	0–760
Impact rate	min ⁻¹	0–3600
Impact energy per stroke	J	5.0
Chisel positions		12
Tool holder		SDS-plus
Lubrication		Central permanent lubrication
Max. drilling dia.	mm	32
– Concrete (with twist drill)		
– Brickwork (with core bit)	mm	90
– Steel	mm	13
– Wood	mm	32
Weight according to EPTA-Procedure 01/2003	kg	4.7
Protection class		□/II

The values given are valid for a nominal voltage [U] of 230 V. For different voltages and models for specific countries, these values can vary.

Assembly

- ▶ **Before any work on the machine itself, pull the mains plug.**

Auxiliary Handle

- ▶ **Operate your machine only with the auxiliary handle 10.**

The auxiliary handle **10** can be set to any position for a secure and low-fatigue working posture.

- Turn the bottom part of the auxiliary handle **10** in counter-clockwise direction and swivel the auxiliary handle **10** to the desired position. Then retighten the bottom part of the auxiliary handle **10** by turning in clockwise direction.

Adjusting the Drilling Depth (see figure A)

The required drilling depth **X** can be set with the depth stop **11**.

- Press the button for the depth stop adjustment **9** and insert the depth stop into the auxiliary handle **10**.
- Insert the SDS-plus drilling tool to the stop into the SDS-plus tool holder **1**. Otherwise, the movability of the SDS-plus drilling tool can lead to incorrect adjustment of the drilling depth.
- Pull out the depth stop until the distance between the tip of the drill bit and the tip of the depth stop correspond with the desired drilling depth **X**.
The knurled surface of the depth stop **11** must face downward.

Selecting the Tool Holder

For hammer drilling, SDS-plus drilling tools that can be inserted into the SDS-plus tool holder **1** are required.

For drilling without impact in wood, metal, ceramic and plastic as well as for screwdriving and tapping, use non-SDS-plus drilling tools (e. g., drill bits with cylindrical shank). A keyless drill chuck is required for such drilling tools.

Note: Do not use tools without SDS-plus for hammer drilling or chiselling! Tools without SDS-plus and their drill chucks are damaged by hammer drilling or chiselling.

The SDS-plus tool holder **1** can easily be exchanged against the quick change keyless chuck **13**.

Changing the Tool Holder

Dismounting the SDS-plus Tool Holder or the Quick change keyless chuck (see figure B)

- Pull the lock ring of the tool holder **4** firmly in the direction of the arrow, hold it in this position and pull off the tool holder **1** or the keyless replacement chuck **13** toward the front.

After removing, protect the tool holder **1** or the quick change keyless chuck **13** against contamination. Lightly lubricate the engaging grooves, if required.

Mounting the SDS-plus Tool Holder or the Quick change keyless chuck (see figure B)

- ▶ **Use only model-specific original equipment and pay attention to the number of identification grooves XX.** On-

ly quick-change chucks with two identification grooves are permitted. When an unsuitable quick-change chuck is used, the application tool could fall out during operation.

- Grasp the tool holder **1** or the keyless replacement chuck **13** completely with your hand. Slide the tool holder **1** or the keyless replacement chuck **13** with a turning motion onto the drill chuck mounting until a distinct latching noise is heard.
- The tool holder **1** or the quick change keyless chuck **13** is automatically locked. Check the locking effect by pulling the tool holder.

Changing the Tool

With the SDS-plus tool holder, simple and convenient tool changing is possible without additional aids.

As a requirement of the system, the SDS-plus drilling tool can move freely. This causes a certain radial run-out at no-load, which has no effect on the accuracy of the drill hole, as the drill bit centres itself upon drilling.

The dust protection cap **2** largely prevents the entry of drilling dust into the tool holder during operation. When inserting the tool, take care that the dust protection cap **2** is not damaged.

- ▶ **A damaged dust protection cap should be changed immediately. We recommend having this carried out by an after-sales service.**

Inserting SDS-plus Drilling Tools (see figure C)

- Clean and lightly grease the shank end of the tool.
- Insert the tool in a twisting manner into the tool holder until it latches itself.
- Check the latching by pulling the tool.

Removing SDS-plus Drilling Tools (see figure D)

- Push back the locking sleeve **3** and remove the tool.

Inserting Drilling Tools without SDS-plus (see figure E)

Note: Do not use tools without SDS-plus for hammer drilling or chiselling! Tools without SDS-plus and their drill chucks are damaged by hammer drilling or chiselling.

- Insert the quick change keyless chuck **13**.
- Firmly hold the retaining ring of the quick change keyless chuck **13**. Open the quick change keyless chuck by turning the front sleeve in the direction of the symbol “**RELEASE, AUF**”.
- Insert the drilling tool into the quick change keyless chuck **13**. Firmly hold the retaining ring of the quick change keyless chuck **13** and turn the front sleeve in the direction of the symbol “**GRIP, ZU**”.
- Check the tight seating by pulling the tool.

Note: If the tool holder was opened to the stop, then the latching noise possibly may be heard while closing the tool holder and the tool holder will not close.

In this case, turn the front sleeve **14** once in the opposite direction of the arrow. Afterwards, the tool holder can be closed (tightened) again.

- Turn the mode selector switch **5** to the “drilling” position.

10 | English

Removing Drilling Tools without SDS-plus (see figure E)

- Firmly hold the retaining ring of the quick change keyless chuck **13**. Open the quick change keyless chuck by turning the front sleeve in the direction of the symbol “**RELEASE, AUF**”.
- Remove the drilling tool.

Dust Extraction with the Dust Extraction Attachment (Accessory)

- ▶ Dusts from materials such as lead-containing coatings, some wood types, minerals and metal can be harmful to one's health. Touching or breathing-in the dusts can cause allergic reactions and/or lead to respiratory infections of the user or bystanders. Certain dusts, such as oak or beech dust, are considered as carcinogenic, especially in connection with wood-treatment additives (chromate, wood preservative). Materials containing asbestos may only be worked by specialists.
 - As far as possible, use a dust extraction system suitable for the material.
 - Provide for good ventilation of the working place.
 - It is recommended to wear a P2 filter-class respirator.
 Observe the relevant regulations in your country for the materials to be worked.
- ▶ **Prevent dust accumulation at the workplace.** Dusts can easily ignite.

Mounting the Dust Extraction Attachment (see figure F)

For dust extraction, the dust extraction attachment (accessory) is required. When drilling, the dust extraction attachment retracts so that the attachment head is always close to the surface at the drill hole.

- Press the button for depth stop adjustment **9** and remove the depth stop **11**. Press button **9** again and insert the dust extraction attachment into the auxiliary handle **10** from the front.
- Connect an extraction hose (diameter 19 mm, accessory) to the extraction sleeve **16** of the dust extraction attachment.

The vacuum cleaner must be suitable for the material being worked.

When vacuuming dry dust that is especially detrimental to health or carcinogenic, use a special vacuum cleaner.

Adjusting the Drilling Depth on the Dust Extraction Attachment (see figure G)

The required drilling depth **X** can also be adjusted when the dust extraction attachment is mounted.

- Insert the SDS-plus drilling tool to the stop into the SDS-plus tool holder **1**. Otherwise, the movability of the SDS-plus drilling tool can lead to incorrect adjustment of the drilling depth.
- Loosen the wing bolt **20** on the dust extraction attachment.
- Without switching the power tool on, apply it firmly to the drilling location. The SDS-plus drilling tool must face against the surface.
- Position the the guide pipe **21** of the dust extraction attachment in its holding fixture in such a manner that the

head of the dust extraction attachment faces against the surface to be drilled. Do not slide the guide pipe **21** further over the telescopic pipe **19** of the dust extraction attachment than required, so that as much as possible of the scale **19** on the telescopic pipe remains visible.

- Retighten the wing bolt **20** again. Loosen the clamping screw **17** on the depth stop of the dust extraction attachment.
- Move the depth stop **18** on the telescopic pipe **19** in such a manner that the clearance **X** shown in the figure corresponds with the required drilling depth.
- Tighten the clamping screw **17** in this position.

Operation**Starting Operation**

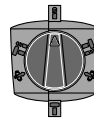
- ▶ **Observe correct mains voltage! The voltage of the power source must agree with the voltage specified on the nameplate of the machine. Power tools marked with 230 V can also be operated with 220 V.**

Setting the operating mode

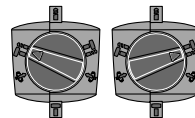
The operating mode of the power tool is selected with the mode selector switch **5**.

Note: Change the operating mode only when the machine is switched off! Otherwise, the machine can be damaged.

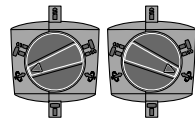
- Turn the mode selector switch **5** to the requested position.



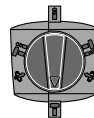
Position for **drilling** without impact in wood, metal, ceramic and plastic as well as for screwdriving



Position for **hammer drilling** in concrete or stone
When the drilling tool does not immediately rotate upon switching on, allow the machine to run slowly until the drilling tool rotates.



Vario-Lock position for adjustment of the chiselling position





Position for **chiselling**

Reversing the rotational direction

- ▶ **Actuate the rotational direction switch **8** only when the machine is at a standstill.**

The rotational direction switch **8** is used to reverse the rotational direction of the machine.

Right rotation: Turn the rotational direction switch **8** to the stop in the position .

Left rotation: Turn the rotational direction switch **8** to the stop in the position .

Set the direction of rotation for hammer drilling, drilling and chiselling always to right rotation.

Switching On and Off

- To **start** the machine, press the On/Off switch **7** and keep it pressed.
- To **switch off** the machine, release the On/Off switch **7**.

For low temperatures, the power tool reaches the full hammer/impact capacity only after a certain time.

Setting the Speed/Impact Rate

The speed/impact rate of the switched on power tool can be variably adjusted, depending on how far the On/Off switch **7** is pressed.

Light pressure on the On/Off switch **7** results in low speed/impact rate. Further pressure on the switch increases the speed/impact rate.

Safety Clutch

- ▶ **If the tool insert becomes caught or jammed, the drive to the drill spindle is interrupted. Because of the forces that occur, always hold the power tool firmly with both hands and provide for a secure stance.**
- ▶ **If the power tool jams, switch the machine off and loosen the tool insert. When switching the machine on with the drilling tool jammed, high reaction torques can occur.**

Changing the Chiselling Position (Vario-Lock)

The chisel can be locked in 13 positions. In this manner, the optimum working position can be set for each application.

- Insert the chisel into the tool holder.
- Turn the mode selector switch **5** to the “Vario-Lock” position (see “Setting the operating mode”, page 10).
- Turn the tool holder to the desired chiselling position.
- Turn the mode selector switch **5** to the “chiselling” position. The tool holder is now locked.
- For chiselling, set the rotation direction to right rotation.

Working Advice

- ▶ **Before any work on the machine itself, pull the mains plug.**
- ▶ **Apply the power tool to the screw/nut only when it is switched off.** Rotating tool inserts can slip off.
- ▶ **Hold power tool by insulated gripping surfaces, when performing an operation where the cutting accessory may contact hidden wiring or its own cord.** Cutting accessory contacting a “live” wire may make exposed metal parts of the power tool “live” and could give the operator an electric shock.

Vibration Damper



The integrated vibration damper reduces occurring vibrations.

Maintenance and Service

Maintenance and Cleaning

- ▶ **Before any work on the machine itself, pull the mains plug.**
- ▶ **For safe and proper working, always keep the machine and ventilation slots clean.**
- ▶ **A damaged dust protection cap should be changed immediately. We recommend having this carried out by an after-sales service.**

If the replacement of the supply cord is necessary, this has to be done by Bosch or an authorized Bosch service agent in order to avoid a safety hazard.

If the machine should fail despite the care taken in manufacturing and testing procedures, repair should be carried out by an after-sales service centre for Bosch power tools.

In all correspondence and spare parts order, please always include the 10-digit article number given on the type plate of the machine.

After-sales Service and Application Service

Our after-sales service responds to your questions concerning maintenance and repair of your product as well as spare parts. Exploded views and information on spare parts can also be found under:

www.bosch-pt.com

Bosch's application service team will gladly answer questions concerning our products and their accessories.

People's Republic of China

China Mainland

Bosch Power Tools (China) Co., Ltd.
567, Bin Kang Road
Bin Jiang District 310052
Hangzhou, P. R. China
Service Hotline: 4008268484
Fax: (0571) 87774502
E-Mail: contact.ptcn@cn.bosch.com
www.bosch-pt.com.cn

HK and Macau Special Administrative Regions

Robert Bosch Hong Kong Co. Ltd.
21st Floor, 625 King's Road
North Point, Hong Kong
Customer Service Hotline: +852 2101 0235
Fax: +852 2590 9762
E-Mail: info@hk.bosch.com
www.bosch-pt.com.hk

12 | English**Indonesia**

PT. Robert Bosch
 Arkadia Office Park, Tower F
 7th Floor, Suite 703-705
 Jl. TB. Simatupang 88
 Jakarta 12520
 Indonesia
 Tel.: (021) 3005 6565
 Fax: (021) 3005 5801
 E-Mail: boschpowertools@id.bosch.com
 www.bosch-pt.co.id

Philippines

Robert Bosch, Inc.
 28th Floor Fort Legend Towers,
 3rd Avenue corner 31st Street,
 Fort Bonifacio Global City,
 1634 Taguig City, Philippines
 Tel.: (02) 8703871
 Fax: (02) 8703870
 matheus.contiero@ph.bosch.com
 www.bosch-pt.com.ph

Bosch Service Center:
 9725-27 Kamagong Street
 San Antonio Village
 Makati City, Philippines
 Tel.: (02) 8999091
 Fax: (02) 8976432
 rosalie.dagdagan@ph.bosch.com

Malaysia

Robert Bosch (S.E.A.) Sdn. Bhd.
 No. 8A, Jalan 13/6
 G.P.O. Box 10818
 46200 Petaling Jaya
 Selangor, Malaysia
 Tel.: (03) 79663194
 Fax: (03) 79583838
 cheehoe.on@my.bosch.com
 Toll-Free: 1800 880188
 www.bosch-pt.com.my

Thailand

Robert Bosch Ltd.
 Liberty Square Building
 No. 287, 11 Floor
 Silom Road, Bangrak
 Bangkok 10500
 Tel.: 02 6393111, 02 6393118
 Fax: 02 2384783
 Robert Bosch Ltd., P. O. Box 2054
 Bangkok 10501, Thailand
 www.bosch.co.th

Bosch Service – Training Centre
 La Salle Tower Ground Floor Unit No.2
 10/11 La Salle Moo 16
 Srinakharin Road
 Bangkaew, Bang Plee
 Samutprakarn 10540
 Thailand
 Tel.: 02 7587555
 Fax: 02 7587525

Singapore

Robert Bosch (SEA) Pte. Ltd.
 11 Bishan Street 21
 Singapore 573943
 Tel.: 6571 2772
 Fax: 6350 5315
 leongheng.leow@sg.bosch.com
 Toll-Free: 1800 3338333
 www.bosch-pt.com.sg

Vietnam

Robert Bosch Vietnam Co. Ltd
 10/F, 194 Golden Building
 473 Dien Bien Phu Street
 Ward 25, Binh Thanh District
 84 Ho Chi Minh City
 Vietnam
 Tel.: (08) 6258 3690 ext. 413
 Fax: (08) 6258 3692
 hieu.lagia@vn.bosch.com
 www.bosch-pt.com

Australia, New Zealand and Pacific Islands

Robert Bosch Australia Pty. Ltd.
 Power Tools
 Locked Bag 66
 Clayton South VIC 3169
 Customer Contact Center
 Inside Australia:
 Phone: (01300) 307044
 Fax: (01300) 307045
 Inside New Zealand:
 Phone: (0800) 543353
 Fax: (0800) 428570
 Outside AU and NZ:
 Phone: +61 3 95415555
 www.bosch.com.au

Disposal

The machine, accessories and packaging should be sorted for environmental-friendly recycling.
 Do not dispose of power tools into household waste!

Subject to change without notice.