

DEWALT®

D26430

Dansk	7
--------------	----------

Deutsch	13
----------------	-----------

English	20
----------------	-----------

Español	26
----------------	-----------

Français	32
-----------------	-----------

Italiano	38
-----------------	-----------

Nederlands	44
-------------------	-----------

Norsk	50
--------------	-----------

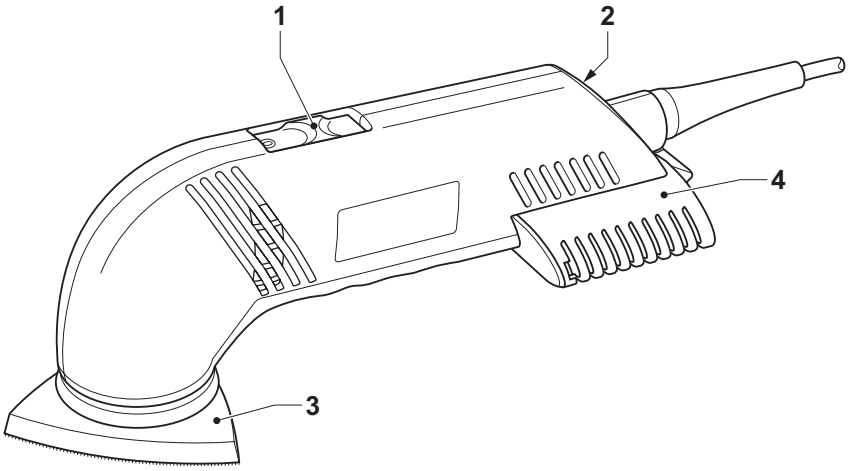
Português	56
------------------	-----------

Suomi	62
--------------	-----------

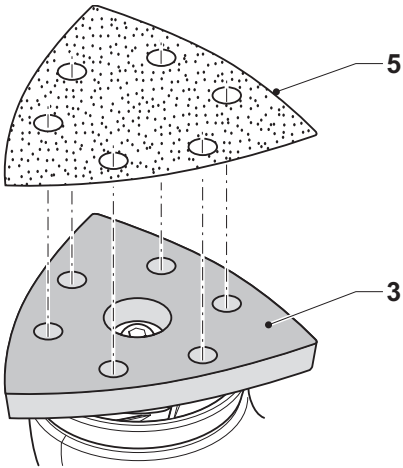
Svenska	68
----------------	-----------

Türkçe	74
---------------	-----------

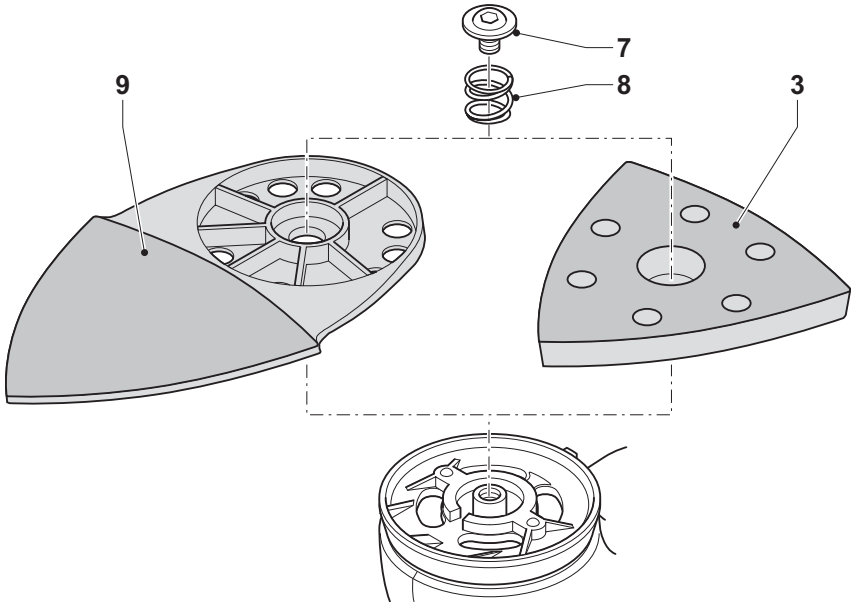
Ελληνικά	80
-----------------	-----------



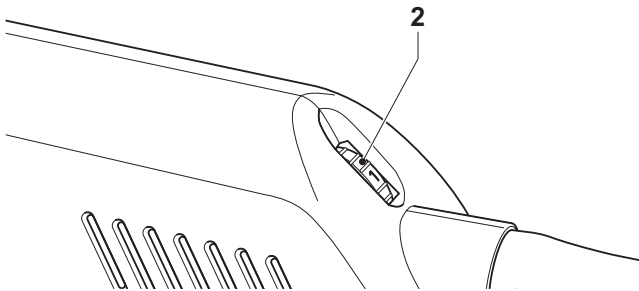
A



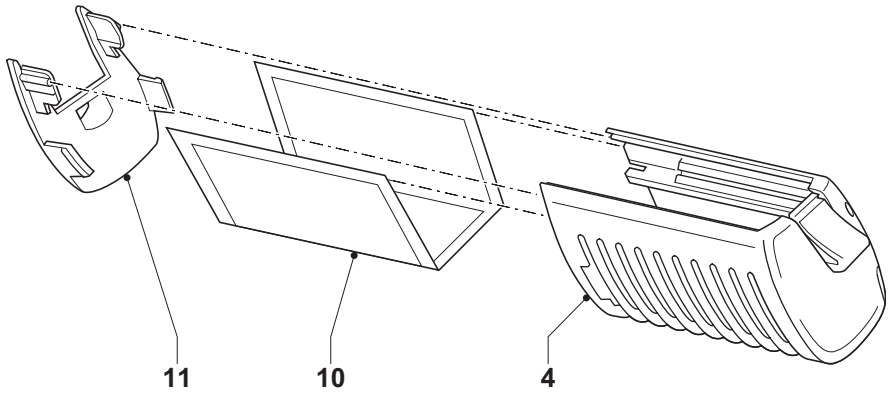
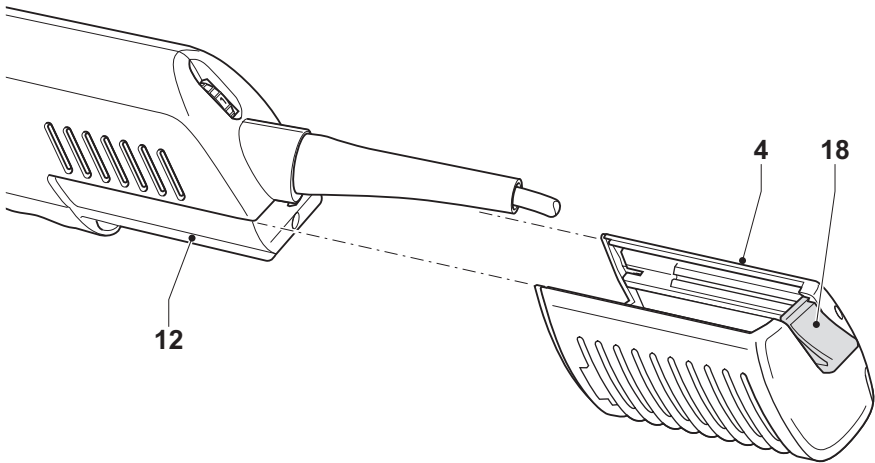
B

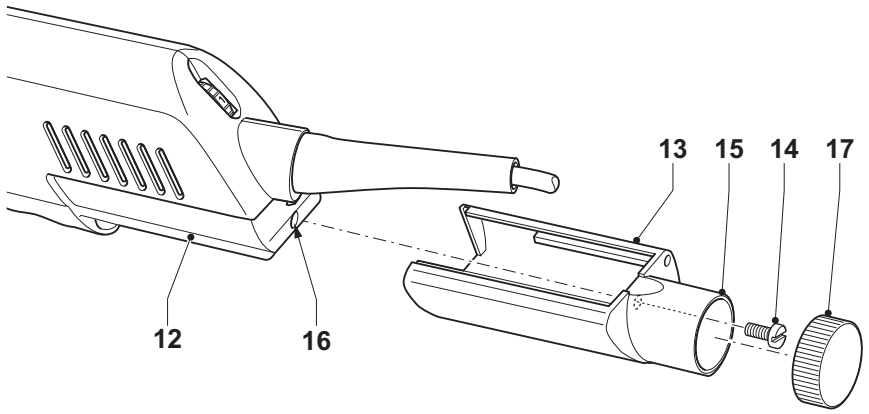


C



D

**E****F**



G

DETAIL SANDER D26430

Congratulations!

You have chosen a DeWALT tool. Years of experience, thorough product development and innovation make DeWALT one of the most reliable partners for professional power tool users.

Technical data

	D26430	
Voltage	V	230
Power input	W	300
Pad size	mm	93 x 93 x 93
Orbits	min ⁻¹	14,000 - 22,000
Orbit ϕ	mm	1.8
Weight	kg	1.3

Fuses:

Europe	230 V tools	10 Amperes, mains
U.K. & Ireland	230 V tools	13 Amperes, in plugs

The following symbols are used throughout this manual:



Denotes risk of personal injury, loss of life or damage to the tool in case of non-observance of the instructions in this manual.



Denotes risk of electric shock.



Fire hazard.



Explosion hazard.

EC-Declaration of conformity



D26430

DeWALT declares that these power tools have been designed in compliance with: 98/37/EEC, 89/336/EEC, 86/188/EEC, EN 55014-2, EN 55014-1, EN 60745, EN 61000-3-2 & EN 61000-3-3.

For more information, please contact DeWALT at the address below, or refer to the back of the manual.

	D26430	
L_{pA} (sound pressure)	dB(A)	78
L_{WA} (acoustic power)	dB(A)	87.5
Weighted RMS acceleration value		4 m/s ²
K_{pA} (sound pressure uncertainty)	dB(A)	2.8
K_{WA} (acoustic power uncertainty)	dB(A)	2.8

Director Engineering and Product Development
Horst Großmann

DeWALT, Richard-Klinger-Straße 11
D-65510, Idstein, Germany

General safety rules

Warning! Read all instructions. Failure to follow all instructions listed below may result in electric shock, fire and/or serious injury. The term „power tool“ in all of the warnings listed below refers to your mains operated (corded) power tool or battery operated (cordless) power tool. **SAVE THESE INSTRUCTIONS.**

1 Work area

- a **Keep work area clean and well lit.** Cluttered and dark areas invite accidents.
- b **Do not operate power tools in explosive atmospheres, such as in the presence of flammable liquids, gases or dust.** Power tools create sparks which may ignite the dust or fumes.
- c **Keep children and bystanders away while operating a power tool.** Distractions can cause you to lose control.

2 Electrical safety

- a **Power tool plugs must match the outlet.** Never modify the plug in any way. Do not use any adapter plugs with earthed (grounded) power tools. Unmodified plugs and matching outlets will reduce risk of electric shock.
- b **Avoid body contact with earthed or grounded surfaces such as pipes, radiators, ranges and refrigerators.** There is an increased risk of electric shock if your body is earthed or grounded.
- c **Do not expose power tools to rain or wet conditions.** Water entering a power tool will increase the risk of electric shock.
- d **Do not abuse the cord.** Never use the cord for carrying, pulling or unplugging the power tool. Keep cord away from heat, oil, sharp edges or moving parts. Damaged or entangled cords increase the risk of electric shock.
- e **When operating a power tool outdoors, use an extension cord suitable for outdoor use.** Use of a cord suitable for outdoor use reduces the risk of electric shock.

3 Personal safety

- a **Stay alert, watch what you are doing and use common sense when operating a power tool.**

Do not use a power tool while you are tired or under the influence of drugs, alcohol or medication. A moment of inattention while operating power tools may result in serious personal injury.

- b **Use safety equipment. Always wear eye protection.** Safety equipment such as dust mask, non-skid safety shoes, hard hat, or hearing protection used for appropriate conditions will reduce personal injuries.
- c **Avoid accidental starting. Ensure the switch is in the off position before plugging in.** Carrying power tools with your finger on the switch or plugging in power tools that have the switch on invites accidents.
- d **Remove any adjusting key or wrench before turning the power tool on.** A wrench or a key left attached to a rotating part of the power tool may result in personal injury.
- e **Do not overreach. Keep proper footing and balance at all times.** This enables better control of the power tool in unexpected situations.
- f **Dress properly. Do not wear loose clothing or jewellery. Keep your hair, clothing and gloves away from moving parts.** Loose clothes, jewellery or long hair can be caught in moving parts.
- g **If devices are provided for the connection of dust extraction and collection facilities, ensure these are connected and properly used.** Use of these devices can reduce dust related hazards.

4 Power tool use and care

- a **Do not force the power tool. Use the correct power tool for your application.** The correct power tool will do the job better and safer at the rate for which it was designed.
- b **Do not use the power tool if the switch does not turn it on and off.** Any power tool that cannot be controlled with the switch is dangerous and must be repaired.
- c **Disconnect the plug from the power source before making any adjustments, changing accessories, or storing power tools.** Such preventive safety measures reduce the risk of starting the power tool accidentally.

- d **Store idle power tools out of the reach of children and do not allow persons unfamiliar with the power tool or these instructions to operate the power tool.** Power tools are dangerous in the hands of untrained users.
- e **Maintain power tools. Check for misalignment or binding of moving parts, breakage of parts and any other condition that may affect the power tools operation. If damaged, have the power tool repaired before use.** Many accidents are caused by poorly maintained power tools.
- f **Keep cutting tools sharp and clean.** Properly maintained cutting tools with sharp cutting edges are less likely to bind and are easier to control.
- g **Use the power tool, accessories and tool bits etc., in accordance with these instructions and in the manner intended for the particular type of power tool, taking into account the working conditions and the work to be performed.** Use of the power tool for operations different from those intended could result in a hazardous situation.

5 Service

- a **Have your power tool serviced by a qualified repair person using only identical replacement parts.** This will ensure that the safety of the power tool is maintained.

Additional safety rules for sanders



Contact with or inhalation of dusts arising from sanding applications may endanger the health of the operator and possible bystanders. Wear a dust mask specifically designed for protection against toxic dust and fumes and ensure that persons within or entering the work area are also protected.

- Use this tool in a well-ventilated area when sanding ferrous metals. Do not operate the tool near flammable liquids, gases or dust. Sparks or hot particles from sanding or arcing motor brushes may ignite combustible materials.
- Do not use the dust filter cassette or the dust extraction adaptor to store objects.

Sanding paint

Observe the applicable regulations for sanding paint. Pay special attention to the following:

- 1 Whenever possible, use a vacuum extractor for dust collection.
- 2 Take special care when sanding paint which is possibly lead based:
 - Do not let children or pregnant women enter the work area.
 - All persons entering the work area should wear a mask specially designed for protection against lead paint dust and fumes.
 - Do not eat, drink or smoke in the work area.
- 3 Dispose of dust particles and any other removal debris safely.

Package contents

The package contains:

- 1 Detail sander
 - 1 Dust filter cassette
 - 1 Dust filter
 - 3 Sheets of sanding paper
 - 1 Instruction manual
 - 1 Exploded drawing
- Check for damage to the tool, parts or accessories which may have occurred during transport.
 - Take the time to thoroughly read and understand this manual prior to operation.

Description (fig. A)

Your detail sander D26430 has been designed for quick sanding of wood, metal and plastics in a professional environment.

- 1 On/off switch
- 2 Speed control dial
- 3 Sanding pad
- 4 Dust filter cassette

Electrical safety

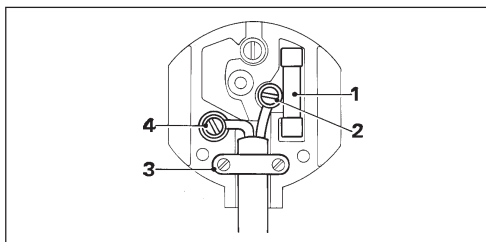
The electric motor has been designed for one voltage only. Always check that the power supply corresponds to the voltage on the rating plate.



Your DEWALT tool is double insulated in accordance with EN 60745; therefore no earth wire is required.

Mains plug replacement (U.K. & Ireland only)

- Should your mains plug need replacing and you are competent to do this, proceed as instructed below. If you are in doubt, contact an authorized DeWALT repair agent or a qualified electrician.
- Disconnect the plug from the supply.
- Cut off the plug and dispose of it safely; a plug with bared copper conductors is dangerous if engaged in a live socket outlet.
- Only fit 13 Amperes BS1363A approved plugs fitted with the correctly rated fuse (1).
- The cable wire colours, or a letter, will be marked at the connection points of most good quality plugs. Attach the wires to their respective points in the plug (see below). Brown is for Live (L) (2) and Blue is for Neutral (N) (4).
- Before replacing the top cover of the mains plug ensure that the cable restraint (3) is holding the outer sheath of the cable firmly and that the two leads are correctly fixed at the terminal screws.



Never use a light socket.
Never connect the live (L) or neutral (N) wires to the earth pin marked E or \perp .

For 115 V units with a power rating exceeding 1500 W, we recommend to fit a plug to BS4343 standard.

Using an extension cable

If an extension cable is required, use an approved extension cable suitable for the power input of this tool (see technical data). The minimum conductor size is 1.5 mm².

When using a cable reel, always unwind the cable completely.

Also refer to the table below.

Conductor size (mm ²)	Cable rating (Amperes)	
0.75	6	
1.00	10	
1.50	15	
2.50	20	
4.00	25	

		Cable length (m)					
		7.5	15	25	30	45	60
Voltage	Amperes	Cable rating (Amperes)					
	115	0 - 2.0	6	6	6	6	6
	2.1 - 3.4	6	6	6	6	15	15
	3.5 - 5.0	6	6	10	15	20	20
	5.1 - 7.0	10	10	15	20	20	25
	7.1 - 12.0	15	15	20	25	25	-
	12.1 - 20.0	20	20	25	-	-	-
230	0 - 2.0	6	6	6	6	6	6
	2.1 - 3.4	6	6	6	6	6	6
	3.5 - 5.0	6	6	6	6	10	15
	5.1 - 7.0	10	10	10	10	15	15
	7.1 - 12.0	15	15	15	15	20	20
	12.1 - 20.0	20	20	20	20	25	-

Assembly and adjustment



Prior to assembly and adjustment always unplug the tool.

Fitting sanding sheets (fig. B)

The tool uses hook and loop sanding sheets.

- Place the tool on a table, sanding pad (3) up.
- Place the sanding sheet (5) directly on top of the sanding pad.
- Hold the sanding pad with one hand and align the dust extraction holes.
- Press the sheet firmly onto the sanding pad.

Rotating the sanding pad (fig. A)

The sanding pad is adjustable in 60° increments.

- Hold the tool upside down.
- Lift the sanding pad (3) up from the tool.
- At the same time, rotate the sanding pad in the desired direction.
- Release the sanding pad.
- Move the sanding pad back and forth slightly until it engages in position.

Mounting the louvre attachment (fig. C)

Fitted with sanding sheets on both sides, the louvre attachment is used to sand crevices. The louvre attachment is available as an option.

- Place the tool on a table, sanding pad (3) up.
- Loosen the screw (7) and remove it using the Allen key provided.
- Remove the spring (8) from the recess in the sanding pad.
- Remove the sanding pad.
- Locate the louvre attachment (9) so that it engages in position and cannot be turned.
- Place the spring (8) in the recess.
- Fit the screw (7) and tighten it.

Setting the electronic speed control dial (fig. D)

The speed is infinitely variable from 14,000 - 22,000 min⁻¹ using the electronic speed control dial (2).

- Turn the electronic speed control dial to the required level. The correct setting, however, is a matter of experience.
- Generally, harder materials require a higher setting.

Dust extraction (fig. E - G)



Since woodworking with a sander produces dust, always install a dustbag designed in compliance with the applicable directives regarding dust emission.



Do not use a dustbag or vacuum extractor without proper spark protection when sanding metal.

- Slide a dust filter (10) into the cassette (4) as shown.
- Fit the cover (11) onto the cassette.
- Attach the cassette (4) to the dust extraction outlet (12).
- Push the cassette firmly until it locks in position.

Fitting the dust extraction adaptor (fig. G)

The dust extraction adaptor (13) is available as an option.

- Remove the dust filter cassette, if fitted.
- Attach the adaptor (13) to the dust extraction outlet (12).

- Pass the screw (14) through the adaptor outlet (15) into the mounting hole (16). Tighten the screw.
- Connect the hose of a suitable dust extraction system to the adaptor.
- Alternatively, when no dust extraction is required, place the end cap (17) on the adaptor outlet (15).

Instructions for use



Always observe the safety instructions and applicable regulations.

- Make sure all materials to be sanded are well secured.
- Apply only a gentle pressure to the workpiece. Excessive pressure does not improve the sanding effect, but only results in an increased load on the machine and causes the abrasive to tear.
- Avoid overloading.



Do not sand magnesium!

Switching on and off (fig. A)

- Switching on: slide the on/off switch (1) forward.
- Switching off: slide the on/off switch backward.

Sanding (fig. A)

- Start with the coarsest grit size.
- As the tool produces small scratch marks in all directions, it is not necessary to sand with the grain.
- Check your work at short intervals.

Always switch off the tool when work is finished and before unplugging.

Replacing the dust filter (fig. E & F)

For efficient dust extraction replace the dustbag when it is about one third full.

- Press the latch (18) on the dust filter cassette (4)
- Pull the dust filter cassette backward and off the tool.
- Empty the cassette into a waste container.
- Remove the cover (11) from the cassette.
- Slide the dust filter (10) out.
- Fit a new dust filter following the instructions as described above.

Consult your dealer for further information on the appropriate accessories.

Maintenance

Your DeWALT power tool has been designed to operate over a long period of time with a minimum of maintenance. Continuous satisfactory operation depends upon proper tool care and regular cleaning.



Lubrication

Your power tool requires no additional lubrication.



Cleaning

Keep the ventilation slots clear and regularly clean the housing with a soft cloth.

- After the tool is used in metal sanding applications without dust filter, clean the tool using low-pressure air.



Unwanted tools and the environment

Take your tool to an authorized DeWALT repair agent where it will be disposed of in an environmentally safe way.

GUARANTEE

• 30 DAY NO RISK SATISFACTION GUARANTEE •

If you are not completely satisfied with the performance of your DeWALT tool, simply return it within 30 days, complete as purchased, to the point of purchase, for a full refund or exchange. Proof of purchase must be produced.

• ONE YEAR FREE SERVICE CONTRACT •

If you need maintenance or service for your DeWALT tool, in the 12 months following purchase, it will be undertaken free of charge at an authorized DeWALT repair agent. Proof of purchase must be produced. Includes labour and spare parts for Power Tools. Excludes accessories.

• ONE YEAR FULL WARRANTY •

If your DeWALT product becomes defective due to faulty materials or workmanship within 12 months from the date of purchase, we guarantee to replace all defective parts free of charge or, at our discretion, replace the unit free of charge provided that:

- The product has not been misused.
- Repairs have not been attempted by unauthorized persons.
- Proof of purchase date is produced.

This guarantee is offered as an extra benefit and is additional to consumers statutory rights.

For the location of your nearest authorized DeWALT repair agent, please use the appropriate telephone number on the back of this manual. Alternatively, a list of authorized DeWALT repair agents and full details on our after-sales service are available on the Internet at www.2helpU.com

Belgique et Luxembourg België en Luxemburg	DeWALT Mechelen Campus, Schaliënhoevedreef 20 ^F B-2800 Mechelen	Tel: +32 (0)015 - 15 47 9211 Fax: +32 (0)015 - 15 47 9210 www.dewaltbenelux.com
Danmark	DeWALT Hejrevang 26 B 3450 Allerød	Tlf: 70 20 15 30 Fax: 48 14 13 99 www.dewalt-nordic.com
Deutschland	DeWALT Richard-Klinger-Straße 65510 Idstein	Tel: 06126-21-1 Fax: 06126-21-2770 www.dewalt.de
Ελλάς	Black & Decker (Hellas) S.A. Στραβωνος 7 & Βουλιαγμένης 159 Γλυφάδα 16674, Αθήνα	Τηλ: (01) 8981-616 Φαξ: (01) 8983-570 Service: (01) 8982-630
España	DeWALT Parque de Negocios "Mas Blau" Edificio Muntadas, c/Bergadá, 1, Of. A6 08820 El Prat de Llobregat (Barcelona)	Tel: 934 797 400 Fax: 934 797 439
France	DeWALT Le Paisy BP 21, 69571 Dardilly Cedex	Tel: 472 20 39 72 Fax: 472 20 39 02
Helvetia Schweiz	DeWALT Suisse Rütistraße 14 8952 Schlieren	Tel: 01 - 73 06 747 Fax: 01 - 73 07 067 www.dewalt.ch
Ireland	DeWALT Calpe House Rock Hill Black Rock, Co. Dublin	Tel: 00353-2781800 Fax: 00353-2781811
Italia	DeWALT Viale Elvezia 2 20052 Monza (Mi)	Tel: 0800-014353 Fax: 039-2387592
Nederland	DeWALT Florijnstraat 10 4879 AH Etten-Leur	Tel: 076 50 02 000 Fax: 076 50 38 184 www.dewalt.benelux.com
Norge	DeWALT Strømsveien 344 1011 Oslo	Tel: 22 90 99 00 Fax: 22 90 99 01 www.dewalt-nordic.com
Österreich	DeWALT Werkzeugevertriebs GmbH Erlaaerstraße 165, Postfach 320,1231 Wien	Tel: 01 - 66116 - 0 Fax: 01 - 66116 - 14 www.dewalt.at
Portugal	DeWALT Rua Egas Moniz 173 João do Estoril, 2766-651 Estoril	Tel: 214 66 75 00 Fax: 214 66 75 75
Suomi	DeWALT Palotie 3 01610 Vantaa	Puh: 98 25 45 40 Fax: 98 25 45 444 www.dewalt-nordic.com
	Brandvägen 3 01610 Vanda	Tel: 98 25 45 40 Fax: 98 25 45 444 www.dewalt-nordic.com
Sverige	DeWALT Box 603 421 26 Västra Frölunda, Besöksadr. Ekonomivägen 11	Tel: 031 68 61 00 Fax: 031 68 60 08 www.dewalt-nordic.com
Türkiye	Rota Elektrikli El Aletleri San. ve Tic Ltd. Şti. Dudullu Cad. Kerembey Sok. No.1 Özdemir İş Merkezi Küçükbakkalköy / İstanbul	Tel: (0216) 455 89 73 Faks: (0216) 455 20 52
United Kingdom	DeWALT 210 Bath Road Slough, Berks SL1 3YD	Tel: 01753-56 70 55 Fax: 01753-57 21 12