

evolution

www.evolutionbuild.com

evolution

RAGE 

255mm (10") TCT Multipurpose
Double Bevel Sliding Mitre Saw

Instruction Manual

Read instructions before operating this tool.



NL Instructies

Lees de instructies voordat u dit hulpprogramma.

FR Manuel D'Instruction

Lisez les instructions avant d'utiliser cet outil.

DE Gebrauchsanweisung

Lesen sie, bevor sie dieses tool.

GR Εγχειρίδιο Οδηγιών

Διαβάστε τις οδηγίες πριν από την εκτέλεση αυτού του εργαλείου.

IT Manuale Di Istruzioni

Leggere le istruzioni prima di utilizzare questo strumento.

PT Manual De Instruções

Ler instruções antes de utilizar esta ferramenta.

ES Manual De Instrucciones

Lea las instrucciones antes de utilizar esta herramienta.



EC - DECLARATION OF CONFORMITY

We, **Evolution Power Tools Limited, Venture One, Longacre Close, Sheffield, S20 3FR** as the supplier of the product listed below:

RAGE3 255mm TCT Multipurpose
Double Bevel Sliding Mitre Saw

Part Number RAGE3255DB1 / RAGE3255DB2
/ RAGE3255DB2EU
Voltage 110/230v
Power 1800W

Declare, under our sole responsibility that the equipment to which this document relates, is in conformity with the following standards or other normative documents:

- EN60335-1: 1994+A1+A2+A11-A16
- EN55014-1: 2000+A1+A2
- EN55014-2: 1997+A1
- EN61000-3-2: 2000
- EN61000-3-3: 1995+A1
- EN61000-3-11: 2000
- EN60745-1/A1:2003
- EN60745-2-5:2003

And thereby conforms to the protection requirements of Council Directive **73/23/EEC** amended by **93/68/EEC** relating to the Low Voltage Directive, Council Directive **98/37/EEC** relating to the Machine Directive and Council Directive **89/336/EEC** relating to the EMC Directive, and is compliant with Council Directive **2002/95/EC** in relation to the Restriction of Hazardous Substances in electrical & electronic equipment (RoHS). EU Directive **2002/95/EC** restricts the use of the 6 substances below in the manufacture of specific types of electrical equipment. Whilst this restriction does not legally apply to components, it is recognized that component 'compliance' is relevant to many customers.

Evolution Power Tools definition of RoHS Compliance:

- The product does not contain any restricted substances in concentrations and applications banned by the directive and for components, the product is capable of being worked at the higher temperatures required by lead-free soldering.

- The restricted substances and maximum allowed concentrations in homogenous materials are, by weight:

- Lead – 0.1%**
- Mercury – 0.1%**
- PBB (Polybrominated Biphenyls) – 0.1%**
- PBDE (Polybrominated Diphenyl Ethers) – 0.1%**
- Hexavalent Chromium – 0.1%**
- Cadmium – 0.01%**

Level of Sound pressure according to **86/188/EEC, 98/37/EEC & 2000/14/EC**

Guaranteed Sound Power Level 98.08 dB(A)

All relevant technical documentation is held at Evolution Power Tools Ltd, Sheffield, United Kingdom.

Authorised By



Mr Matthew J Gavins
Managing Director



9th May 2007

GB 07

NL 13

FR 19

DE 25

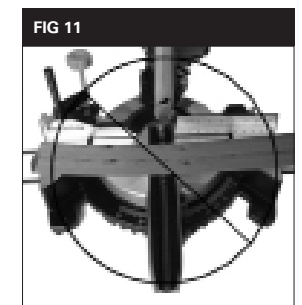
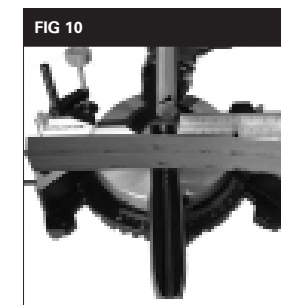
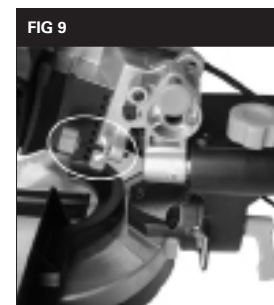
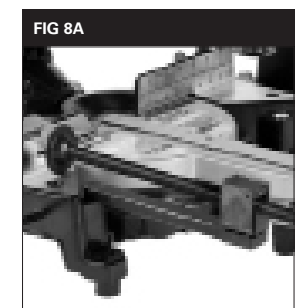
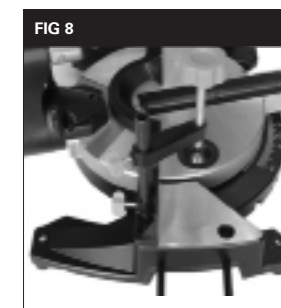
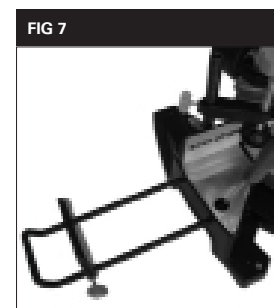
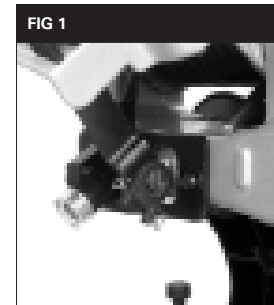
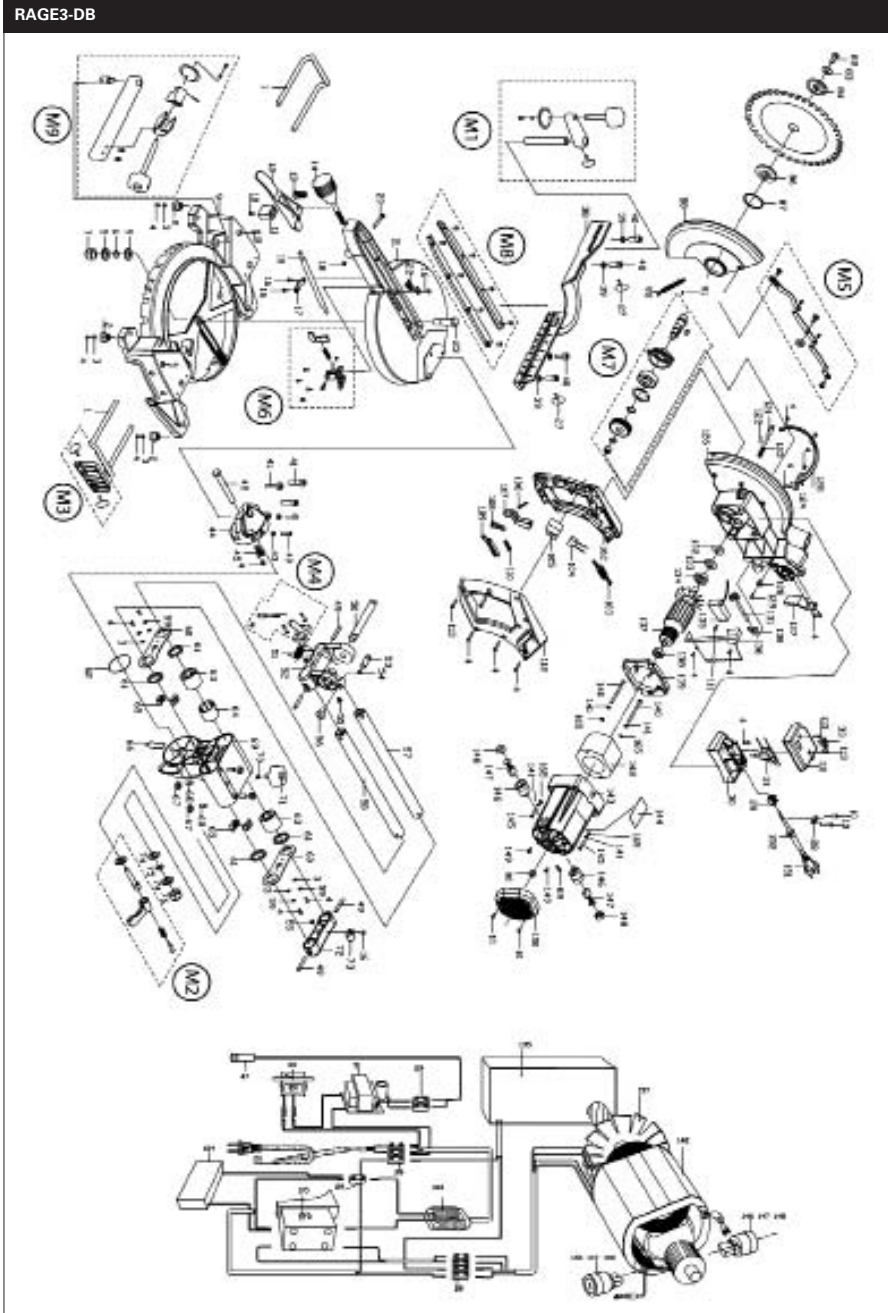
GR 31

IT 37

PT 43

ES 49





GB

Instruction Manual

Read instructions before operating this tool.



IMPORTANT

GB

Please read these operating and safety instructions carefully and completely. For your own safety, before using this equipment check that the voltage is correct and that all handles and parts are firmly secured. If you are uncertain about any aspect of using this equipment, please contact our Technical Helpline.

Technical Helpline UK: 0870 609 2297
Technical Helpline USA: 1-866-EVO-TOOL

RAGE3 Multipurpose Sliding Mitre Saw

Congratulations on your purchase of an Evolution Power Tools Rage 3 Sliding Mitre Saw. Please complete and mail your product registration card. Doing so will validate your machine's warranty period and ensure prompt service if needed. We sincerely thank you for selecting a product from Evolution Power Tools.

IMPORTANT SAFETY INSTRUCTIONS

GB

To reduce the risk of electric shock, this equipment is fitted with an approved cord and plug for its intended Country of use. Do not change the plug in any way.

GENERAL SAFETY RULES

GB

WARNING: For your own safety.

Read instruction manual before operating mitre saw.

1. **KEEP GUARDS IN PLACE** and in working order.
2. **REMOVE ADJUSTING KEYS AND WRENCHES.** Form habit of checking to see that keys and adjusting wrenches are removed from tool before turning it on.
3. **KEEP WORK AREA CLEAN.** Cluttered areas and benches invite accidents.
4. **DON'T USE IN DANGEROUS ENVIRONMENT.** Don't use power tools in damp or wet locations, or expose them to rain. Keep work area well lit.
5. **KEEP CHILDREN AWAY.** All visitors should be kept a safe distance from work area.
6. **DON'T FORCE TOOL.** It will do the job better and safer at the rate for which it was designed.
7. **USE PROPER EXTENSION CORD.** Make sure your extension cord is in good condition. When using an extension cord, be sure to use one heavy enough to carry the current your product will draw. An undersized cord will cause a drop in line voltage resulting in loss of power and overheating.
8. **WEAR PROPER APPAREL.** Do not wear loose clothing, gloves, neckties, rings, bracelets, or other jewellery which may get caught in moving parts. Nonslip footwear recommended. Wear protective hair covering to contain long hair.
9. **ALWAYS USE SAFETY GLASSES.** Also use face or dust mask if cutting operation is dusty. Everyday eyeglasses only have impact resistant lenses, they are NOT safety glasses.
10. **SECURE WORK.** Use clamps to hold work when practical. It's safer than using your hand and it frees both hands to operate tool.
11. **DON'T OVERREACH.** Keep proper footing and balance at all times.
12. **MAINTAIN TOOLS WITH CARE.** Keep tools sharp and clean for best and safest performance. Follow instructions for lubricating and changing accessories.
13. **DISCONNECT TOOLS** before servicing and when changing accessories, such as blades.
14. **REDUCE THE RISK OF UNINTENTIONAL STARTING.** Make sure switch is in off position before plugging in.
15. **USE RECOMMENDED ACCESSORIES.** Only use genuine Evolution accessories.
16. **NEVER STAND ON TOOL.** Serious injury could occur if the tool is tipped or if the cutting tool is unintentionally contacted.
17. **CHECK DAMAGED PARTS.** Before further use of the tool, a guard or other part that is damaged should be carefully checked to determine that it will operate properly and perform its intended function - check for alignment of moving parts, binding of moving parts, breakage of parts, mounting, and any other conditions that may affect its operation. A guard or other part that is damaged should be properly repaired or replaced.

18. Keep hands out of path of saw blade.
19. Never reach around saw blade.
20. Turn off tool and wait for saw blade to stop before moving workpiece or changing settings.
21. Disconnect power before changing blade, servicing or cleaning.
22. To reduce the risk of injury, return carriage to the full rear position after each crosscut operation.

SAVE THESE INSTRUCTIONS FOR FUTURE REFERENCE ADDITIONAL SAFETY INSTRUCTION.

1. Although compact, this saw is heavy. To reduce the risk of back injury, get help whenever you have to lift the saw.
2. To reduce the risk of back injury, hold the tool close to your body when lifting. Bending your knees so you can lift with your legs, not your back. Lift by using the handhold areas at each side of the bottom of the base.
3. Never carry the mitre saw by the power cord or the trigger grip of the handle. Carrying the tool by the power cord could cause damage to the insulation or the wire connections resulting in electric shock or fire.
4. Before removing the saw from the carton tighten the slide lock knob to guard against sudden movement.
5. Place the saw on a secure stationary work surface and check the saw over carefully.
6. Warning. Do not stare directly at the laser beam. A hazard may exist if you deliberately stare into the beam, please observe all safety rules as follows.
 - The laser beam shall not be deliberately aimed at personnel and shall be prevented from being directed towards the eyes of a person.
 - Always ensure the laser beam is aimed at the workpiece without reflective surfaces, i.e. wood or rough coated surfaces are acceptable.
 - Do not change the laser light assembly with a different type.

SPECIFICATIONS

GB

Model RAGE3

Motor (230v ~ or 110v ~ 50/60 Hz) (Watts)	1800
RPM No Load (min-1)	2500
Recommended Maximum Duty Cycle (Minutes)	30
Sound Pressure Level (Under Load) (dB(A))	98
Vibration Level (Under Load) (m/s2)	1.98
Weight	19.6Kg

Blade Dimensions

Maximum Diameter	(10") 255mm
Bore Diameter	(1") 25.4mm
Thickness	(1/16") 2mm

Maximum Cutting Capacity			
Mitre	Bevel	Max Width Of Cut	Max Depth Of Cut
90°	90°	320mm (12.59")	75mm (2.95")
45°L / 45°R	45°	210mm (8.26")	40mm (1.57")
45°L / 45°R	90°	210mm (8.26")	75mm (2.95")
90°	45°	320mm (12.59")	40mm (1.57")
Optimum Cutting Thickness (Mild Steel Plate) (1/4") 6mm			

Standard Equipment Supplied With Unit

Multipurpose Blade, Box Spanner, Operating Instructions.

ADDITIONAL ACCESSORIES

In addition to the standard accessories supplied with this machine, other accessories are available to improve its performance, these include the following items:

1. Clamping System - the design of this machine allows for the use of one top and or two front clamps (if so desired), both are available as optional accessories. (Please Note: 1 x Top Clamp, 1 x Front Clamp are supplied as standard with this machine).

2. Diamond Blade - Convert this machine to a 'Tile Cutter'. By replacing the standard TCT Blade with the optional Diamond Blade, this machine becomes a tile cutter - suitable for most ceramic / porcelain tiles.

Additional accessories can be obtained by contacting your local dealer (or Evolution Power Tools).

ASSEMBLY

GB

MOUNTING THE MITRE SAW

WARNING: To reduce the risk of injury from unexpected saw movement, place the saw in the desired location either on a workbench or other recommended leg set. The base of the saw has four holes to mount the mitre saw. If the saw is to be used in one location, permanently fasten it to the workbench or leg set.

1. Tighten the sliding rail, mitre and bevel locks.
2. Place the saw so other people cannot stand behind it. Thrown debris could injure people in its path.
3. Place the saw on a firm, level surface where there is plenty of room for handling and properly supporting the workpiece.
4. Support the saw so the table is level and the saw does not rock.
5. Bolt or clamp the saw to its support.

INSTALLING OR REMOVING THE BLADE

WARNING: Only use genuine Evolution blades which are designed for this machine.

1. Ensure cutting head is up.
2. Remove the guard retaining clip. (Fig. 1)
3. Press safety lock button in and lift up the lower blade guard. (Fig. 2)
4. Press the black lock button to lock the arbor. (Fig. 3)
5. Using the supplied spanner, release the arbor screw to remove the blade. (Fig. 4)
6. Install the new 255 mm (10") blade. Make sure the rotation arrow on the blade matches the clockwise rotation arrow on the upper guard.
7. Install the blade washer and arbor screw.
8. Turn box spanner to secure the blade.
9. Tighten arbor screw using moderate force, but do not overtighten.
10. Replace the guard retaining clip. (Fig. 1)
11. Ensure the spanner is removed before operating the machine.

DEBRIS COLLECTION BAG

The Debris Collection Bag should be attached at the debris extraction port.

1. Slide the frame of the collection bag on to the outlet of the extraction port, ensuring that it is firmly connected.
2. To release the bag, slide the frame in the opposite direction.

WARNING - Before cutting metal materials, the collection bag **MUST** be emptied of all debris, using the convenient side zip.

FITTING THE REPEAT STOP

1. Loosen the thumb screw to allow the arms of the workpiece supports into the holes in the repeat stops.
2. Tighten the thumb screws firmly to minimize movement on the workpiece support.
3. Attach the workpiece support as detailed below.

NOTE: By loosening the thumb screws the repeat stop can be adjusted to required widths for each application.

FITTING THE WORKPIECE SUPPORT (Fig.7)

1. Loosen the support retaining screw located on the turntable.
2. Insert the workpiece support into the retaining holes in the base.
3. Tighten the retaining screw.

FITTING THE UPPER WORKPIECE CLAMP (Fig.8)

1. Fit the clamp to the retaining hole that best suits the cutting application, ensuring that it is fully pushed down.
2. Tighten the thumbscrew to lock the pillar.
3. Put the workpiece to be cut onto the saw bed.
4. Adjust the clamp so that it securely holds the workpiece.

FITTING THE FRONT WORKPIECE CLAMP (Fig.8a)

1. Fit the clamp to the retaining hole that best suits the cutting application.
2. Put the workpiece to be cut onto the saw bed.
3. Adjust the clamp so that it securely holds the workpiece.

NOTE: A combination of upper and front clamp should be used which best secures the workpiece.

DEPTH STOP (Fig. 9)

Use of the depth stop feature means that the blade will not cut completely through the workpiece depending on the depth that it is set to. This allows the operator to cut slots in the workpiece.

NOTE: It is advisable that the depth of cut is checked using a scrap piece of timber prior to undertaking the workpiece. By making a cut in the workpiece and then slightly moving the workpiece to the left or right before repeating, it is possible to perform trenching cuts in the workpiece.

To use the depth stop feature follow these steps:

1. Loosen the wing nut.
2. Adjust the thumb knob to the required depth.
3. Once set to the desired depth, tighten the wing nut against the retaining bracket to lock the depth stop and ensure that there is no movement.

CLEARING JAMMED MATERIAL

1. Turn mitre saw "OFF" by releasing trigger switch.
2. Wait for all moving parts to stop.
3. Unplug the mitre saw.
4. Remove jammed material from the unit.

OPERATING INSTRUCTION

GB

DISCONNECT THE MITRE SAW AND INSPECT YOUR SAW BEFORE EACH USE.

WARNING: To reduce the risk of injury, always unplug the saw before changing or adjusting anything. Compare the direction of rotation arrow on the guard to direction arrow on the blade. The blade teeth should always point downward at the front of the saw. Tighten the arbor screw. Tighten the cover plate screw.

PREPARING TO MAKE THE CUT

CAUTION: NEVER pull the saw toward you during a cut. The blade can suddenly climb up on top of the workpiece and force itself toward you.

- Avoid awkward operations & hand positions where a sudden slip could cause fingers or hand to move into the blade.
- Cut only one workpiece at a time.
- Clear everything except the workpiece and related support devices away from the blade before turning the mitre saw on.
- Secure workpiece using clamps to hold the workpiece securely.

MAKING COMMON SLIDE COMPOUND CUTS

There are two types of cuts that can be made with the slide compound mitre saw.

Slide Cutting - Loosen the side lock knob and move the cutting head towards the operator. The saw blade is lowered into the workpiece and then pushed to the rear of the saw to complete the cut. Used for cutting wide pieces.

1. Put wood against fence and secure with clamp as appropriate.
2. Loosen the slide lock knob.
3. Grasp the saw handle and pull the carriage until the arbor (centre of saw blade) is over the front edge of the workpiece.
4. Press the lower guard unlock lever for saw head release.
5. Switch on the saw and allow the saw to reach full speed.
6. Push the saw handle all the way down and cut through the leading edge of the workpiece.
7. Gently push the saw handle towards the fence completing the cut.
8. Push power head to full rear position after each cut.
9. Release the trigger to switch off the saw and allow blade to come to a complete stop before moving hands or remove the workpiece.

Chop Cutting - The slide lock knob is tightened and the saw handle is pushed down to cut through the workpiece. This type of cut is used mainly for narrow pieces.

1. Slide the cutting head to the rear as far as it will go.
2. Lock slide lock knob.
3. Place the workpiece on table and against fence and secure with clamp as appropriate.
4. Grasp the saw handle.
5. Turn on saw and allow the saw to reach full speed.
6. Press the lower guard unlock lever for saw head release.
7. Push the saw handle down and cut the workpiece.
8. After cut is complete turn off saw, allow blade to completely stop.

WARNING: For your convenient use, the saw has a blade brake. Never rely on it to replace proper use of the guard on your saw.

BODY AND HAND POSITION

1. Never place hands near cutting area and keep hand away from the path of blade.
2. Hold workpiece firmly to the fence to prevent movement toward the blade.
3. Before making a cut. Make a dry run with the power off so you can see the path of the blade.
4. Keep hands in position until trigger has been released and the blade has completely stopped.

MITRE CUT (Fig. 5)

An angle of up to 45° left or right can be obtained using the unit.

1. Loosen the sliding rail locking knob, push the saw handle back as far as it will go and lock the handle.
2. Loosen the mitre angle lock knob.
3. Pull up the mitre angle set lever.
4. Turn the table unit to the desired angle is indicated on the mitre angle pointer.
5. Tighten the angle lock knob to hold the desired angle.
6. Start the saw and allow it to reach full speed before commencing the cut.

BEVEL CUT (Fig. 6)

1. Lock the cutting head down with the cutting lock knob.
2. Loosen the bevel lock.
3. Adjust angle until the bevel angle point reaches the desired bevel angle.
4. Tighten the bevel lock.
5. Stand to the left side of the handle to make the cut.

COMPOUND CUT

When a compound cut is required. Select the desired bevel and mitre positions.

CUTTING BOWED MATERIAL (Fig 10 & 11)

Before cutting a workpiece, check to make sure it is not bowed. If it is bowed, the workpiece must be positioned and cut as illustrated. Do not position workpiece incorrectly or try to cut the workpiece without the support of the fence. This will cause pinching of the workpiece on the blade. The workpiece could suddenly jump or move and your hand could hit the blade.

MAINTENANCE

GB

CLEANING

Use only mild soap and damp cloth to clean the tool. Never let any liquid get inside the tool; never immerse any part of the tool into a liquid.

Regularly clean the tool's air vents with compressed dry air.

DO NOT ATTEMPT TO CLEAN BY INSERTING POINTED OBJECTS THROUGH OPENINGS.

LUBRICATION

All of the bearings in this tool are lubricated with a sufficient amount of high grade lubricant for the life of the unit under normal operating conditions. Therefore, no further lubrication is required.

DOUBLE BEVEL FACILITY

GB

Mitre	Bevel	Max Width Of Cut	Max Depth Of Cut
90°	90°	320mm (12.59")	75mm (2.95")
45°L / 45°R	45° / - 45°	225mm (8.85")	40mm (1.57")
45°L / 45°R	90°	225mm (8.85")	75mm (2.95")
90°	45° / - 45°	320mm (12.59")	40mm (1.57")

BEVEL CUT to 45° Left (Fig. 6)

1. Lock the cutting head down with the cutting head lock knob.
2. Loosen the bevel lock.
3. Adjust angle until the bevel angle point reaches the desired bevel angle.
4. Adjust the fence guard to allow for slide mechanism.
5. Tighten the bevel lock.
6. Stand to the left side of the handle to make the cut.

BEVEL CUT to 45° Right (Fig. 6.1)

1. Lock the cutting head down with the cutting head lock knob.
2. Pull out the bevel right lock release.
3. Adjust angle until the bevel angle point reaches the desired bevel angle.
4. Adjust the fence guard to allow for slide mechanism.
5. Replace the bevel right lock release.
6. Stand to the left side of the handle to make the cut.

12 MONTHS WARRANTY

GB

EVOLUTION POWER TOOLS RESERVES THE RIGHT TO MAKE IMPROVEMENTS AND MODIFICATIONS TO DESIGN WITHOUT PRIOR NOTICE.

Evolution Power Tools will, within twelve (12) months from the original date of purchase, repair or replace any goods found to be defective in materials or workmanship, provided the product warranty registration card has been returned to Evolution Power Tools. This warranty is void if the tool being returned has been used to cut materials beyond the recommendations in the Instruction Manual or if the saw has been damaged by accident, neglect, or improper service. This warranty does not apply to machines and / or components which have been altered, changed, or modified in any way, or subjected to use beyond recommended capacities and specifications. Electrical components are subject to respective manufacturers' warranties. All goods returned defective shall be returned prepaid freight to Evolution Power Tools. Evolution Power Tools reserves the right to optionally repair or replace it with the same or equivalent item. There is no warranty - written or verbal - for saw blades. In no event shall Evolution Power Tools be liable for loss or damage resulting directly or indirectly from the use or merchandise or from any other cause. Evolution Power Tools is not liable for any costs incurred on such goods or consequential damages. No officer, employee or agent of Evolution Power Tools is authorised to make oral representations of fitness or to waive any of the foregoing terms of sale and none shall be binding on Evolution Power Tools. Questions relating to this limited warranty should be directed to the company's head office, or call the appropriate helpline number.

NL

Instructies

Lees de instructies voordat u dit hulpprogramma.



BELANGRIJK

NL

Lees deze gebruiks- en veiligheidsaanwijzingen zorgvuldig en volledig door. Voor uw eigen veiligheid, controleer voor het gebruik van dit apparaat dat de spanning correct is en dat alle handvatten en onderdelen stevig vastzitten. Als u vragen hebt over enig aspect van het gebruik van dit apparaat, gelieve contact op te nemen met onze.

Technische Hulplijn

Technische Hulplijn UK 0870 609 2297
Technische Hulplijn USA 1-866-EVO-TOOL

RAGE3 Universele Sliding Verstek Zaag

Gefeliciteerd met uw aankoop van een Evolution Power Tools Rage 3 Universele Sliding Verstek Zaag. Gelieve uw product registratiekaart in te vullen en te versturen. Dit zal de waarborgperiode van uw machine valideren en een snelle service verzekeren indien nodig. We danken er u oprecht voor dat u een product van Evolution Power Tools gekozen hebt.

Let Op: Belangrijke Veiligheidsaanwijzingen

Om elektrische schokken te vermijden is dit apparaat voorzien van een goedgekeurde kabel en stekker voor het land van gebruik. Vervang de stekker niet.

ALGEMENE EILIGHEIDSRREGELS

NL

Waarschuwing:

Voor Uw Eigen Veiligheid. Lees de Gebruiksaanwijzingen voor het Gebruik van de VerstekZaag.

1. HOUD DE BEVEILIGINGEN OP HUN PLAATS en in goede staat.
2. VERWIJDER BIJSTELLINGSSLEUTELS EN SCHROEFSLEUTELS. Maak er een gewoonte van te controleren dat de bijstelling- en schroefsleutels verwijderd zijn van het apparaat voor u het aanzet.
3. HOUD DE WERKRUIJTE SCHOON. Overvolle ruimten en banken veroorzaken ongelukken.
4. NIET GEBRUIKEN IN EEN GEVAARLIJKE OMGEVING. Nooit elektrische werktuigen in vochtige of natte plaatsen gebruiken, of aan regen blootstellen. Zorg ervoor dat de werkruimte goed verlicht is.
5. HOUD KINDEREN UIT DE WEG. Alle bezoekers dienen op een veilige afstand van de werkruimte te blijven.
6. FORCEER HET APPARAAT NIET. Het zal beter en veiliger werken aan de snelheid waarvoor het ontworpen werd.
7. GEBRUIK DE JUISTE VERLENGKABEL. Zorg ervoor dat uw verlengkabel in goede staat is. Als u een verlengkabel gebruikt, vergeet u er van dat hij sterk genoeg is voor het vermogen dat uw product nodig heeft. Eente zwakke kabel zal een spanningsdaling veroorzaken met als gevolg energieverlies en oververwarming.
8. DRAAG AANGEPASTE KLEDING. Draag geen losse kleding, handschoenen, dassen, ringen, armbanden, of andere juwelen die in de bewegende elementen kunnen verstrikt raken. Schoenen met ruwe zolen worden aanbevolen. Draag haarbedekking om lang haar vast te houden.
9. DRAAG ALTIJD EEN VEILIGHEIDSRBRIL. Gebruik ook een gezichtsof stofmasker als het snijden stofferig is. Gewone brillen hebben enkel impact weerstandige lenzen, het zijn GEEN veiligheidsbrillen.
10. VEILIG WERKEN. Gebruik klemmen om het werkstuk vast te zetten indien mogelijk. Het is veiliger dan uw handen te gebruiken en het maakt beide handen vrij voor de bediening van het werktuig.
11. NIET TE VER REIKEN. Bewaar steeds correcte voeting en evenwicht.
12. ONDERHOUD UW WERKTUIGEN ZORGVULDIG. Houd uw werktuigen scherp en schoon voor optimale en veilige werking. Volg de aanwijzingen voor het smeren en het vervangen van onderdelen.
13. ZET WERKTUIGEN AF voor het onderhoud en bij vervanging van onderdelen zoals messen bv.
14. BEPERK HET RISICO VAN ONGEWENST OPSTARTEN. Controleer of de schakelaar op 'off' staat vooraleer u het apparaat aansluit.
15. GEBRUIK AANBEVOLEN STUKKEN. Gebruik alleen oorspronkelijke Evolution stukken.

16. STA NOOIT OP HET WERKTUIG. Ernstige verwondingen zouden kunnen plaatsvinden als het werktuig omgekeerd wordt of het snijdend onderdeel per ongeluk wordt aangeraakt.

17. CONTROLEER BESCHADIGDE STUKKEN. Voor u het werktuig verder gebruikt, dient een beschadigde beveiliging of een ander beschadigd onderdeel zorgvuldig nagekeken te worden om na te gaan of het goed kan werken en zijn functie kan vervullen - controleer de uitlijning van bewegende elementen, de verbinding van bewegende elementen, gebroken elementen, montage, en alle andere omstandigheden die zijn werking kunnen beïnvloeden. Een beveiliging of ander onderdeel dat beschadigd is moet correct hersteld of vervangen worden.

18. Houd uw handen uit de weg van het zaagblad.

19. Reik nooit rond het zaagblad om.

20. Zet het apparaat af en wacht tot het zaagblad tot stilstand gekomen is voor u het werkstuk verplaatst of de instellingen wijzigt.

21. Zet de stroom af voor u het blad vervangt, onderhoud of reinigt.

22. Om verwondingen te vermijden, breng de drager terug tot volledige achterpositie na elke dwarssnede.

BEWAAR DEZE AANWIJZINGEN VOOR TOEKOMSTIGE RAADPLEGING

BIJKOMENDE VEILIGHEIDSAANWIJZING

1. De zaag is zwaar alhoewel ze compact is. Om rugletsels te vermijden, vraag hulp als u de zaag moet optillen.
2. Om rugletsels te vermijden, houd het werktuig dicht tegen uw lichaam bij het optillen. Buig uw knieën zodat uw benen het gewicht dragen bij het optillen, en niet uw rug. Til op door de handvatzones aan weerszijden van de bodem van de basis te gebruiken.
3. Draag de verstekzaag nooit bij de elektrische kabel of de trekker op het handvat. Door het werktuig bij de elektrische kabel te dragen kan de isolatie beschadigd worden en zo elektrische schokken of brand veroorzaken.
4. Voor u de zaag uit de verpakking neemt dient u de slidingvergrendelingsknop vast te zetten als bescherming tegen plotse bewegingen.
5. Plaats de zaag op een veilig, stevig werkoppervlak en controleer de zaagzorgvuldig.
6. Waarschuwing. Kijk niet rechtstreeks naar de laserstraal. Het is gevaarlijk opzettelijk naar de laserstraal te kijken, gelieve alle veiligheidsvoorschriften te volgen als volgt.

- De laserstraal mag niet opzettelijk op personeel gericht worden en mag niet rechtstreeks naar de ogen van een persoon gericht worden.

- Zorg er steeds voor dat de laserstraal gericht is op het werkstuk zonder reflecterende oppervlakken, m.a.w. wood of ruw beklede oppervlakken zijn geschikt.

- Vervang de laser lichtinstallatie niet door een ander type.

EIGENSCHAPPEN

NL

Model RAGE3

Motor (230v ~ 50/60 Hz)	1800W
RPM zonder belasting (min ⁻¹)	2500
Aanbevolen Maximum Gebruik Cyclus (Minuten)	30
Geluidsdruk Niveau (met belasting) (dB(A))	98
Trillingsniveau (met belasting) m/s ²	1.98
Gewicht	19.6Kg
Bladafmetingen Maximum Diameter	255mm
Boor diameter	25.4mm
Dikte	2mm

Maximum Snijvermogen			
Steil	Facet	Max Breedte van Snede	Max Diepte van Snede
90°	90°	320mm (12.59")	75mm (2.95")
45°L / 45°R	45°	210mm (8.26")	40mm (1.57")
45°L / 45°R	90°	210mm (8.26")	75mm (2.95")
90°	45°	320mm (12.59")	40mm (1.57")

Optimale Dikte Snede (Zachte Staalplaat): 3mm

Standaard Installatie Geleverd met Eenheid

1 MultiBlade (universeel blad), 1 Steeksleutel, 1 Gebruiksaanwijzing.

EXTRA ACCESSOIRES

Naast de standaardaccessoires die met deze machine worden meegeleverd, zijn er andere accessoires beschikbaar waarmee de prestatie wordt verbeterd. Voorbeelden hiervan zijn:

1. Klemsysteem – bij deze machine kunnen 1 bovenste en/of 2 voorste klemmen worden gebruikt (indien gewenst). Beide zijn apart verkrijgbaar. (N.B. 1 bovenste klem en 1 voorste klem worden standaard met deze machine meegeleverd)

2. Diamantblad – hiermee wordt deze machine een tegelsnijder. Als u het standaard TCT-blad vervangt met het apart verkrijgbare diamantblad, wordt deze machine een tegelsnijder - geschikt voor de meeste soorten keramieken of porseleinen tegels.

Deze extra accessoires zijn verkrijgbaar bij uw plaatselijke dealer (of bij Evolution Power Tools).

MONTAGE

NL

MONTAGE VAN DE VERSTEKZAAG

WAARSCHUWING: Om verwondingen veroorzaakt door onverwachte bewegingen van de zaag te voorkomen, plaats de zaag op de gewenste plaats op een werkbank of een andere aanbevolen plaats op voeten. De basis van de zaag heeft vier openingen voor de montage van de verstekzaag. Als de zaag steeds op dezelfde plaats moet gebruikt worden, bevestig ze dan permanent op het koppervlak.

- Schroef de geleiderail, verstek- en aanschuivingsvergrendelingen vast.
- Plaats de zaag zodanig dat andere mensen er niet achter kunnen staan. Rondvliegende stukjes kunnen mensen die in de weg staan verwonden.
- Plaats de zaag op een stevig, waterpas werkoppervlak met voldoende ruimte voor correcte handeling en ondersteuning van het werkstuk.
- Ondersteun de zaag zodanig dat de tafel waterpas is en de zaag niet schommelt.
- Schroef of klem de zaag vast aan haar basis.

HET BLAD MONTEREN OF VERWIJDEREN

WAARSCHUWING: Gebruik alleen oorspronkelijke Evolution bladen die ontworpen werden voor dit apparaat.

- Vergewis er u van dat de snijkop omhoog staat.
- Verwijder de beveiligings borgklem.(Fig.1)
- Druk op de beveiligingsvergrendeling knop en hef de onderste bladbeveiliging op.(Fig.2)
- Druk op de zwarte vergrendelingsknop om de staaf te vergrendelen.(Fig.3)
- Maak de staafschroef los met de geleverde sleutel om het blad te verwijderen (Fig.4)
- Installeer het nieuw 255 mm (10") blad. Zorg ervoor dat de rotatiepijl op het blad overeenstemt met de kloksgewijze rotatiepijl op de bovenste beveiliging. De tanden van het blad moeten steeds naar beneden wijzen aan de voorkant van de zaag.
- Installeer de sluitring van het blad en de staafschroef.
- Draai de steeksleutel om het blad vast te zetten.
- Span de staafschroef aan met matige kracht, maar niet te vast.
- Vervang de beveiligings borgklem.(Fig.1)
- Verwijder de spanner voordat u de machine gebruikt.

AFVALZAK

De afvalzak moet aan de poort voor vuilextractie worden bevestigd.

- Schuif het frame van de afvalzak op de uitlaat van de extractiepoort. Zorg dat hij goed vast zit.
- Als u de zak wilt weghalen, schuift u het frame in de tegenovergestelde richting.

WAARSCHUWING – Voordat u metaal gaat snijden, MOET de afvalzak worden geleegd via de handige rits aan de zijkant.

DE HERHAALDE AANSLAG MONTEREN

- Maak de duimschroef los om de armen van de werkstuksteunen in de openingen van de herhaalde aanslagen aan te brengen.
- Zet de duimschroeven stevig vast om beweging op de werkstuksteun te beperken.
- Monteer de werkstuksteun zoals hieronder beschreven. **OPMERKING:** Door de duimschroeven los te maken kan de herhaalde aanslag aangepast worden aan de gewenste breedte voor elke toepassing.

DE WERKSTUKSTEUN MONTEREN (Fig. 7)

- De schroef die de steun op de draaitafel bevestigt los schroeven.
- Plaats de werkstuksteun in de openingen in de basis.
- De bevestigingsschroef vast schroeven.

DE BOVENSTE KLEM PLAATSEN (Fig. 8)

- Monteer de klem in de bevestigingsopening die het best geschikt is voor het snijden en zorg ervoor dat ze volledig naar beneden gedrukt is.
- Schroef de duimschroef vast om de paal te vergrendelen.
- Plaats het werkstuk dat gesneden moet worden op het zaagbed.
- Plaats de klem zodanig dat ze het werkstuk stevig vasthoudt.

DE VOORSTE KLEM PLAATSEN (Fig. 8a)

- Monteer de klem in de bevestigingsopening die het best geschikt is voor het snijden en zorg.
- Plaats het werkstuk dat gesneden moet worden op het zaagbed.
- Plaats de klem zodanig dat ze het werkstuk stevig vasthoudt.

N.B.: Zowel een bovenste als een voorste klem moet worden gebruikt, zodat het werk goed vast komt te zitten.

DIEPTE AANSLAG.(Fig.9)

Gebruik van de diepte aanslag betekent dat het blad niet volledig door het werkstuk zal snijden, afhankelijk van de diepte waarop het ingesteld is. Dit laat de gebruiker toe gleuven in het werkstuk te snijden. **OPMERKING:** Het is aanbevolen de diepte van de snede te controleren door een stukje hout te gebruiken voor u begint met het werkstuk. Door een snede te maken in het werkstuk en dan lichtjes het werkstuk naar links of naar rechts te verplaatsen voor de herhaling, is het mogelijk greppel sneden in het werkstuk aan te brengen.

Om de diepte aanslag functie te gebruiken dient u volgende stappen te volgen:

- Maak de vleugelmoer los.
- Stel de duimknop in op de gewenste diepte.
- Zodra de gewenste diepte ingesteld is, schroef de vleugelmoer vast tegen de steunplaat om de diepte aanslag te vergrendelen en ervoor te zorgen dat er geen beweging is.

GEBLOKKEERD MATERIAAL VERWIJDEREN:

- Zet verstekzaag op "OFF " door de drukschakelaar los te laten.
- Wacht tot alle bewegende delen tot stilstand komen.
- De verstekzaag uitschakelen.4.Verwijder geblokkeerd materiaal uit het apparaat.

BEDIENINGSAANWIJZINGEN

NL

SCHAKEL DE VERSTEKZAAG UIT EN CONTROLEER ZE VOOR ELK GEBRUIK.

WAARSCHUWING: Om verwondingen te vermijden, steeds de zaag uitschakelen voor u ietsverandert of bijstelt. Vergelijk de richting van de rotatiepijl op de beveiliging met de richting van de pijl op het blad. De tanden van het blad moeten steeds naar beneden wijzen aan de voorzijde van de zaag. Schroef de staafschroef vast. Schroef de schroef van de dekplaat vast.

VOORBEREIDING VAN DE SNEDE

LET OP: NOOIT de zaag naar u toetrekken tijdens een snede. Het blad kan plotseling op het werkstuk 'klimmen' en naar u toekomen.

- Vermijd onhandige handelingen en plaatsing van uw handen waarbij plots uitglijden uw vingers of hand op het blad zouden kunnen doen terechtkomen.
- Snij slechts één werkstuk tegelijk.
- Verwijder alles behalve het werkstuk en de werkstuksteunen van het blad voor u de verstekzaag aanzet.
- Gebruik stevige klemmen om het werkstuk vast te zetten.

GEBRUIKELIJKE SAMENGESTELDE SNEDEN MAKEN

U kunt twee soorten sneden maken met de samengestelde sliding verstekzaag.

Sliding snijden

Maak de sliding vergrendelingsknop los en verplaats de snijkop naar de gebruiker toe. Het zaagblad gaat naar beneden in het werkstuk en wordt dan naar achter geduwd in de zaag om de snedete voltooien. Wordt gebruikt om brede stukken te snijden.

1. Plaats het hout tegen de geleider en bevestig met de klem als vereist.
2. Maak de slidingvergrendelingsknop los.
3. Grijp het handvat van de zaag en trek de drager tot de staaf (midden van het zaagblad) zich over de voorrand van het werkstuk bevindt.
4. Druk op de onderste beveiligingsontgrendelingshendel om de snijkop vrij te maken.
5. Zet de zaag aan en wacht tot ze haar volle snelheid bereikt.
6. Duw het handvat van de zaag helemaal naar beneden en snij door de voorrand van het werkstuk.
7. Duw het handvat van de zaag voorzichtig naar de geleider toe om de snede te voltooien.
8. Plaats de motorkop volledig naar achter na elke snede.

9. Los de trekker om de zaag af te zetten en wacht tot het blad volledig stilstaat voor u uw handen beweegt of het werkstuk verwijderd.

INKORTEN

De sliding vergrendelingsknop wordt aangespannen en het handvat van de zaag naar beneden geduwd om door het werkstuk te snijden. Dit soort snede wordt vooral gebruikt voor smalle stukken.

1. Schuif de snijkop zo ver mogelijk naar achter.
2. Zet de slidingvergrendelingsknop vast.
3. Plaats het werkstuk op de bank en tegen de, bevestig met klem als vereist.
4. Grijp het handvat van de zaag.
5. Zet de zaag aan en wacht tot ze haar volle snelheid bereikt.
6. Druk op de onderste beveiligingsontgrendelingshendel om de snijkop vrij te maken.
7. Duw het handvat van de zaag naar beneden en snij het werkstuk.
8. Als de snede voltooid is, zet de zaag af en wacht tot het blad volledig tot stilstand komt.

WAARSCHUWING: Voor gebruiksgemak is de zaag voorzien van een bladrem. Vertrouw er nooit op om een correct gebruik van de beveiliging op uw zaag te vervangen.

LICHAAMS- EN HANDPOSITIE

1. Plaats uw handen nooit in de buurt van de snij omgeving en houd uw hand buiten bereik van het blad
2. Houd het werkstuk stevig tegen het hek om beweging naar het blad toe te vermijden.
3. Voor u snijdt. Test zonder stroom zodat u de weg van het blad kan zien.
4. Houd uw handen in positie tot de trekker vrijgelaten is en het blad volledig tot stilstand gekomen is.

VERSTEK SNEDE. (Fig 5.)

Een hoek tot 45° links of rechts kan bereikt worden met het apparaat.

1. Maak de geleiderailvergrendelingsknop los, duw het handvat van de zaag zo ver mogelijk naar achter en zet het handvat vast.
2. Maak de verstekhoeksvergrendeling knop los.
3. Trek de verstekhoeksinstellingshendel omhoog.
4. Draai de tafeleenheid tot de gewenste hoek aangeduid wordt op de verstekhoekwijzer
5. Zet de hoekvergrendelingsknop vast om de gewenste hoek te bewaren.
6. Zet de zaag aan en wacht tot ze haar volle snelheid bereikt voor u begint tesnijden.

AANSCHUININGSSNEDE. (Fig 6.)

1. Vergrendel de snijkop naar onder met de snijvergrendelingsknop.
2. Maak de aanschuivingsvergrendeling los.
3. Stel de hoek bij tot het aanschuivingshoekpunt de gewenste aanschuivingshoek bereikt.
4. Zet de aanschuivingsvergrendeling vast.
5. Sta links van het handvat om de snede uit te voeren

SAMENGESTELDE SNEDE

Als een samengestelde snede vereist is, selecteer de gewenste aanschuivings- en verstekposities.

GEKROMD MATERIAAL SNIJDEN (Fig 10 & 11)

Voor u een werkstuk snijdt, dient u er u van te vergewissen dat het niet gekromd is. Als het gekromd is, moet het werkstuk geplaatst en gesneden worden zoals in de illustratie. Plaats het werkstuk niet op een verkeerde wijze of probeer het niet te snijden zonder hulp van de geleider. Dit zou het werkstuk doen knippen op het blad. Het werkstuk zou dan plots kunnen opspringen of bewegen en uw hand zou het blad kunnen raken.

ONDERHOUD

NL

REINIGING

Gebruik enkel milde zeep en een vochtige doek voor dereiniging van het werktuig. Laat nooit vloeistof in het werktuig terecht komen; en dompel nooit enig onderdeel van het werktuig in vloeistof.

Reinig regelmatig de luchtopeningen van het werktuig met geperste droge lucht. **PROBEER NIET TE REINIGEN DOOR PUNTIGE VOORWERPEN IN DE OPENINGEN TE STEKEN.**

SMEREN

Alle lagers in dit werktuig worden gesmeerd met een voldoende hoeveelheid kwaliteitsmeermiddel voor het leven van de eenheid onder normale gebruiksvoorwaarden. Daarom is verder smeren niet noodzakelijk.

12 MAANDEN WAARBORG

NL

12 MAANDEN WAARBORG. 12 MAANDEN BEPERKTE WAARBORG. EVOLUTION POWER TOOLS BEHOUDEN ZICH HET RECHT VOOR VERBETERINGEN EN WIJZIGINGEN AAN HET ONTWERP DOOR TE VOEREN ZONDER VOORAFGAAND BERICHT.

Evolution Power Tools zullen binnen de twaalf (12) maanden na de oorspronkelijke datum van aankoop alle producten herstellen of vervangen die defecten vertonen in materiaal of vervaardiging. Deze waarborg is ongeldig indien het teruggestuurde werktuig gebruikt werd voor het snijden van materialen die buiten de aanbevelingen in de Gebruikshandleiding vallen of indien de zaag beschadigd werd door ongeluk, verwaarlozing of incorrect onderhoud. Deze waarborg is niet van toepassing op apparaten en/of elementen die werden gewijzigd, veranderd of op enige wijze omgevormd, of onderworpen aan gebruik dat aanbevolen vermogen en eigenschappen overschrijdt. Elektrische componenten vallen onder hun respectieve fabrikantenwaarborg. Alle defecte productendiensten per voorbetaalde verzending naar Evolution Power Tools teruggestuurd te worden. Evolution Power Tools behouden het recht om het te herstellen of het te vervangen door hetzelfde of een gelijkaardig product. Er is geen waarborg -schriftelijk of mondeling - voor zaagbladen. In geen geval zal Evolution Power Tools aansprakelijk zijn voor verlies of schade die rechtstreeks of onrechtstreeks het gevolg zijn van het gebruik van het product of enige andere reden. Evolution Power Tools is niet aansprakelijk voor enige onkosten aan deze producten of gevolgschade. Geen enkele werknemer, bediende of agent van Evolution Power Tools heeft de toelating mondelinge uitdrukkingen van geschiktheid te maken of afstand te doen van enige voorwaarde in de huidige verkoopvoorwaarden en Evolution Power Tools zou ten gevolge hiervan in geen geval gebonden zijn.

Vragen over deze beperkte waarborg dienen geadresseerd te worden aan de hoofdzetel van de maatschappij, of bel het toepasselijke Helplijnnummer.

FR

Manuel D'Instruction

Lisez les instructions avant d'utiliser cet outil.



IMPORTANT

FR

Veillez lire attentivement et dans leur totalité ces instructions de sécurité et de fonctionnement. Pour votre propre sécurité, avant d'utiliser cet équipement, vérifiez que la tension est correcte et que toutes les pièces ainsi que les poignées sont fermement fixées. Si vous avez un doute concernant tout aspect de l'utilisation de cet équipement, veuillez contacter notre Assistance Technique.

Assistance Technique R-U 0870 609 2297
Assistance Technique USA 1-866-EVO-TOOL

SCIE À ONGLETS POLYVALENTE RAGE3

Félicitations ! Vous venez d'acquérir une scie à onglets RAGE3 par Evolution Power Tools. Veuillez compléter et nous renvoyer votre carte d'enregistrement de produit. Ceci permettra de valider la garantie de votre machine et d'assurer un service rapide si nécessaire. Nous vous remercions sincèrement d'avoir sélectionné un produit Evolution Power Tools.

ATTENTION: CONSIGNES DE SÉCURITÉ IMPORTANTES

Pour réduire le risque de choc électrique, cette machine est équipée d'un cordon et d'une prise aux normes du pays dans lequel elle sera utilisée. Ne changez pas la prise de quelque façon que ce soit.

RÈGLES DE SÉCURITÉ GÉNÉRALES

FR

AVERTISSEMENT

Pour votre propre sécurité. Veuillez lire le manuel d'utilisation avant d'utiliser la scie à onglets.

1. GARDER LES PROTECTIONS EN PLACE et en état de marche.
2. RETIRER LES CLAVETTES DE RÉGLAGE ET LES CLÉS. Prenez l'habitude de vérifier que les clés et les clavettes de réglage ont été retirées de l'outil avant de le mettre en marche.
3. MAINTENIR L'AIRE DE TRAVAIL PROPRE. Les aires de travail et les établis encombrés favorisent les accidents.
4. NE PAS UTILISER DANS UN ENVIRONNEMENT DANGEREUX. N'utilisez pas d'outils électriques dans des endroits humides ou mouillés, ou ne les exposez pas à la pluie. Maintenez un bon éclairage de l'aire de travail.
5. ÉLOIGNER LES ENFANTS. Tous les visiteurs doivent se tenir à une distance de sécurité de l'aire de travail.
6. NE PAS FORCER L'OUTIL. Il effectuera le meilleur travail et dans des conditions de sécurité maximales au régime pour lequel il a été conçu.
7. UTILISER LA RALLONGE ADÉQUATE. Assurez-vous que votre rallonge est en bon état. Lorsque vous utilisez une rallonge, assurez-vous d'en utiliser une avec assez de capacité pour supporter le courant requis par votre produit. Une rallonge trop faible entraînera une chute de la tension de ligne causant une perte de puissance et une surchauffe.
8. SE VÊTIR CORRECTEMENT. Ne pas porter de vêtements amples, de gants, de cravate, de bagues, de bracelets ou d'autres bijoux pouvant se coincer dans les pièces mobiles. Le port de chaussures antidérapantes est conseillé. Portez une protection pour tenir les cheveux longs.
9. TOUJOURS UTILISER DES LUNETTES DE SÉCURITÉ. Portez toujours un masque anti-poussière ou une protection faciale si la découpe produit de la poussière. Les lunettes de vue n'ont que des lentilles résistantes aux chocs, il NE S'AGIT PAS de lunettes de sécurité.
10. FIXER LA PIÈCE. Utilisez des serre-joints pour maintenir la pièce lorsque c'est nécessaire. Cela sera plus sûr que de maintenir la pièce à deux mains et libérera ces dernières pour le travail.
11. NE PAS TROP SE PENCHER. Gardez une bonne assise et un bon équilibre à tout moment.
12. ENTREtenir LES OUTILS AVEC SOIN. Maintenez les outils aiguisés et propres pour optimiser le travail et la sécurité. Suivez les instructions de graissage et de remplacement des accessoires.
13. DEBRANCHER LES OUTILS avant tout travail de réparation et lors du remplacement d'accessoires tels que les lames.
14. ÉVITER TOUT MISE EN MARCHE INOPINÉE. Assurez-vous que l'interrupteur est bien en position « off » avant le branchement.
15. UTILISER LES ACCESSOIRES RECOMMANDÉS. N'utilisez exclusivement que des accessoires Evolution d'origine.

16. NE JAMAIS MARCHER SUR L'OUTIL. Des blessures graves peuvent se produire si l'outil est renversé ou si l'outil de découpe est démarré de manière inopinée.

17. VÉRIFIER LES PIÈCES ENDOMMAGÉES. Avant de continuer à utiliser l'outil, inspectez attentivement les protections ou autres pièces endommagées pour voir si l'outil pourra fonctionner correctement et effectuer le travail pour lequel il est conçu. Vérifiez l'alignement et le couplage des pièces mobiles, le voilage des pièces mobiles, la présence de pièces cassées, le montage, et toute autre condition susceptible d'affecter son bon fonctionnement. Une protection ou une autre pièce endommagée doit être correctement réparée ou être remplacée.

18. Gardez vos mains à l'écart de la trajectoire de la lame de la scie.

19. Ne vous penchez jamais au-dessus de la lame de la scie.

20. Éteignez l'outil et attendez que la lame de la scie soit totalement arrêtée avant de déplacer le travail ou de changer des paramètres.

21. Débranchez l'alimentation avant de changer la lame, de procéder à des réparations ou au nettoyage.

22. Pour réduire le risque de blessure, remplacez complètement le chariot à sa position arrière après chaque taille croisée.

CONSERVEZ CES CONSIGNES POUR VOUS Y RÉFÉREZ ULTÉRIEUREMENT

CONSIGNES DE SÉCURITÉ SUPPLÉMENTAIRES

1. Bien qu'elle soit compacte, cette scie est lourde. Pour réduire le risque de blessures au dos, demandez de l'aide à chaque fois que vous avez besoin de soulever la scie.
2. Pour réduire le risque de blessure ou de dos, maintenez l'outil près de votre corps lorsque vous le soulevez. Pliez vos genoux de manière à utiliser vos jambes et non votre dos pour soulever l'outil. Soulevez-le en utilisant les zones de prise de chaque côté en dessous de la base.
3. Ne portez jamais la scie à onglets par le cordon ou par la gâchette de réglage de la poignée. Portez l'outil par le cordon peut endommager l'isolation ou les branchements du câble et entraîner un choc électrique ou déclencher un incendie.
4. Avant d'enlever la scie du carton, resserrer le pommeau de verrouillage de la glissière pour empêcher tout mouvement soudain.
5. Placez la scie sur une surface de travail stable et sécurisée et vérifiez la scie avec précaution.
6. Avertissement. Ne regardez pas directement le rayon laser. Ce peut être dangereux de fixer de manière délibérée le rayon, veuillez observer toutes les consignes de sécurité comme suit

- Le rayon laser ne doit pas être volontairement dirigé sur une personne et il ne doit pas être dirigé dans les yeux d'une autre personne.

- Assurez-vous que le rayon laser est dirigé vers la pièce à travailler sans surface réfléchissante, c.-à-d. du bois ou des surfaces non polies sont acceptables.

- Ne changez pas le montage de lumière laser par un autre.

SPECIFICATIONS

FR

Modèle RAGE3

Moteur (230v ~ 50/60Hz)	1800W
TPM À vide (min ⁻¹)	2500
Cycle de service maximum recommandé (minutes)	30
Niveau de pression acoustique (en charge) dB (A)	98
Niveau de vibration (en charge) (m/s ²)	1.98
Poids	19.6 Kg
Diamètre maximum	255mm
Diamètre d'alésage	25.4mm
Épaisseur	2mm

Capacité de coupe maximum

Mitre	Biseau	Largeur de coupe maximum	Profondeur de coupe maximum
90°	90°	320mm (12.59")	75mm (2.95")
45°L / 45°R	45°	210mm (8.26")	40mm (1.57")
45°L / 45°R	90°	210mm (8.26")	75mm (2.95")
90°	45°	320mm (12.59")	40mm (1.57")

Épaisseur de coupe optimum (plaque d'acier doux): 3mm

Équipement standard fourni avec la machine:
1 MultiBlade, 1 clé de boîtier, 1 Mode d'emploi.

ACCESSOIRES SUPPLEMENTAIRES

En plus des accessoires standards fournis avec la machine, d'autres accessoires peuvent être utilisés pour améliorer les performances de l'outil. Ces accessoires sont notamment:

1. Système de fixation - Cette machine est conçue de façon à permettre l'utilisation de 1 dispositifs de serrage supérieur et/ou 2 avant (si nécessaire); ces deux systèmes sont proposés comme accessoires en option. (Remarque: 1 x dispositif de serrage supérieur, 1 x dispositif de serrage avant sont fournis en standard avec la machine).

2. Lame diamant - Cette machine peut être utilisée pour couper le carrelage. Il suffit pour cela de remplacer la lame TCT standard par la lame diamant proposée en option et la machine peut être utilisée pour découper les carreaux - et notamment la plupart des carrelages et céramiques.

Pour obtenir ces accessoires supplémentaires, il vous suffit de contacter votre fournisseur local (ou la société Evolution Power Tools).

MONTAGE

FR

MONTER LA SCIE À ONGLETS

AVERTISSEMENT: pour réduire le risque de blessures entraînées par un mouvement inopiné de la scie, placez la scie à l'endroit désiré ou sur un établi ou autre piètement conseillé. La base de la scie comporte quatre trous pour y monter la scie à ongles. Si la scie ne sera utilisée qu'à un seul endroit, fixez-la de manière permanente à l'établi ou au support à pied.

1. Resserrez le rail de glissière, les verrous de biseau et d'onglet.
2. Placez la scie afin qu'aucune autre personne ne puisse se positionner derrière elle. Les projections de débris peuvent blesser toute personne se trouvant dans sa trajectoire.
3. Placez la scie sur une surface fixe et à niveau où vous aurez assez d'espace pour manipuler et maintenir la pièce à travailler.
4. Maintenez la scie de manière à ce que la table soit à niveau et que la scie ne soit pas instable.
5. Boulonnez ou coincez la scie sur son support.

INSTALLATION OU ENLÈVEMENT DE LAME

AVERTISSEMENT: N'utilisez exclusivement que des lames Evolution d'origine conçues pour cette machine.

1. Assurez-vous que la tête de coupe est vers le haut.
2. Enlevez la pince de retenue de protection. (Fig.1)
3. Appuyez sur le bouton de verrouillage de sécurité et soulevez la protection de lame inférieure. (Fig.2)
4. Appuyez sur le bouton de verrouillage noir pour verrouiller l'arbre. (Fig.3)
5. En utilisant la clé fournie, libérez la vis de l'arbre pour enlever la lame. (Fig.4)
6. Installez la nouvelle lame de 255 mm (10"). Assurez-vous que la flèche de rotation sur la lame correspond à la flèche de rotation dans le sens des aiguilles d'une montre sur la protection supérieure. La dent de la lame doit toujours pointer vers le bas au devant de la scie.
7. Installez la rondelle d'aube et la vis d'arbre.
8. Tournez la clé de boîtier pour fixer la lame.
9. Resserrez la vis d'arbre avec une force modérée, mais ne serrez pas trop fort.
10. Remplacez la pince de retenue de protection. (Fig.1).
11. S'assurer que la clé soit enlevée avant d'utiliser l'outil.

SAC DE RECUPERATION DES DEBRIS

Le sac de récupération des débris doit être fixé au niveau de l'orifice d'expulsion des débris.

1. Glissez le cadre du sac de récupération sur l'orifice d'expulsion, en s'assurant qu'il est bien fixé.
2. Pour détacher le sac, faire glisser le cadre dans le sens opposé.

AVERTISSEMENT - Avant de procéder à une découpe d'un métal quel qu'il soit, assurez vous que le sac de récupération est VIDE, en ouvrant la fermeture prévue à cet effet.

INSTALLER LA BUTÉE DE RÉPÉTITION

1. Libérez le serre-joint à serrage par vis pour permettre aux supports des bras de la pièce à travailler de s'insérer dans les trous dans les butées de répétition.
2. Resserrez les serre-joints à serrage par vis fermement pour réduire le mouvement sur le support de pièce.
3. Attachez le support de pièce comme indiqué ci-dessous.

REMARQUE: En relâchant les vis à papillon la butée de répétition peut être réglée à la largeur souhaitée pour chaque application.

INSTALLER LE SUPPORT DE PIÈCE (Fig.7)

1. Libérez la vis de retenue du support situé sur la table pivotante.
2. Insérez le support de pièce dans les trous de retenue de l'embase.
3. Serrez les vis de retenue.

INSTALLER LE SERRE-JOINT DE PIÈCE SUPERIEUR (Fig.8)

1. Installez le serre-joint au trou de retenue qui correspond le mieux à la découpe en vous assurant qu'elle est complètement enfoncée.
2. Resserrez la vis à papillon pour verrouiller l'axe.
3. Placez la pièce devant être coupée sur la table de découpe.
4. Réglez le serre-joint de manière à ce qu'il maintienne fermement la pièce.

INSTALLER L'ETAU PRISE DE PIÈCE AVANT (Fig.8a)

1. Installez le serre-joint au trou de retenue qui correspond le mieux à la découpe.
2. Placez la pièce devant être coupée sur la table de découpe.
3. Réglez le serre-joint de manière à ce qu'il maintienne fermement la pièce.

REMARQUE: Il est recommandé d'utiliser un étau permettant un serrage à l'avant et supérieur pour mieux immobiliser la pièce.

BUTÉE DE PROFONDEUR (Fig.9)

L'utilisation de la fonctionnalité de butée de profondeur signifie que la lame ne coupera pas complètement la pièce selon la profondeur réglée. Ceci permet à l'opérateur de tailler des fentes dans la pièce.

REMARQUE:

Il est conseillé d'utiliser une chute pour vérifier la profondeur de coupe avant d'utiliser la pièce à travailler. En taillant la pièce et en la déplaçant légèrement vers la gauche ou vers la droite avant la répétition, il est possible de creuser dans cette dernière.

Faut utiliser la fonctionnalité de butée de profondeur, veuillez suivre les étapes suivantes:

1. Libérez l'écrou à oreilles.
2. Réglez le pommeau à la profondeur souhaitée.
3. Une fois qu'il est réglé à la profondeur souhaitée, resserrez l'écrou à oreilles contre la patte de fixation pour verrouiller la butée de profondeur et s'assurer qu'il n'y a pas de mouvement.

ENLEVER UN BOURRAGE :

1. Éteignez la scie à ongles en relâchant l'interrupteur à gâchette.
2. Attendez que toutes les pièces mobiles se soient arrêtées.
3. Débranchez la scie à ongles. 4. Retirez le matériau coincé de l'unité.

CONSIGNES D'UTILISATION

FR

DÉBRANCHEZ LA SCIE À ONGLETS ET INSPECTEZ VOTRE SCIE AVANT CHAQUE UTILISATION.

AVERTISSEMENT: Pour réduire les risques de blessures, débranchez toujours la scie avant de modifier ou de régler quoi que ce soit. Comparez la direction de la flèche de rotation sur la protection à la direction de la flèche sur la lame. Les dents de la lame doivent toujours pointer vers le bas au devant de la scie. Resserrez la vis d'arbre. Resserrez la vis du couvercle de protection.

PRÉPARATION DE LA COUPE

ATTENTION : NE TIREZ JAMAIS la scie vers vous lors de la découpe. La lame peut soudainement monter sur la pièce et se diriger vers vous.

- Évitez toute opération maladroite et tout positionnement des mains où un glissement soudain peut entraîner le déplacement des doigts ou de la main sous la lame.
- Ne coupez qu'une pièce à la fois.
- Écartez tout de la lame avant de démarrer la scie à onglets à l'exception de la pièce et des dispositifs de support annexe.
- Fixez la pièce en utilisant les serre-joints pour maintenir la pièce fermement.

PROCÉDER À DES COUPES BISEAUTÉES DE MATÉRIAU

Il y a deux types de coupe pouvant être utilisées avec la scie à onglet à chariot.

Coupe en glissière

Libérez le pommeau de verrouillage sur le côté et déplacez la tête de coupe vers l'opérateur. La lame de la scie est abaissée sur la pièce puis poussée vers l'arrière de la scie pour procéder à la coupe. Utilisé pour couper des pièces larges.

1. Placez du bois contre le guide et fixez le serre-joint tel qu'approprié.
2. Libérez le pommeau de serrage de la glissière.
3. Saisissez la poignée de la scie et tirez le chariot jusqu'à ce que l'arbre (centre de la lame de la scie) soit par-dessus le bord avant de la pièce.
4. Pressez la manette de déverrouillage de la protection inférieure pour libérer la tête de la scie.
5. Allumez-la et laissez-la atteindre la vitesse à plein régime.
6. Poussez complètement la poignée de la scie vers le bas et coupez sur tout le profil de la pièce.
7. Poussez légèrement la poignée de la scie vers le guide en terminant la coupe.
8. Tirez la tête motrice entièrement vers l'arrière après chaque coupe.
9. Relâchez la gâchette pour éteindre la scie et laissez la lame s'arrêter complètement avant de déplacer vos mains ou de bouger la pièce.

COUPE HACHÉE

Le pommeau de verrouillage du côté est resserré et la poignée de la scie est poussée vers le bas pour couper la pièce. Ce type de coupe est utilisé principalement pour les pièces étroites.

1. Faites glisser la tête de coupe vers l'arrière aussi loin que possible.
2. Verrouillez le pommeau de serrage de la glissière.
3. Placez la pièce sur la table et contre le guide et serrez-la à l'aide du serre-joint tel qu'approprié.
4. Saisissez la poignée de la scie.
5. Allumez la scie et laissez-la atteindre la vitesse à plein régime.
6. Pressez la manette de déverrouillage de la protection inférieure pour libérer la tête de la scie.
7. Poussez la poignée de la scie vers le bas et coupez la pièce.
8. Une fois la coupe terminée, éteignez la scie et laissez la lame s'arrêter complètement.

AVERTISSEMENT:

pour votre propre confort, la scie dispose d'un frein de lame. Ne vous y fiez jamais pour remplacer un usage correct de la protection sur votre scie.

POSITION DU CORPS ET DES MAINS

1. Ne placez jamais vos mains près de la zone de coupe et gardez vos mains à l'écart de la trajectoire de la lame.
2. Maintenez la pièce fermement contre le guide pour prévenir tout mouvement vers la lame.
3. Avant de procéder à une coupe. Procédez à un mouvement à vide avec la scie éteinte de manière à voir la trajectoire de la lame.
4. Gardez vos mains en position jusqu'à ce que la gâchette ait été relâchée et que la lame soit complètement arrêtée.

COUPE D'ONGLET (Fig. 5)

Un angle pouvant aller jusqu'à 45° à gauche ou à droite peut être obtenu en utilisant cet équipement.

1. Libérez le pommeau de verrouillage du rail de glissière, tirez la poignée de la scie en arrière aussi loin que possible et verrouillez la poignée.
2. Libérez la manette de verrouillage d'angle d'onglet.
3. Relevez la manette de réglage de l'angle d'onglet.
4. Tournez la table jusqu'à l'angle souhaité sur la règle d'angle d'onglet.
5. Resserrez le pommeau de verrouillage d'angle pour le maintenir à l'angle souhaité.
6. Démarrez la scie et laissez-la atteindre la vitesse à plein régime avant de commencer à couper.

COUPE EN BIAS (Fig. 6)

1. Verrouillez la tête de coupe à l'aide du pommeau de verrouillage de coupe.
2. Libérez le verrou de biseau.
3. Réglez l'angle jusqu'à l'indicateur d'angle du biseau atteigne l'angle de biseau souhaité.
4. Resserrez le verrou de biseau
5. Tenez-vous du côté gauche de la poignée pour effectuer la coupe.

COUPE COMPOSÉE

Lorsqu'une coupe composée et requise, sélectionnez les positions de biseau et d'onglet souhaitées.

COUPER DES MATÉRIAUX COURBÉS (Fig.10 et 11)

Avant de couper une pièce, vérifiez qu'elle n'est pas courbée. Si elle est courbée, la pièce doit être positionnée et coupée comme indiqué. Ne positionnez pas la pièce de manière inadéquate ou n'essayez pas de couper la pièce sans le support du guide. Ceci peut entraîner un pincement de la pièce sur la lame. La pièce peut sauter ou se déplacer soudainement et votre main peut être heurtée par la lame.

ENTRETIEN

FR

NETTOYAGE

Utilisez uniquement un savon doux et un linge humide pour nettoyer l'outil. Ne laissez jamais aucun liquide s'immiscer dans l'outil ; ne jamais immerger une pièce de l'outil dans un liquide.

NETTOYER RÉGULIÈREMENT LES AÉRATIONS DE L'OUTIL À L'AIR COMPRIMÉ. N'ESSEYER PAS DE NETTOYER EN INSÉRANT DES OBJETS POINTUS DANS LES OUVERTURES.

GRAISSAGE

Tous les roulements de cet outil sont lubrifiés à l'aide d'une quantité suffisante de lubrifiant de qualité supérieure pour favoriser la durée de vie de l'équipement en conditions de fonctionnement normales. Aucun graissage supplémentaire n'est donc requis.

GARANTIE À 12 MOIS

FR

EVOLUTION POWER TOOLS SE RESERVE LE DROIT DE PROCÉDER À DES AMÉLIORATIONS ET DES CHANGEMENTS DE CONCEPTION SANS AVIS PRÉALABLE.

Evolution Power Tools procédera, dans les douze (12) mois à compter de la date d'achat originale, à la réparation ou au remplacement de tout bien considéré comme défectueux sur les pièces ou la main-d'oeuvre. Cette garantie est rendue caduque si l'outil faisant l'objet d'un retour a été utilisé pour couper des matériaux en dehors des recommandations du mode d'emploi ou si la scie a été endommagée par accident, négligence ou une mauvaise utilisation. Cette garantie ne s'applique pas aux machines et/ou aux composants qui ont été altérés, modifiés ou changés de quelque façon que ce soit, ou sujet à une utilisation en dehors des capacités et spécifications recommandées. Les composants électriques sont soumis aux garanties respectives des fabricants. Tous les biens défectueux retournés doivent être renvoyés par colis prépayé à Evolution Power Tools. Evolution Power Tools se réserve le droit de le réparer ou de le remplacer par un élément identique ou équivalent. Il n'y a aucune garantie, écrite ou verbale, concernant les lames de scie. En aucun cas Evolution Power Tools ne peut être rendu responsable de la perte ou de l'endommagement résultant directement ou indirectement de l'utilisation ou de la commercialisation ou de tout autre cause. Evolution Power Tools n'est pas responsable de tous frais encourus sur de tels biens ou de dommages conséquents. Aucun directeur, employé ou agent de Evolution Power Tools n'est autorisé à déclarer quelque aptitude ou à renoncer à toute conditions de vente de la présente et Evolution Power Tools n'est nullement lié par ces dernières. Les questions relatives à cette garantie limitée doivent être envoyées au siège de la société, ou veuillez appeler le numéro de l'assistance approprié.

DE

Gebrauchsanweisung

Lesen sie, bevor sie dieses tool.



WICHTIG

DE

Bitte lesen Sie sich diese Bedienungs- und Sicherheitsanleitungen sorgfältig und vollständig durch. Überprüfen Sie vor der Benutzung des Gerätes zu Ihrer eigenen Sicherheit, dass die Spannung korrekt ist und dass alle Griffe und Teile sicher befestigt sind. Wenn Sie sich über irgendeinen Aspekt der Benutzung dieses Gerätes nicht sicher sind, rufen Sie bitte unseren technischen Informationsdienst an.

Technischer Informationsdienst Großbritannien
0870 609 2297

Technischer Informationsdienst USA
1-866-EVO-TOOL

RAGE3 Mehrzweck-Gehrungssäge mit Gleitfunktion

Herzlichen Glückwunsch zum Kauf Ihrer RAGE3 Gehrungssäge von Evolution Power Tools. Bitte füllen Sie Ihre Produktanmeldungskarte aus und schicken Sie diese an uns zurück, um den Garantiezeitraum Ihres Gerätes zu validieren und einen prompten Kundendienst sicherzustellen, falls dies erforderlich sein sollte. Wir danken Ihnen, dass Sie sich für ein Produkt von Evolution Power Tools entschieden haben.

VORSICHT: WICHTIGE SICHERHEITSANLEITUNGEN

Um das Risiko eines elektrischen Schlages zu reduzieren, ist dieses Gerät mit einem für das jeweilige Bestimmungsland zugelassenen Kabel und Stecker ausgestattet. Der Stecker darf in keiner Weise verändert werden.

ALLGEMEINE SICHERHEITSGESETZE

DE

WARNUNG: Lesen Sie sich zu Ihrer eigenen Sicherheit vor der Benutzung der Gehrungssäge die Betriebsanleitungen durch.

- 1. SCHUTZABDECKUNGEN NICHT ENTFERNEN** und in betriebsfähigem Zustand halten.
- 2. EINSTELLSCHLÜSSEL UND SCHRAUBENSCHLÜSSEL ENTFERNEN.** Bitte überprüfen Sie immer, dass alle Schlüssel und Einstellwerkzeuge vor dem Einschalten des Gerätes entfernt worden sind.
- 3. ARBEITSBEREICH SAUBER HALTEN.** Unordentliche Arbeitsbereiche und Werkbänke können zu Unfällen führen.
- 4. NICHT IN GEFÄHRLICHEN UMGEBUNGEN VERWENDEN.** Verwenden Sie Elektrowerkzeuge nicht an feuchten oder nassen Orten und setzen Sie Werkzeuge nicht dem Regen aus. Der Arbeitsbereich muss immer gut beleuchtet sein.
- 5. KINDER VON DER AUSTRÜSTUNG FERNHALTEN.** Alle Besucher müssen einen ausreichenden Sicherheitsabstand zum Arbeitsbereich einhalten.

6. DAS GERÄT NICHT ÜBERLASTEN. Sie arbeiten besser und sicherer im angegebenen Arbeitsbereich.

7. KORREKTE VERLÄNGERUNGSKABEL VERWENDEN. Stellen Sie sicher, dass sich Ihr Verlängerungskabel in einem guten Zustand befindet. Verwenden Sie ein Verlängerungskabel, das für den Strom geeignet ist, den Ihr Produkt aufnimmt. Ein Kabel von geringerer Größe verursacht einen Abfall der Netzspannung, was zu Stromverlusten und Überhitzung führt.

8. KORREKTE KLEIDUNG TRAGEN. Tragen Sie keine weite Kleidung, Handschuhe, Halsbänder, Ringe, Armbänder oder anderen Schmuck. Diese könnten von beweglichen Teilen erfasst werden. Rutschsichere Fußbekleidung wird empfohlen. Tragen Sie bei langem Haar ein Haarnetz.

9. IMMER EINE SCHUTZBRILLE TRAGEN. Verwenden Sie außerdem eine Gesichts- oder Staubmaske, wenn der Schneidprozess sehr staubig ist. Normale Brillen haben lediglich stoßfeste Gläser, sie sind KEINE Schutzbrillen.

10. WERKSTÜCK SICHERN. Verwenden Sie zum Halten des Werkstückes eine Spannvorrichtung, soweit dies praktisch durchführbar ist. Das Werkstück wird damit sicherer gehalten als mit der Hand und ermöglicht die Bedienung des Gerätes mit beiden Händen.

11. STANDBEREICH NICHT ÜBERDEHNEN. Sorgen Sie jederzeit für einen sicheren Stand und halten Sie ein gutes Gleichgewicht.

12. WERKZEUG MIT SORGFALT WARTEN. Halten Sie Ihr Werkzeug scharf und sauber, um die beste und sicherste Leistung sicherzustellen. Befolgen Sie die Anleitungen zum Schmieren und zum Auswechseln von Zubehör.

13. NETZSTECKER ZIEHEN, bevor Sie mit Wartungsarbeiten beginnen oder Zubehör wie Sägeblätter austauschen.

14. EINEN UNBEABSICHTIGTEN START VERMEIDEN. Stellen Sie vor dem Anschließen sicher, dass sich der Schalter in der Position, „Aus“ befindet.

15. NUR EMPFOHLENES ZUBEHÖR VERWENDEN. Verwenden Sie nur echtes Evolution-Zubehör.

16. NIE AUF DEM WERKZEUG STEHEN. Es können schwere Verletzungen auftreten, wenn das Werkzeug umgekippt oder das Schneidwerkzeug versehentlich berührt wird.

17. GERÄT AUF BESCHÄDIGUNGEN ÜBERPRÜFEN. Vor weiterem Gebrauch des Werkzeugs die Schutzabdeckungen oder leicht beschädigte Teile sorgfältig auf ihre einwandfreie und bestimmungsgemäße Funktion überprüfen. Überprüfen Sie, dass die Funktion beweglicher Teile in Ordnung ist, dass sie nicht klemmen und dass keine Schäden an Teilen, der Halterung oder andere Zustände vorliegen, die den Betrieb des Gerätes beeinträchtigen können. Beschädigte Schutzvorrichtungen und Teile müssen repariert oder ausgewechselt werden.

18. Hände vom Weg des Sägeblattes fernhalten.

19. Niemals um das Sägeblatt herumgreifen.

20. Das Werkzeug abschalten und warten, bis das Sägeblatt bewegungslos ist, bevor das Werkstück bewegt oder die Einstellungen verändert werden können.

21. Strom abschalten, bevor das Sägeblatt ausgewechselt, gewartet oder gereinigt wird.

22. Um das Verletzungsrisiko zu reduzieren, muss der Schlitten nach jedem Querschnitteinsatz vollständig zu ihrer hinteren Position zurückgeführt werden.

BEWAHREN SIE DIESE ANLEITUNGEN ZUR SPÄTEREN BENUTZUNG SICHER AUF. ZUSÄTZLICHE SICHERHEITSANLEITUNGEN.

1. Diese Säge ist zwar kompakt, aber auch schwer. Um das Risiko von Rückenverletzungen zu reduzieren, sollten Sie beim Anheben der Säge immer Hilfe in Anspruch nehmen.

2. Um das Risiko von Rückenverletzungen zu reduzieren, halten Sie das Werkzeug beim Anheben nahe am Körper und beugen Sie die Knie, damit das Werkzeug unter Beanspruchung der Beine, aber nicht des Rückens angehoben wird. Heben Sie die Säge an den Haltegriffen an der Unterseite der Basis an.

3. Tragen Sie die Säge nie an ihrem Stromkabel oder am Trigger des Handgriffs. Durch das Tragen des Werkzeugs am Stromkabel kann die Isolierung der Drahtverbindungen beschädigt werden, was zu elektrischen Schlägen oder Bränden führt.

4. Befestigen Sie vor der Entnahme der Säge aus dem Karton den verschiebbaren Arretierknopf, um plötzliche Bewegungen zu verhindern.

5. Stellen Sie die Säge auf eine sichere, unbewegliche Arbeitsfläche und überprüfen Sie das Werkzeug sorgfältig.

6. Warnung. Schauen Sie nicht direkt in den Laserstrahl, da dies ein Sicherheitsrisiko darstellt. Bitte beachten Sie die folgenden Sicherheitsregeln:

- Der Laserstrahl darf nicht bewusst auf Arbeitskräfte abzielen oder auf die Augen einer Person gerichtet werden.
- Stellen Sie jederzeit sicher, dass der Laserstrahl auf Werkstücke ohne reflektierende Oberflächen gerichtet ist (Holz oder raue, beschichtete Oberflächen sind akzeptabel).
- Wechseln Sie die Laserbaugruppe nicht gegen einen anderen Typaus.

SPEZIFIKATIONEN

DE

Modell RAGE3

Motor (230 V ~ 50/60 Hz)	1800W
Leerlaufdrehzahl	2500 min ⁻¹
Empfohlener maximaler Arbeitszyklus	30minuten
Schalldruckpegel (unter Last)	98 dB(A)
Vibrationspegel (unter Last)	1.98 m/s ²
Gewicht	19.6 kg

Sägeblattabmessungen

Maximaler Durchmesser	255mm
Bohrung	25.4mm
Dicke	2mm

Maximale Schnittleistung			
Gehrung	Neigung	Max. Schnittbreite	Max. Schnitttiefe
90°	90°	320mm (12.59")	75mm (2.95")
45°L / 45°R	45°	210mm (8.26")	40mm (1.57")
45°L / 45°R	90°	210mm (8.26")	75mm (2.95")
90°	45°	320mm (12.59")	40mm (1.57")
Optimale Schnittdicke (Weichstahlblech): 6 mm			

Mit dem Gerät gelieferte Standardausrüstung:

1 MultiBlade, 1 Schraubenschlüssel, 1 Bedienungsanleitung.

Zusätzliche Zubehörteile

Zusätzlich zum mit dieser Maschine gelieferten Standardzubehör sind Teile erhältlich, die ihre Arbeitsleistung verbessern, einschließlich der folgenden Gegenstände:

- Klemmsystem** – Die Auslegung dieser Maschine lässt den Gebrauch von je 1 oberen und / oder 2 vorderen Klemmen zu (falls erwünscht). Beide sind auf Wunsch als Zubehörteile erhältlich. (Bitte beachten Sie: 1 obere Klemme und 1 vordere Klemme werden ab Werk mit dieser Maschine geliefert.)
- Diamantblatt** – Funktionieren Sie diese Maschine in einen Fliesenschneider um! Indem Sie das standardmäßige TCT-Blatt mit dem auf Wunsch erhältlichen Diamantblatt ersetzen, machen Sie aus der Maschine einen Fliesenschneider – geeignet für die meisten Keramik- oder Porzellanfliesen.

Zusätzliche Zubehörteile erhalten Sie von ihrem örtlichen Händler (oder von Evolution Power Tools).

AUFBAU

DE

MONTAGE DER GEHRUNGSSÄGE

WARNUNG: Um das Verletzungsrisiko durch unerwartete Bewegungen der Säge zu reduzieren, platzieren Sie die Säge an der gewünschten Stelle entweder auf einer Werkbank oder auf den empfohlenen Stützen. Die Basis der Säge hat vier Löcher zum Befestigen der Säge. Wenn die Säge an einem bestimmten Ort verwendet werden soll, befestigen Sie sie bitte permanent an der Werkbank oder den Stützen.

- Befestigen Sie die Gleitschienen-, Gehrungs- und Neigungssperren.
- Stellen Sie die Säge so auf, dass andere Personen nicht dahinter stehen können, da diese sonst durch herausgeschleuderte Teile verletzt werden könnten.
- Stellen Sie die Säge auf einer festen, geraden Oberfläche mit ausreichendem Platz für das Handhaben und Halten des Werkstückes auf.
- Der Arbeitstisch muss gerade sein und die Säge darf nicht wackeln.
- Schrauben oder klemmen Sie die Säge an ihrer Auflage fest.

MONTAGE UND DEMONTAGE DES SÄGEBLATTES

WARNUNG: Verwenden Sie nur echte Evolution-Sägeblätter, die für diese Maschine entwickelt wurden.

- Stellen Sie sicher, dass der Schneidkopf oben ist.
- Entfernen Sie die Abdeckungssicherungssplint (Abb.1).
- Drücken Sie den Sicherheitsarretierknopf nach unten und heben Sie die untere Sägeblattabdeckung hoch (Abb.2).
- Betätigen Sie den schwarzen Arretierknopf, um die Spindel zu versperren (Abb.3).
- Lösen Sie mit dem mitgelieferten Schraubenschlüssel die Spindelschraube und entfernen Sie das Sägeblatt (Abb.4).
- Bringen Sie das neue Sägeblatt (255 mm) an. Stellen Sie sicher, dass der Rotationspfeil auf dem Sägeblatt der Rechtsdrehung auf der oberen Abdeckung entspricht. Die Sägeblattzähne sollten an der Vorderseite der Säge immer nach unten zeigen.
- Bringen Sie die neue Sägeblatt-Unterlegscheibe und Spindelschraube an.
- Drehen Sie den Schraubenschlüssel, um das Sägeblatt zu befestigen.
- Ziehen Sie die Spindelschraube fest, aber überdrehen Sie sie nicht.
- Bringen Sie die Abdeckungssicherungssplint wieder an (Abb.1).
- Vergewissern Sie sich, dass der Ringgabelschlüssel vorm Betätigen der Maschine entfernt wurde.

SCHUTTFANGBEHÄLTER

Der Schuttfangbehälter sollte an der Schuttentnahmestelle befestigt werden.

- Schieben Sie das Gehäuse des Fangbehälters an den Ausgang der Entnahmestelle, und stellen Sie sicher, dass die beiden fest verbunden sind.
 - Um den Behälter auszuklinken müssen Sie das Gehäuse in die entgegengesetzte Richtung schieben.
- WARNUNG:** Bevor Sie metallhaltiges Material schneiden, MUSS der Fangbehälter geleert und frei von jeglichem Schutt sein. Benutzen Sie dazu den handlichen Reißverschluss an der Seite.

WIEDERHOLUNGSSPERRE ANBRINGEN

- Lösen Sie die Lappenschraube, um die Arme der Werkstückhalterungen in die Löcher der Wiederholungssperren zu lassen.
- Ziehen Sie die Lappenschrauben fest, um die Bewegung an der Werkstückhalterung zu minimieren.
- Bringen Sie die Werkstückhalterung wie unten aufgeführt an. HINWEIS: Durch das Lösen der Lappenschrauben kann die Wiederholungssperre auf die für jede Anwendung erforderliche Weite eingestellt werden.

ANBRINGEN DER WERKSTÜCKHALTERUNG (Abb.7)

- Lösen Sie die Halteschraube der Halterung, welche sich auf der Drehscheibe befindet.
- Führen Sie die Werkstückhalterung in die Haltelöcher in der Basis ein.
- Ziehen Sie die Halteschraube fest.

ANBRINGEN DER OBEREN WERKSTÜCKKLEMME (Abb.8)

- Bringen Sie die Klemme an dem Halteloch an, das am besten für die jeweilige Schnitthanwendung geeignet ist, und stellen Sie sicher, dass sie vollständig heruntergedrückt ist.
- Ziehen Sie die Lappenschraube fest, um die Säule zu verriegeln.
- Legen Sie das zu schneidende Werkstück auf das Sägebett.
- Stellen Sie die Klemme so ein, dass sie das Werkstück sicher hält.

ANBRINGEN DER VORDEREN WERKSTÜCKKLEMME (Abb.8a)

- Bringen Sie die Klemme an dem Halteloch an, das am besten für die jeweilige Schnitthanwendung geeignet ist.
 - Legen Sie das zu schneidende Werkstück auf das Sägebett.
 - Stellen Sie die Klemme so ein, dass sie das Werkstück sicher hält.
- ACHTUNG:** Es sollte eine Kombination aus oberer und vorderer Klemme benutzt werden, da diese das Werkstück am besten sichern.

TIEFENANSCHLAG (Abb.9)

Durch die Verwendung des Tiefenanschlages wird sichergestellt, dass das Sägeblatt je nach der eingestellten Tiefe das Werkstück nicht vollständig durchschneidet. Auf diese Weise kann der Bediener Schlitz in das Werkstück schneiden. HINWEIS: Es wird empfohlen, die Schnitttiefe vor der Bearbeitung des Werkstücks mit einem Stück Abfallholz zu prüfen. Indem man einen Schnitt in das Werkstück macht und dieses vor dem nächsten Schnitt etwas nach links oder rechts bewegt, kann man Nutschnitte am Werkstück anbringen.

Befolgen Sie bei der Verwendung der Tiefenanschlagsfunktion die folgenden Schritte:

- Lösen Sie die Flügelmutter.
- Stellen Sie den Daumenknopf auf die erforderliche Tiefe ein.
- Ziehen Sie die Flügelmutter nach dem Einstellen der gewünschten Tiefe gegen den Haltebügel fest, um den Tiefenanschlag zu verriegeln und Bewegungen zu vermeiden.

BESEITIGUNG VON EINGEKLEMMTEM MATERIAL:

- Schalten Sie die Säge „AUS“, indem Sie den Triggerschalter betätigen.
- Warten Sie, bis alle beweglichen Teile zum Stillstand gekommen sind.
- Ziehen Sie den Stecker der Säge heraus.
- Entfernen Sie das eingeklemmte Material aus dem Werkzeug.

BEDIENUNGSANLEITUNGEN

DE

DAS GERÄT VOR JEDER BENUTZUNG VON DER NETZSPANNUNG TRENNEN UND GENAU ÜBERPRÜFEN.

WARNUNG: Um Verletzungen zu vermeiden, muss die Säge vor jeder Änderung oder Einstellung von der Netzspannung getrennt werden. Vergleichen Sie die Richtung des Rotationspfeils auf der Abdeckung mit der Richtung des Pfeils auf dem Sägeblatt. Die Sägeblattzähne müssen an der Vorderseite der Säge immer nach unten zeigen. Ziehen Sie die Spindelschraube fest. Ziehen Sie die Schraube der Abdeckplatte fest.

SCHNITTVORBEREITUNG

VORSICHT: Ziehen Sie die Säge beim Schneiden NIEMALS zu sich hin. Das Sägeblatt kann plötzlich auf das Werkstück hochgezogen werden und sich auf Sie zubewegen.

- Vermeiden Sie gefährliche Prozesse und Handpositionen, bei denen die Finger oder Hände durch ein plötzliches Abrutschen vom Sägeblatt erfasst werden können.
- Schneiden Sie immer nur ein Werkstück.
- Räumen Sie vor dem Anschalten der Gehrungssäge alles außer dem Werkstück und der damit verbundenen Haltevorrichtungen weg.
- Sichern Sie das Werkstück mit Klemmen.

GEBRÄUCLICHE SCHNITTE AUSFÜHREN

Mit der Gehrungssäge können zwei grundlegende Schnitte ausgeführt werden.

Schiebeschnitt

Lösen Sie den Seitenarretierknopf und bewegen Sie den Schneidkopf zum Bediener hin. Das Sägeblatt wird in das Werkstück herabgelassen und zur Hinterseite der Säge gedrückt, um den Schnitt zu beenden. Wird zum Schneiden breiter Werkstücke verwendet.

1. Legen Sie das Holz gegen den Anschlag und sichern Sie es mit der Klemme.
2. Lösen Sie den Seitenverriegelungsknopf.
3. Ergreifen Sie den Sägegriff und ziehen Sie den Schlitten, bis die Spindel (Mitte des Sägeblattes) sich über der Vorderkante des Werkstückes befindet.
4. Drücken Sie den Entriegelungshebel der unteren Abdeckung, um den Sägekopf freizugeben.
5. Schalten Sie die Säge an und warten Sie, bis diese ihre volle Drehzahl erreicht hat.
6. Drücken Sie den Sägegriff bis ganz nach unten und schneiden Sie durch die Schnittkante des Werkstücks.
7. Schieben Sie den Sägegriff vorsichtig zum Anschlag, um den Schnitt zu beenden.

8. Schieben Sie ihn nach jedem Schnitt vollständig zur hinteren Position.

9. Lösen Sie den Trigger, um die Säge abzuschalten, und lassen Sie die Säge zum vollständigen Stillstand kommen, bevor Sie die Hände bewegen oder das Werkstück entfernen.

KAPPSCHNITT

Der verschiebbare Arretierungsknopf wird festgezogen und der Sägegriff nach unten gedrückt, um durch das Werkstück zu schneiden. Diese Art von Schnitt wird hauptsächlich für schmale Teile.

1. Schieben Sie den Schneidkopf so weit wie möglich nach hinten.
2. Verriegeln Sie den verschiebbaren Arretierknopf.
3. Legen Sie das Werkstück auf den Tisch und gegen den Anschlag. Und sichern Sie es mit der Klemme.
4. Ergreifen Sie den Sägegriff.
5. Schalten Sie die Säge an und warten Sie, bis diese ihre volle Drehzahl erreicht hat.
6. Betätigen Sie den Entriegelungshebel der unteren Abdeckung zur Freigabe des Sägekopfes.
7. Drücken Sie den Sägegriff nach unten und schneiden Sie das Werkstück.
8. Schalten Sie nach Beendigung des Schnittes die Säge aus und lassen Sie sie vollständig zum Stillstand kommen.

WARNUNG: Zur bequemen Benutzung ist die Säge mit einer Bremse ausgestattet. Diese Bremse kann die korrekte Benutzung der Abdeckung an Ihrer Säge nicht ersetzen.

KÖRPER- UND HANDPOSITION

1. Die Hände dürfen sich nie in der Nähe des Schnittbereiches befinden und müssen vom Weg des Sägeblattes ferngehalten werden.
2. Halten Sie das Werkstück fest am Anschlag, um eine Bewegung zum Sägeblatt zu vermeiden.
3. Machen Sie vor dem Schneiden einen Probelauf mit abgeschaltetem Strom, damit Sie den Weg des Sägeblattes sehen können.
4. Halten Sie die Hände in ihrer korrekten Position, bis der Trigger freigegeben wurde und das Sägeblatt vollständig zum Stillstand gekommen ist.

GEHRUNGSSCHNITT (Fig. 5)

Mit diesem Gerät kann ein Winkel von bis zu 45° links oder rechts erzielt werden.

1. Lösen Sie den Arretierknopf der Gleitschiene, drücken Sie den Sägegriff soweit wie möglich nach hinten und verriegeln Sie den Griff.
2. Lösen Sie den Gehrungswinkel-Arretierknopf.
3. Ziehen Sie den Gehrungswinkel-Einstellhebel hoch.
4. Drehen Sie die Tischeinheit zu dem gewünschten Winkel am Gehrungswinkelanzeiger.

5. Ziehen Sie den Winkelarretierknopf fest, um den gewünschten Winkel zu sichern.

6. Starten Sie die Säge und warten Sie, bis diese ihre volle Drehzahl erreicht hat, bevor Sie mit dem Schnitt beginnen.

NEIGUNGSSCHNITT (Fig. 6)

1. Verriegeln Sie den Schneidkopf mit dem Schneidarretierknopf.
2. Lösen Sie die Neigungssperre.
3. Stellen Sie den Winkel ein, bis der Neigungswinkelanzeiger den gewünschten Neigungswinkel erreicht hat.
4. Ziehen Sie den Neigungswinkel-Arretierknopf fest.
5. Stehen Sie bei der Ausführung des Schnittes auf der linken Seite des Griffes.

COMPOUNDSCHNITT

Wählen Sie die gewünschten Neigungs- und Gehrungspositionen für den Compoundschnitt aus.

SCHNEIDEN VON GEBOGENEM MATERIAL (Abb. 10 & 11) Prüfen Sie vor dem Schneiden eines Werkstückes, dass dieses nicht gebogen ist. Ein gebogenes Werkstück muss der Illustration entsprechend positioniert und geschnitten werden. Positionieren Sie das Werkstück nicht falsch und versuchen Sie nicht, das Werkstück ohne die Unterstützung des Anschlags zu schneiden, da dies zum Klemmen des Werkstückes auf dem Sägeblatt führt. Das Werkstück könnte sich plötzlich bewegen oder herauspringen und Ihre Hand könnte mit dem Sägeblatt in Berührung kommen.

WARTUNG

DE

REINIGUNG

Verwenden Sie zur Reinigung des Werkzeuges nur ein mildes Reinigungsmittel und ein feuchtes Tuch. Sorgen Sie dafür, dass keine Flüssigkeit in das Werkzeug gelangt. Kein Teil des Werkzeuges darf jemals in Flüssigkeit eingetaucht werden. Reinigen Sie die Lüftungsöffnungen des Werkzeuges regelmäßig mit trockener Druckluft.

VERSUCHEN SIE NICHT, DAS WERKZEUG DURCH EINFÜHREN SPITZER GEGENSTÄNDE IN ÖFFNUNGEN ZU REINIGEN.

SCHMIERUNG

Alle Lager des Werkzeuges werden unter normalen Betriebsbedingungen für die gesamte Lebensdauer des Gerätes mit einer ausreichenden Menge von hochwertigem Schmiermittel geschmiert. Daher ist keine weitere Schmierung erforderlich.

12 MONATE GARANTIE

DE

12 MONATE BESCHRÄNKTE GARANTIE. EVOLUTION POWER TOOLS BEHÄLT SICH DAS RECHT VOR, OHNE VORANKÜNDIGUNG VERBESSERUNGEN UND MODIFIKATIONEN AM DESIGN VORZUNEHMEN.

Evolution Power Tools verpflichtet sich, innerhalb von zwölf (12) Monaten ab dem ursprünglichen Kaufdatum alle Produkte zu reparieren oder auszuwechseln, die Material- oder Verarbeitungsdefekte aufweisen. Diese Garantie ist ungültig, wenn das zurückgeschickte Werkzeug zum Schneiden von Materialien verwendet wurde, die außerhalb der in dieser Betriebsanleitung enthaltenen Empfehlungen liegen, oder wenn die Säge auf Grund eines Unfalls, durch Vernachlässigung oder durch unangemessenen Betrieb/Wartung beschädigt wurde. Diese Garantie gilt nicht für Maschinen und/oder Bauteile, die in irgendeiner Weise geändert oder modifiziert oder in einer Weise verwendet wurden, die über die empfohlenen Kapazitäten und Spezifikationen hinausgeht. Elektrische Bauteile unterliegen den Garantien ihrer jeweiligen Hersteller. Alle fehlerhaften Waren werden Fracht vorausbezahlt an EvolutionPower Tools zurückgeschickt. Evolution Power Tools behält sich das Recht vor, fehlerhafte Produkte entweder zu reparieren oder gegen einen entsprechenden Artikel zu ersetzen. Es besteht weder eine schriftliche noch verbale Garantie für Sägeblätter. In keinem Fall ist Evolution Power Tools für Verluste oder Schäden haftbar, die direkt oder indirekt aus der Verwendung oder Vermarktung oder irgendeiner anderen Ursache resultieren. Evolution Power Tools ist nicht für mit dieser Ware verbundene Kosten oder Folgeschäden verantwortlich. Kein leitender Angestellter, Mitarbeiter oder Vertreter von Evolution Power Tools ist berechtigt, irgendeine der vorstehenden Verkaufsbedingungen aufzuheben oder mündliche Versprechen zur Tauglichkeit abzugeben, welche für Evolution Power Tools nicht bindend sind.

Bei Fragen bezüglich dieser beschränkten Garantie wenden Sie sich bitte an den Hauptsitz des Unternehmens oder rufen Sie den entsprechenden Informationsdienst an.

GR

Εγχειρίδιο Οδηγιών

Διαβάστε τις οδηγίες πριν από την εκτέλεση αυτού του εργαλείου.



ΣΗΜΑΝΤΙΚΟ

GR

Παρακαλώ διαβάστε προσεκτικά και πλήρως αυτές τις οδηγίες λειτουργίας και ασφάλειας. Για τη δική σας ασφάλεια, πριν χρησιμοποιήσετε αυτό το μηχάνημα ελέγξτε ότι η τάση είναι η σωστή και ότι όλες οι λαβές και τα εξαρτήματα είναι στερεωμένα γερά. Αν δεν είστε σίγουροι για κάποια πλευρά της χρήσης αυτού του μηχανήματος, παρακαλούμε επικοινωνήστε με την Γραμμή Βοήθειας για Τεχνικές Πληροφορίες.

Γραμμή Βοήθειας για Τεχνικές Πληροφορίες Ην. Βασίλειο: 0870 609 2297

Γραμμή Βοήθειας για Τεχνικές Πληροφορίες ΗΠΑ
1-866-EVO-TOOL

Σειρά 3 Φαλτσοπρίνο ολισθαίνουσας γωνίας Πολλαπλής χρήσης

ολισθαίνουσας γωνίας Evolution Power Tools RAGE3. Παρακαλούμε συμπληρώστε και ταχυδρομήστε την κάρτα εγγραφής του προϊόντος σας. Κάνοντας αυτό θα επικυρωθεί η περίοδος εγγύησης του μηχανήματός σας και θα εξασφαλιστεί το έγκαιρο σέρβις αν χρειάζεται. Ειλικρινά σας ευχαριστούμε που επιλέξατε ένα προϊόν από την Evolution Power Tools.

ΓΕΝΙΚΟΙ ΚΑΝΟΝΕΣ ΑΣΦΑΛΕΙΑΣ

GR

ΠΡΟΕΙΔΟΠΟΙΗΣΗ: Για τη δική σας ασφάλεια. Διαβάστε το Εγχειρίδιο Οδηγιών πριν λειτουργήσετε το Φαλτσοπρίνο.

- 1. ΚΡΑΤΑΤΕ ΤΟΥΣ ΠΡΟΦΥΛΑΚΤΗΡΕΣ ΣΤΗ ΘΕΣΗ ΤΟΥΣ** και σε λειτουργική κατάσταση
- 2. ΑΦΑΙΡΕΣΑΤΕ ΤΑ ΚΛΕΙΔΙΑ ΡΥΘΜΙΣΗΣ ΚΑΙ ΤΟ ΓΑΛΛΙΚΟ ΚΛΕΙΔΙ.** Αποκτήστε τη συνήθεια να ελέγχετε ότι τα κλειδιά και τα γαλλικά κλειδιά ρύθμισης έχουν αφαιρεθεί από το εργαλείο πριν το θέσετε σε λειτουργία.
- 3. ΝΑ ΔΙΑΤΗΡΕΙΤΕ ΤΗΝ ΠΕΡΙΟΧΗ ΕΡΓΑΣΙΑΣ ΚΑΘΑΡΗΣ** ε χώρους με ακαταστασία και πάγκους υπάρχει φόβος ατυχημάτων.
- 4. ΜΗΝ ΧΡΗΣΙΜΟΠΟΙΕΙΤΕ ΣΕ ΕΠΙΚΙΝΔΥΝΟ ΠΕΡΙΒΑΛΛΟΝ.** Μην χρησιμοποιείτε ηλεκτρικά εργαλεία σε υγρούς ή βρεγμένους χώρους, και μην τα αφήνετε εκτεθειμένα στη βροχή. Διατηρείτε το χώρο εργασίας καλά φωτισμένο.
- 5. ΚΡΑΤΑΤΕ ΜΑΚΡΙΑ ΤΑ ΠΑΙΔΙΑ.** Όλοι οι επισκέπτες θα πρέπει να κρατούνται σε ασφαλή απόσταση από το χώρο εργασίας.
- 6. ΜΗΝ ΑΣΚΕΙΤΕ ΠΙΕΣΗ ΣΤΟ ΕΡΓΑΛΕΙΟ.** Θα κάνει καλύτερα τη δουλειά του και με μεγαλύτερη ασφάλεια στην ταχύτητα που έχει σχεδιαστεί.

7. ΧΡΗΣΙΜΟΠΟΙΗΣΤΕ ΤΟ ΚΑΤΑΛΛΗΛΟ ΚΑΛΩΔΙΟ ΕΠΕΚΤΑΣΗΣ. Βεβαιωθείτε ότι το καλώδιο επέκτασης είναι σε καλή κατάσταση. Όταν χρησιμοποιείτε ένα καλώδιο επέκτασης, φροντίστε να χρησιμοποιείτε καλώδιο που να είναι αρκετά βαρύ ώστε να μεταφέρει το ρεύμα που θα απαιτήσει το μηχάνημα που χρησιμοποιείτε. Ένα καλώδιο μικρότερου από ό τι πρέπει μεγέθους θα προκαλέσει πτώση στην τάση γραμμής με αποτέλεσμα την απώλεια ισχύος και υπερθέρμανση.

8. ΝΑ ΦΟΡΑΤΕ ΚΑΤΑΛΛΗΛΟ ΡΟΥΧΙΣΜΟ. Μην φοράτε χαλαρό ρουχισμό, γάντια, δακτυλίδια, βραχιόλια, ή άλλα κοσμήματα που θα μπορούσαν να πιαστούν στα κινούμενα εξαρτήματα. Συνιστώνται παπούτσια που δεν γλιστρούν. Να φοράτε προστατευτικό κάλυμμα στα μαλλιά για να συγκρατεί τα μακριά μαλλιά.

9. ΝΑ ΦΟΡΑΤΕ ΠΑΝΤΑ ΓΥΑΛΙΑ ΑΣΦΑΛΕΙΑΣ. Επίσης να χρησιμοποιείτε μάσκα προσώπου ή σκόνης εάν η λειτουργία κοπής προκαλεί σκόνη. Τα συνήθη γυαλιά προστατεύουν μόνο τους φακούς επαφής, ΔΕΝ είναι γυαλιά ασφαλείας.

10. ΑΣΦΑΛΗΣ ΕΡΓΑΣΙΑ. Χρησιμοποιείτε σφιγκτήρες για να σταματήσετε την λειτουργία όπως είναι πρακτικά δυνατό. Είναι ασφαλέστερο από το να χρησιμοποιείτε το χέρι σας και αφήνετε ελεύθερα και τα δυο χέρια για να λειτουργήσετε το εργαλείο.

11. ΜΗΝ ΤΕΝΤΩΝΕΣΤΕ ΥΠΕΡΒΟΛΙΚΑ. Διατηρείτε τη σωστή στάση σας και την ισορροπία σας όλες τις ώρες.

12. ΔΙΑΤΗΡΕΙΤΕ ΤΑ ΕΡΓΑΛΕΙΑ ΣΕ ΚΑΛΗ ΚΑΤΑΣΤΑΣΗ. Κρατάτε τα εργαλεία αιχμηρά και καθαρά για την καλύτερη και ασφαλέστερη απόδοση. Ακολουθείτε τις οδηγίες για τη λίπανση και αλλαγή εξαρτημάτων.

13. ΑΠΟΣΥΝΔΕΕΤΕ ΤΑ ΕΡΓΑΛΕΙΑ πριν από το σέρβις και πριν αλλάξετε εξαρτήματα όπως λάμες.

14. ΜΕΙΩΣΤΕ ΤΟΝ ΚΙΝΔΥΝΟ ΑΚΟΥΣΙΑΣ ΕΝΑΡΞΗΣ. Βεβαιωθείτε ότι ο διακόπτης είναι στη θέση OFF πριν βάλετε την πρίζα.

15. ΧΡΗΣΙΜΟΠΟΙΕΙΤΕ ΣΥΝΙΣΤΩΜΕΝΑ ΕΞΑΡΤΗΜΑΤΑ. Χρησιμοποιείτε μόνο γνήσια εξαρτήματα Evolution

16. ΜΗΝ ΣΤΕΚΕΣΤΕ ΠΟΤΕ ΠΑΝΩ ΣΤΟ ΕΡΓΑΛΕΙΟ. Μπορεί να προκληθεί σοβαρός τραυματισμός εάν το εργαλείο είναι αιχμηρό ή εάν αγγίξετε ακούσια το εργαλείο κοπής.

17. ΕΛΕΓΧΤΕ ΓΙΑ ΕΞΑΡΤΗΜΑΤΑ ΓΙΑ ΒΛΑΒΗ. Πριν χρησιμοποιήσετε περισσότερο το εργαλείο, θα πρέπει να ελέγξετε προσεκτικά τον προφυλακτήρα ή άλλα εξαρτήματα μήπως έχουν κάποια βλάβη για να είστε σίγουροι ότι λειτουργεί σωστά και ότι κάνει τη λειτουργία που πρέπει – ελέγξτε ότι τα κινούμενα εξαρτήματα είναι ευθυγραμμισμένα, τη σύνδεση των κινούμενων εξαρτημάτων, τυχόν σπάσιμο εξαρτημάτων, συναρμολόγηση, και οποιοσδήποτε άλλες καταστάσεις που θα μπορούσαν να επηρεάσουν τη λειτουργία του εργαλείου. Ένας προφυλακτήρας ή άλλο εξάρτημα που έχουν υποστεί βλάβη θα πρέπει να επιδιορθωθούν σωστά ή να αντικατασταθούν.

18. Κρατάτε τα χέρια μακριά από τη διαδρομή της λάμας του πριονιού.

19. Να μην απλώνετε τα χέρια σας γύρω από τη λάμα του πριονιού.

20. Κλείστε το εργαλείο και περιμένετε να σταματήσει η λάμα του πριονιού πριν μετακινήσετε το κομμάτι προς επεξεργασία ή αλλάξετε τις ρυθμίσεις.

21. Αποσυνδέστε το ρεύμα πριν αλλάξετε τη λάμα, κάνετε σέρβις ή καθαρίσετε.

22. Για να μειώσετε τον κίνδυνο τραυματισμού, επιστρέψτε το στέλεχος στην εντελώς πίσω θέση μετά από κάθε λειτουργία εγκάρσιας κοπής.

ΦΥΛΑΞΤΕ ΑΥΤΕΣ ΤΙΣ ΟΔΗΓΙΕΣ ΓΙΑ ΑΝΑΦΟΡΑ ΣΤΟ ΜΕΛΛΟΝ ΕΠΙΠΛΕΟΝ ΟΔΗΓΙΕΣ ΑΣΦΑΛΕΙΑΣ

1. Αν και συμπαγές αυτό το πριόνι είναι βαρύ. Για να μειώσετε τον κίνδυνο τραυματισμού στη μέση σας, ζητάτε βοήθεια κάθε φορά που πρέπει να σηκώσετε το πριόνι.

2. Για να μειώσετε τον κίνδυνο τραυματισμού στη μέση σας, κρατάτε το εργαλείο κοντά στο σώμα σας όταν το σηκώνετε. Λυγίστε τα γόνατά σας ώστε να μπορείτε να το ανασηκώσετε με τα πόδια σας, όχι με τη μέση σας. Σηκώστε χρησιμοποιώντας τα σημεία κρατήματος σε κάθε πλευρά στο κάτω μέρος της βάσης.

3. Μην μεταφέρετε ποτέ το φαλτσοπρίνο από καλώδιο ρεύματος ή τη σκανδάλη της λαβής. Η μεταφορά του εργαλείου από το καλώδιο ρεύματος μπορεί να προκαλέσει βλάβη στην μόνωση ή τις συνδέσεις σύρματος με αποτέλεσμα να προκληθεί ηλεκτροπληξία ή πυρκαγιά.

4. Πριν αφαιρέσετε το πριόνι από το κουτί σφίξτε το κουμπί κλειδώματος ολίσθησης για προστασία σε περίπτωση απότομης κίνησης.

5. Τοποθετήστε το πριόνι σε μια ασφαλή ακίνητη επιφάνεια εργασίας και ελέγξτε το πριόνι προσεκτικά.

6. Προειδοποίηση. Μη κοιτάτε κατευθείαν στην ακτίνα λέιζερ. Μπορεί να υπάρχει κάποιος κίνδυνος εάν κοιτάτε επίμονα προς την ακτίνα, παρακαλούμε να τηρείτε όλες τους κανόνες ασφαλείας ως ακολούθως.

• Η ακτίνα λέιζερ δεν θα πρέπει να κατευθυνθεί εσκεμμένα προς το προσωπικό και θα πρέπει να αποφεύγεται να κατευθύνεται προς τα μάτια ενός ατόμου.

• Βεβαιωθείτε πάντοτε ότι η ακτίνα λέιζερ κατευθύνεται προς το αντικείμενο επεξεργασίας χωρίς ανταντακλαστικές επιφάνειες λόγω χάρη, ξύλο ή τραχείες επιφάνειες με επίχρυσμα είναι αποδεκτές.

• Μην αλλάξετε τη συναρμολόγηση φωτός λέιζερ με μια διαφορετικού τύπου.

ΠΡΟΔΙΑΓΡΑΦΕΣ

GR

Σειρά Μοντέλων 3

Κινητήρας (230v ~ 50/60 Hz)	1800W
RPM Χωρίς φορτίο	2500ελαχ.-1
Συνιστώμενος Μέγιστος Κύκλος Εργασίας	30Λεπτά
Επίπεδο Πίεσης Ήχου υπό Φορτίο)	98dB(A)
Επίπεδο Δόνησης υπό Φορτίο)	1.98m/s ²
Βάρος	19.6κιλά

Διαστάσεις Λάμας

Μέγιστη Διάμετρος	255χιλ
Εσωτερική διάμετρος:	25.4χιλ
Πάχος	2χιλ

Μέγιστη Ικανότητα Κοπής			
Μέγιστο	πλάτος	λοξόμη σης φαλτσωνιάς του	Μέγιστου πλάτους Κοπής
90°	90°	320mm (12.59")	75mm (2.95")
45°L / 45°R	45°	210mm (8.26")	40mm (1.57")
45°L / 45°R	90°	210mm (8.26")	75mm (2.95")
90°	45°	320mm (12.59")	40mm (1.57")

Βέλτιστο Πάχος Κοπής (Μέτρια Πλάκα Χάλυβα) : 3χιλ

Στάνταρτ Εξοπλισμός που παρέχεται με το Εργαλείο: 1 Λάμα MultiBlade, 1 πολύγωνο μηχανικό κλειδί, 1 οδηγίες λειτουργίας.

ΕΠΙΠΡΟΣΘΕΤΑ ΕΞΑΡΤΗΜΑΤΑ

Συμπληρωματικά προς τα κύρια εξαρτήματα με τα οποία είναι εξοπλισμένο το μηχανήμα αυτό, διαθέσιμα είναι και άλλα εξαρτήματα, τα οποία βελτιστοποιούν την απόδοσή του. Τα εξαρτήματα αυτά συμπεριλαμβάνουν τα παρακάτω κομμάτια:

1. Σύστημα Αρπάγης- ο σχεδιασμός του μηχανήματος επιτρέπει τη χρήση δύο 1 άνω και δύο 2 μπροστινών σφικτήρων (εάν το επιθυμείτε). Και οι δύο διατίθενται σαν προαιρετικά εξαρτήματα. (Υποσημείωση: 1 x Άνω σφικτήρας, 1 x Μπροστινός σφικτήρας είναι ο βασικός εξοπλισμός που διατίθεται με το μηχανήμα)
2. Diamond Λεπίδα – Μετατρέπει αυτό το μηχανήμα σε Κοπίδι για κεραμίδια ή πλακάκια. Η αντικατάσταση της βασικής TCT Λεπίδας με την Diamond Λεπίδα κάνει το μηχανήμα αυτό ένα Κοπίδι για κεραμίδια ή πλακάκια- ιδανικό για τα περισσότερα κεραμικά ή πορσελάνινα πλακάκια ή κεραμίδια.

Για την απόκτηση των επιπροσθέτων εξαρτημάτων επικοινωνήστε με τα τοπικά σημεία πώλησης (ή με την Evolution Power Tools).

ΠΡΟΔΙΑΓΡΑΦΕΣ

GR

ΤΟΠΟΘΕΤΗΣΗ ΦΑΛΤΣΟΠΡΙΟΝΟΥ

ΠΡΟΕΙΔΟΠΟΙΗΣΗ: Για να μειώσετε τον κίνδυνο τραυματισμού από απροσδόκητη κίνηση του πριονιού, τοποθετήστε το πριόνι στην επιθυμητή θέση είτε πάνω σε ένα πάγκο εργασίας ή σε άλλο συνιστώμενο σετ με πόδια στήριξης. Η βάση του πριονιού έχει τέσσερις οπές για την συναρμολόγηση του φαλτσοπριονίου. Εάν το πριόνι πρόκειται να χρησιμοποιηθεί σε ένα χώρο, στερεώστε το μόνιμα στον πάγκο εργασίας ή στο σετ με πόδια στήριξης.

1. Σφίξτε την ολισθαίνουσα ράγιά, τα κλειστρα φαλτσωνιάς και λοξόμησης.
2. Τοποθετήστε το πριόνι έτσι ώστε άλλα άτομα να μην μπορούν να σταθούν πίσω του. Θραύσματα θα μπορούσαν να τραυματίσουν ανθρώπους καθώς πετάνονται.
3. Τοποθετήστε το πριόνι σε μια σταθερή, επίπεδη επιφάνεια όπου υπάρχει πολλός χώρος για να κρατήσει κανείς και να στερεώσει καλά το κομμάτι προς επεξεργασία.
4. Στήριξτε το πριόνι ώστε το τραπέζι να είναι επίπεδο και το πριόνι να μην ταλαντεύεται.
5. Βιδώστε ή σφίξτε στη θέση του το πριόνι.

ΕΓΚΑΤΑΣΤΑΣΗ Η ΑΦΑΙΡΕΣΗ ΤΗΣ ΛΑΜΑΣ

ΠΡΟΕΙΔΟΠΟΙΗΣΗ: Χρησιμοποιείτε μόνο γνήσιες λάμες Evolution που είναι σχεδιασμένες για αυτό το μηχανήμα.

1. Βεβαιωθείτε ότι η κεφαλής κοπής είναι προς τα πάνω.
2. Αφαιρέστε την προστατευτική σφικτήρες (Σχήμα 1)
3. Πατήστε την κλειδαριά ασφαλείας προς τα μέσα και ανασηκώστε το προστατευτικό της κάτω λάμας (Σχήμα 2)
4. Πατήστε το μαύρο κουμπί ασφαλείας, και κλειδώστε τον άξονα. (Σχήμα 3).
5. Πατήστε το μηχανικό κλειδί που παρέχεται και αφαιρέστε τη λάμα (Σχήμα 4).
6. Εγκαταστήστε τη νέα λάμα 255 χιλ. Βεβαιωθείτε ότι το βέλος περιστροφής πάνω στη λάμα ταιριάζει με τον πάνω προφυλακτήρα. Τα δόντια της λάμας θα πρέπει πάντοτε να βλέπουν προς τα κάτω στο εμπρός μέρος του πριονιού.
7. Εγκαταστήστε τις ροδέλες της λάμας και τη βίδα του άξονα.
8. Στρίψτε το μηχανικό κλειδί ώσπου να στερεωθεί η λάμα.
9. Σφίξτε τη βίδα του άξονα χρησιμοποιώντας μέτρια δύναμη, αλλά μην σφίγγετε υπερβολικά.
10. Αντικαταστήστε τη σφικτήρες προφυλακτήρα (Σχήμα 1)
11. Βεβαιωθείτε ότι έχετε απομακρύνει το γαλλικό κλειδί προτού θέσετε το μηχανήμα σε χρήση.

ΣΑΚΟΣ ΣΥΛΛΟΓΗΣ ΚΑΤΑΛΟΙΠΩΝ

Ο σάκος συλλογής καταλοίπων πρέπει να βρίσκεται προσαρμοσμένος στο σημείο εξαγωγής των καταλοίπων.

1. Τραβήξτε την εγκοπή του σάκου συλλογής καταλοίπων μπροστά, προς την άκρη του σημείου εξαγωγής των καταλοίπων και βεβαιωθείτε ότι εφαρμόζει σφικτά.
2. Για να αποσυνδέσετε τον σάκο τραβήξτε την εγκοπή προς την αντίθετη κατεύθυνση.

ΠΡΟΕΙΔΟΠΟΙΗΣΗ- Προτού αποκόψετε τα μεταλλικά κομμάτια ο σάκος συλλογής καταλοίπων ΠΡΕΠΕΙ να είναι άδειος από όλα τα κατάλοιπα: χρησιμοποιήστε το πρακτικό φερμουάρ στο πλάι.

ΕΦΑΡΜΟΓΗ ΤΟΥ ΕΠΑΝΑΛΗΠΤΙΚΟΥ ΣΤΟΠ

1. Χαλαρώστε τη βίδα για να επιτρέψετε τους βραχιόνες των στηριγμάτων του κομματιού προς επεξεργασία μέσα στις οπές στις δικλίδες επανάληψης στοπ.
2. Σφίξτε τις βίδες καλά για να ελαχιστοποιήσετε την κίνηση στο στήριγμα του κομματιού προς επεξεργασία.
3. Συνδέστε το στήριγμα του επεξεργασμένου κομματιού προς επεξεργασία όπως περιγράφεται αναλυτικά πιο κάτω.

ΣΗΜΕΙΩΣΗ: Χαλαρώνοντας τις βίδες η δικλίδα επανάληψης στοπ μπορεί να ρυθμιστεί στο επιθυμητό πλάτος για κάθε εφαρμογή.

ΣΥΝΑΡΜΟΛΟΓΗΣΗ ΤΟΥ ΥΠΟΣΤΗΡΙΓΜΑΤΟΣ ΤΟΥ ΚΟΜΜΑΤΙΟΥ ΠΡΟΣ ΕΠΕΞΕΡΓΑΣΙΑ (Σχήμα 7)

1. Χαλαρώστε τη βίδα στήριξης του υποστηρίγματος που βρίσκεται πάνω στην περιστρεφόμενη βάση.
2. Εισάγετε το υποστήριγμα του κομματιού προς επεξεργασία στις οπές στήριξης στη βάση
3. Σφίξτε την βίδα στήριξης.

ΣΦΙΞΤΕ ΤΗ ΜΕΓΓΕΝΗ ΣΤΗΝ ΠΑΝΩ ΜΕΡΙΑ ΤΗΣ ΚΑΤΑΣΚΕΥΗΣ (Σχήμα 8)

1. Εφαρμόστε τον σφικτήρα στην οπή στήριξης όσο γίνεται καλύτερα για την εφαρμογή κοπής, εξασφαλίζοντας ότι είναι εντελώς πατημένος προς τα κάτω.
2. Σφίξτε την βίδα για να κλειδώσει ο στυλοβάτης.
3. Βάλτε το κομμάτι προς επεξεργασία που πρόκειται να κοπεί πάνω στο υπέρεισμα του πριονιού.
4. Ρυθμίστε το σφικτήρα ώστε να κρατά γερά το κομμάτι προς κατεργασία.

ΣΦΙΞΤΕ ΤΗ ΜΕΓΓΕΝΗ ΣΤΗΝ ΜΠΡΟΣΤΙΝΗ ΜΕΡΙΑ ΤΗΣ ΚΑΤΑΣΚΕΥΗΣ (Σχήμα 8a)

1. Εφαρμόστε τον σφικτήρα στην οπή στήριξης όσο γίνεται καλύτερα για την εφαρμογή κοπής.
2. Βάλτε το κομμάτι προς επεξεργασία που πρόκειται να κοπεί πάνω στο υπέρεισμα του πριονιού.
3. Ρυθμίστε το σφικτήρα ώστε να κρατά γερά το κομμάτι προς κατεργασία.

ΥΠΟΣΗΜΕΙΩΣΗ: Ο συνδυασμός της επάνω και της μπροστινής μέγγνης σταθεροποιεί καλύτερα την κατασκευή.

ΤΕΡΜΑΤΙΣΜΟΣ ΒΑΘΟΥΣ (Σχήμα 9)

Η χρήση του χαρακτηριστικού τερματισμού βάθους σημαίνει ότι η λάμα δεν θα κόψει εντελώς εγκάρσια το κομμάτι προς επεξεργασία ανάλογα με το βάθος που έχει ρυθμιστεί. Αυτό επιτρέπει στον χειριστή να κόβει σχισμές το κομμάτι προς επεξεργασία. ΣΗΜΕΙΩΣΗ: Συνιστάται να γίνεται έλεγχος του βάθους του κομματιού πριν αρχίσει η κοπή του κομματιού προς επεξεργασία. Κάνοντας ένα κόψιμο στο κομμάτι και στη συνέχεια κινώντας το ελαφρά προς τα αριστερά ή προς τα δεξιά πριν επαναλάβετε, είναι δυνατόν να κάνετε αυλακωτά κομμάτια στο κομμάτι προς επεξεργασία.

Για να χρησιμοποιήσετε το χαρακτηριστικό του τερματισμού βάθους ακολουθήστε αυτά τα βήματα:

1. Χαλαρώστε το φτερωτό περικόχλιο (πεταλούδα).
2. Ρυθμίστε το κουμπί στο επιθυμητό βάθος.
3. Από τη στιγμή που έχει ρυθμιστεί στο επιθυμητό βάθος σφίξτε την πεταλούδα στο υποστήριγμα για να κλειδώσει ο τερματισμός βάθους και βεβαιωθείτε ότι δεν υπάρχει καμία κίνηση.

ΑΠΕΛΕΥΘΕΡΩΣΗ ΦΡΑΓΜΕΝΟΥ ΥΛΙΚΟΥ:

1. Κλείστε το φαλτσοπριόνιο (OFF) απελευθερώνοντας τη σκανδάλη.
2. Περιμένετε να σταματήσουν όλα τα κινούμενα μέρη.
3. Βγάλτε από την πρίζα το φαλτσοπριόνιο
4. Αφαιρέστε το φραγμένο υλικό από τη συσκευή.

ΟΔΗΓΙΕΣ ΛΕΙΤΟΥΡΓΙΑΣ

GR

ΑΠΟΣΥΝΔΕΕΤΕ ΤΟ ΦΑΛΤΣΟΠΡΙΟΝΟ ΚΑΙ ΕΠΙΘΕΩΡΕΙΤΕ ΤΟ ΠΡΙΟΝΙ ΣΑΣ ΠΡΙΝ ΑΠΟ ΚΑΘΕ ΧΡΗΣΗ.

ΠΡΟΕΙΔΟΠΟΙΗΣΗ: Για να μειώσετε τον κίνδυνο τραυματισμού, βγάzte πάντοτε το καλώδιο πριν αλλάξετε η ρυθμίσετε οτιδήποτε. Συγκρίνατε την κατεύθυνση του βέλους περιστροφής πάνω στον προφυλακτήρα με το βέλος κατεύθυνσης πάνω στη λάμα. Τα δόντια της λάμας θα πρέπει πάντοτε να δείχνουν προς το εμπρός μέρος του πριονιού. Σφίξτε την βίδα του άξονα. Σφίξτε τη βίδα της πλάκας καλύμματος.

ΠΡΟΕΤΟΙΜΑΣΙΑ ΓΙΑ ΠΡΑΓΜΑΤΟΠΟΙΗΣΗ ΚΟΠΗΣ

ΠΡΟΣΟΧΗ: ΠΟΤΕ να μην τραβάτε το πριόνι προς εσάς κατά τη διάρκεια της κοπής. Η λάμα μπορεί ξαφνικά να σκαρφαλώσει στην κορυφή του κομματιού προς επεξεργασία και να στραφεί με δύναμη προς εσάς.

- Αποφύγετε άβολες λειτουργίες και θέσεις των χεριών όπου ένα ξαφνικό γλίστρημα θα μπορούσε να κάνει τα δάκτυλα ή το χέρι να κινηθούν προς τα μέσα της λάμας.
- Κόβετε μόνο ένα κομμάτι προς επεξεργασία κάθε φορά.
- Απομακρύνετε τα πάντα εκτός από το κομμάτι προς επεξεργασία και τις σχετικές συσκευές υποστήριξης από τη λάμα πριν θέσετε σε λειτουργία το φαλτσοπρίονο.
- Ασφαλίστε το κομμάτι προς επεξεργασία χρησιμοποιώντας σφικτήρες για να το κρατούν σταθερό.

ΚΑΝΟΝΤΑΣ ΚΟΙΝΕΣ ΚΟΠΕΣ ΟΛΙΣΘΗΣΗΣ ΜΕ ΤΟ ΦΑΛΤΣΟΠΡΙΟΝΟ.

Υπάρχουν δυο τύποι κοπής που μπορούν να γίνουν με το σύνθετο φαλτσοπρίονο.

Κοπή Ολισθήσης

Χαλαρώστε το κουμπί κλειδώματος ολισθήσης και κινείστε την κεφαλή κοπής προς τον χειριστή. Η λάμα του πριονιού είναι κατεβαμένη μέσα στο κομμάτι προς επεξεργασία και στη συνέχεια σπρωγμένη στο πίσω μέρος του πριονιού για ολοκληρωθεί η κοπή.

1. Τοποθετήστε ξύλο κόντρα σε φράχτη και ασφαλίστε με σφικτήρα όπως πρέπει.
2. Χαλαρώστε το κουμπί ασφαλείας στα πλάγια.
3. Πιάστε γερά τη λαβή του πριονιού και τραβήξτε τον φορέα ώσπου ο άξονας (κέντρο της λάμας του πριονιού) να είναι πάνω από την εμπρός πλευρά του κομματιού προς επεξεργασία.
4. Πατήστε τον κάτω προφυλακτήρα για να απασφαλίσετε το λεβιέ για να απελευθερωθεί η κεφαλή του πριονιού.

5. Ανοίξτε το διακόπτη του πριονιού και αφήστε το πριόνι να φτάσει στην μέγιστη ταχύτητα.
6. Πιέστε τη λαβή του πριονιού ως κάτω και κόψτε ως την άκρη της πλευράς του κομματιού προς επεξεργασία.
7. Πατήστε απαλά τη λαβή του πριονιού προς το φράχτη ολοκληρώνοντας την κοπή.
8. Βεβαιωθείτε ότι είναι πατημένο πίσω μετά από κάθε κοπή.
9. Απελευθερώστε τη σκανδάλη για να κλείσετε το πριόνι και να επιτρέψετε στη λάμα να σταματήσει εντελώς πριν να κινηθεί τα χέρια σας ή να αφαιρέσετε το κομμάτι προς επεξεργασία.

Κοπή Σε Μικρα Κομμάτια

Το κουμπί ολισθήσης ασφαλείας σφίγγεται και η λαβή του πριονιού πιέζεται προς τα κάτω για να γίνει εγκάρσια κοπή του κομματιού προς επεξεργασία. Ο τύπος αυτός κοπής χρησιμοποιείται κυρίως για στενά κομμάτια.

1. Ολισθαίνετε την κεφαλή κοπής προς τα πίσω όσο γίνεται.
2. Κλειδώστε το κουμπί κλειδώματος στα πλάγια.
3. Τοποθετήστε το κομμάτι προς επεξεργασία στο τραπέζι και κόντρα στο πλέγμα προστασίας και ασφαλίστε με σφικτήρα όπως πρέπει.
4. Πιάστε γερά τη λαβή του πριονιού.
5. Θέσατε σε λειτουργία το πριόνι και αφήστε το να φτάσει στη μέγιστη ταχύτητα.
6. Πατήστε τον κάτω προφυλακτήρα και ξεκλειδώστε το λεβιέ για να απελευθερωθεί η κεφαλή του πριονιού.
7. Πατήστε τη λαβή του πριονιού προς τα κάτω και κόψτε το κομμάτι προς επεξεργασία.
8. Αφού έχει ολοκληρωθεί η κοπή σβήστε το πριόνι, αφήστε τη λάμα να σταματήσει εντελώς.

ΠΡΟΕΙΔΟΠΟΙΗΣΗ: Για διευκόλυνση της χρήσης, το πριόνι έχει ένα φρένο λάμας. Μην το εμπιστεύεστε ποτέ απόλυτα αντί για τη σωστή χρήση του προφυλακτήρα στο πριόνι σας.

ΘΕΣΗ ΣΩΜΑΤΟΣ ΚΑΙ ΧΕΡΙΩΝ:

1. Ποτέ να μην βάζετε τα χέρια σας κοντά στην περιοχή κοπής και να κρατάτε το χέρι μακριά από τη διαδρομή της λάμας.
2. Κρατάτε γερά το κομμάτι προς επεξεργασία στο πλέγμα προστασίας για να εμποδίσετε την κίνηση προς τη λάμα.
3. Πριν κάνετε μια κοπή. Κάντε μια δοκιμή λειτουργίας χωρίς ρεύμα ώστε να μπορείτε να δείτε τη διαδρομή της λάμας.
4. Κρατάτε τα χέρια στη θέση τους ώσπου να απελευθερωθεί η σκανδάλη και η λάμα έχει οριστικά σταματήσει.

ΦΑΛΤΣΟΚΟΠΗ (Fig. 5)

Μια γωνία έως 45 °αριστερά ή δεξιά μπορεί να επιτευχθεί χρησιμοποιώντας το εργαλείο.

1. Χαλαρώστε την ολισθαίνουσα ράγα κλειδώνοντας το κουμπί, πατήστε τη λαβή του πριονιού πίσω όσο γίνεται και κλειδώστε τη λαβή.
2. Χαλαρώστε το κουμπί κλειδώματος της γωνίας φαλτσογωνίας.
3. Τραβήξτε προς τα πάνω το λεβιέ ρύθμισης γωνίας του αρμού.
4. Στριψτε το τραπέζι στην επιθυμητή γωνία όπως φαίνεται στο δείκτη γωνίας του αρμού.
5. Σφίξτε το κουμπί ασφάλισης γωνίας για να κρατήσει την επιθυμητή γωνία.
6. Ξεκινήστε το πριόνι και αφήστε το να φτάσει στη μέγιστη ταχύτητα πριν αρχίσετε την κοπή.

ΚΟΠΗ ΛΟΞΟΤΜΗΣΗΣ (Fig. 6)

1. Κλειδώστε την κεφαλή κοπής προς τα κάτω με το κουμπί κλειδώματος κοπής.
2. Χαλαρώστε το κλειδί λοξότμησης.
3. Ρυθμίστε τη γωνία ώσπου ο δείκτης γωνίας λοξότμησης να φτάσει στην επιθυμητή γωνία λοξότμησης.
4. Σφίξτε το κλειδί λοξότμησης.
5. Σταθείτε στα αριστερά της λαβής για να κάνετε την κοπή.

ΣΥΝΘΕΤΗ ΚΟΠΗ

Ταν απαιτείται μια σύνθετη κοπή. Επιλέξτε τις επιθυμητές θέσεις λοξότμησης και φαλτσογωνίας

ΚΟΠΗ ΚΥΡΤΩΜΕΝΟΥ ΥΛΙΚΟΥ (Σχήμα 10 & 11)

Πριν κόψετε ένα κομμάτι προς επεξεργασία, ελέγξτε για να βεβαιωθείτε ότι δεν είναι κυρτωμένο. Εάν είναι κυρτωμένο, το κομμάτι προς επεξεργασία θα πρέπει να τοποθετηθεί και να κοπεί όπως φαίνεται στην εικόνα. Μην τοποθετείτε το κομμάτι προς επεξεργασία λανθασμένα ούτε να προσπαθήσετε να κόψετε το κομμάτι προς επεξεργασία χωρίς την υποστήριξη του προστατευτικού πλέγματος. Αυτό μπορεί να προκαλέσει «σίμπημα» του κομματιού προς επεξεργασία πάνω στη λάμα. Το κομμάτι προς επεξεργασία μπορεί ξαφνικά να πηδήξει ή να μετακινηθεί και το χέρι σας μπορεί να κτυπήσει τη λάμα.

ΣΥΝΤΗΡΗΣΗ

GR

ΚΑΘΑΡΙΣΜΟΣ

Χρησιμοποιείτε μόνο μαλακό σαπούνι και υγρό πανί για να καθαρίσετε το εργαλείο. Ποτέ να μην αφήνετε οτιοδήποτε υγρό στο εσωτερικό του εργαλείου· ποτέ να μην βυθίζετε οτιοδήποτε τμήμα του εργαλείου μέσα σε υγρό.

Καθαρίζετε τακτικά τους αεραγωγούς του εργαλείου με πεπιεσμένο ξηρό αέρα. **ΜΗΝ ΕΠΙΧΕΙΡΗΣΕΤΕ ΝΑ ΚΑΘΑΡΙΣΕΤΕ ΕΙΣΑΓΟΝΤΑΣ ΑΙΧΜΗΡΑ ΑΝΤΙΚΕΙΜΕΝΑ ΔΙΑ ΜΕΣΟΥ ΤΩΝ ΑΝΟΙΓΜΑΤΩΝ.**

ΛΙΠΑΝΣΗ

Όλοι οι τριβείς σε αυτό το εργαλείο έχουν λιπανθεί με επαρκή ποσότητα υψηλής ποιότητας λιπαντικό για όλη τη διάρκεια ζωής του εργαλείου υπό κανονικές συνθήκες λειτουργίας. Επομένως, δεν χρειάζεται περαιτέρω λίπανση.

12 ΜΗΝΩΝ ΕΓΓΥΗΣΗ

GR

12 ΠΕΡΙΟΡΙΣΜΕΝΗ ΕΓΓΥΗΣΗ ΕΝΟΣ ΜΗΝΟΣ. Η EVOLUTION POWER TOOLS ΔΙΑΤΗΡΕΙ ΤΟ ΔΙΚΑΙΩΜΑ ΝΑ ΚΑΝΕΙ ΒΕΛΤΙΩΣΕΙΣ ΚΑΙ ΤΡΟΠΟΠΟΙΗΣΕΙΣ ΣΤΟ ΣΧΕΔΙΟ ΧΩΡΙΣ ΠΡΟΗΓΟΥΜΕΝΗ ΠΡΟΕΙΔΟΠΟΙΗΣΗ.

Η Evolution Power Tools, εντός δώδεκα (12) μηνών από την αρχική ημερομηνία αγοράς, θα επιδιορθώσει ή θα αντικαταστήσει οποιαδήποτε προϊόντα διαπιστωθεί ότι είναι ελαττωματικά σε υλικά και κατασκευή. Η εγγύηση αυτή είναι άκυρη εάν το εργαλείο που επιστραφεί έχει χρησιμοποιηθεί για να κόψει υλικά πέρα από τα υποδεικνυόμενα στο Εγχειρίδιο Οδηγιών ή εάν το πριόνι έχει υποστεί βλάβη από ατύχημα, αμέλεια, ή μη σωστό σέρβις. Η εγγύηση αυτή δεν ισχύει για μηχανήματα και/ή εξαρτήματα που έχουν υποστεί μεταβολή, έχουν αλλάξει, ή τροποποιηθεί με οποιοδήποτε τρόπο, ή έχουν γίνει αντικείμενο χρήσης πέρα από τις συνιστώμενες δυνατότητες και προδιαγραφές. Τα ηλεκτρικά εξαρτήματα καλύπτονται από αντίστοιχες εγγυήσεις κατασκευαστών. Όλα τα προϊόντα που επιστρέφονται με ελάττωμα θα επιστραφούν με προπληρωμένη τη μεταφορά στην Evolution Power Tools. Η Evolution Power Tools επιφυλάσσει του δικαιώματος να επιδιορθώσει κατ'επιλογήν ή να αντικαταστήσει το προϊόν με το ίδιο ή με αντίστοιχο. Δεν υπάρχει καμία εγγύηση – γραπτή ή προφορική- Για λάμες πριονιού. Σε καμία περίπτωση η Evolution Power Tools δεν θα είναι υπεύθυνη για την απώλεια ή βλάβη που προκύπτει ως άμεσο ή έμμεσο αποτέλεσμα από τη χρήση ή την εμπορική εκμετάλλευση ή από οποιαδήποτε άλλη αιτία. Η Evolution Power Tools δεν είναι υπεύθυνη για οποιοδήποτε δαπάνες που θα επιβαρύνουν τέτοια προϊόντα ή συνακόλουθες βλάβες. Κανένας υπεύθυνος, υπάλληλος ή αντιπρόσωπος της Evolution Power Tools δεν είναι εξουσιοδοτημένος να κάνει προφορικές παραστάσεις καταλληλότητας ή να παρακάμψει οποιοδήποτε προηγούμενος όρος πώλησης και κανείς δεν θα είναι δεσμευτικός για την Evolution Power Tools.

Θα πρέπει να απευθύνετε τα ερωτήματά σας που συνδέονται με την παρούσα περιορισμένη εγγύηση στα κεντρικά γραφεία της εταιρείας, ή να τηλεφωνήσετε τον κατάλληλο αριθμό της Γραμμής Βοήθειας

IT

Manuale Di Istruzioni

Leggere le istruzioni prima di utilizzare questo strumento.



IMPORTANTE

IT

Prego leggere attentamente e completamente questo manuale e istruzioni di sicurezza. Per la sua sicurezza, prima di utilizzare questo attrezzo controlli che il voltaggio sia corretto e che tutte le parti siano saldamente fissate. Se avesse dei dubbi su come utilizzare questo attrezzo, prego contattare il nostro Servizio Tecnico.

Servizio Tecnico UK 0870 609 2297
Servizio Tecnico Italia 011 994 56 19

RAGE3 Sega Radiale Universale

Congratulazioni per l'acquisto della sua Evolution RAGE3 Sega Radiale Universale. Prego compilare e spedire la scheda di registrazione del prodotto. Così facendo convaliderà il periodo di garanzia del suo attrezzo e si assicurerà un pronto servizio in caso di bisogno. Un grazie sincero per aver scelto un prodotto Evolution Power Tools.

ATTENZIONE: IMPORTANTI ISTRUZIONI DI SICUREZZA

Per ridurre il rischio di shock elettrico, questo attrezzo è stato dotato di un filo e di una spina elettrica approvata per poter essere usato nel suo Paese. Non cambiare per nessun motivo la spina elettrica.

REGOLE DI SICUREZZA GENERALE

IT

ATTENZIONE: Per la sua sicurezza, leggere attentamente le istruzioni della RAGE3 prima di usare l'attrezzo.

- 1. FARE ATTENZIONE** alle situazioni e lavorare ordinatamente.
- 2. RIMUOVERE LE CHIAVI E GLI ATTREZZI DI MANOVRA.** Controllare sempre che gli attrezzi siano stati rimossi dalla sega prima di accenderla.
- 3. TENERE L'AREA DI LAVORO PULITA.** Banchi disordinati e aree ingombre provocano incidenti
- 4. NON USARE IN AMBIENTI PERICOLOSI.** Non usare l'attrezzo in aree umide, e non esporlo alla pioggia. Tenere l'area di lavoro ben illuminata.
- 5. TENERE LONTANI I BAMBINI.** Gli estranei al lavoro dovrebbero essere tenuti ad adeguata distanza dall'area di manovra.
- 6. NON SFORZARE L'ATTREZZO.** Lavorerà meglio e sarà più sicuro se utilizzato nel modo corretto per il quale è stato progettato.
- 7. USARE UNA PROLUNGA CORRETTA.** Assicurarsi che la prolunga sia in buone condizioni. Quando si usa una prolunga, bisogna essere sicuri della portata della prolunga stessa in modo che possa far funzionare al meglio l'attrezzo.

Una prolunga non corretta provocherà una perdita della potenza e il surriscaldamento sia della prolunga stessa che dell'attrezzo.

- 8. ABBIGLIAMENTO APPROPRIATO.** Non utilizzare vestiti o gioielli svolazzanti che potrebbero impigliarsi nelle parti in movimento. Si raccomandano calzature antiscivolo. Raccogliere i capelli lunghi.
- 9. USARE SEMPRE OCCHIALI DI SICUREZZA.** Usare mascherine antipolvere se il lavoro da svolgere è polveroso. Gli occhiali da vista hanno lenti resistenti ma NON sono occhiali di sicurezza.
- 10. LAVORO SICURO.** Usare morsetti per lavorare comodi. E' più sicuro che utilizzare la mano così ambo le mani saranno libere per azionare l'attrezzo.
- 11. NON ESAGERARE.** Tenere appiglio ed equilibrio corretto in ogni situazione.
- 12. MANTENERE GLI ATTREZZI CON CURA.** Tenere l'attrezzo affilato e pulito per un lavoro migliore e più sicuro. Seguire sempre le istruzioni per eseguire le manutenzioni.
- 13. DISCONNETTERE L'ATTREZZO** prima di riparare o cambiare gli accessori come ad esempio le lame.
- 14. RIDURRE IL RISCHIO DI PARTENZA ACCIDENTALE.** Assicurarsi che l'interruttore sia posizionato su "off" prima di collegare la corrente.
- 15. USO DEGLI ACCESSORI.** Usare solo accessori Evolution originali.
- 16. ATTENZIONE NELL'USO DELL'UTENSILE.** Potrebbero accadere danni gravi se l'attrezzo ha parti appuntite o se si viene a contatto con la lama involontariamente.
- 17. CONTROLLO PARTI DANNEGGIATE.** Prima utilizzare l'utensile bisogna controllare che il carter o altre parti non siano danneggiate per far sì che la macchina funzioni perfettamente. Controllare l'allineamento delle parti in movimento, se si sono incastrate, eventuali rotture, il buon montaggio e tutte le condizioni per un buon lavoro. Un carter o qualsiasi altra parte danneggiata dovrà essere prontamente riparata o sostituita.
- 18.** Tenere le mani lontane dalla lama della sega.
- 19.** Non allungare la mano vicino alla lama in movimento.
- 20.** Spegner l'attrezzo e attendere che la lama si fermi prima di estrarre il pezzo tagliato o prima di toccare qualunque parte di ricambio.
- 21.** Disconnettere la corrente prima di cambiare una lama, pulire l'attrezzo o fare lavori di manutenzione.
- 22.** Per ridurre il rischio di danno, rimettere il carrello nella posizione iniziale dopo ogni operazione di taglio.

CONSERVARE QUESTE
ISTRUZIONI PER POTERLE
POI CONSULTARE IN
FUTURO

ISTRUZIONI DI SICUREZZA SUPPLEMENTARI

- 1.** Anche se è compatta, questa sega è molto pesante. Per ridurre il rischio di danno farsi aiutare ogni volta che si deve alzare la sega.
- 2.** Per ridurre il rischio di danno tenere l'attrezzo vicino al corpo quando si sta per alzare. Piegare le ginocchia così da poter far forza sulle gambe e non sulla schiena. Alzare usando le aree di appiglio su ogni lato della base.
- 3.** Non trasportare mai la sega radiale dal suo cavo di corrente e non afferrare per il manico in prossimità dell'interruttore.
- 4.** Prima di rimuovere la sega dal cartone stringere la manopola per serrare per proteggersi da movimenti improvvisi.
- 5.** Posizionare la sega su una superficie piana e sicura per poterla controllare attentamente.
- 6. ATTENZIONE!** Non fissare lo sguardo direttamente sul laser. Si possono arrecare danni alla vista se si guarda fisso nel raggio del laser, per favore osservare tutte le regole di sicurezza come segue:

- Il raggio del laser non deve essere spostato intenzionalmente e non deve essere rivolto direttamente verso gli occhi di nessuno.
- Assicurarsi sempre che il raggio del laser sia rivolto verso il pezzo da lavorare e che non sia una superficie riflettente.
- Non cambiare l'assemblaggio del laser con uno non originale.

SPECIFICHE TECNICHE

IT

Modello RAGE3

Motore (230v ~ 50/60 Hz)	1800W
Giri / Minuto	2500
Ciclo di lavoro raccomandato	30minuti
Livello di pressione sonora	98dB(A)
Livello vibrazioni sotto carico	1.98m/s ²
Peso	19.6kg

Dimensioni Lama

Diametro massimo	255mm
Diametro foro	25.4mm
Spessore lama	2mm

SPECIFICHE TECNICHE

IT

Massime capacità di taglio			
Radiale	Angolazione	Max Lunghezza Taglio	Max Altezza Taglio
90°	90°	320mm	75mm
45°sx / 45°dx	45°	210mm	40mm
45°sx / 45°dx	90°	210mm	75mm
90°	45°	320mm	40mm
Spessore di taglio acciaio 3mm			

Attrezzatura standard fornita con l'attrezzo:

1 Lama multiuso, 1 Chiave a tubo, 1 Libretto di istruzioni.

ACCESSORI ADDIZIONALI

In aggiunta agli accessori standard forniti con l'elettrotensile, altri accessori sono disponibili per migliorarne la prestazione. Essi includono:

1. sistema di bloccaggio – la struttura di questo elettrotensile consente l'utilizzo di 1 morsetto di bloccaggio superiore e/o 2 anteriori (se si desidera). Entrambi sono disponibili come accessori opzionali. (Nota: 1 x morsetto di bloccaggio superiore, 1 x morsetto di bloccaggio anteriore sono forniti con l'elettrotensile)

2. lama diamantata – per convertire l'elettrotensile in un tagliapiastrelle. Sostituendo la lama TCT standard con la lama diamantata opzionale, questo elettrotensile si trasforma in un tagliapiastrelle, adatto per la maggior parte di piastrelle in ceramica/porcellana.

Per ottenere accessori addizionali, contattare il proprio rivenditore locale (o Evolution Power Tools).

ASSEMBLAGGIO

IT

MONTAGGIO DELLA SEGA RADIALE

ATTENZIONE: Per ridurre il rischio di danno causato da movimenti inaspettati della sega, posizionare la sega nel posto desiderato o sopra un banco di lavoro oppure sopra cavalletti sicuri. La base dell'attrezzo ha quattro fori per poter montare la sega radiale. Se la sega viene utilizzata in un posto permanente assicurarla al banco di lavoro oppure ai cavalletti sicuri.

1. Stringere la barra scorrevole radiale e stringere la morsa.
2. Posizionare la sega in modo che non si possa stazionare dietro l'attrezzo. I frammenti prodotti durante l'uso potrebbero causare danni alle persone.
3. Posizionare la sega in un posto sicuro, sopra una superficie livellata in una stanza dove si potrà lavorare il materiale.
4. Posizionare la sega sopra un piano livellato così da non far vibrare l'attrezzo.
5. Fissare e stringere la sega ad un supporto.

INSTALLAZIONE O SOSTITUZIONE DELLA LAMA

ATTENZIONE: Utilizzare solo lame originali Evolution che sono state create appositamente per questo attrezzo.

1. Assicurarsi che la sega radiale sia posizionata in alto.
2. Rimuovere l'anello di tenuta di fissaggio. (Fig. 1)
3. Premere il pulsante di sicurezza e alzare il paralama. (Fig. 2)
4. Premere il pulsante nero per bloccare l'albero motore. (Fig. 3)
5. Usando la chiave fornita, svitare la vite dell'albero per rimuovere la lama. (Fig. 4)
6. Installare la lama nuova da 255mm. Assicurarsi che la freccia posizionata sulla lama ruoti in senso orario corrispondente alla protezione superiore. I denti della lama dovranno essere sempre rivolti verso il basso rispetto alla sega stessa.
7. Installare la rondella della lama e la vite dell'albero.
8. Ruotare la manopola per bloccare la lama.
9. Stringere la vite con moderata forza, non forzare il bloccaggio.
10. Rimpiazzare l'anello di tenuta di fissaggio (Fig. 1)
11. Assicurarsi che la chiave sia stata rimossa prima di mettere in funzione la macchina.

SACCO DI RACCOLTA TRUCIOLI

Il sacco di raccolta trucioli deve essere applicato all'apertura per l'estrazione dei trucioli.

1. Far scivolare il telaio del sacco di raccolta sull'uscita dell'apertura di estrazione, assicurandosi che esso sia connesso saldamente.

2. Per sganciare il sacco, far scivolare il telaio nella direzione opposta.

ATTENZIONE: prima di tagliare materiali metallici, si DEVE svuotare il sacco di raccolta trucioli usando la pratica cerniera laterale.

MONTAGGIO DEL RIPETITORE DI STOP

1. Allentare il dado per permettere al materiale da lavorare di appoggiarsi nei fori del ripetitore di stop.

2. Stringere il dado fermamente per ridurre al minimo il movimento del supporto del pezzo da lavorare.

3. Attaccare il supporto per il pezzo da lavorare come nel dettaglio sotto.

NOTA: Allentando il dado la ripetizione di stop può adattarsi a diverse applicazioni.

MONTAGGIO DEI SUPPORTI LATERALI (Fig.7)

1. Allentare la vite che trattiene la piattaforma girevole.

2. Inserire i supporti nei fori presenti sulla base.

3. Stringere la vite per fissarli.

MONTAGGIO DEL MORSETTO DI BLOCCAGGIO SUPERIORE (Fig.8)

1. Inserire il morsetto nel foro in modo da migliorare il taglio, assicurarsi di spingere fino in fondo.

2. Stringere la vite a testa zigrinata per fissare la colonna.

3. Mettere il pezzo da tagliare sopra la base della sega.

4. Sistemare il morsetto così da fissare saldamente il pezzo da lavorare.

MONTAGGIO DEL MORSETTO DI BLOCCAGGIO ANTERIORE (Fig. 8a)

1. Inserire il morsetto nel foro in modo da migliorare il taglio.

2. Mettere il pezzo da tagliare sopra la base della sega.

3. Sistemare il morsetto così da fissare saldamente il pezzo da lavorare.

NOTA: Usare in modo combinato il morsetto di bloccaggio superiore e quello anteriore per fissare al meglio il pezzo da lavorare.

STOP DI PROFONDITA' (Fig. 9)

L'uso dello stop di profondità vuole dire che la lama non taglierà completamente il materiale, ciò dipende dalla profondità che sarà scelta. Questo permette all'utilizzatore di fare piccole fessure nel pezzo. **NOTA:** E' consigliabile controllare la profondità di taglio con un pezzo di legno come prova prima di tagliare il materiale desiderato. Facendo un taglio nel materiale e muovendo a destra e sinistra prima di ricominciare, è possibile tenere delle scanalature nel pezzo da tagliare.

Per usare lo stop di profondità seguire le seguenti fasi:

1. Allentare il dado ad alette.

2. Adattare la manopola alla profondità richiesta.

3. Una volta scelta la profondità, stringere il dado verso la fascia che trattiene il tutto per chiudere lo stop, assicurarsi che sia chiuso saldamente e non ci siano movimenti.

CHIARIMENTI SUL MATERIALE BLOCCATO :

1. Girare l'interruttore della sega radiale su "OFF" per permettere all'attrezzo di fermarsi.

2. Attendere che tutte le parti in movimento si siano fermate.

3. Staccare dalla corrente la sega radiale.

4. Rimuovere il materiale che si è inceppato nell'attrezzo.

MODULO D'USO

IT

DISCONNETTERE LA SEGA RADIALE E CONTROLLARLA PRIMA DI OGNI USO.

ATTENZIONE: Per ridurre il rischio di danni, staccare sempre dalla corrente la sega prima di sostituire o riparare qualunque cosa. Controllare che la freccia direzione di rotazione sia posizionata nello stesso verso di quella direzionale della lama. I denti della lama dovrebbero essere sempre rivolti verso il basso. Stringere la vite albero. Stringere la vite che tiene la copertura.

PREPARAZIONE AL TAGLIO

ATTENZIONE: NON TIRARE MAI la sega verso se stessi durante un taglio. La lama può improvvisamente risalire verso l'alto dal pezzo che state tagliando e potrebbe causarvi seri danni.

- Evitare operazioni maldestre e evitare di posizionare le mani in un posto sbagliato dove la lama, passando, potrebbe provocare danno.
- Tagliare solo un pezzo per volta.
- Eliminare tutto eccetto il pezzo da lavorare e il relativo supporto prima di girare la lama della sega verso l'alto.
- Assicurare il pezzo da lavorare con morsetti per garantire una maggiore sicurezza.

CREAZIONE DI UN TAGLIO INCLINATO

Ci sono due tipi di tagli inclinati che possono essere effettuati con la sega radiale.

Taglio a scorrimento radiale

Allentare la manopola di serraggio e avvicinare la lama verso l'operatore. Abbassare la lama sul pezzo da lavorare e poi spingere il retro della sega per completare il taglio. Si usa per tagliare pezzi larghi.

1. Mettere il legno contro la guida di appoggio e fissare con un morsetto adatto.
2. Allentare la manopola di taglio inclinato.
3. Stringere il manico della sega e tirare il carrello fino al mandrino (centro della lama della sega) sul lato anteriore del pezzo da lavorare.
4. Stringere la protezione più in basso per aprire e liberare il capo della sega.
5. Accendere la sega e far raggiungere la piena velocità.
6. Spingere il capo della sega rivolgendo la maniglia dell'attrezzo verso il basso e tagliare l'estremità del pezzo.
7. Spingere dolcemente il manico della sega verso la guida di appoggio per completare il taglio.
8. Tirare in dietro la sega dopo ogni taglio.
9. Rilasciare l'interruttore per spegnere la sega e permettere alla lama di fermarsi completamente prima di rimuovere manualmente il pezzo tagliato.

TAGLIO A TRONCATURA

La manopola di serraggio è stretta ed il manico della sega è rivolto verso il basso per tagliare il materiale. Questo tipo di taglio è usato principalmente per pezzi stretti.

1. Fare scivolare la testa di taglio verso il retro come per farlo azionare.
2. Serrare la manopola di bloccaggio scorrimento.
3. Mettere il pezzo da lavorare contro la guida di appoggio e fissare con un morsetto adatto.
4. Stringere l'impugnatura della sega.
5. Accendere la sega e far raggiungere la piena velocità.
6. Stringere la protezione più in basso per aprire e liberare la testa di taglio.
7. Spingere il manico della sega in giù e tagliare il materiale.
8. Dopo che si completa il taglio fare tornare indietro la sega, fare fermare completamente la lama.

ATTENZIONE: Per un uso migliore, la sega ha un freno per la lama. Non contare su di esso come sostituto ad un uso corretto e attento della sega.

POSIZIONE DEL CORPO E DELLE MANI

1. Non avvicinare mai le mani nell'area in cui si sta tagliando e tenere lontane le mani durante il taglio.
2. Tenere fermamente il pezzo da tagliare vicino alla guida di appoggio per prevenire un movimento verso la lama.
3. Prima di effettuare un taglio, fare scorrere la lama con l'attrezzo pento così da poter vedere il percorso della lama.
4. Tenere le mani sull'attrezzo finché il pulsante non è stato rilasciato e la lama si sia fermata completamente.

TAGLIO RADIALE (Fig. 5)

Si possono ottenere angoli di 45° destri o sinistri con un uso corretto di questo attrezzo.

1. Allentare la barra scorrevole che tiene la manopola, spingere di nuovo la maniglia della sega come per chiuderlo con la chiave.
2. Allentare la manopola radiale sull'angolo.
3. Tirare verso l'alto la leva per regolare l'angolazione.
4. Girare l'attrezzo per creare l'angolo desiderato che verrà indicato sul cursore angolare.
5. Stringere la manopola per il serraggio angolare per ottenere l'angolo desiderato.
6. Accendere la sega e far raggiungere la piena velocità prima di iniziare il taglio.

TAGLIO ANGOLARE (Fig. 6)

1. Chiudere la testa di taglio in giù con il pomolo della manopola bloccato.
2. Allentare la leva di bloccaggio.
3. Sistemare l'angolo fino a che l'ingranaggio arriva all'inclinazione desiderata.
4. Stringere la leva di bloccaggio.
5. Stare in piedi sul lato sinistro del manico della sega per effettuare il taglio.

TAGLIO COMBINATO

Quando è richiesto un angolo composto, selezionare la smussatura desiderata e posizionare la sega radiale.

Inceppamento del materiale da tagliare (Fig 10 & 11).

Prima di tagliare qualunque materiale, assicurarsi che non ci siano inceppamenti. Se è presente un inceppamento il materiale deve essere posizionato e tagliato come da illustrazioni seguenti. Non posizionare erroneamente il materiale da tagliare o non cercare di tagliare senza il supporto della guida di appoggio. Questo potrebbe far stringere il materiale sulla lama. Il materiale da tagliare potrebbe saltare improvvisamente o potrebbe muoversi e far sì che le mani colpiscano la lama.

MANUTENZIONE

IT

PULIZIA

Usare solo saponi neutri o panni umidi per pulire l'attrezzo. Non lasciare alcun liquido sull'attrezzo. Non immergere l'attrezzo in acqua.

Pulire regolarmente le ventole dell'attrezzo con aria compressa. **NON PULIRE CON OGGETTI APPUNTITI ALL'INTERNO DELLE FESSURE. LUBRIFICAZIONE.**

Tutte le parti di questo attrezzo sono lubrificate con una sufficiente quantità di lubrificante necessaria per tutta la vita dell'attrezzo in condizioni normali di funzionamento. Non è richiesta quindi un ulteriore lubrificazione.

GARANZIA 12 MESI

IT

PERIODO DI GARANZIA 12 MESI. EVOLUTION POWER TOOLS SI RISERVA IL DIRITTO DI EFFETTUARE MIGLIORAMENTI E MODIFICHE SENZA PREAVVISO.

Evolution Power Tools provvederà, nei dodici mesi di garanzia, a riparare o sostituire qualsiasi attrezzo risultato difettoso. Questa garanzia decade se l'attrezzo è stato usato per tagliare materiali diversi dalle istruzioni o se ci sia stato danneggiamento per incidenti, negligenze e uso improprio. Non si applica la garanzia ad attrezzi e componenti che siano stati alterati o sostituiti o sottoposti a uso oltre le capacità e specifiche raccomandate. I componenti elettrici sono oggetto della garanzia dei rispettivi produttori. Ogni attrezzo ritornato difettoso verrà inviato porto franco a Evolution Power Tools. E' discrezione di Evolution Power Tools di riparare oppure sostituire ogni attrezzo a proprio giudizio. Sono escluse da garanzia - scritta o verbale - le lame circolari. In nessun caso Evolution Power Tools può essere responsabile per eventuali perdite o danni provocati direttamente o indirettamente per l'uso o l'utilizzo o per qualsiasi altra causa. Evolution Power Tools non è responsabile per nessun costo o nessun danno diretto o indiretto. Nessun impiegato, agente o responsabile interno è autorizzato a dare verbalmente istruzioni diverse o a rinunciare ad alcuno dei termini precedenti e queste dichiarazioni, comunque, non saranno vincolanti per Evolution Power Tools. Qualsiasi domanda relativa a questa garanzia deve essere diretta alla sede centrale di Evolution Power Tools oppure indirizzata presso la sede Evolution Italia.

PT

Manual De Instruções

Ler instruções antes de utilizar esta ferramenta.



IMPORTANTE

PT

Por favor leia cuidadosa e completamente estas instruções de operação e segurança. Para sua própria segurança, antes de utilizar este equipamento certifique-se que a voltagem é a correcta e que todos os manipuladores e peças se encontram firmemente montados. Se estiver inseguro acerca de qualquer aspecto da utilização deste equipamento, por favor contacte a nossa Linha de Assistência Técnica.

Linha de Assistência Técnica GB 0870 609 2297
Linha de Assistência Técnica EUA 1-866-EVO-TOOL

Serra Deslizante RAGE3 Multiusos

Parabéns por ter adquirido uma Serra de Esquadria Deslizante RAGE3 da Evolution Power Tools. Por favor preencha e envie por e-mail o seu cartão de registo de produto. Ao efectuar o registo irá validar o período de garantia da sua máquina e assegurar uma assistência atempada, caso seja necessária. Agradecemos-lhe sinceramente por seleccionar um produto da Evolution Power Tools.

ATENÇÃO: INSTRUÇÕES IMPORTANTES DE SEGURANÇA

Para reduzir o risco de electrocussão, este equipamento vem equipado com um cabo de corrente e uma tomada adequados ao país de utilização. Não altere a tomada de qualquer forma.

REGRAS GERAIS DE SEGURANÇA

PT

AVISO: Para Sua Segurança. Leia o Manual de Instruções antes de Operar a Serra de Esquadria.

- 1. MANTENHA AS PROTECÇÕES MONTADAS** e em funcionamento
- 2. REMOVA CHAVES DE AJUSTE.** Crie o hábito de verificar se as chaves de ajuste foram retiradas da ferramenta antes de a ligar.
- 3. MANTENHA A ÁREA DE TRABALHO LIMPA.** Áreas e mesas de trabalho desarrumadas convidam aos acidentes.
- 4. NÃO UTILIZE EM AMBIENTES PERIGOSOS.** Não utilize ferramentas eléctricas em locais húmidos ou molhados, nem as exponha à chuva. Mantenha a área de trabalho bem iluminada.
- 5. MANTENHA AFASTADAS AS CRIANÇAS.** Todos os visitantes deverão ser mantidos a uma distância segura da área de trabalho.
- 6. NÃO FORCE AS FERRAMENTAS.** Estas irão funcionar melhor e de forma mais segura ao nível para o qual foram concebidas.

7. UTILIZE EXTENSÕES ADEQUADAS. Certifique-se que a extensão que está a usar se encontra em boas condições. Ao utilizar uma extensão, certifique-se que esta tem capacidade suficiente para a corrente que o seu produto irá utilizar. Um cabo demasiado pequeno irá causar uma redução de voltagem na linha causando perda de corrente e sobreaquecimento.

8. USE EQUIPAMENTO ADEQUADO. Não use roupas, luvas, gravatas, anéis, pulseiras ou outro tipo de joalharia largas que possam ficar presas nas peças móveis. Recomendamos o uso de calçado antiderrapante. Use uma protecção para conter o cabelo comprido.

9. USE SEMPRE ÓCULOS DE SEGURANÇA. Use também uma máscara para a cara ou de protecção contra o pó caso a operação de corte seja poeirenta. Os óculos de visão normal apenas têm lentes resistentes ao impacto, NÃO são óculos de segurança.

10. PRENDA BEM O TRABALHO. Use molas para segurar o trabalho sempre que for possível. É mais seguro do que utilizar as mãos e liberta ambas as mãos para operar a ferramenta.

11. NÃO SE DEBRUCE. Mantenha sempre os pés firmes no chão e um bom equilíbrio.

12. FAÇA UMA MANUTENÇÃO CUIDADOSA DAS FERRAMENTAS. Mantenha as ferramentas afiadas e limpas para um desempenho melhor e mais seguro. Siga as instruções de lubrificação e de troca de acessórios.

13. DESLIGUE AS FERRAMENTAS antes de as limpar e quando trocar os acessórios, como por exemplo as lâminas.

14. REDUZA O RISCO DE LIGAÇÃO IMPREVISTA. Certifique-se que o interruptor se encontra na posição de desligado antes de ligar a ferramenta à corrente.

15. USE ACESSÓRIOS RECOMENDADOS. Use apenas acessórios genuínos da Evolution.

16. NÃO PISE AS FERRAMENTAS. Podem ocorrer danos pessoais caso a ferramenta seja inclinada ou caso haja contacto propositado com a ferramenta de corte.

17. VERIFIQUE AS PEÇAS DANIFICADAS. Antes de continuar a utilizar a ferramenta, deverá verificar cuidadosamente qualquer protecção ou outra peça que esteja danificada de modo a determinar se irá funcionar correctamente e desempenhar a função a que se destina – verifique o alinhamento das peças móveis, o aperto das peças móveis, se as peças estão partidas, se a armação está partida ou quaisquer outras condições que possam afectar a sua operação. Caso uma protecção ou outra peça estejam danificadas esta deverá ser reparada correctamente ou substituída.

18. Mantenha as mãos afastadas da lâmina da serra.

19. Nunca passe o braço por cima da lâmina da serra.

20. Desligue a ferramenta e espere que a lâmina da serra pare antes de mudar a peça de trabalho ou de alterar o modo de operação.

21. Desligue a corrente antes de trocar a lâmina, de fazer a manutenção da serra e de a limpar.

22. De modo a reduzir o risco de danos pessoais, volte a colocar o carro na posição mais atrás após cada operação de corte transversal.

GUARDE ESTAS INSTRUÇÕES PARA REFERÊNCIA FUTURA INSTRUÇÕES ADICIONAIS DE SEGURANÇA

1. Esta serra, embora seja compacta, é também pesada. Para reduzir o risco de lesões nas costas, peça ajuda sempre que necessitar de levantar a serra.

2. Para reduzir o risco de lesões nas costas, segure na ferramenta mantendo-a junto ao seu corpo quando a levantar. Dobre os joelhos de modo a efectuar o levantamento com as pernas e não com as costas. Utilize as zonas de levantamento em cada lado da parte inferior da base.

3. Nunca pegue na serra de esquadria pelo cabo de corrente ou pelo manipulador de disparo do braço. Pegar na ferramenta pelo cabo de corrente poderá causar danos ao isolamento ou às ligações dos fios o que poderá resultar em electrocussão ou incêndio.

4. Antes de remover a serra da caixa aperte o manipulador de encerramento lateral para protecção contra movimentos bruscos.

5. Coloque a serra numa superfície de trabalho fixa e estável e verifique cuidadosamente a serra.

6. Aviso. Não olhe directamente para o feixe do laser. Olhar propositadamente para o laser acarreta perigos, por favor observe todas as regras de segurança que se seguem:

- O feixe do laser não deve ser apontado propositadamente aos trabalhadores e deverá evitar-se apontá-lo para os olhos de uma pessoa.
- Assegure-se sempre que o feixe do laser se encontra apontado para peças de trabalho sem superfícies reflectoras, ou seja, são aceitáveis.
- madeiras ou superfícies com revestimentos opacos.
- Não troque o conjunto da luz de laser por outro de um tipo diferente.

SPECIFICATIONS

PT

Modelo RAGE3

Motor (230v ~ 50/60 z)	1800W
RPM Sem Carga	2500 min ⁻¹
Ciclo de Funcionamento Máximo Recomendado	30 minutos
Nível De Pressão Acústica Sob Carga)	98dB (A)
Grau de Vibração Sob Carga)	1.98 m/s ²
Peso	19.6kg

Dimensões da Lâmina

Diâmetro Máximo	255mm
Diâmetro de Furo	25.4mm
Espessura	2mm

Capacidade Máxima de Corte			
Esquadria	Chanfro	Largura Máx. de Corte	Profundidade Máx. de Corte
90°	90°	320mm (12.59")	75mm (2.95")
45°L / 45°R	45°	210mm (8.26")	40mm (1.57")
45°L / 45°R	90°	210mm (8.26")	75mm (2.95")
90°	45°	320mm (12.59")	40mm (1.57")

Espessura Ótima de Corte (Placa de Aço Macio): 3mm

Equipamento Standard fornecido com a Unidade: 1 Multiblade, (MultiLâmina), 1 Chave de Caixa, 1 Instruções de Utilização.

ACESSÓRIOS ADICIONAIS

Para além dos acessórios normais que são fornecidos com esta máquina, encontram-se disponíveis outros acessórios destinados a melhorar o seu desempenho, inclusivamente os seguintes itens:

1. Sistema de Fixação – o design desta máquina permite a utilização de 1 mola superior ou 2 frontais (caso necessário), ambas se encontram disponíveis como acessórios. (Por Favor Note Que: são fornecidas 1 x Mola Superior, 1 x Mola Frontal com esta máquina).
2. Lâmina de Diamante – Converta esta máquina num "cortador de Azulejo". Ao substituir a lâmina standard TCT com a Lâmina de Diamante opcional, esta máquina torna-se num cortador de azulejo – adequado à maior parte dos mosaicos ou azulejos de cerâmica ou porcelana.

Podem obter-se acessórios adicionais contactando com o seu representante local (ou com a Evolution Power Tools).

MONTAGEM

PT

MONTAGEM DA SERRA DE ESQUADRIA

AVISO: De modo a reduzir o risco de danos pessoais devido a movimentos inesperados da serra, coloque a serra no local desejado sobre uma bancada de trabalho ou sobre outro conjunto de pernas recomendado. A base da serra tem 4 orifícios que servem para montar a serra de esquadria. Caso a serra deva ser utilizada numa só localização, fixe-a permanentemente à bancada ou ao conjunto de pernas.

1. Aperte as trancas do carro deslizante, da esquadria e do chanfro.
2. Posicione a serra de modo a que não seja possível outras pessoas passarem detrás da mesma. Os resíduos projectados podem causar danos pessoais caso atinjam alguém à sua passagem.
3. Coloque a serra sobre uma superfície firme e nivelada e num local onde haja bastante espaço para o manuseamento e apoio adequado da peça de trabalho.
4. Apoie a serra de modo a que a mesa se encontre nivelada e a serra não oscile.
5. Aparafuse ou fixe a serra ao seu suporte.

INSTALAÇÃO OU REMOÇÃO DA LÂMINA

AVISO: Utilize apenas lâminas genuínas da Evolution concebidas para esta máquina.

1. Assegure-se de que a cabeça de corte se encontra levantada.
2. Remova o mola de fixação da protecção. (Fig.1)
3. Prima o botão de fixação e levante a protecção inferior da lâmina. (Fig.2)
4. Prima o botão de fixação preto para trancar o eixo. (Fig.3)
5. Utilizando a chave fornecida, desaperte o parafuso do eixo para remover a lâmina. (Fig.4).
6. Instale a nova lâmina de 255 mm (10"). Certifique-se que a seta de direcção de rotação da lâmina corresponde à seta de rotação no sentido dos ponteiros do relógio que se encontra na protecção superior. Os dentes da serra deverão sempre apontar para baixo na parte da frente da serra.
7. Coloque a porca da lâmina e o parafuso do eixo.
8. Gire a chave de caixa de modo a fixar a lâmina.
9. Aperte o parafuso do eixo utilizando força moderada, mas não aperte demasiado.
10. Volte a colocar o mola de fixação da protecção. (Fig.1)
11. Assegure-se de que retirou a chave antes de operar a máquina.

BOLSA DE RECOLHA DE RESÍDUOS

A Bolsa de Recolha de Resíduos deve ser anexada ao porto de extracção de resíduos.

1. Faça deslizar o encaixe da bolsa de recolha até à saída do porto de extracção e assegure-se que está firmemente afixado.
2. Para libertar a bolsa, faça deslizar o encaixe na direcção oposta.

AVISO – Antes de cortar materiais metálicos, a bolsa de recolha TEM de ser esvaziada, removendo quaisquer resíduos, através do conveniente fecho lateral.

MONTAGEM DA PARAGEM REPETITIVA

1. Desaperte o parafuso de orelhas de modo a permitir a entrada dos braços do suporte da peça nos furos de paragem repetitiva.
2. Aperte firmemente os parafusos de orelha de modo a minimizar o movimento do suporte da peça de trabalho.
3. Anexe o suporte da peça de trabalho conforme detalhado seguidamente. **NOTA:** Ao desapertar os parafusos de orelha, poderá ajustar a paragem repetitiva às larguras necessárias em cada aplicação.

INSTALAÇÃO DO SUPORTE DA PEÇA DE TRABALHO (Fig.7)

1. Desaperte o parafuso de fixação do suporte localizado na placa rotativa.
2. Insira o suporte da peça de trabalho nos orifícios de fixação que se encontram na base.
3. Aperte o parafuso de fixação.

MONTAGEM DA MOLA SUPERIOR DE FIXAÇÃO DA PEÇA DE TRABALHO (Fig.8)

1. Fixe a mola ao orifício de fixação que melhor se adaptar à aplicação de corte, certificando-se que esta se encontra completamente inserida.
2. Aperte o parafuso de orelhas para trancar o pilar.
3. Coloque a peça de trabalho a ser cortada sobre a plataforma da serra.
4. Ajuste a mola de modo a prender fixamente a peça de trabalho.

MONTAGEM DA MOLA FRONTAL DE FIXAÇÃO DA PEÇA DETRABALHO (Fig.8a)

1. Fixe a mola ao orifício de fixação que melhor se adaptar à aplicação de corte.
2. Coloque a peça de trabalho a ser cortada sobre a plataforma da serra.
3. Ajuste a mola de modo a prender fixamente a peça de trabalho.

NOTA: Deverá utilizar-se uma combinação da mola superior e frontal para assegurar uma melhor fixação da peça de trabalho.

LIMITE DE PROFUNDIDADE (Fig. 9)

A utilização do limite de profundidade faz com que a lâmina não corte completamente através da peça de trabalho, mas sim consoante a profundidade para o qual é ajustado. Isto permite com que o operador corte ranhuras na peça de trabalho. **NOTA:** Aconselha-se que a profundidade de corte seja verificada num pedaço de madeira de refugio antes de se efectuar o corte na peça de trabalho. Se efectuar um corte numa peça de trabalho e, em seguida, movimentar a peça de trabalho para a esquerda ou para a direita antes de repetir, será possível efectuar o corte de ranhuras. Para utilizar o Limite de Profundidade siga os seguintes passos:

1. Desaperte a porca de orelhas.
2. Ajuste o botão manual até chegar à profundidade desejada.
3. Uma vez colocado na profundidade desejada, aperte a porca de orelhas contra o suporte de fixação para trancar o limite de profundidade e assegure-se de que não haverá movimento algum.

REMOÇÃO DE MATERIAL ENCRAVADO:

1. Desligue a serra de esquadria libertando o interruptor.
2. Aguarde até todas as partes móveis se encontrarem paradas.
3. Retire a ficha da serra de esquadria da tomada.
4. Remova o material encravado da unidade.

INSTRUÇÕES

PT

DESLIGUE A SERRA DE ESQUADRIA E INSPECCIONE A SUA SERRA ANTES DE CADA UTILIZAÇÃO.

AVISO: Para reduzir o risco de danos pessoais, retire sempre a ficha da serra da tomada antes de alterar ou ajustar qualquer coisa. Compare a direcção da seta de rotação da protecção com a seta de direcção da lâmina. Os dentes da serra deverão sempre apontar para baixo na parte da frente da serra. Aperte o parafuso do eixo. Aperte o parafuso da placa de cobertura.

PREPARAÇÃO PARA O CORTE

CUIDADO: NUNCA puxe a serra para si durante um corte. A lâmina pode subir repentinamente para cima da peça de trabalho e avançar na sua direcção.

- Evite operações atrapalhadas e posições das mãos em que um deslizamento repentino possa fazer com que os seus dedos ou as suas mãos se dirijam para a lâmina.
- Corte apenas uma peça de trabalho de cada vez.
- Antes de ligar a serra de esquadria, desimpeça a área de trabalho retirando tudo para longe da lâmina, excepto a peça de trabalho e os dispositivos de apoio relativos.
- Fixe a peça de trabalho utilizando molas para prender firmemente a peça de trabalho.

EXECUÇÃO DE CORTES DE DESLIZE COMUNS

Existem dois tipos de corte que se podem efectuar com o elemento de deslizamento da serra de esquadria.

Corte em Deslize

Desaperte o botão de fixação de deslizamento e movimente a cabeça de corte na direcção do operador. A lâmina da serra é inserida na peça de trabalho e depois empurrada para a parte traseira da serra para completar o corte. Utiliza-se para o corte de peças largas.

1. Coloque a madeira junto ao rebordo e prenda com a mola conforme adequado.
2. Desaperte o botão de fixação de deslizamento.
3. Agarre no manípulo da serra e puxe o carro até o eixo (centro da lâmina da serra) se encontrar na extremidade dianteira da peça de trabalho.
4. Carregue no manípulo de libertação da protecção inferior para libertar a cabeça da serra.
5. Ligue a serra e espere até esta alcançar a velocidade máxima.
6. Empurre o manípulo da serra até abaixo e corte através da bermagem de corte da peça de trabalho.
7. Empurre levemente o manípulo da serra na direcção do rebordo enquanto efectua o corte.
8. Assegure-se que a serra é empurrada completamente até ao fim em cada corte.

9. Liberte o interruptor para desligar a serra e espere até a lâmina parar completamente antes de mover as mãos ou remover a peça de trabalho.

CORTES CURTOSO

Botão de fixação de deslizamento encontra-se apertado e o manípulo da serra é empurrado para baixo para cortar a peça de trabalho. Este tipo de corte utiliza-se sobretudo.

1. Deslize a cabeça de corte para a traseira, até chegar ao fim.
2. Tranque o botão de fixação de deslizamento.
3. Coloque a madeira junto ao rebordo e prenda com a mola conforme adequado.
4. Agarre no manípulo da serra.
5. Ligue a serra e espere até esta alcançar a velocidade máxima.
6. Carregue no manípulo de libertação da protecção inferior para libertar a cabeça da serra.
7. Empurre o manípulo da serra até abaixo e corte a peça de trabalho.
8. Uma vez terminado o corte, desligue a serra e espere até a lâmina parar completamente.

AVISO: Para sua conveniência, a serra vem com um travão para a lâmina. Nunca utilize este travão em substituição das protecções da serra.

POSIÇÃO DO CORPO E DAS MÃOS

1. Nunca aproxime as mãos à área de corte e mantenha as mãos afastadas do percurso da lâmina.
2. Prenda firmemente a peça de trabalho ao rebordo de modo a evitar movimentos na direcção da lâmina.
3. Antes de efectuar um corte. Efectue um ensaio com a corrente desligada de modo a poder ver o percurso da lâmina.
4. Mantenha as mãos na posição em que se encontram até o interruptor ser desligado e a lâmina ter parado completamente.

CORTE EM ESQUADRIA (Fig. 5)

Pode obter-se um ângulo de até 45° para a esquerda ou para a direita utilizando esta unidade.

1. Desaperte o botão de fixação do carro deslizante, empurre o manípulo da serra o mais possível para trás e tranque o manípulo.
2. Desaperte o botão de fixação do ângulo em esquadria.
3. Puxe o manípulo de marcação de ângulo de esquadria.
4. Vire a unidade de mesa até o ângulo desejado ser indicado pelo ponteiro do ângulo de esquadria.
5. Aperte o botão de fixação do ângulo para manter o ângulo desejado.
6. Ligue a serra e permita que esta atinja a velocidade máxima antes de iniciar o corte.

CORTE EM CHANFRO (Fig. 6)

1. Utilizando o botão de fixação de corte, prenda a cabeça de corte.
2. Desaperte a tranca do chanfro.
3. Ajuste o ângulo até o ponteiro do ângulo de chanfro alcançar o ângulo de chanfro desejado.
4. Aperte a tranca do chanfro.
5. Posicione-se do lado esquerdo do manípulo para efectuar o corte.

CORTE COMPOSTO

Sempre que seja necessário um corte composto, selecione as posições desejadas de chanfro e esquadria.

CORTE DE MATERIAIS CURVADOS (Figs. 10 & 11)

Antes de cortar a peça de trabalho, verifique se esta se encontra curvada. Se estiver curvada, a peça de trabalho deverá ser posicionada e cortada conforme ilustrado. Não posicione a peça de trabalho incorrectamente ou tente cortar a peça de trabalho sem o apoio do rebordo. Isso poderia fazer com que a peça de trabalho ficasse presa à lâmina. A peça de trabalho poderia saltar repentinamente ou movimentar-se e a sua mão poderia embater na lâmina.

MANUTENÇÃO

PT

LIMPEZA

Utilize apenas um detergente suave e um pano húmido para a limpeza da ferramenta. Não permita que quaisquer líquidos se introduzam na ferramenta; nunca imirja qualquer parte da ferramenta dentro de líquidos.

Limpe regularmente os respiradores da ferramenta com ar comprimido. **NÃO TENHA TENTADO LIMPAR INSERINDO OBJECTOS AFIADOS ATRAVÉS DAS ABERTURAS.**

LUBRIFICAÇÃO

Todos os mecanismos desta ferramenta foram lubrificados com uma quantidade de lubrificante de qualidade superior suficiente para o tempo de vida da unidade sob condições normais de operação. Deste modo, não é necessária nenhuma lubrificação adicional.

GARANTIA DE 12 MESES

PT

GARANTIA LIMITADA DE 12 MESES. A EVOLUTION POWER TOOLS RESERVA-SE AO DIREITO DE EFECTUAR MELHORIAS E ALTERAÇÕES AO DESIGN SEM AVISO PRÉVIO.

A Evolution Power Tools, num espaço de doze (12) meses desde a data de compra original, irá efectuar a reparação ou substituição de quaisquer equipamentos que apresentem defeitos de materiais ou mão-de-obra. Esta garantia fica sem efeito caso a ferramenta a ser devolvida tenha sido usada para corte de materiais para além dos recomendados no Manual de Instruções ou caso a serra tenha sido danificada acidentalmente, por negligência ou através de uma manutenção inadequada. Esta garantia não se aplica a quaisquer máquinas e/ou componentes que tenham sido alterados, mudados ou modificados de qualquer forma, ou que tenham sido sujeitos a uma utilização para além das suas capacidades e especificações recomendadas. Os componentes eléctricos encontram-se sujeitos às garantias dos respectivos fabricantes. Todos os equipamentos a devolver com defeito deverão ser devolvidos com portes pagos à Evolution Power Tools. A Evolution Power Tools reserva-se ao direito de optar entre uma reparação ou uma substituição com equipamento igual ou equivalente. Não existe qualquer garantia – escrita ou verbal – para as lâminas da serra. A Evolution Power Ferramentas não pode em qualquer altura ser responsabilizada por perdas ou danos resultantes directa ou indirectamente da utilização, ou mercadoria ou por qualquer outra causa. A Evolution Power Tools não é responsável por quaisquer custos incorridos nesses equipamentos ou em danos consequenciais. Nenhum oficial, empregado ou agente da Evolution Power Tools se encontra autorizado a fazer representações verbais de aptidão ou a abdicar de quaisquer umas das condições de venda acima mencionadas, sendo que a Evolution Power Tools não ficará comprometida em cumprir com nenhuma delas.

Quaisquer perguntas relativas a esta garantia limitada deverão ser dirigidas à sede da empresa, ou deverá efectuar-se uma chamada para o número da Linha de Apoio adequada.

ES

Manual De Instrucciones

Lea las instrucciones antes de utilizar esta herramienta.



IMPORTANTE

ES

Por favor lea completa y detenidamente estas instrucciones de funcionamiento y de seguridad. Por su propia seguridad, antes de utilizar este equipamiento, compruebe que la tensión eléctrica es la adecuada y que todas las manivelas y piezas se encuentran firmemente aseguradas. Si no está seguro sobre cualquier aspecto relacionado con el uso de este equipamiento, por favor póngase en contacto con nuestra línea de asistencia técnica.

Línea de asistencia técnica en el Reino Unido
0870 609 2297

Línea de asistencia técnica en los EE.UU
1-866-EVO-TOOL

Sierra de ingletes multifunción deslizante RAGE3

Felicidades por la compra de su sierra de ingletes multifunción deslizante de la gama RAGE3 de Evolution Power Tools. Complete y envíe su tarjeta de registro del producto para dar validez al período de garantía de la maquinaria y asegurar un servicio inmediato en caso de necesidad. Le agradecemos sinceramente que haya elegido un producto de Evolution Power Tools.

PRECAUCIÓN: INSTRUCCIONES IMPORTANTES DE SEGURIDAD

Para reducir el riesgo de descarga eléctrica, este equipamiento ha sido fabricado con un cable y enchufe autorizados para su uso en un determinado país. Nunca modifique el enchufe.

NORMAS GENERALES DE SEGURIDAD

ES

ADVERTENCIA: Por su propia seguridad, lea el manual de instrucciones antes de poner en funcionamiento la sierra de ingletes.

- 1. MANTENGA LAS PROTECCIONES EN SU LUGAR** y en buen funcionamiento.
- 2. RETIRE LAS LLAVES DE MONTAJE Y DE AJUSTE.** Adquiera el hábito de comprobar que las llaves de montaje y de ajuste se encuentran fuera de la herramienta antes de encenderla.
- 3. MANTENGA LIMPIO EL LUGAR DE TRABAJO.** Una mesa y zona de trabajo abarrotadas invitan a los accidentes.
- 4. NO UTILICE EN AMBIENTES PELIGROSOS.** No utilice herramientas eléctricas en lugares húmedos o mojados, ni las exponga a la lluvia. Mantenga el lugar de trabajo bien iluminado.
- 5. MANTENGA ALEJADO DEL ALCANCE DE LOS NIÑOS.** Cualquier visitante debe guardar una distancia de seguridad con la zona de trabajo.

6. NO FUERCE LA MÁQUINA. Trabajará mejor y más segura al ritmo para el que fue diseñada.

7. UTILICE UNA ALARGADERA APROPIADA. Asegúrese de que la alargadera está en buen estado. Al utilizar una alargadera, cerciégase de que tiene la resistencia suficiente para transportar la corriente del producto. Un cable corto causará cortes de corriente resultando en la pérdida de energía y sobrecalentamiento.

8. UTILICE LA INDUMENTARIA APROPIADA. No lleve ropas holgadas, guantes, corbatas, anillos, pulseras u otras piezas de bisutería que pudiesen engancharse en partes en movimiento. Se recomienda utilizar calzado anti-deslizante. Utilice protección para el pelo si lo tiene largo.

9. UTILICE SIEMPRE GAFAS DE SEGURIDAD. Utilice también careta o máscara contra el polvo si el proceso de cortado emite residuos. Las gafas habituales sólo poseen lentes resistentes a impactos, NO son gafas de seguridad.

10. TRABAJE SEGURO. Utilice abrazaderas para sujetar la pieza de trabajo cuando resulte práctico. Será más seguro que utilizar la mano y tendrá las dos manos libres para operar la máquina.

11. NO INTENTE HACER DEMASIADO. Mantenga el balance apropiado y una posición firme en todo momento.

12. CUIDE LAS HERRAMIENTAS. Mantenga las herramientas afiladas y limpias para un rendimiento más seguro y óptimo. Siga las instrucciones sobre lubricación y cambio de accesorios.

13. DESCONECTE LAS HERRAMIENTAS antes de realizar tareas de mantenimiento y al cambiar accesorios, como hojas.

14. REDUZCA EL RIESGO DE INICIO INVOLUNTARIO. Asegúrese de que el interruptor se encuentra en posición de apagado antes de conectar la máquina.

15. UTILICE LOS ACCESORIOS RECOMENDADOS. Utilice sólo accesorios Evolution originales.

16. NUNCA SE COLOQUE SOBRE LA HERRAMIENTA. El operador podría sufrir lesiones graves si la herramienta se inclina o si la herramienta de corte se activa de manera no intencionada.

17. COMPRUEBE LAS PARTES DAÑADAS. Antes de volver a utilizar la herramienta, debe comprobar cuidadosamente las protecciones o cualquier otra pieza dañada para determinar si funcionará correctamente y si ofrecerá la función deseada; compruebe la alineación y la unión de las partes en movimiento, rotura de piezas, montaje y cualquier otra condición que pueda afectar su funcionamiento. Una protección u otra pieza que haya resultado dañada deben repararse o sustituirse oportunamente.

18. Mantenga las manos fuera del paso de la hoja de la sierra.

19. Nunca rodee la hoja de la sierra con los brazos.

20. Apague la herramienta y espere a que la hoja de la sierra se detenga antes de mover la pieza de trabajo o realizar cambios.

21. Desconecte el suministro eléctrico antes de cambiar, reparar o limpiar la hoja.

22. Para reducir el riesgo de lesión, ponga el carro en la posición más trasera después de cada operación de corte transversal.

GUARDE ESTAS INSTRUCCIONES PARA FUTURA REFERENCIA INSTRUCCIONES ADICIONALES DE SEGURIDAD

1. Aunque compacta, esta sierra es pesada. Para reducir el riesgo de lesiones de espalda, pida ayuda siempre que tenga que levantar la sierra.

2. Para reducir el riesgo de lesión de espalda, mantenga la herramienta cerca del cuerpo al levantarla. Doble las rodillas para levantar la máquina con las piernas, no con la espalda. Levántela utilizando las garraderas laterales en la parte inferior de la base.

3. Nunca transporte la sierra de ingletes tirando del cable del suministro eléctrico o de la empuñadura donde está el interruptor de inicio. Tirar de la herramienta utilizando el cable de suministro eléctrico podría causar daños en el aislamiento o en las conexiones eléctricas resultando en descarga eléctrica o incendio.

4. Antes de retirar la sierra del envase de cartón, apriete el tornillo lateral de bloqueo para protegerse de movimientos repentinos.

5. Coloque la sierra sobre una superficie de trabajo fija y segura y compruebe la sierra cuidadosamente.

6. Advertencia: No mire directamente al rayo láser. Puede existir riesgo de lesión si mira deliberadamente al haz de luz. Tenga en cuenta todas las normas de seguridad que se detallan a continuación.

- El rayo láser no debe dirigirse intencionadamente al personal y debe evitarse que se oriente directamente a los ojos de una persona.
- Asegúrese siempre que el rayo láser se dirija a la pieza de trabajo evitando superficies reflectantes; por ejemplo, se acepta madera o superficies con recubrimientos duros.
- No cambie el ensamblaje de la luz del láser por uno distinto.

ESPECIFICACIONES

ES

Modelo RAGE3

Motor (230v ~ 50/60 Hz)	1800vatios
RPM sin carga	2500 min ⁻¹
Ciclo de trabajo máximo recomendado	30minutos
Nivel de presión sonora (bajo carga)	98dB(A)
Nivel de vibración (bajo carga)	1.98m/s ²
Peso	19.6 kg

Dimensiones de la hoja

Diámetro máximo	255mm
Diámetro de agujero	25.4mm
Grosor	2mm

Capacidad máxima de corte			
Inglete	Bisel	Anchura máxima de corte	Profundidad máxima de corte
90°	90°	320mm (12.59")	75mm (2.95")
45°L / 45°R	45°	210mm (8.26")	40mm (1.57")
45°L / 45°R	90°	210mm (8.26")	75mm (2.95")
90°	45°	320mm (12.59")	40mm (1.57")

Grosor máximo de corte (placa de acero dulce): 3mm

Equipamiento estándar provisto con la unidad:

1 MultiBlade (multihoja), 1 llave de tubo y 1 manual con instrucciones de funcionamiento.

ACCESORIOS ADICIONALES

Además de los accesorios estándar suministrados con esta máquina, también están disponibles otros accesorios a fin de mejorar el rendimiento de la máquina; tales como:

1. Sistema de fijación: el diseño de esta máquina permite el uso de 1 abrazadera superior y/o 2 frontales (si lo desea). Éstas están disponibles como accesorios opcionales. (Téngase en cuenta que se suministra con esta máquina 1 abrazadera superior y 1 abrazadera frontal como accesorios estándar).

2. Hoja de diamante: convierta esta máquina en una "cortadora de baldosas". Al reemplazar la hoja TCT estándar con la hoja de diamante opcional, esta máquina se convierte en una cortadora de baldosas; ideal para la mayoría de baldosas cerámicas y de porcelana.

Para adquirir accesorios adicionales, póngase en contacto con su distribuidor más cercano (o Evolution Power Tools).

ENSAMBLAJE

ES

MONTAJE DE LA SIERRA DE INGLETES

ADVERTENCIA: Para reducir el riesgo de lesión en un movimiento inesperado de la sierra, coloque la sierra en el lugar deseado sobre la mesa de trabajo u otra estructura de patas recomendada. La base de la sierra tiene cuatro orificios para montar la sierra de ingletes. Si la sierra va a utilizarse en un único lugar, ajústela permanentemente a la mesa de trabajo o a la estructura de patas.

1. Apriete los seguros del riel deslizante, del bisel y del inglete.
2. Coloque la sierra de modo que nadie pueda colocarse detrás de ella. Los desechos que se desprendan podrían lesionar a alguien a su paso.
3. Coloque la sierra sobre una superficie firme y nivelada donde haya mucho espacio para manejar y apoyar correctamente la pieza de trabajo.
4. Apoye la sierra de modo que la mesa de trabajo esté nivelada y la sierra no se balancee.
5. Apriete con tornillos o abrazaderas la sierra a su soporte.

INSTALACIÓN O RETIRO DE LA HOJA

ADVERTENCIA: Utilice sólo hojas Evolution originales diseñadas para esta máquina.

1. Asegúrese de que el cabezal de corte está orientado hacia arriba.
2. Retire el sujetador de retención de la protección. (Fig. 1)
3. Presione el botón de bloqueo de seguridad hacia dentro y levante la protección inferior de la hoja. (Fig. 2)
4. Presione el botón de bloqueo trasero para bloquear el eje. (Fig. 3)
5. Utilice la llave provista, afloje el tornillo del eje para retirar la hoja. (Fig. 4)
6. Instale la hoja nueva de 255mm (10"). Asegúrese de que la flecha de rotación sobre la hoja coincide con la flecha en dirección de las agujas del reloj sobre la protección superior. Los dientes de la hoja deben apuntar hacia abajo, en la parte delantera de la sierra.
7. Instale la arandela de la hoja y el tornillo del eje.
8. Gire la llave de tubo para asegurar la hoja.
9. Apriete el tornillo del eje ejerciendo una fuerza moderada, pero sin apretar en exceso.
10. Sustituya el sujetador de retención de la protección. (Fig. 1)
11. Asegúrese de retirar la llave antes de poner en funcionamiento la máquina.

COLECTOR DE DESECHOS

El colector de desechos debe instalarse en el puerto de extracción de desechos.

1. Deslice el marco del colector sobre la salida del puerto de extracción, asegurándose de que esté bien conectado.
2. Para retirar el colector, deslice el marco en dirección contraria.

ADVERTENCIA: Antes de cortar materiales de metal, DEBE vaciar el colector de desechos utilizando la cremallera lateral pertinente.

AJUSTE DEL TOPE DE REPETICIÓN

1. Afloje el tornillo de apriete manual para permitir que los brazos de la pieza de trabajo descansen sobre los orificios en los topes de repetición.
2. Apriete los tornillos de apriete manual con firmeza para minimizar el movimiento sobre el soporte de la pieza de trabajo.
3. Sujete el soporte de la pieza de trabajo como se detalla a continuación.

NOTA: Al aflojar los tornillos de apriete manual, el tope de repetición puede ajustarse a la anchura necesaria para cada aplicación.

AJUSTE DEL SOPORTE DE LA PIEZA DE TRABAJO (Fig. 7)

1. Afloje el tornillo de sujeción del soporte que se encuentra en la plataforma giratoria.
2. Inserte el soporte de la pieza de trabajo en los orificios de sujeción de la base.
3. Apriete el tornillo de sujeción.

AJUSTE DE LA ABRAZADERA SUPERIOR DE LA PIEZA DE TRABAJO (Fig. 8)

1. Fije la abrazadera al orificio de sujeción que se ajuste mejor a la aplicación de corte, asegurándose de que está completamente insertada.
2. Apriete el tornillo de apriete manual para bloquear el pilar.
3. Coloque la pieza de trabajo que va a cortar sobre la cama de la sierra.
4. Ajuste la abrazadera de modo que sujete la pieza de trabajo con seguridad.

AJUSTE DE LA ABRAZADERA FRONTAL DE LA PIEZA DE TRABAJO (Fig. 8a)

1. Fije la abrazadera al orificio de sujeción que se ajuste mejor a la aplicación de corte.
2. Coloque la pieza de trabajo que va a cortar sobre la cama de la sierra.
3. Ajuste la abrazadera de modo que sujete la pieza de trabajo con seguridad.

NOTA: Debe utilizarse una combinación de abrazaderas superiores y frontales que sujete mejor la pieza de trabajo.

TOPE DE PROFUNDIDAD (Fig. 9)

La opción de tope de profundidad hace que la hoja no corte completamente a través de la pieza de trabajo dependiendo de la profundidad que haya seleccionado. Esta opción permite al operador cortar ranuras en la pieza de trabajo. **NOTA:** Se recomienda comprobar la profundidad de corte utilizando un trocito de madera antes de trabajar la pieza de trabajo. Al realizar un corte en la pieza de trabajo y después mover ligeramente hacia la izquierda o derecha antes de repetir, es posible aserrar ranuras en la pieza de trabajo.

Para utilizar la opción de tope de profundidad siga estos pasos:

1. Afloje la tuerca de mariposa.
2. Ajuste el tornillo de apriete manual a la profundidad deseada.
3. Una vez introducida la profundidad deseada, apriete la tuerca de mariposa contra la abrazadera de sujeción para fijar el tope de profundidad y asegurarse de que no se produce ningún movimiento.

LIBERACIÓN DEL MATERIAL ATASCADO

1. APAGUE la sierra de ingletes soltando el interruptor de inicio.
2. Espere a que las partes en movimiento se detengan.
3. Desenchufe la sierra de ingletes.
4. Retire el material atascado de la unidad.

INSTRUCCIONES DE FUNCIONAMIENTO

ES

DESCONECTE LA SIERRA DE INGLETES E INSPECCIONELA ANTES DE CADA USO.

ADVERTENCIA: Para reducir el riesgo de lesión, desconecte siempre la sierra antes de cambiar o ajustar algo. Compare la dirección de la flecha de rotación sobre la protección con la flecha de dirección de la hoja. Los dientes de la hoja deben apuntar siempre hacia abajo, en la parte delantera de la sierra. Apriete el tornillo del eje. Apriete el tornillo de la placa de la tapa.

PREPARACIÓN PARA REALIZAR EL CORTE

PRECAUCIÓN: NUNCA empuje la sierra hacia usted durante un corte. La hoja puede subirse repentinamente sobre la pieza de trabajo y precipitarse contra usted.

- Evite operaciones difíciles y las posiciones de mano en las que un error repentino pudiera provocar que los dedos o las manos toquen la hoja.
- Corte sólo una pieza de trabajo cada vez.
- Retire de la hoja cualquier objeto excepto la pieza de trabajo y los dispositivos de apoyo relacionados antes de encender la sierra de ingletes.
- Asegure firmemente la pieza de trabajo utilizando las abrazaderas.

CORTES COMPUESTOS COMUNES POR DESLIZAMIENTO

Hay dos tipos de cortes que pueden realizarse con la sierra de inglete compuesto deslizante. Corte por deslizamiento Afloje el tornillo de bloqueo lateral y mueva el cabezal de corte hacia el operador. La hoja de la sierra desciende sobre la pieza de trabajo y después presiona la parte trasera de la sierra para completar el corte. Utilizado para cortar piezas anchas.

1. Ponga madera contra la guía y asegure con abrazaderas de un modo apropiado.
2. Afloje el tornillo de bloqueo deslizante.
3. Agarre la manivela de la sierra y empuje el carro hasta que el eje (centro de la hoja de la sierra) se pose sobre el extremo delantero de la pieza de trabajo.
4. Presione la palanca de desbloqueo de la protección inferior para liberar el cabezal de la sierra.
5. Encienda la sierra y permita que alcance la velocidad máxima.
6. Empuje la manivela de la sierra hacia abajo totalmente y corte a través del extremo principal de la pieza de trabajo.
7. Empuje suavemente la manivela de la sierra hacia el tope completando el corte.
8. Empuje el cabezal de tracción a la posición más trasera posible después de cada corte.
9. Suelte el interruptor de inicio para apagar la sierra y deje que la hoja se detenga completamente antes de mover las manos o retirar la pieza de trabajo.

CORTE DE PIEZAS PEQUEÑAS

Apriete el tornillo de bloqueo deslizante y presione la manivela de la sierra hacia abajo para cortar a través de la pieza de trabajo. Este tipo de corte se utiliza principalmente para piezas estrechas.

1. Deslice el cabezal de corte completamente hacia la parte trasera.
2. Bloquee el tornillo de bloqueo deslizante.
3. Coloque la pieza de trabajo sobre la mesa y contra la guía y asegúrelo con abrazaderas según resulte oportuno.
4. Agarre la manivela de la sierra.
5. Encienda la sierra y permita que alcance la velocidad máxima.
6. Presione la palanca de desbloqueo de la protección inferior para liberar el cabezal de la sierra.
7. Presione la manivela de la sierra hacia abajo y corte la pieza de trabajo.
8. Después de completar el corte, apague la sierra y permita que la hoja se detenga completamente.

ADVERTENCIA: Para su comodidad, la sierra tiene un freno de hoja. Nunca confíe en él para sustituir el uso adecuado de la protección de la sierra.

POSICIÓN DEL CUERPO Y DE LAS MANOS

1. Nunca coloque las manos junto a la zona de corte y mantenga las manos alejadas del paso de la hoja.
2. Sujete firmemente la pieza de corte contra la guía para evitar el movimiento hacia la hoja.
3. Antes de realizar un corte. Realice un movimiento seco con la máquina apagada de modo que pueda ver el paso de la hoja.
4. Mantenga las manos en posición hasta que haya soltado el interruptor de inicio y se haya detenido completamente la hoja.

CORTE DEL INGLETE (Fig. 5)

Puede obtenerse un ángulo de hasta 45° hacia la izquierda o derecha utilizando la unidad.

1. Afloje el tornillo de bloqueo del riel deslizante, empuje la manivela de la sierra hacia atrás hasta su punto máximo y bloquee la manivela.
2. Afloje el tornillo de bloqueo del ángulo del inglete.
3. Tire hacia arriba de la palanca de configuración del ángulo del inglete.
4. Gire la unidad de la mesa al ángulo deseado según indica el puntero de ángulo del inglete.
5. Apriete el tornillo de bloqueo del ángulo para fijar el ángulo deseado.
6. Encienda la sierra y permita que alcance la velocidad máxima antes de comenzar a cortar.

CORTE DEL BISEL (Fig. 6)

1. Bloquee el cabezal de corte con el tornillo de bloqueo de corte.
2. Afloje el bloqueo del bisel.
3. Ajuste el ángulo hasta que el puntero del ángulo del bisel alcance el ángulo del bisel deseado.
4. Apriete el bloqueo del bisel.
5. Permanezca en el lado izquierdo de la manivela para realizar el corte.

CORTE COMPUESTO

Cuando se requiere un corte compuesto, seleccione el bisel y las posiciones del inglete deseados.

MATERIAL DE CORTE ARQUEADO (Fig. 10 y 11)

Antes de cortar una pieza de trabajo, asegúrese de que no está arqueada. Si lo estuviese, la pieza de trabajo debe colocarse y cortarse como muestra la figura. No coloque la pieza de trabajo de forma incorrecta o intente cortar la pieza de trabajo sin el apoyo sobre la guía. Esto causará pellizcos de la pieza de trabajo sobre la hoja. La pieza de trabajo podría saltar o escaparse repentinamente y su mano podría entrar en contacto con la hoja.

MANTENIMIENTO

ES

LIMPIEZA

Utilice sólo jabón suave y un paño húmedo para limpiar la herramienta. Nunca deje ningún líquido dentro de la herramienta; nunca sumerja ninguna parte de la herramienta en un líquido.

Limpie regularmente las rejillas de ventilación de la herramienta con aire comprimido seco. **NO INTENTE LIMPIAR INSERTANDO OBJETOS PUNTIAGUDOS A TRAVÉS DE LAS APERTURAS.**

LUBRICACIÓN

Todos los cojinetes de esta herramienta están lubricados con una cantidad suficiente de lubricante de alta calidad durante la vida de la unidad bajo condiciones normales de trabajo. Por tanto, no requiere más lubricación.

GARANTÍA DE 12 MESES

ES

GARANTÍA LIMITADA DE 12 MESES. EVOLUTION POWER TOOLS SE RESERVA EL DERECHO A REALIZAR MEJORAS Y MODIFICACIONES EN EL DISEÑO SIN PREVIO AVISO.

Evolution Power Tools reparará o sustituirá, dentro de los doce (12) meses a partir de la fecha original de compra, cualquier artículo en el que se encuentre algún defecto en el material o en la fabricación. Esta garantía será nula si la herramienta que va a devolver ha sido utilizada para cortar materiales fuera de las recomendaciones en el manual de instrucciones o si la sierra ha sufrido algún daño por accidente, negligencia o uso inadecuado. Esta garantía no se aplica a la maquinaria y/o componentes que ha sufrido alteración, cambio o modificación de alguna forma o esté sujeto al uso fuera de las capacidades y especificaciones recomendadas. Los componentes eléctricos están sujetos a las respectivas garantías de los fabricantes. Todos los artículos devueltos por defectuosos se devolverán con transporte pagado por adelantado a Evolution Power Tools. Evolution Power Tools se reserva el derecho a reparar o sustituir opcionalmente por un artículo igual o equivalente. No existe garantía, escrita o verbal, sobre las hojas de la sierra. En ningún caso Evolution Power Tools será responsable por la pérdida o daño resultante directa o indirectamente del uso o comercialización o de cualquier otra causa. Evolution Power Tools no será responsable por ningún coste incurrido sobre estos artículos o daños consecuenciales. Ningún representante, empleado o agente de Evolution Power Tools está autorizado a realizar representaciones orales de idoneidad o a renunciar a cualquiera de los términos anteriores de la venta y ninguno será vinculante a Evolution Power Tools.

Las preguntas relacionadas con esta garantía limitada deberían dirigirse a la sede principal de la empresa o llame al número de asistencia adecuado.