

evolution[®]
www.evolutionpowertools.com

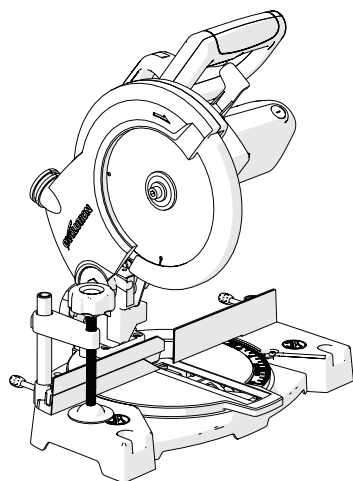
RAGE3B[®]

210mm (8-1/4")
TCT Multipurpose
Compound Mitre Saw

Original Instruction Manual

Read instructions before operating this tool

RAGE3B2102 / RAGE3B2102EU / RAGE3B2101



VERS 1 REV 0 - 03.12

EVOLUTION BUILD®

SPECIFICATIONS		RAGE
Designed to cut:		
Mild Steel Plate – Max Thickness (mm)	6	
Mild Steel Box Section – Max Wall Thickness (mm)	3	
Wood – Max section (mm)	50 x 120	
Motor (230V ~ or 110V ~ 50/60 Hz) (Watts)	1100w (230v) 1600w (110v)	
RPM No Load (min-1)	4000	
Recommended Maximum Duty Cycle (Minutes)	30	
Blade Dimensions		
Diameter (mm)	210	
Bore Diameter (mm)	25.4	
Number of Teeth	24	
Max Speed RPM (min-1)	4000	
Thickness (mm)	1.7	
Weight (kg)	6.1	
Laser		
Laser Class	Class II	
Laser source	Laser Diode	
Laser Power (max Mw)	1.5	
Wave Length (nm)	635 - 670	
Noise and Vibration Data		
Sound Pressure L _p A	92dB(A) K=3dB(A)	
Sound Power Level L _w A	105dB(A) K=3dB(A)	
Vibration Level	2.694m/s ² K=1.5m/s ²	

MAXIMUM CUTTING CAPACITY			
Mitre (degrees)	Bevel (degrees)	Max Width of Cut (mm)	Max Depth of Cut (mm)
0	0	120	50
45L / 45R	45	80	30
45L / 45R	0	80	50
0	45	120	30

GB

Instruction Manual

Read instructions before operating this tool.

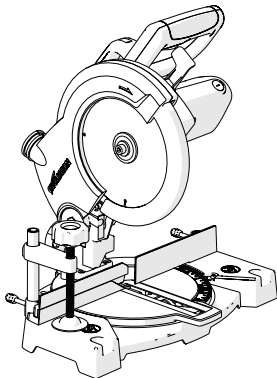


TABLE OF CONTENTS	PAGE
Introduction	4
Guarantee	4
Vibration	5
Explanation of Labels and Symbols	5
Intended use of this Power Tool	5 - 6
Prohibited use of this Power Tool	6

SAFETY PRECAUTIONS

Electrical Safety	6
General Power Tool Safety Instructions	6 - 7
Specific Safety Instructions	8
Personal Protective Equipment (PPE)	9

GETTING STARTED

Unpacking	10
Machine Overview	12
Assembly and Preparation	13 - 17
Operating Instructions	18 - 27

MAINTENANCE

Environmental Protection	24
Service Parts Diagram	26

DECLARATION of CONFORMITY **27**

INTRODUCTION

Congratulations on your purchase of an Evolution Power Tools machine. This product has been manufactured to the highest standard and has passed through our extensive quality assurance process. Every care has been taken to ensure that it reaches you in perfect condition. However, in the unlikely event that you should experience a problem, or if we can offer any assistance or advice please do not hesitate to contact our Technical Helpline.

To obtain an additional copy of your Manual, please contact Evolution Power Tools at:

Technical Helpline UK 0870 609 2297
WEB www.evolutionpowertools.com

12 MONTH LIMITED GUARANTEE

This product is guaranteed for a period of ONE (1) YEAR which commences on the date of purchase, and applies to the ORIGINAL PURCHASER ONLY. This guarantee only applies to defects arising from defective materials and / or faulty workmanship that becomes evident during the guarantee period, and does not include consumable items.

Evolution Power Tools will, at its discretion, repair or replace the product subject to the following conditions:

- That the product has only been used in accordance with the guidelines as detailed in the original product manual.
- That the product has not been subjected to misuse, abuse or used for a purpose for which it was not intended.
- That the product has not been taken apart or tampered with in any way whatsoever.
- That the product has only been serviced by authorised persons.
- That the product has not been used for hire purposes.

Transit damage is excluded from this guarantee. For any such damage, the transport company is responsible.

Claims made under this guarantee must be made directly to **Evolution Power Tools** within the guarantee period. All defective goods shall be returned/ collected at **Evolution Power Tools** cost. The product must be adequately packed (to prevent transit damage), and returned to Evolution Power Tools accompanied by a brief description of the fault and a copy of the receipt or other proof of purchase. Evolution Power Tools reserve the right to optionally repair or replace the product with the same or an equivalent product.

EVOLUTION POWER TOOLS SHALL NOT BE LIABLE FOR ANY SPECIAL, EXEMPLARY, DIRECT, INDIRECT, INCIDENTAL, OR CONSEQUENTIAL LOSS OR DAMAGE UNDER THIS GUARANTEE. NO OFFICER, EMPLOYEE OR AGENT OF **EVOLUTION POWER TOOLS** IS AUTHORISED TO MAKE ANY ORAL REPRESENTATIONS OF FITNESS FOR PURPOSE OR TO WAIVE ANY OF THE FOREGOING TERMS OF SALE AND NONE SHALL BE BINDING ON **EVOLUTION POWER TOOLS**.

Questions relating to this limited guarantee should be addressed to the company's head office or call the appropriate Helpline number.

This guarantee is in addition to and does not affect any rights, which the consumer may have by virtue of the Sale of Goods Act of 1979. This Act was updated and amended by the Sale and Supply of Goods Act of 1994.

Evolution Power Tools reserves the right to make improvements and modifications to the design and technical specification of this product without prior notification.

VIBRATION

WARNING: When using this machine the operator can be exposed to high levels of vibration transmitted to the hand and arm. It is possible that the operator could develop “Vibration white finger disease” (Raynaud syndrome). This condition can reduce the sensitivity of the hand to temperature as well as producing general numbness. Prolonged or regular uses of mitre saws should monitor the condition of their hands and fingers closely. If any of the symptoms become evident, seek immediate medical advice.

a) The actual vibration level during use will depend on the workpiece stability/rigidity and the condition of the cutter being used. These factors may increase the vibration experienced by the operator. Each individual application of the tool should be assessed for the effect of these application variable factors, before exposure.

b) The measurement and assessment of human exposure to hand-transmitted vibration in the workplace is given in:
BS EN ISO 5349-1:2001 and
BS EN ISO 5349-2:2002

c) The following factors can influence the level of vibration. Reducing these factors will help to reduce the effects of vibration:

Handling:

Pressing effort.

Hand gripping force depending on the working direction.

Adjustment of the energy supply (avoidance of excessive energy).

Workpiece

Workpiece material (density, strength).

Stability.



Rigidity.

Security.

SAFETY LABELS & SYMBOLS

WARNING: Do not operate this machine if warning and/or instruction labels are missing or damaged. Contact Evolution Power Tools for replacement labels.

NOTE: All or some of the following symbols may appear in the manual or on the product.

Symbol	Description
V	Volts
A	Amperes
Hz	Hertz
Min ⁻¹	Speed
~	Alternating Current
n ₀	No Load Speed
	Wear Safety Goggles
	Wear Ear Protection
	Do Not Touch, Keep hands away
	Wear Dust Protection
	Restriction of Hazardous Substances Directive
	CE certification
	Waste electrical and electronic equipment
	Read Manual
	WARNING
	Laser Warning

INTENDED USE OF THIS POWER TOOL

WARNING: This product is a Multipurpose Compound Mitre Saw & has been designed to be used with special **Evolution** Multipurpose blades. Only use blades designed for use in this machine and/or those recommended specifically by **Evolution Power Tools Ltd.**

When fitted with a correct blade this machine can be used to cut:

Wood, Wood derived products (MDF, Chipboard, Plywood, Blockboard, Hardboard etc), Aluminium, Mild Steel

NOTE: Wood containing non galvanised nails or screws can, with care, be safely cut.

⚠️ PROHIBITED USE OF THIS POWER TOOL

WARNING: This product is a Multipurpose Sliding Mitre Saw and must only be used as such. It must not be modified in any way, or used to power any other equipment or drive any other accessories other than those mentioned in this Instruction Manual.

⚠️ WARNING: This product is not intended for use by persons (including children) with reduced physical, sensory or mental capabilities, or lack of experience and knowledge, unless they have been given supervision or instruction concerning the safe use of the product by a person responsible for their safety and who is competent in its safe use.

ELECTRICAL DATA FOR EU COUNTRIES

IMPORTANT

This product is fitted with an electrical connection plug that is compatible with the machine and, the mains supply for your Country and meets the requirements of international standards. This machine must be connected to a supply voltage that is equal to that stated on the rating label. If the mains connection plug or mains supply lead becomes damaged it must be replaced with a complete assembly that is identical to the original. If in doubt always consult a qualified electrician.

ELECTRICAL SAFETY

CONNECTION OF THE DOUBLE INSULATED MAINS PLUG- UK ONLY

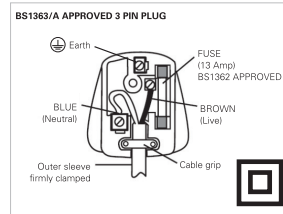
IMPORTANT: The wires in the mains lead fitted to this product are coloured in accordance with the following code:

Brown: Live (L) or Red

Blue: Neutral (N) or Black

THIS PRODUCT IS DOUBLE INSULATED AND THEREFORE DOES NOT REQUIRE A CONNECTION TO EARTH.

- **THE 3 PIN PLUG MUST COMPLY TO BS1363/A.**
- **THE FUSE MUST COMPLY TO BS1362.**



If for any reason the 13 amp moulded plug fitted to this product requires replacing, the replacement must be wired in accordance with the following instructions:

- **Connect the Blue wire to the terminal marked Neutral (N).**
- **Connect the Brown wire to the terminal marked Live (L).**

Ensure that the outer insulation is gripped by the cord grip and that the wires are not trapped when replacing the plug cover.

A 13 amp (BS1362) fuse must be fitted in the plug. Do not connect any wire to the earth pin MARKED E ⚡ on the 3 pin plug.

If in any doubt consult a qualified electrician.

There are no user serviceable parts inside this product except those referred to in the manual. Always refer servicing to qualified service personnel. Never remove any part of the casing unless qualified to do so; this unit contains dangerous voltages.

⚠️ OUTDOOR USE

WARNING: For your protection if this tool is to be used outdoors it should not be exposed to rain, or used in damp locations. Do not place the tool on damp surfaces. Use a clean, dry workbench if available. For added protection use a residual current device (R.C.D.) that will interrupt the supply if the leakage current to

earth exceeds 30mA for 30ms. Always check the operation of the residual current device (R.C.D.) before using the machine. If an extension cable is required it must be a suitable type for use outdoors and so labelled. The manufacturers instructions should be followed when using an extension cable.

POWER TOOL GENERAL SAFETY INSTRUCTIONS

(These General Power Tool Safety Instructions are as specified in BS EN 60745-1:2009 & EN 61029-1:2009)

⚠ WARNING: Read all safety warnings and instructions. Failure to follow the warnings and instructions may result in electric shock, fire and/ or serious injury.

Save all warnings and instructions for future reference.

The term “**power tool**” in the warnings refers to your mains-operated (corded) power tool or battery-operated (cordless) power tool.

1) General Power Tool Safety Warnings [Work area safety]

- **Keep work area clean and well lit.** Cluttered or dark areas invite accidents.
- **Do not operate power tools in explosive atmospheres, such as in the presence of flammable liquids, gasses or dust.** Power tools create sparks which may ignite the dust or fumes.
- **Keep children and bystanders away while operating power tool.** Distractions can cause you to lose control.

2) General Power Tool Safety Warnings [Electrical Safety]

- **Power tool plugs must match the outlet. Never modify the plug in any way. Do not use any adapter plugs with earthed (grounded) power tools.** Unmodified plugs and matching outlets will reduce the risk of electric shock.
- **Avoid body contact with earthed or grounded surfaces, such as pipes, radiators, ranges and refrigerators.** There is an increased risk of electric shock if your body is earthed or grounded.

- **Do not expose power tools to rain or wet conditions.** Water entering a power tool will increase the risk of electric shock.
- **Do not abuse the cord. Never use the cord for carrying, pulling or unplugging the power tool. Keep cord away from heat, oil, sharp edges or moving parts.** Damaged or entangled cords increase the risk of electric shock.
- **When operating a power tool outdoors, use an extension cord suitable for outdoor use.** Use of a cord suitable for outdoor use reduces the risk of electric shock.
- **If operating a power tool in a damp location is unavoidable, use a residual current device (RCD) protected supply.** Use of an RCD reduces the risk of electric shock.

3) General Power Tool Safety Warnings [Personal Safety].

- **Stay alert, watch what you are doing and use common sense when operating a power tool. Do not use a power tool while you are tired or under the influence of drugs, alcohol or medication.** A moment of inattention while operating power tools may result in serious personal injury.
- **Use personal protective equipment. Always wear eye protection.** Protective equipment such as dust masks, non-skid safety shoes, hard hat or hearing protection used for appropriate conditions will reduce personal injuries.
- **Prevent unintentional starting. Ensure the switch is in the off-position before connecting to power source and or battery pack, picking up or carrying the tool.** Carrying power tools with your finger on the switch or energising the power tools that have the switch on invites accidents.
- **Remove any adjusting key or wrench before turning the power tool on.** A wrench or key left attached to a rotating part of a power tool may result in personal injury .

- **Do not overreach. Keep proper footing and balance at all times.** This enables better control of the power tool in unexpected situations.
- **Dress properly. Do not wear loose clothing or jewellery. Keep your hair, clothing and gloves away from moving parts.** Loose clothes, jewellery or long hair can be caught in moving parts.
- **If devices are provided for the connection of dust extraction and collection facilities, ensure that these are connected and properly used.** Use of dust collection can reduce dust-related hazards.

4) General Power Tool Safety Warnings [Power tool use and care].

- **Do not force the power tool. Use the correct power tool for your application.** The correct power tool will do the job better and safer at a rate for which it was designed.
- **Do not use the power tool if the switch does not turn it on or off.** Any power tool that cannot be controlled with the switch is dangerous and must be repaired.
- **Disconnect the power tool from the power source and/or battery pack from the power tool before making any adjustments, changing accessories, or storing power tools.** Such preventative safety measures reduce the risk of starting the power tool accidentally.
- **Store idle power tools out of the reach of children and do not allow persons unfamiliar with the power tool or these Instructions to operate the power tool.** Power tools are dangerous in the hands of untrained users.
- **Maintain power tools. Check for misalignment or binding of moving parts, breakage of moving parts and any other condition that may affect the power tools operation. If damaged, have the power tool repaired before use.** Many accidents are caused by poorly maintained power tools.
- **Keep cutting tools sharp and clean.** Properly maintained cutting tools with

sharp cutting edges are less likely to bind and are easier to control.

- **Use the power tool, accessories and tool bits etc. in accordance with these instructions, taking into account the working conditions and the work to be performed.** Use of the power tool for operations different from those intended could result in a hazardous situation.

5) General Power Tool Safety Warnings [Service]

- **Have your power tool serviced by a qualified repair person using only identical replacement parts.** This will ensure that the safety of the power tool is maintained.

HEALTH ADVICE

⚠️ WARNING: If you suspect that paint on surfaces in your home contains lead seek professional advice. Lead based paints should only be removed by a professional and you should not attempt to remove it yourself. Once the dust has been deposited on surfaces, hand to mouth contact can result in the ingestion of lead. Exposure to even low levels of lead can cause irreversible brain and nervous system damage. The young and unborn children are particularly vulnerable.

⚠️ WARNING: Some wood and wood type products, especially MDF (Medium Density Fibreboard), can produce dust that may be hazardous to your health. We recommend the use of an approved face mask with replaceable filters when using this machine, in addition to using the dust extraction facility.

MITRE SAW SPECIFIC SAFETY

The following specific safety instructions for Mitre Saws are based on the requirements of EN61029-2-9:2009.

BLADE SAFETY

⚠️ WARNING: Rotating Circular Saw Blades are extremely dangerous and can cause serious injury and amputation. Always keep fingers and hands at least 150mm away from the blade at all times.

Never attempt to retrieve sawn material until the cutting head is in the raised position, the guard is fully closed and the saw blade has stopped rotating. Only use saw blades that are recommended by the manufacturer and as detailed in this manual and that comply with the requirements of EN 847-1

Do Not use saw blades that are damaged or deformed as they could shatter and cause serious injury to the operator or bystanders.

Do Not use saw blades that are manufactured from high speed steel (HSS).

If the table insert becomes damaged or worn it must be replaced with an identical one available from the manufacturer as detailed in this manual.

PERSONAL PROTECTIVE EQUIPMENT (PPE)

Hearing protection should be worn in order to reduce the risk of induced hearing loss. Eye protection should be worn in order to prevent the possibility of the loss of sight from ejected chippings.

Respiratory protection is also advised as some wood and wood type products especially MDF (Medium Density Fibreboard) can produce dust that can be hazardous to your health. We recommend the use of an approved face mask with replaceable filters when using this machine in addition to using the dust extraction facility.

Gloves should be worn when handling blades or rough material. It is recommended that saw blades should be carried in a holder wherever practicable. It is not advisable to wear gloves when operating the mitre saw.

SAFE OPERATION

Always ensure that you have selected the correct saw blade for the material being cut. **Do Not** use this mitre saw to cut materials other than those specified in this Instruction Manual.

When transporting a mitre saw ensure that the cutting head is locked in the 90 degree down position (if a sliding mitre saw ensure that

the slide bars are locked). Lift the machine by gripping the outer edges of the base with both hands (if a sliding mitre saw, transport using the handles provided). Under no circumstances shall the machine be lifted or transported using the retractable guard or any part of its operating mechanism.

Before each use check the operation of the retractable guard and its operating mechanism ensuring that there is no damage, and that all moving parts operate smoothly and correctly. Keep the work bench and floor area clear of all debris including sawdust, chips and off-cuts. Always check and ensure that the speed marked on the saw blade is at least equal to the no load speed marked on the mitre saw. Under no circumstances shall a saw blade be used that is marked with a speed that is less than the no load speed marked on the mitre saw.

Where it is necessary to use spacer or reducing rings these must be suitable for the intended purpose and only as recommended by the manufacturer.

If the mitre saw is fitted with a laser it shall not be replaced with a different type. If the laser fails to operate it shall be repaired or replaced by the manufacturer or his authorised agent. The saw blade shall only be replaced as detailed in this Instruction Manual.

Never attempt to retrieve off-cuts or any other part of the work piece until the cutting head is in the raised position, the guard is fully closed and the saw blade has stopped rotating.

PERFORM CUTS CORRECTLY AND SAFELY

Wherever practicable always secure the work piece to the saw table using the work clamp where provided.

Always ensure that before each cut the mitre saw is mounted in a stable position.

If needed the mitre saw can be mounted on a wooden base or work bench or attached to a mitre saw stand as detailed in this Instruction Manual. Long work pieces should be supported on the work supports provided or on appropriate additional work supports.

⚠ WARNING: the operation of any mitre saw can result in foreign objects being thrown towards your eyes, which could result in severe eye damage. Before beginning power tool operation, always wear safety goggles or safety glasses with side shield or a full face shield when necessary.

⚠ WARNING: If any parts are missing, do not operate your mitre saw until the missing parts are replaced. Failure to follow this rule could result in serious personal injury.

ADDITIONAL SAFETY ADVICE CARRYING YOUR MITRE SAW

Safety Advice

- Although compact, this Mitre Saw is heavy. To reduce the risk of back injury, get competent help whenever you have to lift the saw.
- To reduce the risk of back injury, hold the tool close to your body when lifting. Bending your knees so you can lift with your legs, not your back. Lift by using the handhold areas at each side of the machine's base.
- Never carry the Mitre Saw by the power cord. Carrying the Mitre Saw by the power cord could cause damage to the insulation or the wire connections resulting in electric shock or fire.
- Before moving the Mitre Saw tighten the mitre and bevel locking screws and the sliding carriage locking screw to guard against sudden unexpected movement.
- Lock the Cutting Head in its lowest position. Ensure that the Cutting Head Locking Pin is completely engaged in its socket.

⚠ WARNING: Do not use the blade guard as a 'lifting point'. The power cord must be removed from the power supply before attempting to move the machine.

- Lock the Cutting Head in the down position using the Cutting Head Locking Pin.

- Loosen the Mitre Angle Locking Screw. Turn the table to either of its maximum settings.
- Lock the table in position using the Locking Screw.
- Use the two carry handle cut-outs machined into either side of the machine base, to transport the machine.

Place the saw on a secure stationary work surface and check the saw over carefully.

Check particularly the operation of all the machine's safety features before attempting to operate the machine.

GETTING STARTED - UNPACKING

CAUTION: This packaging contains sharp objects. Take care when unpacking. This machine could require two persons to lift, assemble and move this machine. Remove the machine, together with the accessories supplied from the packaging.

Check carefully to ensure that the machine is in good condition and account for all the accessories listed in this manual. Also make sure that all the accessories are complete. If any parts are found to be missing, the machine and its accessories should be returned together in their original packaging to the retailer. Do not throw the packaging away; keep it safe throughout the guarantee period. Dispose of the packaging in an environmentally responsible manner. Recycle if possible. Do not let children play with empty plastic bags due to the risk of suffocation.

ITEMS SUPPLIED

DESCRIPTION	QTY
Instruction Manual	1
Hold Down Clamp	1
Hex Key 5mm (Blade Change)	1
Multipurpose Blade	1

ADDITIONAL ACCESSORIES

In addition to the standard items supplied with this machine, other accessories are available to enhance its performance. These include the following items:

DESCRIPTION	PART No
Specialist cutting blades (use only Evolution Blades with this machine)	Specific to blade type
Dust Collection Bag	Specific to machine

Additional accessories and information on the use and type of accessory suitable for your machine can be obtained by contacting your local dealer (or Evolution Power Tools).

UNLATCHING AND RAISING THE CUTTING HEAD

⚠ WARNING: To avoid serious injury, **NEVER** perform the unlocking or locking procedure unless the saw is switched **OFF** and the blade has stopped turning.

To Release the Cutting Head from the Locked Down position:

- Gently press down on the Cutting Handle.
- Pull out the head latching pin (**Fig. A**) and allow the Cutting Head to rise to its upper position. (**Step 1 & 2**)
- The Cutting Head will automatically rise to the upper position once it is released from the locked down position. (**Step 3**)
- It will automatically lock in the upper position.

If Release is Difficult:

- Gently rock the Cutting Head up and down.
- At the same time twist the Head Latching Pin clockwise and pull outwards.

NOTE: We recommend that when the machine is not in use the Cutting Head is locked in its down position with the latching pin fully engaged in its socket.

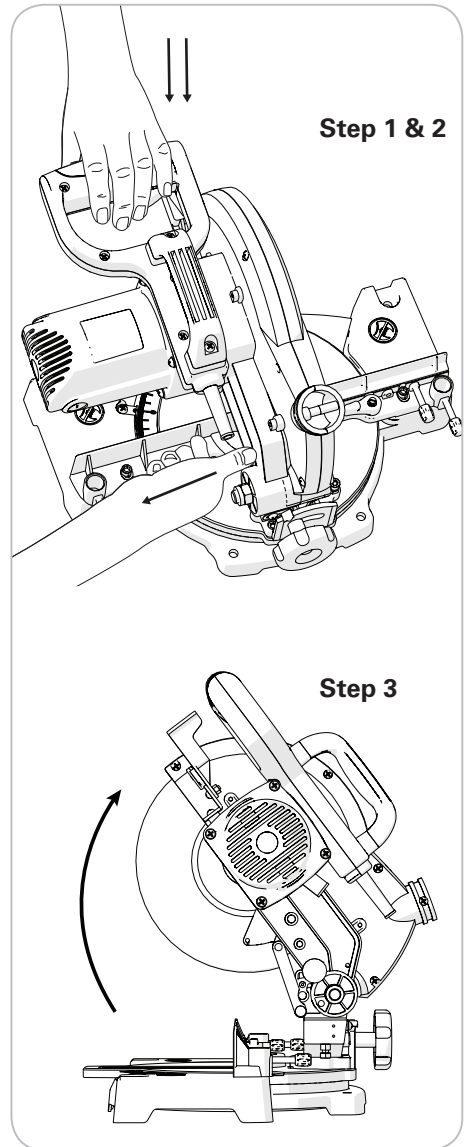
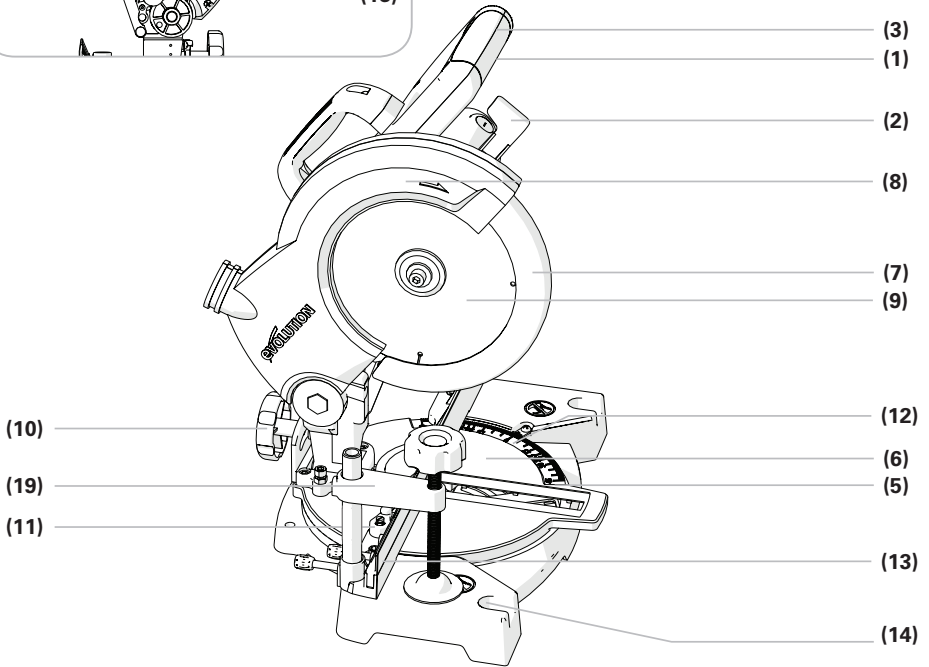
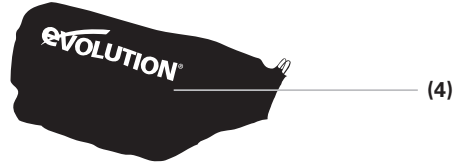
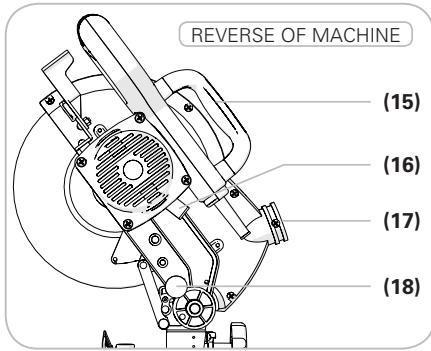


Fig. A

210 COMPOUND MITRE SAW



- | | |
|----------------------------------|--------------------------------|
| 1. ON/OFF TRIGGER SWITCH | 11. MITRE LOCKING SCREW |
| 2. BLADE GUARD LOCKING LEVER | 12. MITRE ANGLE SCALE |
| 3. CUTTING HANDLE | 13. FENCE |
| 4. DUST BAG (Optional Accessory) | 14. MOUNTING HOLE (x4 corners) |
| 5. ROTARY TABLE | 15. CARRY HANDLE |
| 6. TABLE TOP | 16. ARBOR LOCK |
| 7. LOWER BLADE GUARD | 17. DUST EXTRACTION PORT |
| 8. UPPER BLADE GUARD | 18. HEAD LATCHING PIN |
| 9. BLADE | 19. HOLD DOWN CLAMP |
| 10. BEVEL LOCKING SCREW | |

ASSEMBLY and PREPARATION

⚠ WARNING: Always disconnect the saw from the power source before making any adjustments.

PERMANENTLY MOUNTING THE MITRE SAW

To reduce the risk of injury from unexpected saw movement, place the saw in the desired location either on a workbench or other suitable machine stand. The base of the saw has four mounting holes through which suitable bolts (not supplied) can be placed to secure the miter saw. If the saw is to be used in one location, permanently fasten it to the workbench using appropriate fastenings (not supplied). Use locking washers and nuts on the underside of the workbench.

(Fig. 1)

- To avoid injury from flying debris, position the saw so that other people or bystanders cannot stand too close (or behind) it.
- Locate the saw on a firm, level surface where there is plenty of room for handling and properly supporting the workpiece.
- Support the saw so the machine table is level and the saw does not rock.
- Bolt or clamp the saw securely to its support stand or workbench.

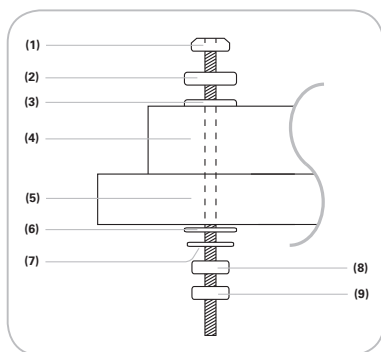


Fig. 1

- 1) Hex headed bolt
- 2) Spring washer
- 3) Flat washer
- 4) Miter saw base
- 5) Workbench
- 6) Flat washer
- 7) Spring washer
- 8) Hex nut
- 9) Lock nut

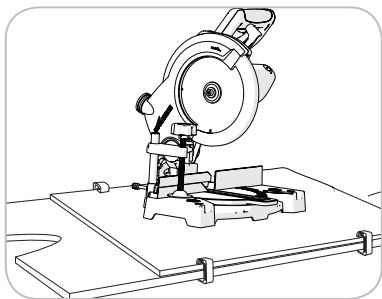


Fig. 2

FOR PORTABLE USE:

- Mount the saw on a 18mm thick piece of plywood or MDF (800mm x 500mm min size recommended) using appropriate fastenings (not supplied).
- It may be necessary to countersink the washers, nuts, etc. to the underside of the plywood or MDF mounting board to avoid an uneven work surface.
- Use G-clamps to attach the mounting board to the work surface. **(Fig. 2)**

HOLD DOWN CLAMP (Fig. 3)

Two sockets (one either side) are incorporated into the rear of the machines fence. These sockets are for positioning the Hold Down Clamp.

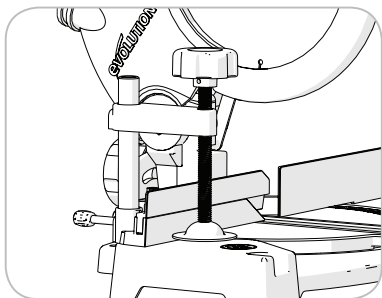


Fig. 3

- Fit the clamp to the retaining socket that best suits the cutting application, ensuring that it is fully pushed down.
- Tighten the fence thumbscrew to lock the pillar of the clamp into the fence socket.
- Place the workpiece to be cut onto the saw table, against the fence and in the desired position.
- Adjust the clamp using the thumbscrews and knob so that it securely holds the workpiece to the saw table.

Conduct a 'dry run' with the power disconnected. Ensure that the Hold Down Clamp does not interfere with the path of the blade, or with the path of any other part of the Cutting Head as it is lowered

THE SLIDING UPPER FENCE SECTION

The Left Hand side of the Fence has an adjustable upper section. Adjustment may be necessary to provide clearance for the moving Cutting Head when acute bevel or compound angles are selected.

To adjust the Fence:

- Loosen the thumbscrew. **(Fig. 4)**
- Slide the upper section of the Fence leftwards to the required position and tighten the thumbscrew.
- Conduct a 'dry run' with the power off to confirm that there is no interference between moving parts as the Cutting Head is lowered.

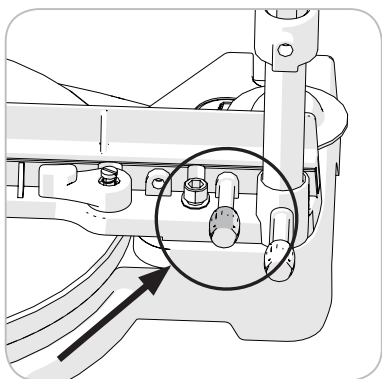


Fig. 4

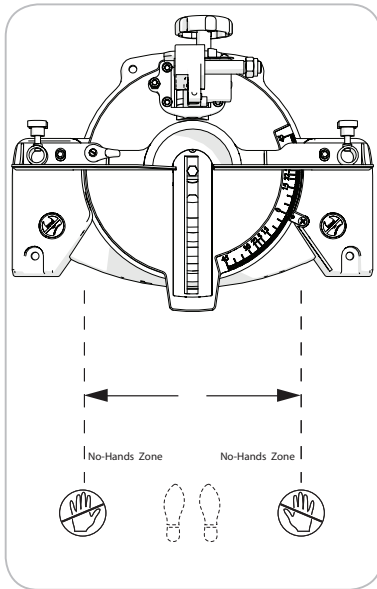


Fig. 5

OPERATING INSTRUCTIONS

CAUTION: The Mitre Saw should be inspected (particularly for the correct functioning of the safety guards) before each use. Do not connect the saw to the power supply until a safety inspection has been carried out.

Ensure that the operator is adequately trained in the use, adjustment and maintenance of the machine, before connecting to the power supply and operating the saw.

⚠ WARNING: To reduce the risk of injury, always unplug the saw before changing or adjusting any of the machines parts. Compare the direction of the rotation arrow on the guard to the direction arrow on the blade. The blade teeth should always point downward at the front of the saw. Check the tightness of the arbor screw.

BODY AND HAND POSITIONING (FIG. 5)

- Never place your hands within the 'no hands zone' (at least 150mm away from the blade). Keep hands away from the path of the blade.
- Secure the workpiece firmly to the table and against the fence to prevent any movement.
- Use a Hold Down Clamp if possible but check that it is so positioned that it does not interfere with the path of the blade or other moving machine parts.
- Avoid awkward operations and hand positions where a sudden slip could cause your fingers or a hand to move into the blade.
- Before attempting a cut, make a 'dry run' with the power off so that you can see the path of the blade.
- Keep your hands in position until the ON/OFF trigger switch has been released and the blade has completely stopped.

ADJUSTMENT OF PRECISION ANGLES

Several checks/adjustments are possible on this machine. The operator will require a 90°- 45°/45° Set Square (not supplied) to carry out these checks and adjustments.

⚠ WARNING: Checks/adjustments must only be conducted with the machine disconnected from the power supply.

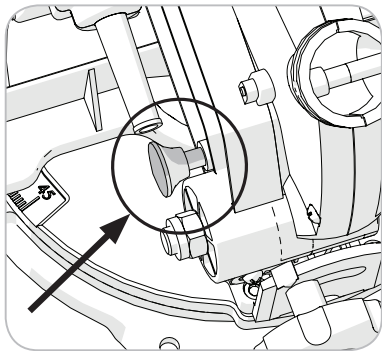


Fig. 6

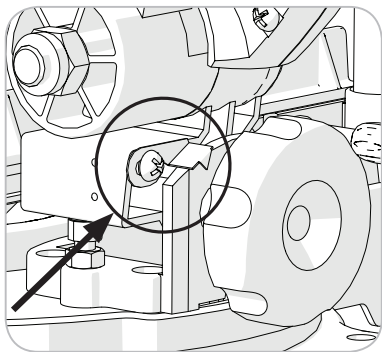


Fig. 7

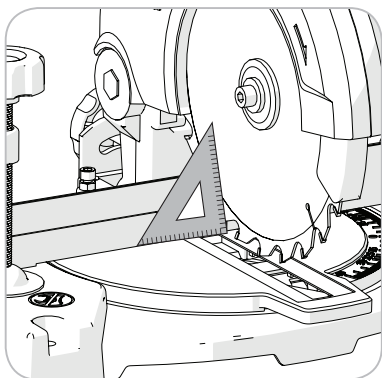


Fig. 8

BEVEL ANGLES (0° AND 45°)

0° Bevel Stop Adjustment

- Ensure that the Cutting Head is in the locked down position with the latching pin fully engaged in its socket. (see Fig. 6)
- Ensure that the Cutting Head is upright, against its stop and the bevel pointer is indicating 0° on the scale. (Fig. 7)
- Place the Set Square on the table with one short edge against the table and the other short edge against the blade (avoiding the TCT tips). (Fig. 8)
- If the blade is not 90° square with the mitre table adjustment is required.
- Loosen the Bevel Lock Handle and tilt the Cutting Head to the left.
- Loosen the locknut on the Bevel Angle Adjustment Screw. (Fig. 9)
- Use a Hex Key to turn the screw in or out to adjust the blade angle.
- Return the Cutting Head to its upright position and recheck the angular alignment against the Set Square.
- Repeat the above steps until correct angular alignment is achieved.
- Tighten the Bevel Angle Adjustment locknut securely.
-

0° Bevel Pointer Adjustment

NOTE: The operator must be satisfied that the blade is set exactly perpendicular to the table when in the upright position and against its stop.

- If the pointer is not in exact alignment with the 0° mark on the protractor scale adjustment is necessary.
- Loosen the Bevel Pointer screw using a #2 Phillips screwdriver. (Fig. 10)
- Adjust the Bevel Pointer so that it is in alignment exactly with the 0° mark.
- Retighten the screw.

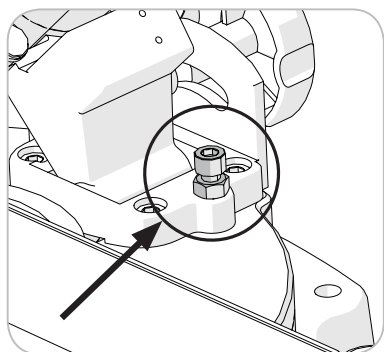


Fig. 9

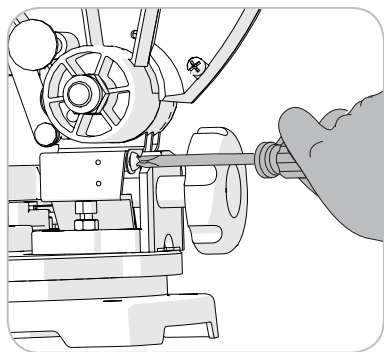


Fig. 10

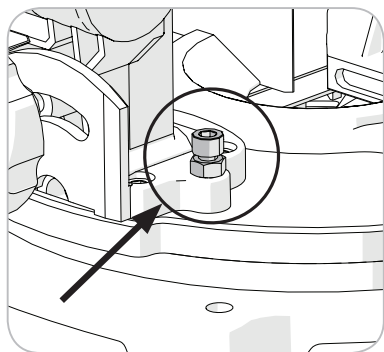


Fig. 11

45° Bevel Stop Adjustment

- Loosen the Bevel Lock Handle and tilt the Cutting Head completely to the left until it rests against the 45° stop.
- Use a Set Square to see if the blade is at 45° to the table (avoiding the TCT tips).
- If the saw blade is not in exact alignment adjustment is necessary.
- Return the Cutting Head to its upright position.
- Loosen the locknut on the 45° Bevel Adjustment Screw.
- Use a Hex Key to adjust the Adjustment Screw in or out as required. **(Fig. 11)**
- Tilt the Cutting Head to the 45° setting and recheck for alignment with the Set Square.
- Repeat the above steps until the correct angular alignment is achieved.
- Tighten the Adjustment Screw locknut securely once alignment is achieved.

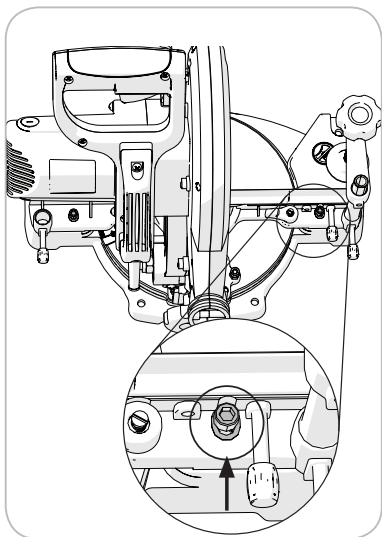


Fig. 12

Fence Alignment

The fence must be aligned at 90° (square) to a correctly installed blade. The rotary table must be set at '0°' miter angle.

The Fence is fastened to the table with two socket head Hex screws positioned one at either side of the fence in elongated slots. **(Fig. 12)**

- Ensure that the Cutting Head is in the locked down position with the latching pin fully engaged in its socket.
- Place a Set Square on the table with one short edge against the Fence and the other short edge against the Blade (avoiding the TCT tips). **(Fig. 13)**
- If adjustment is necessary, loosen the two Fence adjustment screws using a Hex Key.
- Re-position the Fence in its elongated slots until alignment is achieved.
- Securely tighten the socket head Hex screws.

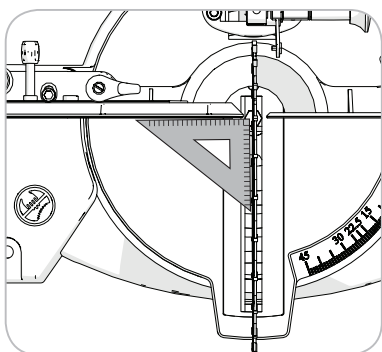


Fig. 13

Mitre Angle Pointer Adjustment

NOTE: There are dual miter angle scales cast into the front of the machines base. A small pointer attached to the rotary table indicates the angle selected.

If necessary the pointer can be repositioned by loosening its fastening screw using a #2 Phillips screwdriver. Adjust as necessary, and then securely tighten the fixing screw. **(Fig. 14)**

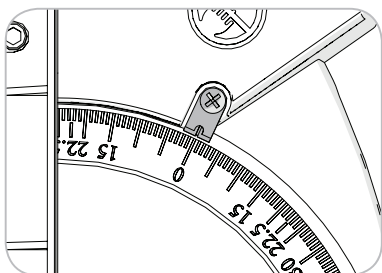


Fig. 14

PREPARING TO MAKE A CUT

DO NOT OVER-REACH

Keep good footing and balance. Stand to one side so that your face and body are out of line of a possible kickback.

Freehand cutting is a major cause of accidents and **should not** be attempted.

- Ensure that the workpiece is always firmly resting against the fence, and where practical is clamped with the Hold Down Clamp to the table.
- The saw table should be clean and free from any sawdust etc. before the workpiece is clamped into position.

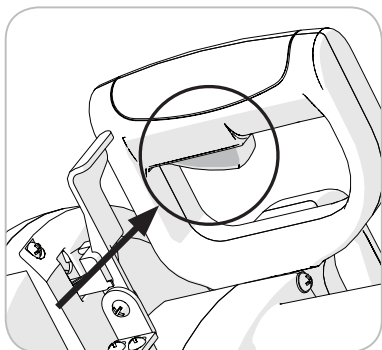


Fig. 15

- Ensure that the 'cut-off' material is free to move sideways away from the blade when the cut is completed. Ensure that the 'cut-off' piece cannot become 'jammed' in any other part of the machine.
- Do not use this saw to cut small pieces. If the workpiece being cut would cause your hand or fingers to be within 150mm of the sawblade, the workpiece is too small.

THE MOTOR ON/OFF SWITCH (Fig. 15)

The ON/OFF Motor Trigger Switch is a non-latching type. It is positioned inside the Cutting HANDLE.

- Press the switch to start the motor.
- Release the switch to turn off the motor.

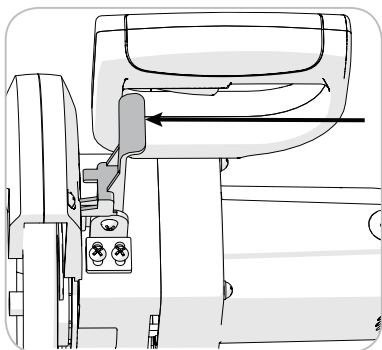


Fig. 16

CHOP CUTTING

This type of cut is used mainly for cutting small or narrow section material. The Cutting Head is gently pushed down to cut through the workpiece.

- Place the workpiece on the table and against the fence and secure with clamp(s) as appropriate.
- Grasp the saw handle.
- Turn the motor on and allow the saw blade to reach full speed.
- Press the lower guard locking lever to release the Cutting Head. **(Fig. 16)**
- Lower the Cutting Handle downwards and cut through the workpiece.
- Allow the speed of the blade to do the work, there is no need to apply undue pressure to the Cutting Handle.
- When the cut has been completed, release the ON/OFF trigger switch.
- Allow the blade to come to a complete stop.
- Allow the Cutting Head to rise to its upper position, with the lower blade guard completely covering the blade teeth, and the Cutting Head locked in the upper position, before releasing the Cutting Handle.
- Remove the workpiece

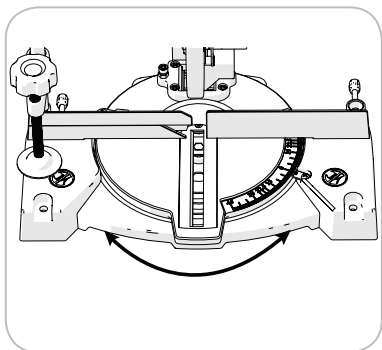


Fig. 17

MITRE CUTTING (Fig. 17)

The rotary table of this machine can be turned through 45° to the left or right from the normal cross-cut (0°) position. Positive stops are provided at 45°, 40°, 35°, 30°, 22.5°, 15°, 10° and 5° to both the right hand and left hand sides.

- Loosen the Mitre Locking Screw, (**Fig. 18**) by turning it anti-clockwise.
- Turn the rotary table to the desired angle. A mitre angle protractor scale is incorporated into the rotary table to aid setting.
- Tighten the Mitre Locking Screw when the desired angle is achieved.

NOTE: It is important to tighten the Mitre Locking Screw even if a Positive Stop has been selected.

NOTE: The Mitre Locking Screw has a sprung loaded repositionable handle. Repositioning may be necessary to ensure that the locking screw can be tightened sufficiently to secure the table.

To reposition:

- Lift up the lever and turn to a convenient position.
- Release the lever.

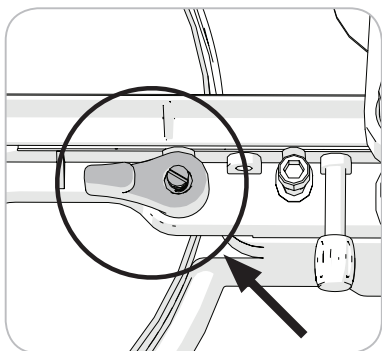


Fig 18

BEVEL CUTTING TILTING THE CUTTING HEAD

A bevel cut (**Fig. 19**) is made with the rotary table set at 0° mitre.

NOTE: It may be necessary to adjust the upper section of the Fence to provide clearance for the moving Cutting Head.

The Cutting Head can be tilted from the normal 0° (perpendicular position) to a maximum angle of 45° from the perpendicular to the left hand side only.

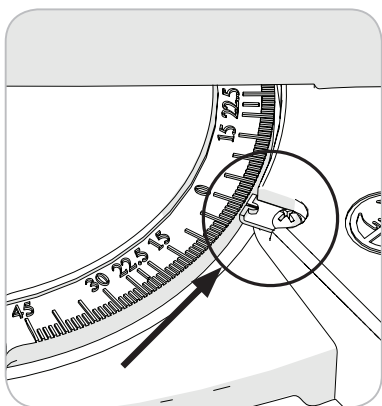


Fig. 19

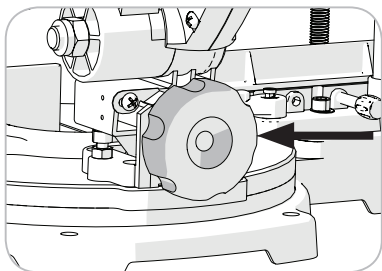


Fig. 20a

To tilt the Cutting Head to the left:

- Loosen the bevel locking screw. **(Fig. 20a)**
- Tilt the Cutting Head to the required angle. A protractor scale is provided as an aid to setting. **(Fig 20b)**
- Tighten the bevel locking screw when the desired angle has been selected.

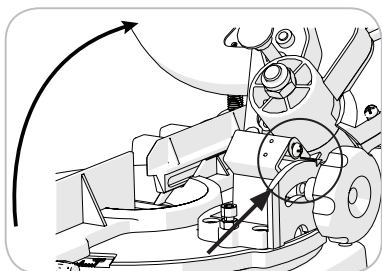


Fig. 20b

When cutting is completed:

- Release the ON/OFF trigger switch, but keep your hands in position and allow the blade to completely stop.
- Allow the Cutting Head to rise to its upper position, with the lower blade guard completely deployed before removing your hand(s).
- Return the Cutting Head to the perpendicular position.
- Tighten the bevel lock lever.

COMPOUND CUTTING (Fig. 21)

A compound cut is a combination of a mitre and bevel cut employed simultaneously.

When a compound cut is required, select the desired bevel and mitre positions as previously described.

Adjust the upper left hand section of the fence if necessary to provide clearance for the moving blade.

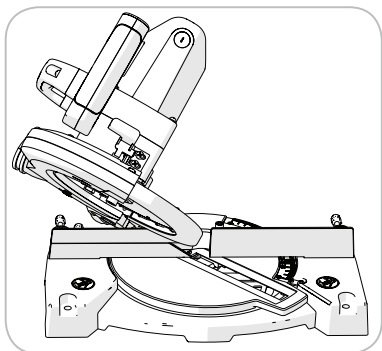


Fig. 21

CUTTING BOWED MATERIAL (Figs. 22)

Before cutting any workpiece, check to see if it is bowed. If it is bowed the workpiece must be positioned and cut as shown.

Do not position the workpiece incorrectly or cut the workpiece without the support of the fence.

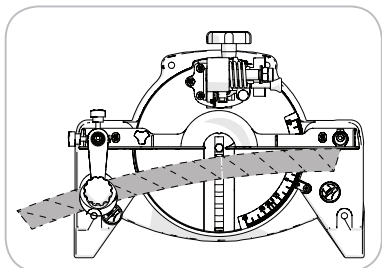


Fig. 22

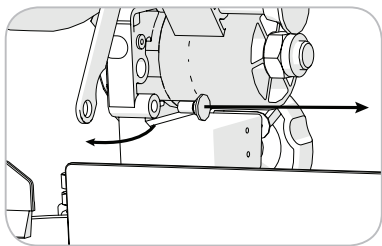


Fig. 23

CLEARING JAMMED MATERIAL

- Turn mitre saw “OFF” by releasing the trigger switch.
- Allow the blade to come to a complete halt.
- Unplug the mitre saw from the mains supply.
- Carefully remove any jammed material from the machine.
- Check the condition and operation of the safety guard.
- Check for any other damage to any part of the machine e.g. the blade.
- Have any damaged parts replaced by a competent technician and a safety inspection carried out before using the machine again.

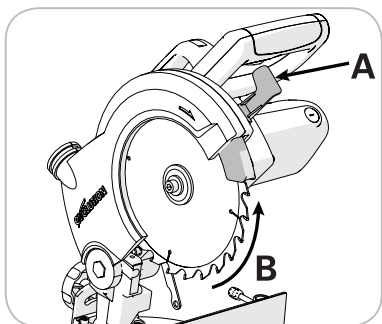


Fig. 24

SUPPORTING LONG WORKPIECES

The free end of a long workpiece should be supported at the same height as the machine table. The operator should consider using a remote workpiece support if thought necessary.

INSTALLING OR REMOVING A BLADE

⚠ WARNING: Only carry out this operation with the machine disconnected from the mains supply.

⚠ WARNING: Only use genuine Evolution blades which are designed for this machine. Ensure that the maximum speed of the blade is higher than the speed of the motor.

NOTE: It is recommended that the operator considers wearing protective gloves when handling the blade during installation or when changing the blade.

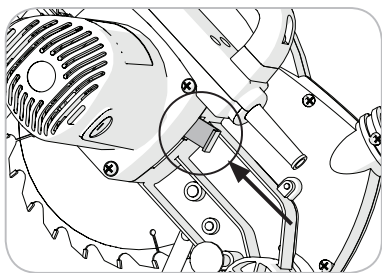


Fig.25

- Ensure the Cutting Head is in its upper position.
- Remove the lower guard operating arm from the machine by removing the pivot screw. **(Fig. 23)** Store this screw safely for future use.
- Press the lower blade guard locking lever **(A)** and rotate the lower blade guard **(B)** up and into the upper blade guard. **(Fig. 24)**
- Press the black arbor lock button to lock the arbor. **(Fig. 25)**
- Using the supplied Hex Key, release the arbor screw and remove the washer and blade flange and the blade from the arbor. **(Fig. 26)**

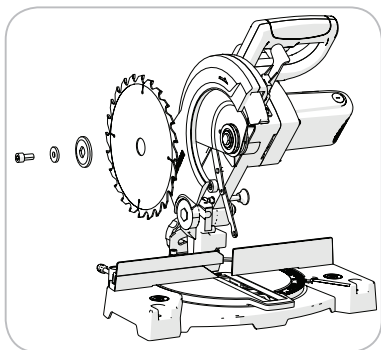


Fig. 26

NOTE: The arbor screw has a LH thread. Turn clockwise to loosen. Turn counterclockwise to tighten.

- Install the new $\varnothing 210$ mm blade. Make sure the rotation arrow on the blade matches the clockwise rotation arrow on the upper guard.

NOTE: The blade teeth should always point downward at the front of the saw.

- Install the blade flange, washer and arbor screw.
- Lock the arbor and tighten the arbor screw using moderate force, but do not overtighten.
- Replace the guard operating arm and its retaining pivot screw. (**Fig. 27**)
- Ensure the Hex Key is removed and the arbor lock has released before operating.
- Ensure the blade guard is fully functional before using the machine.

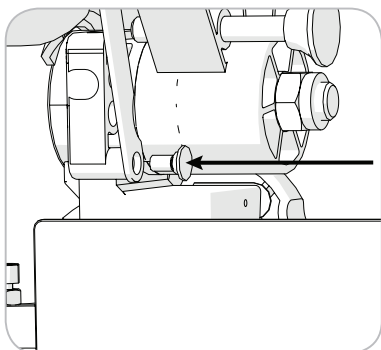


Fig. 27

USE OF OPTIONAL EVOLUTION ACCESSORIES

(not supplied as original equipment – see Additional Accessories pp 11)

DUST BAG

A Dust Bag can be fitted to the extraction port at the rear of the machine. The Dust Bag is for use when cutting wooden materials only.

- Slide the Dust Bag over the dust extraction port, ensuring that the spring clip grips the port holding the Dust Bag securely in place. (**Fig. 28**)

NOTE: For operational efficiency empty the Dust Bag when it becomes 2/3 full. Dispose of the contents of the Dust Bag in an environmentally responsible way. It may be necessary to wear a dust mask when emptying the Dust Bag.

NOTE: A workshop vacuum extraction machine can be attached to the dust extraction port if required. Follow the manufacturers instructions if such a machine is fitted.

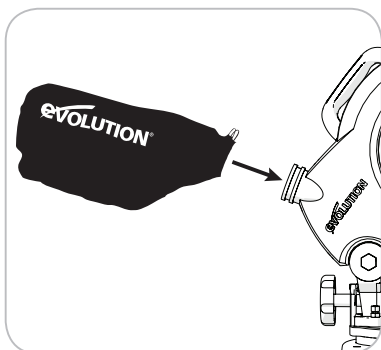


Fig. 28

WARNING: Do not use the Dust Bag when cutting metallic materials.

MAINTENANCE

NOTE: Any maintenance must be carried out with the machine switched off and disconnected from the mains/battery power supply.

Check that all safety features and guards operating correctly on a regular basis. Only use this machine if all guards/safety features are fully operational.

All motor bearings in this machine are lubricated for life. No further lubrication is required.

Use a clean, slightly damp cloth to clean the plastic parts of the machine. Do not use solvents or similar products which could damage the plastic parts.

⚠ WARNING: Do not attempt to clean by inserting pointed objects through openings in the machines casings etc. The machines air vents should be cleaned using compressed dry air. Excessive sparking may indicate the presence of dirt in the motor or worn out carbon brushes. If this is suspected have the machine serviced and the brushes replaced by a qualified technician

Table Insert

A one piece table insert is fitted to this machine. If it is damaged or worn, it must be replaced. Replacement inserts are available from Evolution Power Tools.

To replace the table inserts:

- Remove the cross-head screw that secures the insert to the rotary table.

NOTE: It may be necessary to temporarily remove or reposition the fence to gain access to the fixing screw.

- Lift the insert from the table.
- Remove any debris that may have accumulated under the insert.
- Fit the replacement insert, and replace the fixing screw.
- If necessary replace and re-align the fence. **(see Fence Alignment and Figs 12 & 13)**
- Check that the insert is lying flush and level within the table.

ENVIRONMENTAL PROTECTION



Information (for private householders) for the environmentally responsible disposal of Waste Electrical and Electronic Equipment (WEEE).

This symbol on products, or accompanying documents, indicates that used and end of life electrical and electronic equipment should not be disposed of with household waste. For proper disposal, treatment, recovery and recycling, please take these products to designated collection points, where they will be accepted on a free of charge basis. Alternatively, in some countries you may be able to return your products to your retailer upon the purchase of an equivalent new product. Disposing of this product correctly will help to save valuable resources and prevent any potential adverse effects on human health and the environment, which could otherwise arise from inappropriate waste disposal and handling. Please contact your local authority for further details of your nearest designated collection point. Penalties may be applicable for incorrect disposal of this waste in accordance with national legislation.

For Business Users in the European Union.

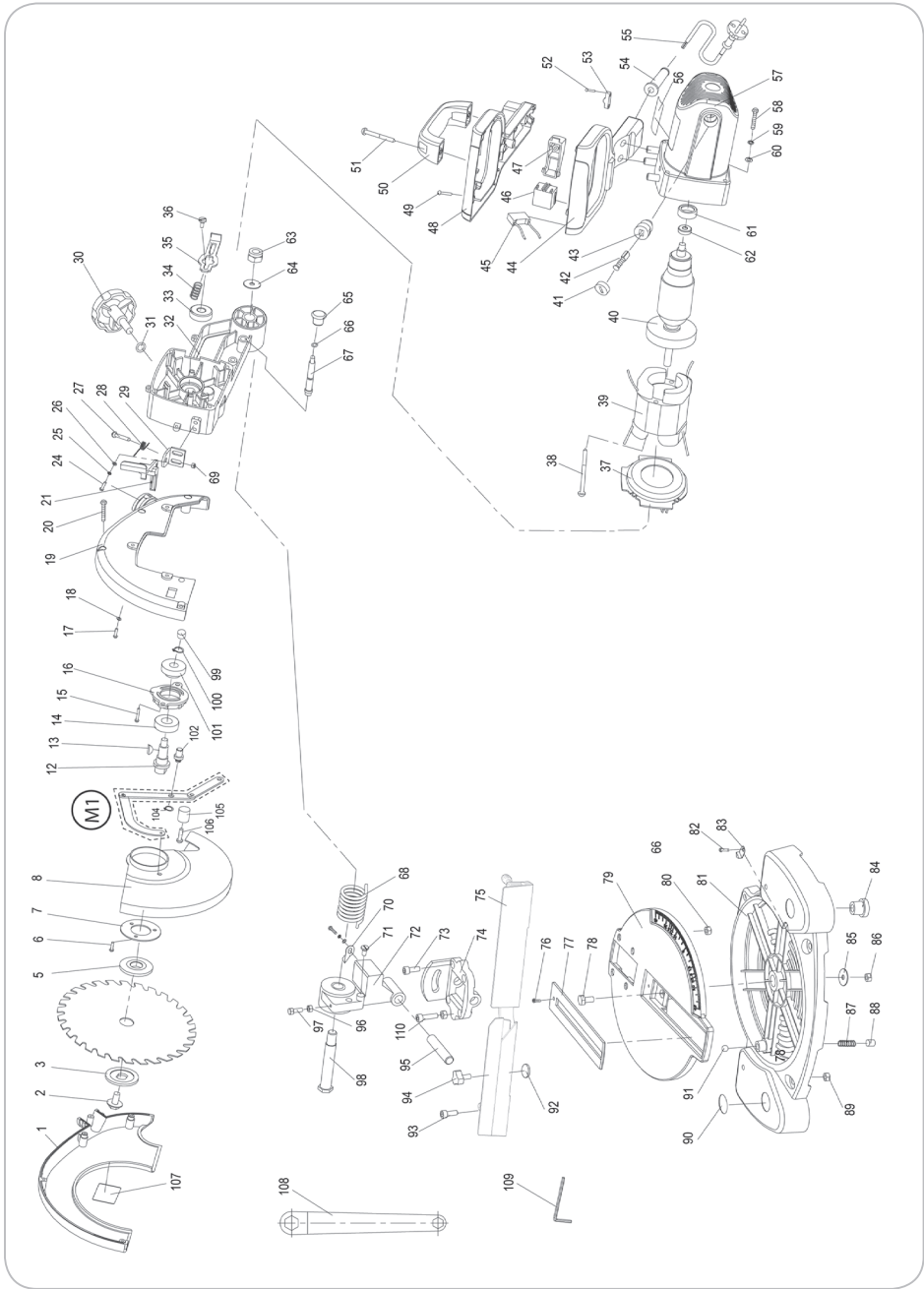
If you wish to discard electrical and electronic equipment, please contact your dealer or supplier for further information.

Information on Disposal in other Countries outside the European Union.

This symbol is only valid in the European Union. If you wish to dispose of this product, please contact your local authorities or dealer and ask for the correct method of disposal.

NOTES

SERVICE PARTS DIAGRAM



EC DECLARATION OF CONFORMITY

In accordance with EN ISO 17050-1:2004

RAGE3-B

evolution[®]
www.evolutionpowertools.com

The manufacturer of the product covered by this Declaration is:

Evolution Power Tools, Venture One, Longacre Close, Holbrook Industrial Estate, Sheffield, S20 3FR

The manufacturer hereby declares that the machine as detailed in this declaration fulfils all the relevant provisions of the Machinery Directive and other appropriate directives as detailed below. The manufacture further declares that the machine as detailed in this declaration, where applicable, fulfils the relevant provisions of the Essential Health and Safety requirements.

The Directives covered by this Declaration are as detailed below:

2006/42/EC Machinery Directive.
2006/95/EC. Low Voltage Equipment Directive.
2004/108/EC. Electromagnetic Compatibility Directive,
93/68/EC. The CE Marking Directive.
2002/95/EC. The Restriction of the Use of certain Hazardous Substances in Electrical Equipment (RoHS) Directive
2002/96/EC as amended by 2003/108/EC The Waste Electrical and Electronic Equipment (WEEE) Directive.

And is in conformity with the applicable requirements of the following documents

EN61029-1 / EN61029-2
EN55014-1 / EN55014-2
EN61000-3-2 / EN61000-3-3
EN60825-1

Product Details

Description: RAGE3-B 210 MULTIPURPOSE COMPOUND MITRE SAW

Evolution Model No: RAGE3B2101 / RAGE3B2102 / RAGE3B2102EU

Factory Model No: J1X-K25-210L / J1X-K25-210LJ

Brand Name: EVOLUTION

Voltage: 110v / 230v

Input: 50Hz / 60Hz

The technical documentation required to demonstrate that the product meets the requirements of directive has been compiled and is available for inspection by the relevant enforcement authorities, and verifies that our technical file contains the documents listed above and that they are the correct standards for the product as detailed above.

CE 09

Name and address of technical documentation holder.

Signed:  Print: Steven Bulloss: Operations Director

Year that CE was first applied

Signed:  Print: David Withington: Product Manager

Date: 21/03/2012



UK HQ

Evolution Power Tools,
Venture One, Longacre Close,
Holbrook Industrial Estate,
Sheffield, S20 3FR, UK

TEL: +44 (0) 114 251 1022
FAX: +44 (0) 114 247 3339

FRANCE HQ

Evolution Power Tools,
61 Avenue Lafontaine, 33560,
Carbon-Blanc,
France

TÉL: + 33 (0)5 57 30 61 89
FAX: + 33 (0)5 57 30 61 94

USA HQ

Evolution Power Tools LLC,
8363 Research Drive,
Davenport, Iowa 52806
U.S.A

TEL: (Toll Free) 866-EVO-TOOL
FAX: 563.386.8010