



**DEWALT®**



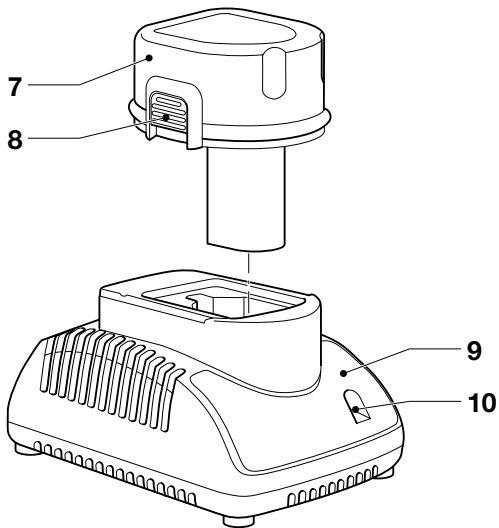
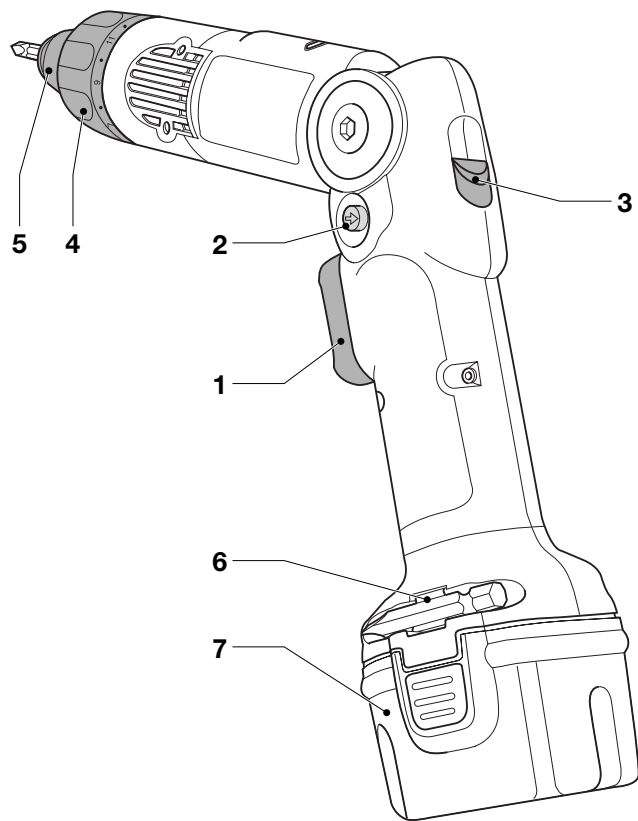
**DW920**



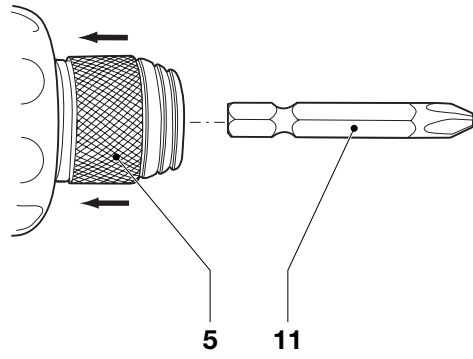


<b>Dansk</b>	<b>1</b>
<b>Deutsch</b>	<b>7</b>
<b>English</b>	<b>14</b>
<b>Español</b>	<b>20</b>
<b>Français</b>	<b>26</b>
<b>Italiano</b>	<b>32</b>
<b>Nederlands</b>	<b>39</b>
<b>Norsk</b>	<b>45</b>
<b>Português</b>	<b>51</b>
<b>Suomi</b>	<b>57</b>
<b>Svenska</b>	<b>63</b>
<b>Türkçe</b>	<b>69</b>
<b>Ελληνικά</b>	<b>75</b>

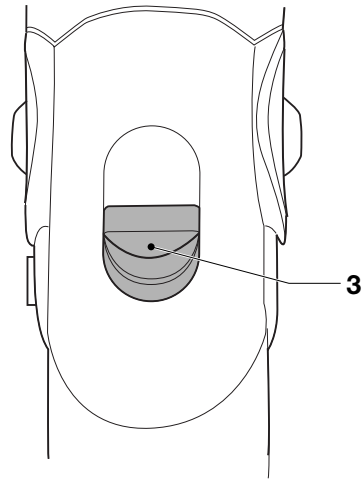




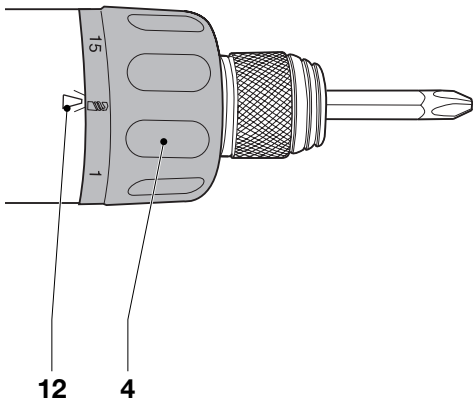
**A**



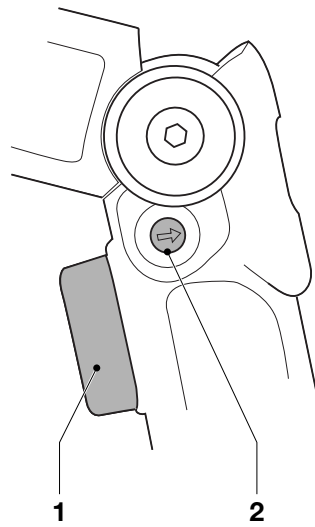
**B**



**C**



**D**



**E**

ENGLISH

# CORDLESS TWO POSITION DRILL/DRIVER DW920

## Congratulations!

You have chosen a DeWALT Power Tool. Years of experience, thorough product development and innovation make DeWALT one of the most reliable partners for professional Power Tool users.

## Table of contents

Technical data	en - 1
EC-Declaration of conformity	en - 1
Safety instructions	en - 2
Package contents	en - 3
Description	en - 3
Electrical safety	en - 4
Mains plug replacement (U.K. & Ireland only)	en - 4
Using an extension cable	en - 4
Assembly and adjustment	en - 4
Instructions for use	en - 5
Maintenance	en - 5
Guarantee	en - 6

## Technical data

DW920		
Voltage	V	7.2
No-load speed	min <sup>-1</sup>	0-500
Max. torque	Nm	9
Tool holder		6.35 mm hex
Weight (without battery pack)	kg	0.8

DE9057		
Voltage	V	7.2
Capacity	Ah	1.3
Weight	kg	0.3

DE9118		
Mains voltage	V <sub>AC</sub>	230
Approx. charging time	h	1
Weight	kg	0.4

## Fuses:

Europe	230 V tools	10 Amperes, mains
U.K. & Ireland	230 V tools	3 Amperes, in plugs

The following symbols are used throughout this manual:



Denotes risk of personal injury, loss of life or damage to the tool in case of non-observance of the instructions in this manual.



Denotes risk of electric shock.



Fire hazard.

## EC-Declaration of conformity



### DW920

DeWALT declares that these Power Tools have been designed in compliance with: 98/37/EEC, 89/336/EEC, 73/23/EEC, EN 50144, EN 50260, EN 55014-2, EN 55014, EN 60335, EN 61000-3-2 & EN 61000-3-3.

For more information, please contact DeWALT at the address below, or refer to the back of the manual.

Level of sound pressure according to 86/188/EEC & 98/37/EEC, measured according to EN 50144:

DW920		
L <sub>PA</sub> (sound pressure)	dB(A)*	68.35
L <sub>WA</sub> (acoustic power)	dB(A)	81.35

\* at the operator's ear



Take appropriate measures for the protection of hearing if the sound pressure of 85 dB(A) is exceeded.

Weighted root mean square acceleration value according to EN 50144:

DW920	
	0.34 m/s <sup>2</sup>



## ENGLISH

Director Engineering and Product Development  
Horst Großmann

DeWALT, Richard-Klinger-Straße 40,  
D-65510, Idstein, Germany

### Safety instructions

When using Power Tools, always observe the safety regulations applicable in your country to reduce the risk of fire, electric shock and personal injury. Read the following safety instructions before attempting to operate this product. Keep these instructions in a safe place!

#### General

##### 1 Keep work area clean

Cluttered areas and benches can cause accidents.

##### 2 Consider work area environment

Do not expose Power Tools to humidity. Keep work area well lit. Do not use Power Tools in the presence of flammable liquids or gases.

##### 3 Guard against electric shock

Prevent body contact with earthed surfaces (e.g. pipes, radiators, cookers and refrigerators). For use under extreme conditions (e.g. high humidity, when metal swarf is being produced, etc.) electric safety can be improved by inserting an isolating transformer or a (FI) earth-leakage circuit-breaker.

##### 4 Keep children away

Do not let children come into contact with the tool or extension cord. Supervision is required for those under 16 years of age.

##### 5 Store idle tools

When not in use, Power Tools must be stored in a dry place and locked up securely, out of reach of children.

##### 6 Dress properly

Do not wear loose clothing or jewellery. They can be caught in moving parts. Preferably wear rubber gloves and non-slip footwear when working outdoors. Wear protective hair covering to keep long hair out of the way.

##### 7 Wear safety goggles

Also use a face or dust mask in case the operations produce dust or flying particles.

##### 8 Beware of maximum sound pressure

Take appropriate measures for the protection of hearing if the sound pressure of 85 dB(A) is exceeded.

##### 9 Secure workpiece

Use clamps or a vice to hold the workpiece. It is safer and it frees both hands to operate the tool.

##### 10 Do not overreach

Keep proper footing and balance at all times.

##### 11 Stay alert

Watch what you are doing. Use common sense. Do not operate the tool when you are tired.

##### 12 Remove adjusting keys and wrenches

Always check that adjusting keys and wrenches are removed from the tool before operating the tool.

##### 13 Use appropriate tool

The intended use is described in this instruction manual. Do not force small tools or attachments to do the job of a heavy-duty tool. The tool will do the job better and safer at the rate for which it was intended.

**Warning!** The use of any accessory or attachment or performance of any operation with this tool, other than those recommended in this instruction manual may present a risk of personal injury.

##### 14 Maintain tools with care

Keep the tools in good condition and clean for better and safer performance. Follow the instructions for maintenance and changing accessories. Inspect the tool cords at regular intervals and, if damaged, have them repaired by an authorized DeWALT repair agent. Keep all controls dry, clean and free from oil and grease.

##### 15 Check for damaged parts

Before using the tool, carefully check it for damage to ensure that it will operate properly and perform its intended function. Check for misalignment and seizure of moving parts, breakage of parts and any other conditions that may affect its operation. Have damaged guards or other defective parts repaired or replaced as instructed.

Do not use the tool if the switch is defective. Have the switch replaced by an authorized DeWALT repair agent.



## ENGLISH

### 16 Remove the battery pack

Remove the battery pack when not in use, before servicing and when changing accessories.

### 17 Have your tool repaired by an authorized DeWALT repair agent

This Power Tool is in accordance with the relevant safety regulations. To avoid danger, electric appliances must only be repaired by qualified technicians.

### Additional safety instructions for battery packs



Fire hazard! Avoid metal short circuiting the contacts of a detached battery pack (e.g. keys carried in the same pocket as a battery pack).

- The battery fluid, a 25-30% solution of potassium hydroxide, can be harmful. In case of skin contact, flush immediately with water. Neutralize with a mild acid such as lemon juice or vinegar. In case of eye contact, rinse abundantly with clean water for at least 10 minutes. Consult a physician.
- Never attempt to open a battery pack for any reason.

### Labels on charger and battery pack

In addition to the pictographs used in this manual, the labels on the charger and the battery pack show the following pictographs:



Battery charging



Battery charged



Battery defective



Do not probe with conductive objects



Do not charge damaged battery packs



Read instruction manual before use



Use only with DeWALT battery packs, others may burst, causing personal injury and damage



Do not expose to water



Have defective cords replaced immediately



Charge only between 4 °C and 40 °C



Discard the battery pack with due care for the environment



Do not incinerate the battery pack

### Package contents

The package contains:

- 1 Cordless drill/driver
- 1 Battery charger
- 1 Battery pack (K models)
- 2 Battery packs (K2 models)
- 1 Screwdriver bit
- 1 Kitbox
- 1 Instruction manual
- 1 Exploded drawing

- Check for damage to the tool, parts or accessories which may have occurred during transport.
- Take the time to thoroughly read and understand this manual prior to operation.

### Description (fig. A)

Your cordless drill/driver DW920 has been designed for professional drilling and screwdriving applications.

- 1 Variable speed switch
- 2 Forward/reverse slider
- 3 Head release button
- 4 Mode selector/torque adjustment collar
- 5 Tool holder sleeve
- 6 Screwdriver bit
- 7 Battery pack





### Charger

Your DE9118 charger accepts DeWALT NiCd battery packs ranging from 7.2 V to 14.4 V.

- 7 Battery pack
- 8 Release buttons
- 9 Charger
- 10 Charging indicator (red)

### Electrical safety

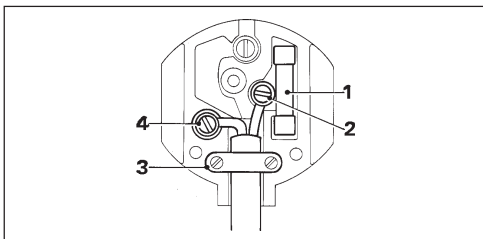
The electric motor has been designed for one voltage only. Always check that the battery pack power corresponds to the voltage on the rating plate. Also make sure that the voltage of your charger corresponds to that of your mains.



Your DeWALT charger is double insulated in accordance with EN 60335.

### Mains plug replacement (U.K. & Ireland only)

- Should your mains plug need replacing and you are competent to do this, proceed as instructed below. If you are in doubt, contact an authorized DeWALT repair agent or a qualified electrician.
- Disconnect the plug from the supply.
- Cut off the plug and dispose of it safely; a plug with bared copper conductors is dangerous if engaged in a live socket outlet.
- Only fit 13 Amperes BS1363A approved plugs fitted with the correctly rated fuse (1).
- The cable wire colours, or a letter, will be marked at the connection points of most good quality plugs. Attach the wires to their respective points in the plug (see below). Brown is for Live (L) (2) and Blue is for Neutral (N) (4).
- Before replacing the top cover of the mains plug ensure that the cable restraint (3) is holding the outer sheath of the cable firmly and that the two leads are correctly fixed at the terminal screws.



Never use a light socket.  
Never connect the live (L) or neutral (N) wires to the earth pin marked E or  $\perp$ .

### Using an extension cable

An extension cord should not be used unless absolutely necessary. Use an approved extension cable suitable for the power input of your charger (see technical data). The minimum conductor size is 1 mm<sup>2</sup>; the maximum length is 30 m.

### Assembly and adjustment



Prior to assembly and adjustment, always remove the battery pack.



- Always switch off the tool before inserting or removing the battery pack.
- Use only DeWALT battery packs and chargers.

### Battery pack (fig. A)

#### Charging the battery pack

When charging the battery pack for the first time, or after prolonged storage, it will only accept an 80% charge. After several charge and discharge cycles, the battery pack will attain full capacity. Always check the mains prior to charging the battery pack. If the mains is functioning but the battery pack does not charge, take your charger to an authorised DeWALT repair agent. Whilst charging, the charger and the battery pack may become warm to touch. This is a normal condition and does not indicate a problem.



Do not charge the battery pack at ambient temperatures <4 °C or >40 °C.  
Recommended charging temperature: approx. 24 °C.

- To charge the battery pack (7), insert it into the charger (9) as shown and plug in the charger. Be sure that the battery pack is fully seated in the charger. The red charging indicator (10) will blink. After approx. 1 hour, it will stop blinking and remain on. The battery pack is now fully charged and the charger automatically switches to equalise mode.







## ENGLISH

After approx. 4 hours, it will switch to maintenance charge mode. The battery pack can be removed at any time or left in the connected charger indefinitely.

- The red charging indicator flashes rapidly to indicate a charging problem. Reinsert the battery pack or try a new one. If the new pack also refuses to charge, have your charger tested by an authorized DeWALT repair agent.
- When plugged into power sources such as generators or sources that convert DC to AC, the red charging indicator may blink twice, switch off and repeat. This indicates a temporary problem of the power source. The charger will automatically switch back to normal operation.

### Inserting and removing the battery pack

- Insert the battery pack into the grip until it clicks in place.
- To remove the battery pack, press the two release buttons (8) simultaneously and pull the pack out of the grip.

### Inserting and removing bits (fig. A & B)

- Pull the sleeve (5) backwards and insert the screwdriver bit (11).
- Release the sleeve.
- To remove the bit, pull the sleeve backwards and pull the bit out of the holder.

### Swivelling the tool head (fig. C)

The head of the tool can be swivelled for optimum versatility.

- Press the release button (3).
- Swivel the tool head into the desired position.
- Release the button.

### Selecting the operating mode or adjusting the torque (fig. D)

The collar of this tool has 15 positions for the adjustment of the torque to suit the size of the screw and the workpiece material. For torque adjustment, refer to the section «Screwdriving».

- Select the drilling mode or torque by aligning the symbol or number on the collar (4) with the indicator (12) on the housing.

### Forward/reverse slider (fig. E)

- To select forward or reverse rotation, use the forward/reverse slider (2) as shown (see arrows on tool).



Always wait until the motor has come to a complete standstill before changing the direction of rotation.

### Instructions for use



Always observe the safety instructions and applicable regulations.

### Prior to operation:

- Make sure your battery pack is (fully) charged.
- Insert the appropriate bit.
- Select forward or reverse rotation.

### Switching on and off (fig. E)

- To run the tool, press the variable speed switch (1). The pressure exerted on the variable speed switch determines the tool speed.
- To stop the tool, release the switch.
- To lock the tool in off position, move the forward/reverse slider (2) to the central position.

### Screwdriving (fig. A)

- Select forward or reverse rotation using the slider (2).
- Set the collar (4) to position 1 and begin screwdriving (low torque).
- If the clutch ratchets too soon, adjust the collar to increase the torque as required.

Consult your dealer for further information on the appropriate accessories.

### Maintenance

Your DeWALT Power Tool has been designed to operate over a long period of time with a minimum of maintenance. Continuous satisfactory operation depends upon proper tool care and regular cleaning.



### Lubrication

Your power tool requires no additional lubrication.





**Cleaning**

- Unplug the charger before cleaning the housing with a soft cloth.
- Remove the battery pack before cleaning your Power Tool.
- Keep the ventilation slots clear and regularly clean the housing with a soft cloth.

**Environment**



**Rechargeable battery pack**

This long life battery pack must be recharged when it fails to produce sufficient power on jobs which were easily done before. At the end of its technical life, discard it with due care for our environment:

- Run the battery pack down completely, then remove it from the tool.
- NiCd and NiMH cells are recyclable. Take them to your dealer or a local recycling station. The collected battery packs will be recycled or disposed of properly.



**Unwanted tools**

Take your tool to an authorised DeWALT repair agent where it will be disposed of in an environmentally safe way.

**GUARANTEE**

**• 30 DAY NO RISK SATISFACTION GUARANTEE •**

If you are not completely satisfied with the performance of your DeWALT tool, simply return it within 30 days, complete as purchased, to the point of purchase, for a full refund or exchange. Proof of purchase must be produced.

**• ONE YEAR FREE SERVICE CONTRACT •**

If you need maintenance or service for your DeWALT tool, in the 12 months following purchase, it will be undertaken free of charge at an authorized DeWALT repair agent. Proof of purchase must be produced. Includes labour and spare parts for Power Tools. Excludes accessories.

**• ONE YEAR FULL WARRANTY •**

If your DeWALT product becomes defective due to faulty materials or workmanship within 12 months from the date of purchase, we guarantee to replace all defective parts free of charge or, at our discretion, replace the unit free of charge provided that:

- The product has not been misused.
- Repairs have not been attempted by unauthorized persons.
- Proof of purchase date is produced.

This guarantee is offered as an extra benefit and is additional to consumers statutory rights.

For the location of your nearest authorized DeWALT repair agent, please use the appropriate telephone number on the back of this manual. Alternatively, a list of authorized DeWALT repair agents and full details on our after-sales service are available on the Internet at [www.2helpU.com](http://www.2helpU.com).



<b>Belgique et Luxembourg België en Luxemburg</b>	DeWALT Weihoek 1, Nossegem 1930 Zaventem-Zuid	Tel: 02 719 07 12 Fax: 02 721 40 45 Service fax: 02 719 08 10
<b>Danmark</b>	DeWALT Hejrevang 26 B 3450 Allerød	Tlf: 70 20 15 10 Fax: 48 14 13 99
<b>Deutschland</b>	DeWALT Richard-Klinger-Straße 65510 Idstein	Tel: 06 12 62 16 Fax: 061 26 21 24 40
<b>Ελλάς</b>	DeWALT Λεωφ Συγγρού 154 176 71 Καλλιθέα, Αθήνα	Τηλ: 019 24 28 70 Fax: 019 24 28 69 Service: 019 24 28 76-7
<b>España</b>	DeWALT Ctra de Acceso a Roda de Barà, km 0,7, 43883 Roda de Barà, Tarragona	Tel: 977 29 71 00 Fax: 977 29 71 38 Fax: 977 29 71 19
<b>France</b>	DeWALT Le Paisy BP 21, 69571 Dardilly Cedex	Tel: 472 20 39 20 Tlx: 30 62 24F Fax: 472 20 39 00
<b>Helvetia Schweiz</b>	DeWALT/Rofo AG Warpel 3186 Dürdingen	Tel: 037 43 40 60 Fax: 037 43 40 61
<b>Ireland</b>	DeWALT Calpe House Rock Hill Black Rock, Co. Dublin	Tel: 012 78 18 00 Fax: 012 78 18 11
<b>Italia</b>	DeWALT Viale Elvezia 2 20052 Monza (Mi)	Tel: 03 92 38 72 04 Fax: 03 92 38 75 93
<b>Nederland</b>	DeWALT Florijnstraat 10 4879 AH Etten-Leur	Tel: 07 65 08 22 01 Fax: 07 65 03 81 84
<b>Norge</b>	DeWALT Strømsveien 344 1081 Oslo	Tel: 22 99 90 00 Fax: 22 99 90 01
<b>Österreich</b>	DeWALT Werkzeugevertriebs GmbH Erlaaerstraße 165, Postfach 320,1231 Wien	Tel: 022 26 61 16 Tlx: 13228 Black A Fax: 022 26 61 16 14
<b>Portugal</b>	DeWALT Rua Egas Moniz 173 Apartado 19, S. João do Estoril, 2768 Estoril, Codex	Tel: 468 7513/7613 Tlx: 16607 Bladec P Fax: 466 38 41
<b>Suomi</b>	DeWALT Palotie 3 01610 Vantaa	Puh: 98 25 45 40 Fax: 98 25 45 444
	Brandvägen 3 01610 Vanda	Tel: 98 25 45 40 Fax: 98 25 45 444
<b>Sverige</b>	DeWALT Box 603 421 26 Västra Frölunda, Besöksadr. Ekonomivägen 11	Tel: 031 68 61 00 Fax: 031 68 60 08
<b>Türkiye</b>	DeWALT Merkez Mahallesi, Köyaltı Mevkii, Şahnur Sokak (OTTO Binası) 34530 Yenibosna/İstanbul (PBX)	Tel: 021 26 39 06 26 Faks: 021 26 39 06 35
<b>United Kingdom</b>	DeWALT 210 Bath Road Slough, Berks SL1 3YD	Tel: 017 53 57 42 77 Fax: 017 53 52 13 12

