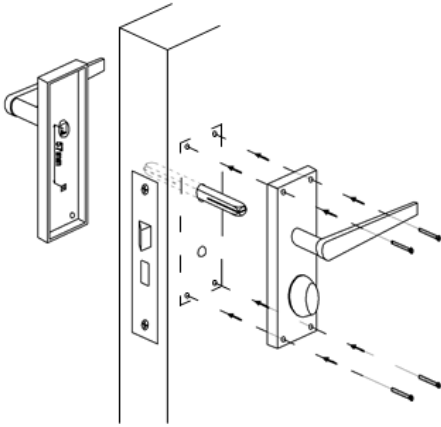
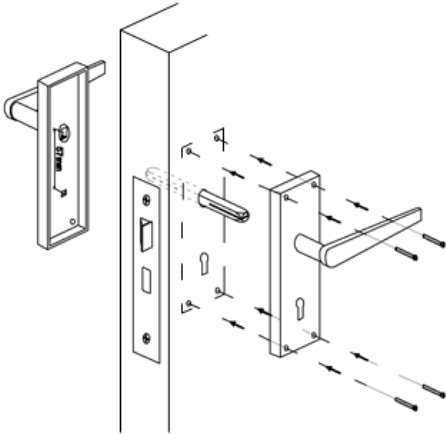


# Fitting Instructions for Lever on Backplate Furniture

## Bathroom Lock/Lever on Plate

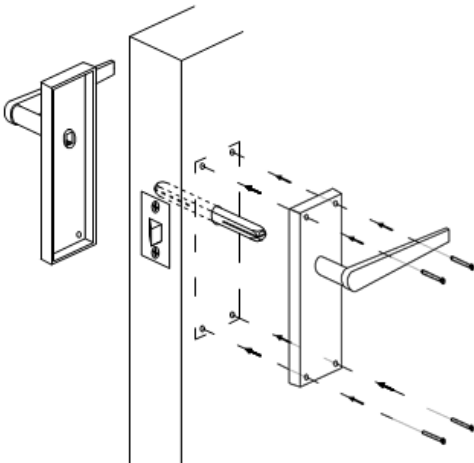


1. Locate the spindle through the square hole in the door latch or lock and place the backplates onto the spindle bar each side of the door.
2. Mark screw holes with a bradawl.
3. Remove backplates and spindle bar.
4. Drill pilot holes for wood screws.
5. Fit backplate locating spindle through the square follower in the door lock/latch ensuring enough projection of spindle on either side.
6. Tighten grub screws where applicable to secure spindle.
7. Screw wood screws in place when aligned.
8. Ensure correct bathroom lock is fitted to take 5mm spindle bar and that door has been drilled to receive the fitting.
9. Thumbturn and release mechanisms are fitted using the grub screw and allen key provided, simply tighten to secure.



## Lever Lock on Plate

1. Locate the spindle through the square hole in the door latch or lock and place the backplates onto the spindle bar each side of the door.
2. Mark screw holes with a bradawl.
3. Remove backplates and spindle bar.
4. Drill pilot holes for wood screws.
5. Fit backplate locating spindle through the square follower in the door lock/latch ensuring enough projection of spindle on either side.
6. Tighten grub screws where applicable to secure spindle.
7. Screw wood screws in place when aligned.

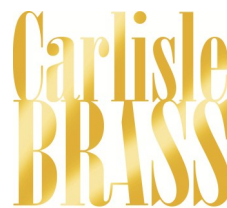


## Lever Latch on Plate

1. Locate the spindle through the square hole in the door latch or lock and place the backplates onto the spindle bar each side of the door.
2. Mark screw holes with a bradawl.
3. Remove backplates and spindle bar.
4. Drill pilot holes for wood screws.
5. Fit backplate locating spindle through the square follower in the door lock/latch ensuring enough projection of spindle on either side.
6. Tighten grub screws where applicable to secure spindle.



Serozzetta products offer a 5 year mechanical guarantee with Carlisle Brass Ltd



Carlisle Brass products offer a 10 year mechanical guarantee with Carlisle Brass Ltd