

INSET SINK

B20086D

A double bowl / double drainer inset sink manufactured from 0.91 mm thick, austenitic stainless steel, satin polish finish. This sink has all four sides incorporating a rimmed edge profile, particularly suitable for inseting into a standard sized worktop. The bowls are prepared for a 38mm waste and overflow and can be supplied with waste, plug, chain and overflow as an extra. Two tapholes are provided, positioned centrally between the bowl, suitable for mixer taps only. Supplied complete with fixing clips.

Double bowl / double drainer inset sink



ARTICLE NUMBER

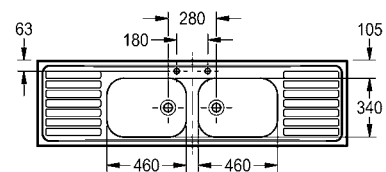
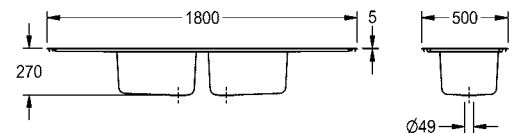
B20086D

EAN 7612979003970

TECHNICAL DATA

Material	stainless steel
Material code	1.4301 Chrome Nickel steel V2A
Material thickness	0.91 mm
Surface finish	satin finished
Bowl finish	satin finished
Gross weight	14.7 kg
Type of mounting	inset mounting
Waste size	DN 32
Tap ledge	yes
Drainer or storage	drainer
Overall width	1800 mm
Overall height	250 mm
Overall depth	500 mm
Bowl - width	340 mm
Bowl - depth	460 mm
Bowl - bowl depth	250 mm
Drainer / storage board quantity	2
Waste hole position	right centre
Waste hole projection	212 mm
Drainer position	left & right

WASHROOM
SYSTEMS



Franke Washroom Systems
ws-info.uk@franke.com
www.franke.com

2012-09-04, Franke WS

FRANKE



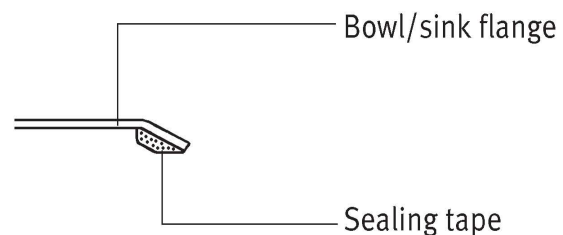
Franke Sissons Ltd., Carrwood Road, Sheepbridge, Chesterfield, S41 9QB
 Telephone: 01246 450255 Fax: 01246 451276 E-mail: ws-info.uk@franke.com

Fixing instructions for B20085L, B20085R inset sink, D20167N, D20168N inset wash hand basins

Code No.	Dimensions in millimetres		No. of clips to be fitted
B20085L/R	1000 x 490	Corners of cut outs	12
D20167N	400 x 380	may be radiused to	12
D20168N	452 x 370	25mm maximum	12

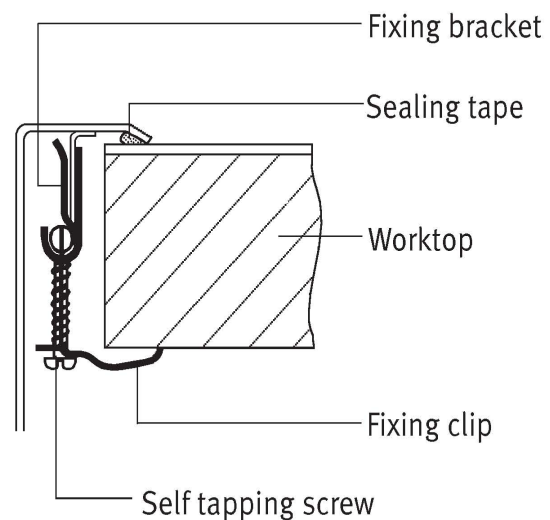
Fixing clips will accommodate worktops from 25 - 40mm in thickness.

1. Cut out the aperture in the worktop ensuring that there is sufficient clearance between the bowl for any cabinet framework.
NB Make sure that the position of the aperture does not unduly weaken the worktop.



Flange sealing

2. Ensure that the edges of the sink are clean and dry. Remove the backing from the sealing strip and stick the strip to the edges as shown.
3. 12 fixing clips are supplied with each unit.
4. Place the sink in the aperture.
5. Locate the clips onto the fixing brackets.
6. Tighten the screw until the bowl or sink is secured in position.
Do not overtighten as this may damage the unit.



Section