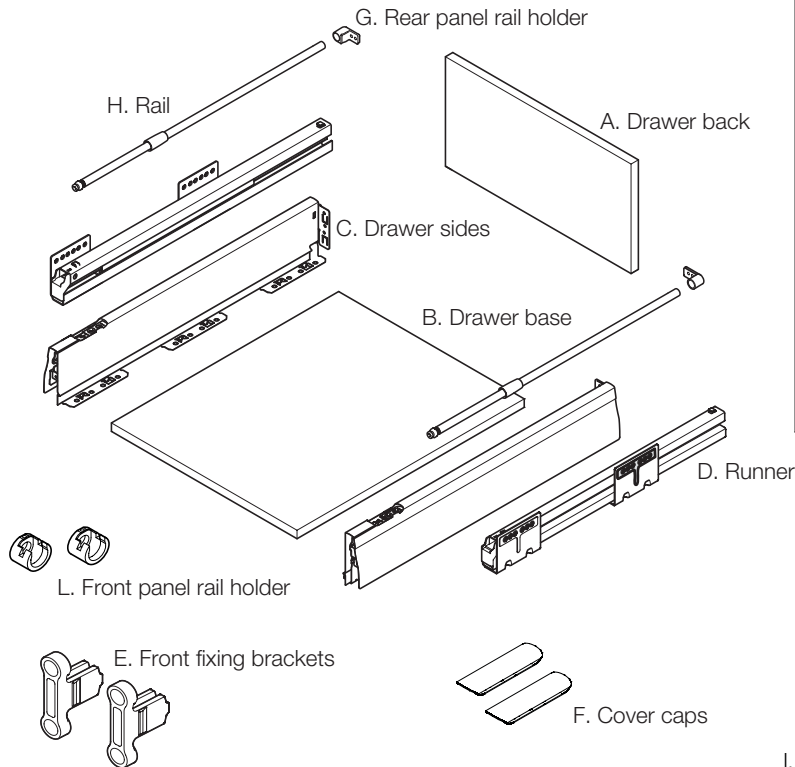
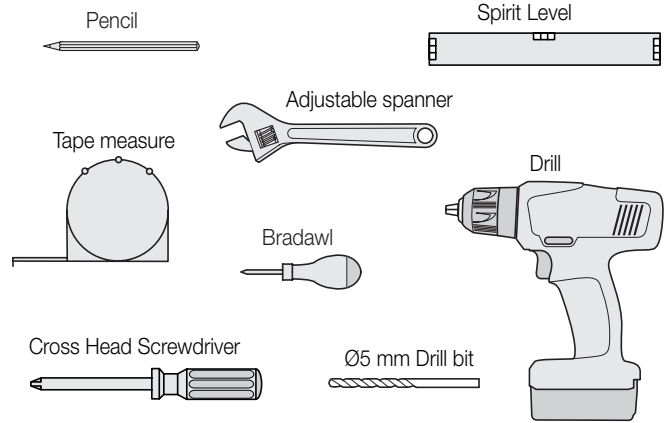


## Assembly guide Moovit drawer assembly

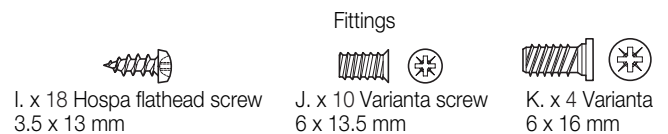
### Component parts



### Tools required (Not Supplied)



- Make sure all the components are included before you start.
- The number for technical support is at the bottom of the page.
- Don't rush!
- Read the instructions first.
- Assemble in the stages shown.
- Keep the fittings together to avoid loss.
- Have fun.

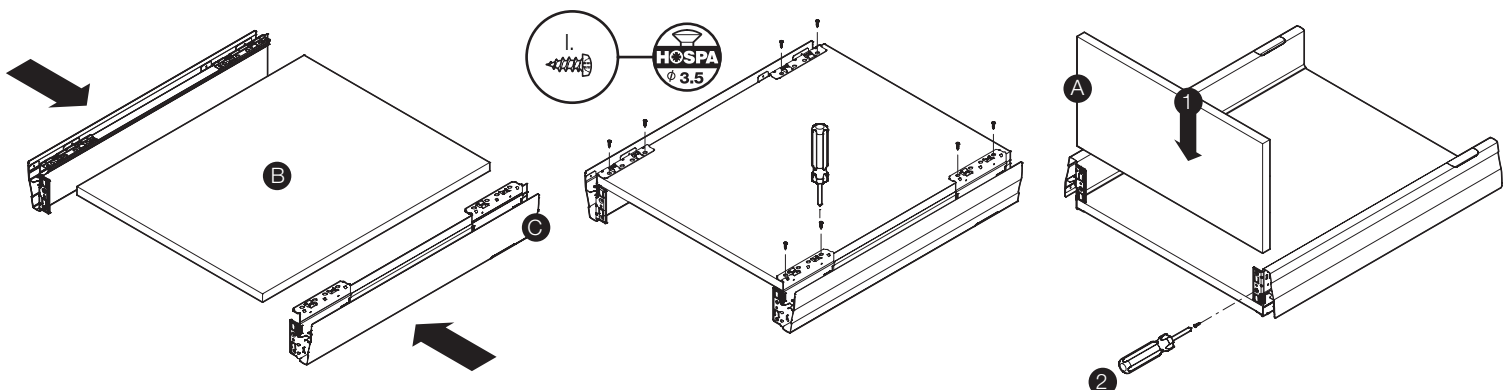


**Before you start...** Check the pack and make sure all the components are included – if not call the Helpline on 01788 548800 and our team will get things sorted. When you are ready to start make sure you have the right tools to hand, plenty of space and a clean dry area for building. Don't rush, read the instructions first and run through the sequence before you begin. Assembly should be done in the stages shown in the following diagrams, keeping fittings together to avoid loss. Do not over tighten screws.

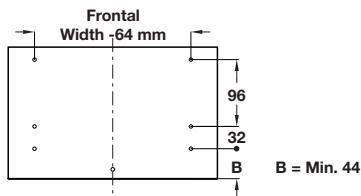
**Cleaning** - Use mild soap and water only. Do not use abrasive cleaners.

#### 1. Base and rear panel

Connect the Drawer base panel (B) to drawer sides (C) shown below using the supplied 8 No. (I) 3.5 x 13 mm flathead screws. Then connect the back panel (A) using 4 No. (I) 3.5 x 13 mm flathead screws .

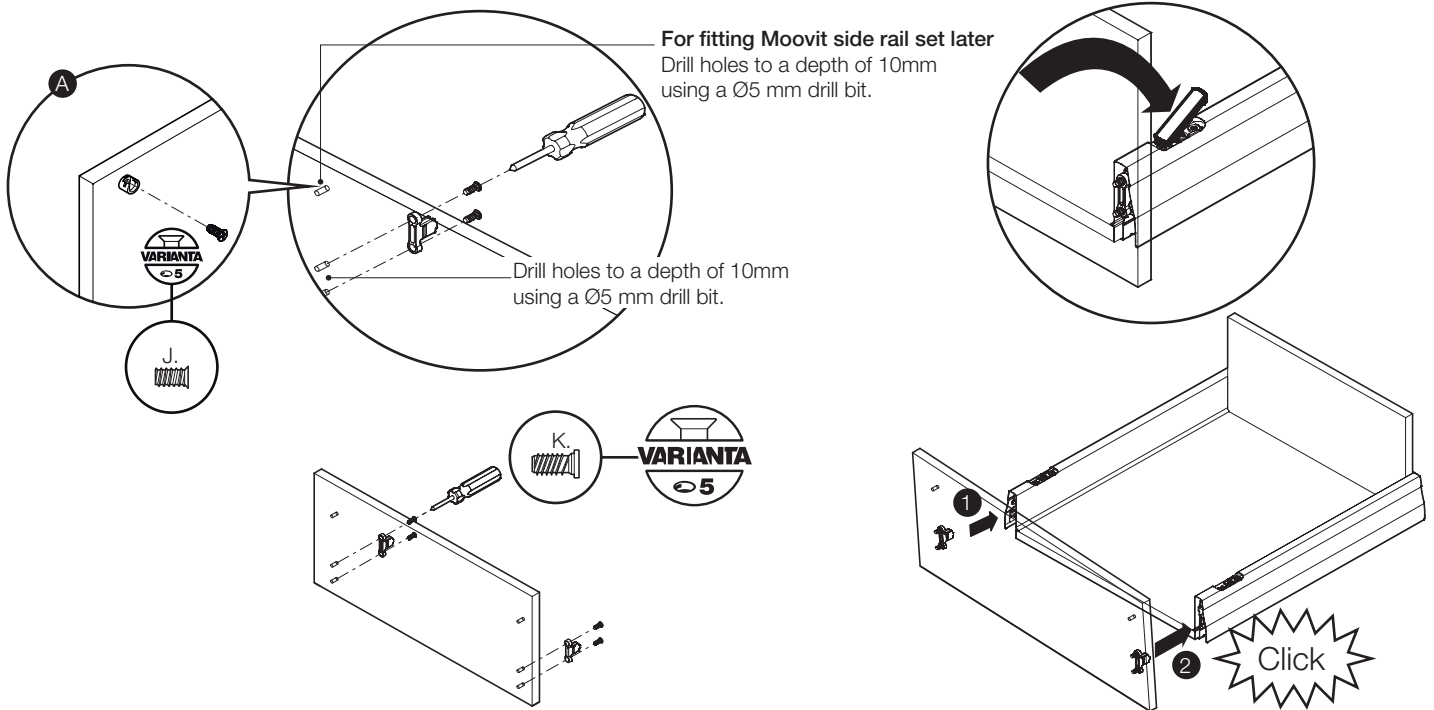


## FRONTAL FIXING



### 2. Front panel

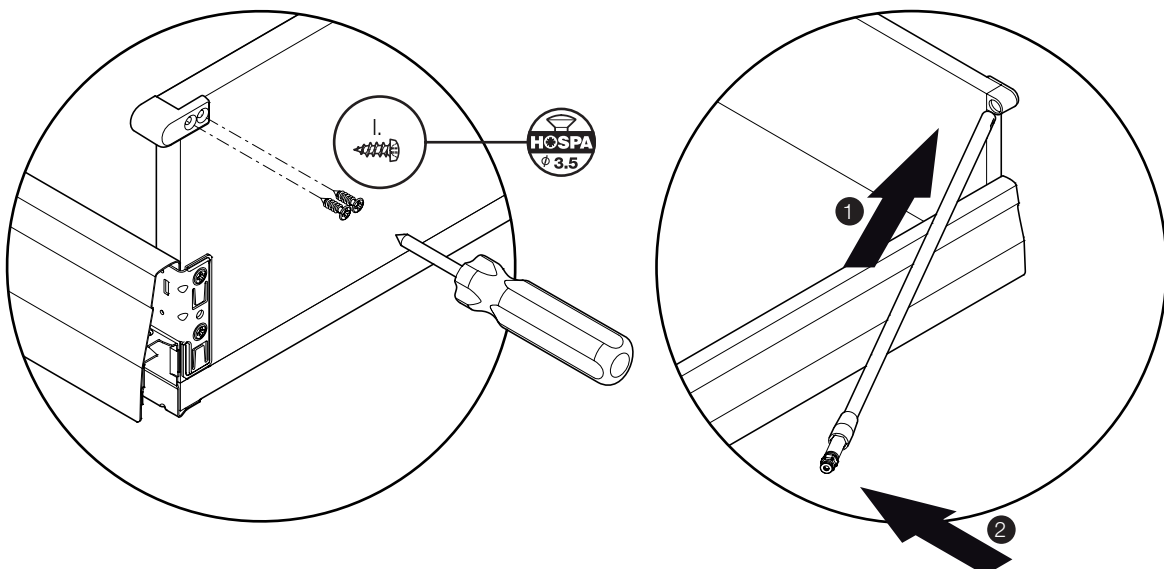
Connect the drawer front, (not supplied) to the front fixing brackets (E) by drilling 6 x Ø5 mm holes to a depth of 10 mm as shown below using the supplied 4 No. (K) 6 x 16 mm screws, using the dimensions from the above diagram. Then attach the front panel rail clips to the top 2 holes using 2 No. (J) 6 x 13.5 mm screws shown below in **Fig. A**



## FITTING MOOVIT SIDE RAIL SET

### 3. Fitting the side rail set

Align the two rear panel rail holders (G) on the outside rear corners of the drawer back (A) as shown in the below diagram, secure in place using 4 No. (I) 3.5 x 13 mm flathead screws. Align the cut out on the rail (H) with the tab on the inside of the rear panel rail holder (G) and insert the rail at a similar angle to that of the below diagram **Fig. 1** Then straighten the rail to run parallel to the drawer side (C) **Fig. 2**.

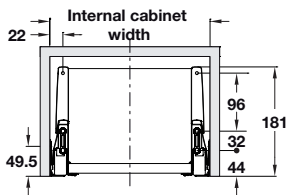
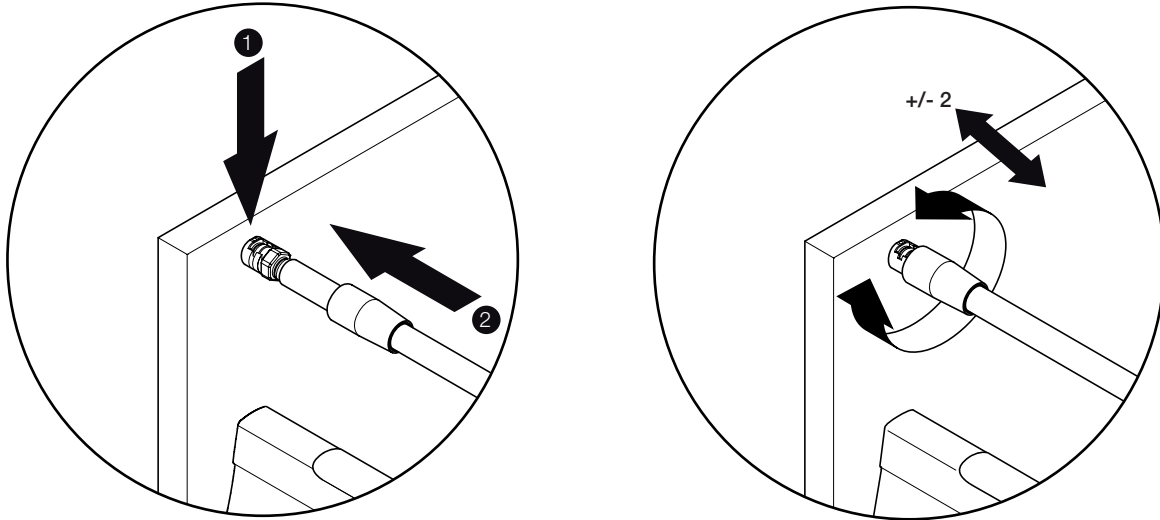


## FITTING MOOVIT SIDE RAIL SET

### 4. Fitting the side rail set

Once you have straightened the rail to run parallel to the draw side (C), lift the front of the rail up slightly, just enough to be able to locate the front of the rail into the front panel rail holder (L) as shown below **Fig. 1**, to secure the rail in place tighten up the nylon nut using an adjustable spanner, then slide rail sheath over the nut and bracket to cover **Fig. 2**.

### 5. Adjusting the drawer frontal

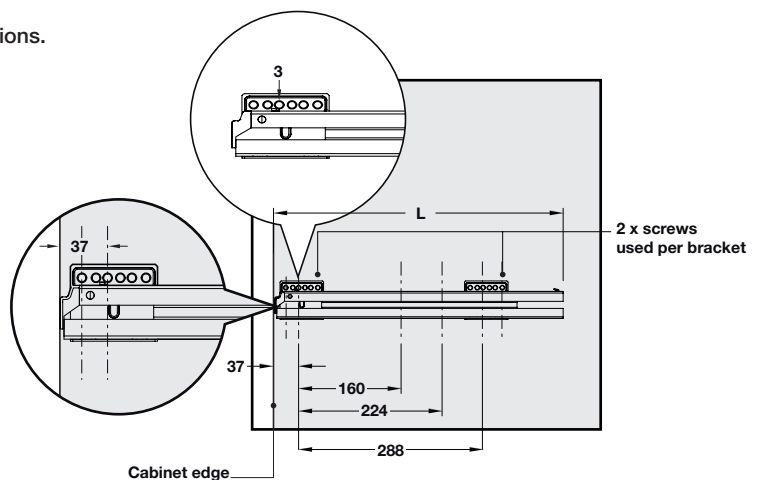
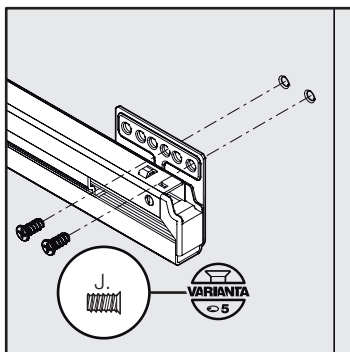


### 6. Fitting runners

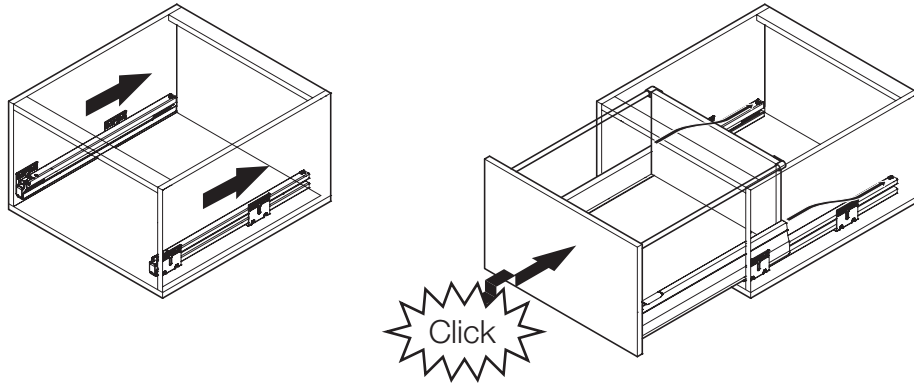
Once the desired height has been determined for the drawer mark the fixing holes with a pencil, then drill  $\varnothing 5$  mm holes to a depth of 12 mm. Fix the runners into position using 8 No. (J) 6 x 13.5 mm screws.

L = Length

For drilling template please refer to page 5 of these instructions.

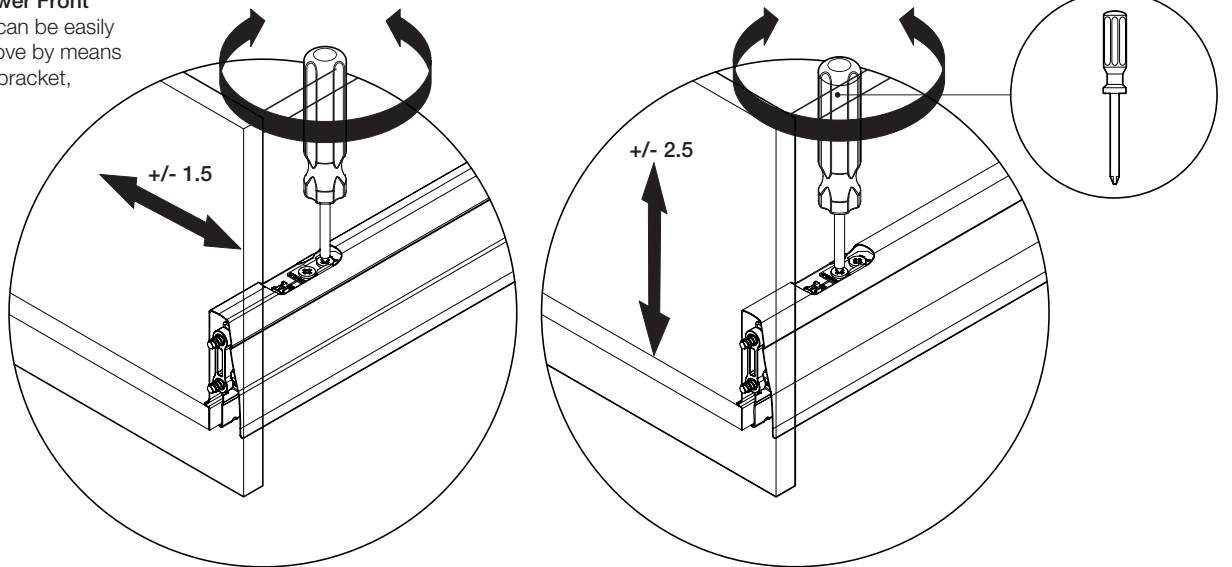


## 7. Fitting drawer



## 8. Adjusting Drawer Front

The drawer front can be easily adjusted from above by means of the front fixing bracket, neatly concealed by a trim cap.



## 9. Drawer Removal

When removing the drawer from the cabinet, pull the drawer towards you, lifting towards the end of travel.

