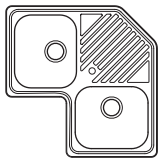





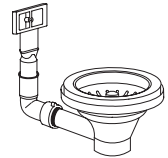
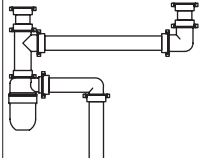
Assembly Instructions

Stainless Steel Double Bowl Corner Sink / Drainer

Parts Supplied

Ref	Description	Illustration	Qty
A	Sink		1
B	Seal Tape		2
C	Fixing Clip		15

Fittings Supplied

Ref	Description	Illustration	Qty
D	Strainer		1
E	Strainer (over flow)		1
F	Trap Kit		1

Tools Required (not supplied)

<p>Pencil Electric Drill Ruler Power Jigsaw Cross Head Screwdriver Silicone Sealant Laminate Jigsaw Blade 10mm Drill Bit</p>

Before You Start

- Check the pack and make sure you have all of the parts listed above. If not, contact your retailer who will be able to help you.
- When you are ready to start, make sure that you have the right tools to hand, plenty of space and a clean dry area for assembly.
- Beware of the sharp edges. It is recommended that you wear gloves when handling the sink during installation.
- Caution: To avoid the risk of static electric shock, the sink must be bonded to earth. If in doubt, seek the advice of a professionally qualified electrician.

Assembly

1. Wipe your worktop clean before starting installation.
2. Place the sink, upside down, into position on the worktop where you want to install it. Mark the outline of the sink with a pencil. (See Fig 1.0)

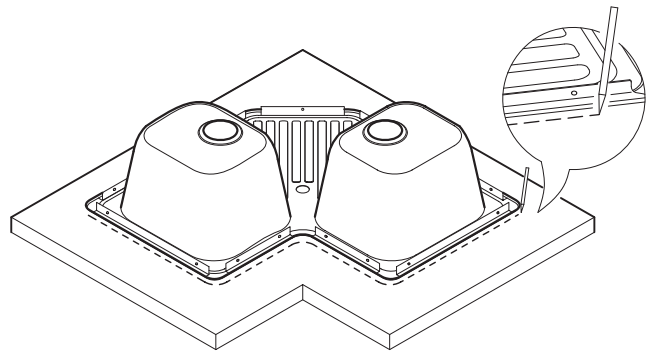


Fig 1.0

3. Remove the sink and make another line for the cut out, offset 9mm inside the first line. (See Fig 2.0)

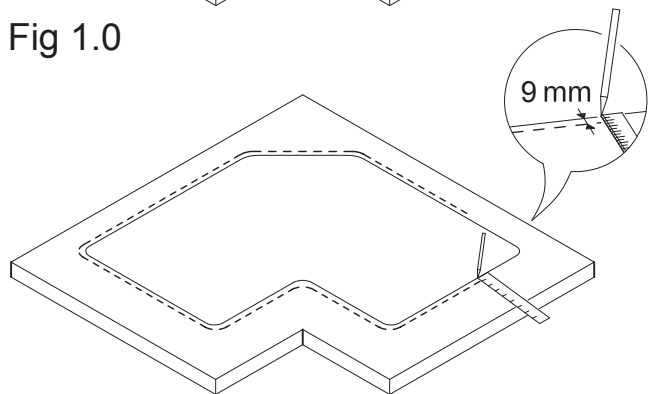


Fig 2.0

4. Drill a 10mm hole just inside the inner (cut out) marked line to allow the jigsaw blade through the worktop. Using a jigsaw with a laminate cutting blade, carefully cut around the innermost marked line. (See Fig 3.0)

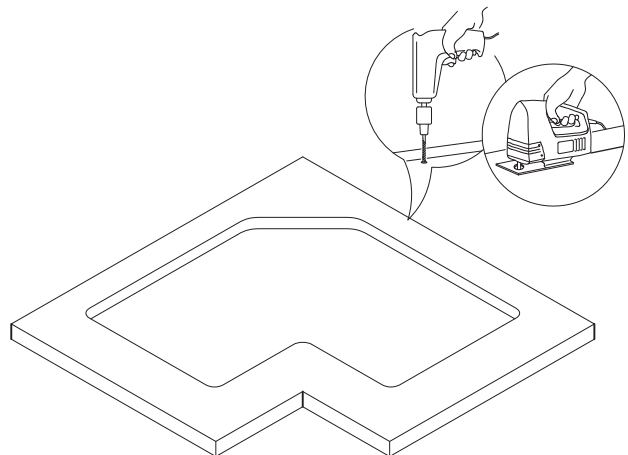


Fig 3.0

5. Remove the protective backing from the Seal tape. Adhere the seal tape around the underside of the sink edge (See Fig 4.0). Place the sink into position in the worktop.

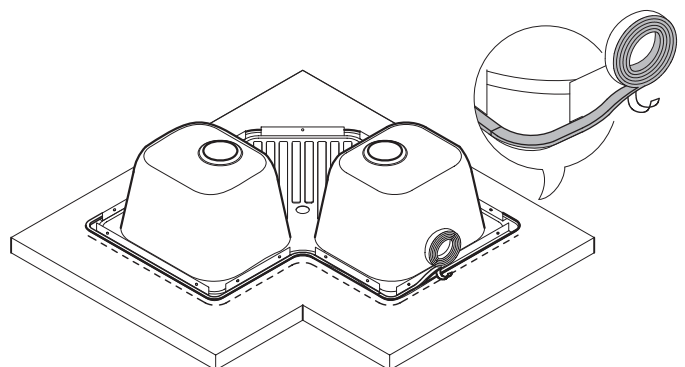
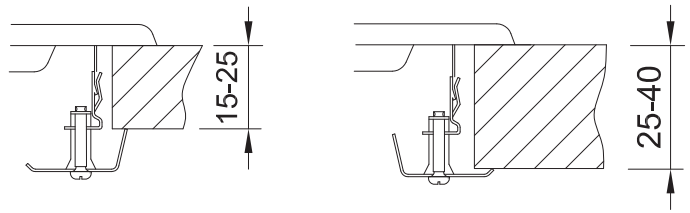


Fig 4.0

-
6. Fit the metal clips (C) into the holes in the sink under frame as shown in Fig 5.0.



Note: For different thicknesses of worktop the clips can be used in a different orientation. Use a cross head screwdriver to loosen and rotate the clips if necessary. Tighten the screws to secure the sink to the worktop.

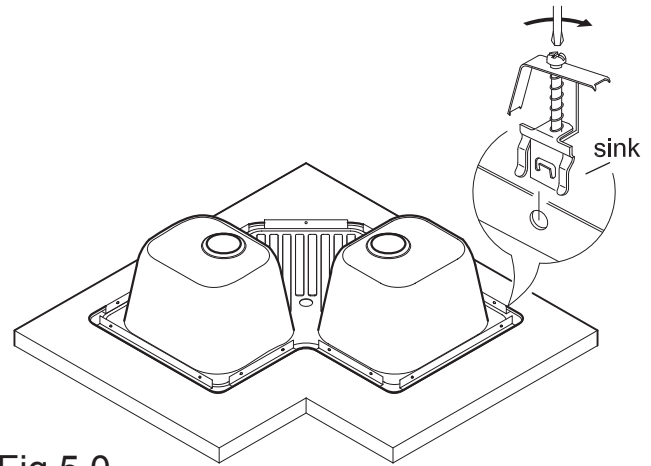


Fig 5.0

7. Installation of strainer & Trap Kit as shown in Fig 6.0.

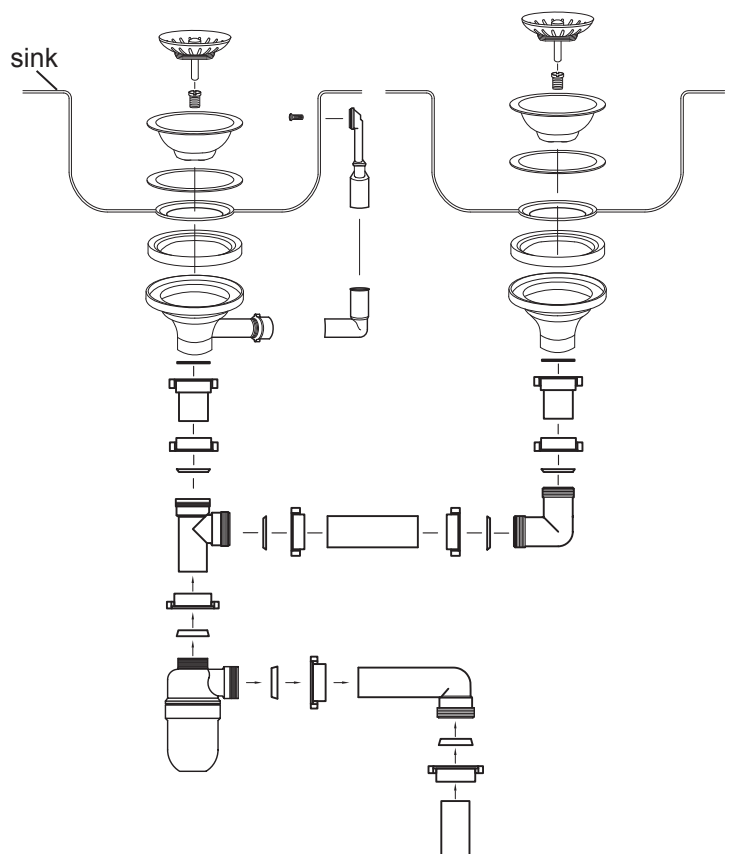


Fig 6.0

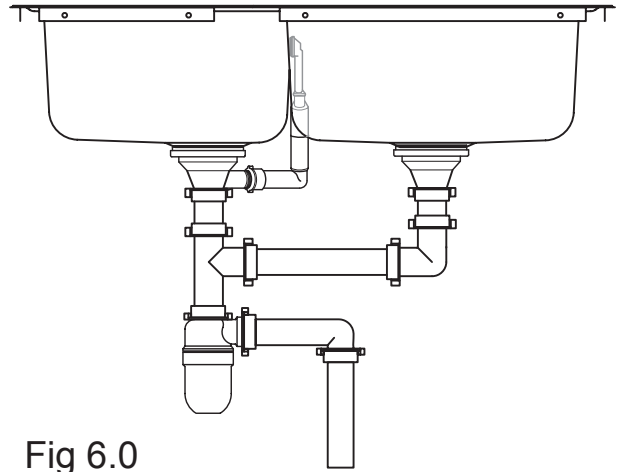
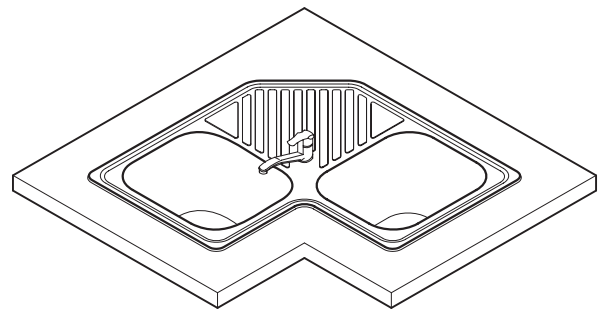


Fig 6.0

8. Finally, seal the edge between sink and worktop with silicone sealant.



Care & Use

- Never use steel wool.
- To remove stubborn stains, use a mild non-scratch formula cleanser and rinse well.
- Hard water may result in a brown or rust coloured stain. If noticed, use a towel to dry your sink after each use.
- Avoid bleaches or household chemicals from coming in contact with your sink. Rinse and wipe dry quickly if this occurs.
- Use a trivet or mat to avoid direct contact of very hot objects to the sink surface.

Conformity with 1935/2004/EEC

CE	
SFD Ltd BA22 8RT	
11	
EN 13310:2003	
Kitchen sink, made of stainless steel	
Cleanability	: Pass
Load Resistance	: N/A
Durability	: Pass