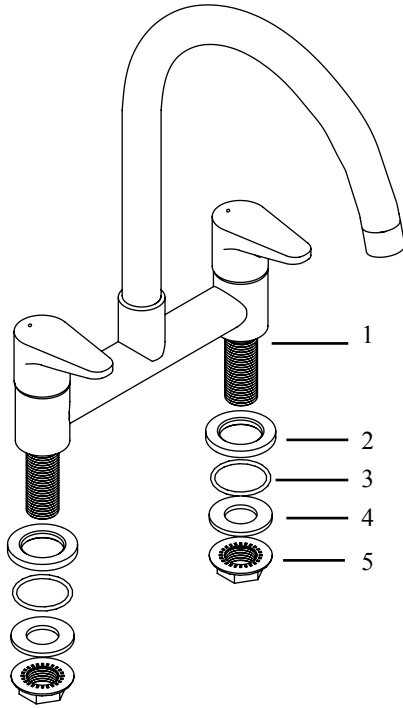




Fitting Instructions

Deck Sink Mixer



PARTS SUPPLIED

ITEM	DESCRIPTION	QTY
1	Tap Body & Spout	1
2	Flange	2
3	Anti-Rotational Washer	2
4	Washer	2
5	Fixing Nut	2

BEFORE YOU START

This tap is suitable for use at water supply pressures of 0.1 bar (min.) to 7bar (max.).

If the tap is installed into a low pressure (tank fed) system, the minimum height from the outlet of the nozzle to the underside of the water tank should be at least 2 metres to ensure adequate performance.

This product must be connected to water supply in accordance with the Water Supply (Water Fittings) Regulations 1999, and also to comply with UK Building Regulations. If you are in any doubt about these requirements, contact a qualified plumber, your local Water Company or the Water Regulations Advisory Service(WRAS).

- Identify all components and check pack contents.
- TURN OFF WATER MAINS SUPPLY. The mains stopcock is usually situated where the supply enters the building.
- It is also recommended that the water heating arrangements are turned off.
- Isolate the hot and cold water supply.

INSTALLATION

- Make sure that Anti-Rotational Washer (3) has been fitted to Flange(2), fit Flange(2) onto threaded legs of the Tap Body (1) and assemble to sink.
- Screw Washer (4) onto threaded inlet legs then screw Fixing Nuts (5) to inlet leg and tighten. DO NOT OVERTIGHTEN.
- Connect Tap Body (1) to water supply using suitable plumbing joints.
- Turn on the mains water supply and re-fill the system. Check immediately for leaks. It is always advisable at this stage to flush out the system. To do this, open both valves fully and allow water to flow for approximately 1 minute. This will remove any foreign matter within the tap body.
- Finally turn on all the water heating arrangements.

AFTER CARE

To maintain the appearance of this fitting, ensure it is cleaned only using a clean soft damp cloth.

A solution of warm water and mild liquid detergent may be used where necessary and then rinsed thoroughly. Abrasive cleaners or acidic cleaners MUST NOT BE USED under any circumstances. Avoid contact with solvents.