

AFTERCARE INSTRUCTIONS

Your fitting has a high quality finish and should be treated with care to preserve the visible surfaces. All surface finishes will wear if not cleaned correctly, the only safe way to clean your mixer is to wipe with a soft damp cloth. Stains can be removed using washing up liquid. All bath cleaning powders and liquids will damage the surface of your fitting - even non-scratch cleaners.

GUARANTEE

All products are manufactured to the highest standards and a 5 year guarantee covers any defect in manufacture.

Note: The 5 year guarantee is invalidated if damaged by waterborne debris.

In the interests of continuous product development we reserve the right to alter specification as necessary.

TELEPHONE NUMBER: 0844 701 6273

PRODUCT CODE: QT SNK C, QT SQSNK C

Bristan Group Ltd
Birch Coppice Business Park
Dordon
Tamworth
Staffordshire
B78 1SG
UK
A Masco Company

Web Site: www.bristan.com

Telephone: 0844 701 6274

Facsimile: 0844 701 6275

Email: enquire@bristan.com

(QT SNK)

(R5)

(SM)

Quadrant Single Flow Sink Mixer

Fitting Instructions & Contents List

**Please keep these instructions for future reference
and request of replacement parts.**

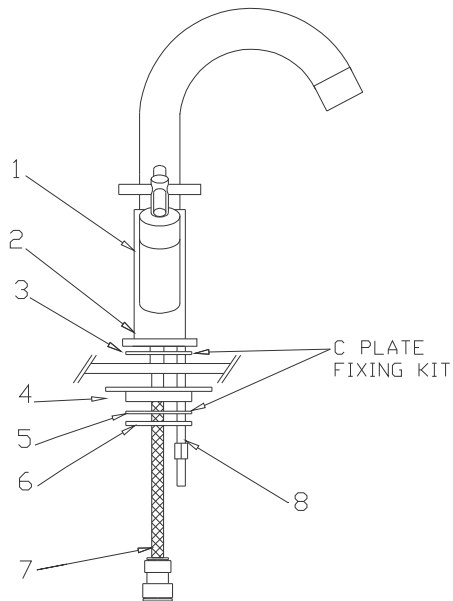
WATER PRESSURE

For optimum use both the hot and cold supplies should be reasonably balanced. The minimum required pressure is 0.3 Bar to ensure adequate performance.

This mixer should be installed in compliance with Water Regulations. Where the supplies are unbalanced, i.e. hot water from the cylinder tank/cold from the mains, approved check valves must be fitted in the supply pipes. For further details contact your Local Water Authority.

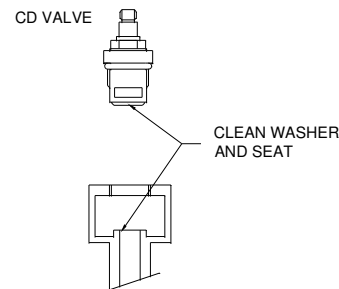
CONTENTS

1. Mixer body	(x1)	5. O-ring	(x1)
2. Plinth	(x1)	6. Metal C plate washer	(x1)
3. O-ring	(x1)	7. Tail pipes	(x2)
4. Fixing bracket	(x1)	8. Nut	(x1)



INSTALA TION

1. Identify all components and check for completeness, particularly before arranging fitting.
2. Fit the mixer to the sink using the 'C' plate fixing kit. The plinth (2) and O-ring (3) go between the fitting and the sink, and the fixing bracket (4) (if required), O-ring (5) and metal washer (6) on the underside of the sink, to be secured by the threaded rod and nut (8).
3. Fit the flexible pipes (7) to the fitting. Connect the hot and cold supplies.
4. Fully open both valves, letting it run for a few minutes to check all joints and connections for leaks.
5. See over the page for aftercare instructions.



MAINTENANCE

If the fitting begins to drip:

1. Turn off the water supply.
2. Unscrew grub screw on the underside of the handle using a hexagonal key, pull off the handle. Unscrew shroud and valve.
3. Carefully clean seating, rubber washer and ceramic disc.
4. Replace valve, shroud and handle. Secure with grub screw, then turn on the water supply.
5. Contact our helpline if problem persists.

Please Note: In the unlikely event you find a part missing please contact our Customer Service Helpline on 0844 701 6273 or email enquire@bristan.com for immediate dispatch of part.