

AFTERCARE INSTRUCTIONS

Your fitting has a high quality finish and should be treated with care to preserve the visible surfaces.

All surface finishes will wear if not cleaned correctly, the only safe way to clean your mixer is to wipe with a soft damp cloth. Stains can be removed using washing up liquid. All bath cleaning powders and liquids will damage the surface of your fitting, even the non-scratch cleaners. **NOTE: Never use abrasive detergents or disinfectants or those containing alcohol, hydrochloric acid or phosphoric acid.**

Bristan recommend E-Cloth for cleaning all of our bathroom & kitchen products. Using just water, E-cloth gives a smear free, deep clean by breaking up and holding dirt, which normal cloths leave behind. Order through your Bristan stockist. (ORDER CODE: ECLOTH)



GUARANTEE

All products are manufactured to the highest standards and a 5 year guarantee covers any defect in manufacture.

All products must have access for servicing or replacement during the life of the product.

In the interests of continuous product development we reserve the right to alter specification as necessary

PRODUCT CODE: AR SNK C

PRODUCT IDENTIFICATION CODE LASER ETCHED ON PRODUCT
Installer please fill in code here _____.(Where applicable)

TELEPHONE HELPLINE: 0844 701 6273

Bristan Group Limited
Birch Coppice Business Park
Dordon
Tamworth
Staffordshire
B78 1SG
UK
A Masco Company
Website: www.bristan.com
Telephone: 0844 701 6274
Facsimile: 0844 701 6275
Email: enquire@bristan.com

BRISTAN

Artisan Sink Mixer (AR SNK C)

Fitting Instructions & Contents List

Please keep these instructions for future reference and request of replacement part

WATER PRESSURE

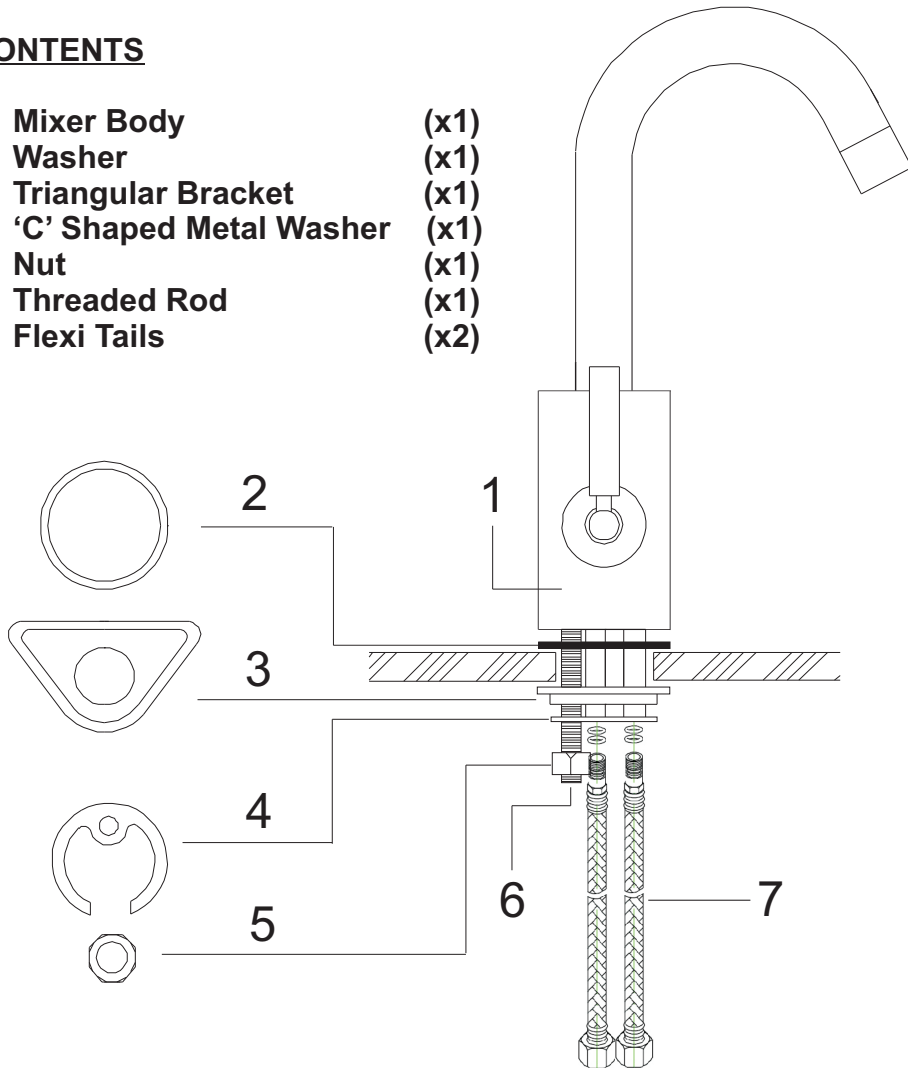
This mixer is suitable for use at all supply pressures. However for optimum use both the hot and cold supplies should be reasonably balanced.

If the fitting is installed at low pressure (tank fed), then the minimum distance from the highest installed position of the shower head to the underside of the cold tank should be 5 metres to ensure adequate shower performance.

Operating Pressures: Min 0.5 bar, Max 8.0 bar.

CONTENTS

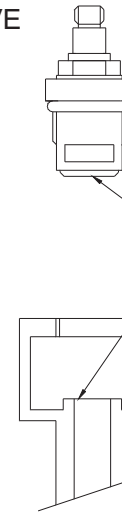
1. Mixer Body (x1)
2. Washer (x1)
3. Triangular Bracket (x1)
4. 'C' Shaped Metal Washer (x1)
5. Nut (x1)
6. Threaded Rod (x1)
7. Flexi Tails (x2)



INSTALLATION

1. Identify all components and check for completeness, particularly before commencing installation.
2. Fit the mixer body to the sink using the 'C' plate fixing kit. Offer the mixer body (1) onto the sink, with the washer (2). The triangular fixing bracket (3) and the metal washer (4) go on the underside of the sink, to be secured by the threaded rod (6) and nut (5).
3. Fit the flexi tail pipes (7) to the fitting and connect the check valve (supplied) To the hot inlet (**DO NOT OVERTIGHTEN**). Connect the hot and cold supplies.
4. Fully open both valves, letting them run for a few minutes to flush out the system and check all joints and connections for leaks.
5. See over the page for aftercare instructions.

CD VALVE



CLEAN WASHER AND SEAT

MAINTENANCE

If the fitting begins to drip:-

1. Turn off the water supply.
2. Remove fitting head and valve.
3. Carefully clean seating and rubber washer.
4. Replace valve and turn on the water supply.
5. Contact our helpline if problem persists.