



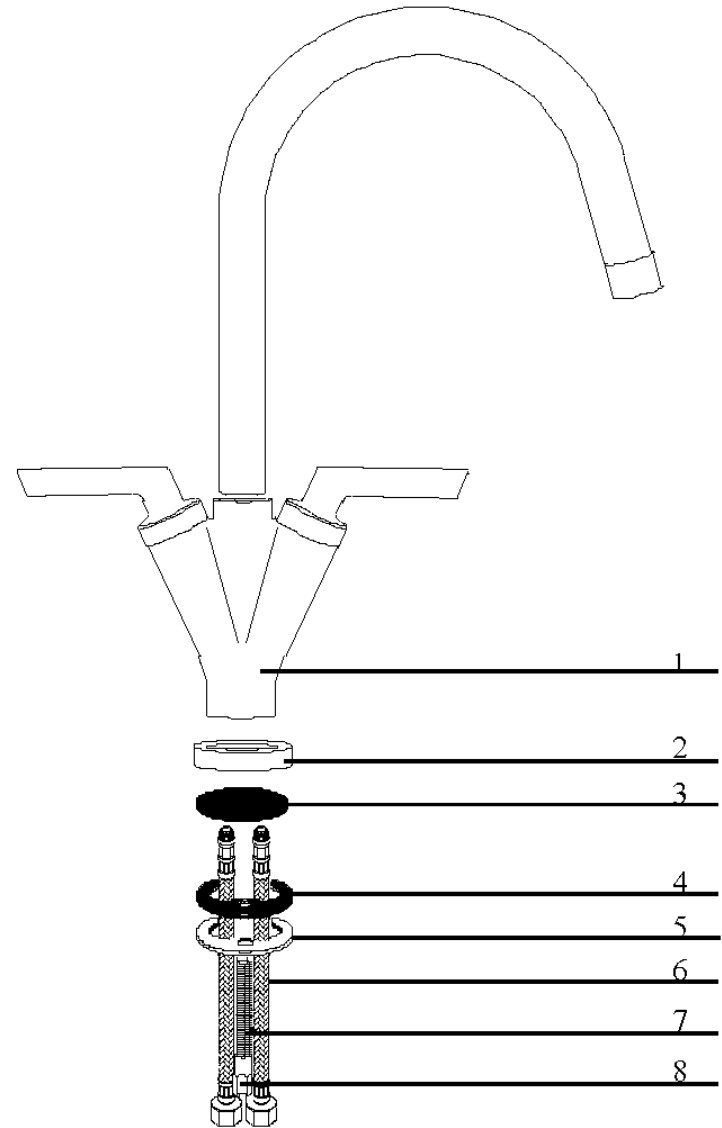
Universal Fitting Instructions Monobloc Sink Mixer

3. Check that Anti-Rotational Washer (3) is fitted to Flange (2). Assemble Flange (2) to Tap Body (1) and locate the tap assembly down through hole in the sink.
4. Fit Rubber Horseshoe Washer (4) onto Threaded Stud (7). Fit Horseshoe Washer (5) onto Threaded Stud (7). Now fit Fixing Nut (8) onto Threaded Stud (7). Tighten using a 12mm spanner. **DO NOT OVERTIGHTEN.**
5. Bend the Braided Connectors (6) as necessary and connect to the water supply using suitable plumbing joints.
6. Turn on the mains water supply and re-fill the system. Check immediately for leaks. It is always advisable at this stage to flush out the system. To do this, open both valves fully and allow water to flow for approximately 1 minute. This will remove any foreign matter within the tap body.
7. Finally turn on all the water heating arrangements.

AFTER CARE

To maintain the appearance of this fitting, ensure it is cleaned only using a clean soft damp cloth.

A solution of warm water and mild liquid detergent may be used where necessary and then rinsed thoroughly. Abrasive cleaners or acidic cleaners **MUST NOT BE USED** under any circumstances. Avoid contact with solvents.



PARTS SUPPLIED

ITEM	DESCRIPTION	QTY
1	Tap Body & Valve	1
2	Flange	1
3	Washer (Anti-Rotational)	1
4	Rubber Horseshoe Washer	1
5	Horseshoe Washer	1
6	Braided Connectors	2
7	Threaded Stud	1
8	Fixing Nut	1

BEFORE YOU START

The hot and cold water supplies must be at balanced pressures. Where the tap is supplied from unbalanced supplies a single check valve (not supplied) or some other no less effective backflow prevention device shall be fitted immediately upstream of both hot and cold water inlets.

If the tap is installed into a low pressure (tank fed) system, the minimum height from the outlet of the nozzle to the underside of the water tank should be at least 1.8 metres to ensure adequate performance.

This product must be connected to the water supply in accordance with the Water Supply (Water Fittings) Regulations 1999, and also to comply with UK Building Regulations. If you are in any doubt about these requirements, contact a qualified plumber, your local Water Company or the Water Regulations Advisory Service (WRAS).

- a. Identify all components and check pack contents.
- b. **TURN OFF WATER MAINS SUPPLY.** The mains stopcock is usually situated where the supply enters the building.
- c. It is also recommended that the water heating arrangements are turned off.
- d. Isolate the hot and cold supply pipes or drain the cold and hot water system. It is recommended to ensure complete drainage, that all taps are open. There is no need to drain the heating system.

INSTALLATION

1. Screw 2 x Braided Connectors (6) into Tap Body(1), care must be taken not to damage the 'O' Ring. Before fitting both Braided Connectors, ensure that the hole in the sink is large enough to allow both Braided Connectors to pass through. It may be necessary to fit one Braided Connector once the tap is in position in the sink.
 2. Fit Threaded Stud (7) by inserting into hole in Tap Body (1) and tightening as far as possible by hand. Use a flat blade screwdriver if required.
-