



# Model 45

## Category Benefits

- Food waste is ground into particles and flushed away in seconds
- Clean, hygienic, convenient and simple to use
- Easy method to manage food waste in the home, saving you time and helping to minimise trips to the outside dustbin
- Permanent in-house solution that is compact and sits under the sink without taking up valuable storage
- Easy to install into new or existing kitchens and can be fitted to most sinks
- Environmentally responsible, helping reduce the amount of waste that goes to landfill sites

## Features

- 1-stage grind technology
- High-torque Dura-Drive™ induction motor
- 2 Year guarantee
- Standard grind chamber
- Continuous feed
- Overload protection
- Quick Lock® mounting assembly for faster, easier installation
- Air switch accessory available

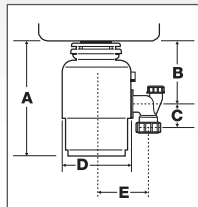
## Sample Specification

Food waste disposer(s) shall be InSinkErator® Model 45 with 1-stage grind technology and .50 hp motor.

**Guarantee:** 2 Year parts and service.

The complete InSinkErator guarantee is included in the Care & Use Booklet packed with each unit.

## Dimensions (mm)



Model 45			
A	318	D	159
B	168	E	131
C	64		

InSinkErator reserves the right to change product specifications without prior notice. The disposer described in this leaflet is for household use: usage in commercial situations is not covered by warranty.

## Specifications

Type of Feed	Continuous
On/Off Control	Wall Switch
Motor	Single Phase
Time Rating	Intermittent
Lubrication	Permanently Lubricated Upper & Lower Bearings
Shipping Weight (Approx.)	7.0 kg
Overall Height	318 mm
Grind Technology	1-Stage Grind Technology

Grind Chamber Capacity	980 ml
Motor Protection	Manual Reset Overload
Average Water Usage	Approximately 4.0 L per Person per Day
Average Electrical Usage	1/2 KWH per Month
Drain Connection	1-1/2" (3.81 cm)
Dishwasher Drain Connection	Yes

Volts/Hz	HP	RPM	Average Load
120V, 60 Hz	.50	1725	7.1 A
220-240V, 50 Hz	.50	1425	370 W
220-240V, 60 Hz	.50	1725	370 W

InSinkErator Division  
Suite 6, Building 6  
Hatters Lane  
Croxley Green Business Park  
Watford HERTS WD18 8YH  
United Kingdom  
Sales Tel: (0) 1923 297 880  
Service Tel: (0) 800 389 3715  
www.insinkerator.co.uk  
PN XXXXX REV A

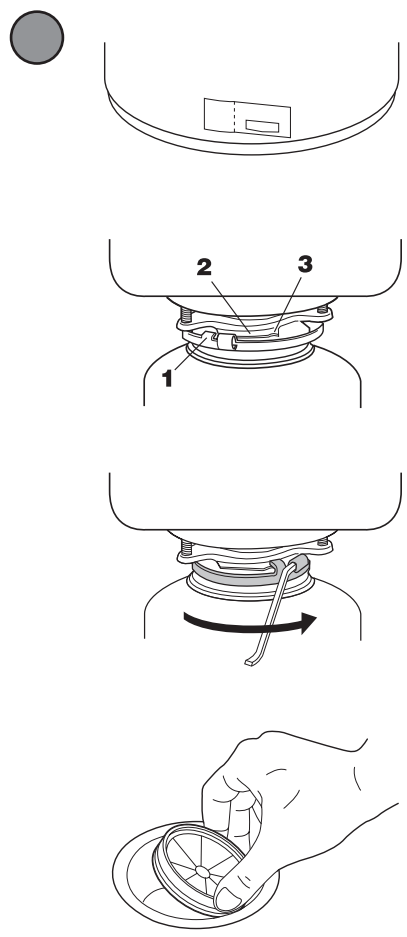
InSinkErator Division  
Emerson Electric Co.  
4700 21st Street  
Racine, WI 53406-5093 USA  
Sales/Service Tel: 262-554-3652  
www.insinkerator.com/worldmap.html



The Emerson logo is a trademark and a service mark of Emerson Electric Co. InSinkErator may make improvements and/or changes in the specifications at any time, in its sole discretion, without notice or obligation and further reserves the right to change or discontinue models.

©2009 InSinkErator, InSinkErator® is a division of Emerson Electric Co. All Rights Reserved.

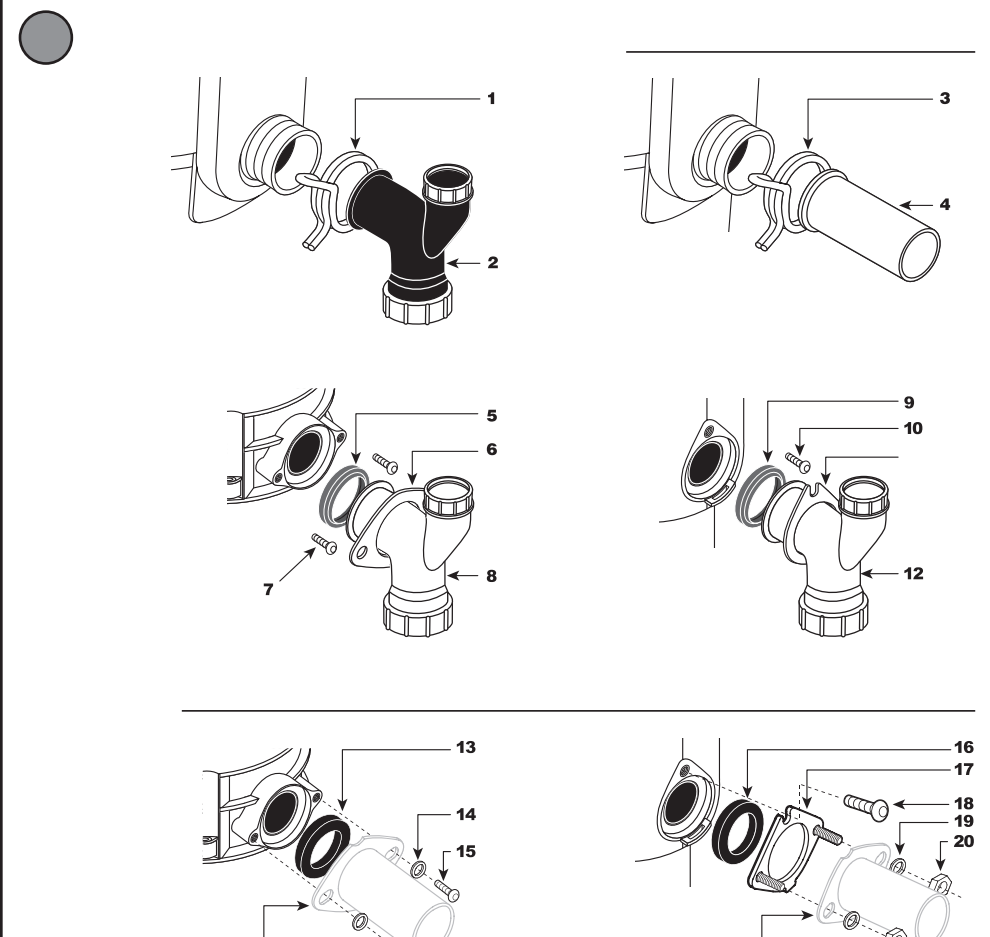
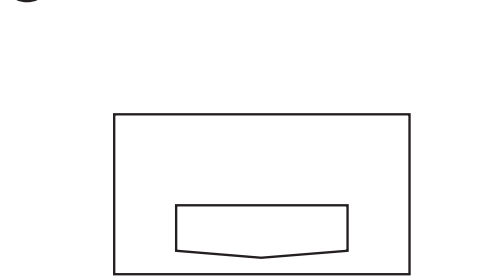




**CAUTION**

Always use the correct burner cap for the burner. If the burner cap is not used correctly, it can cause a gas leak or fire.

**i**

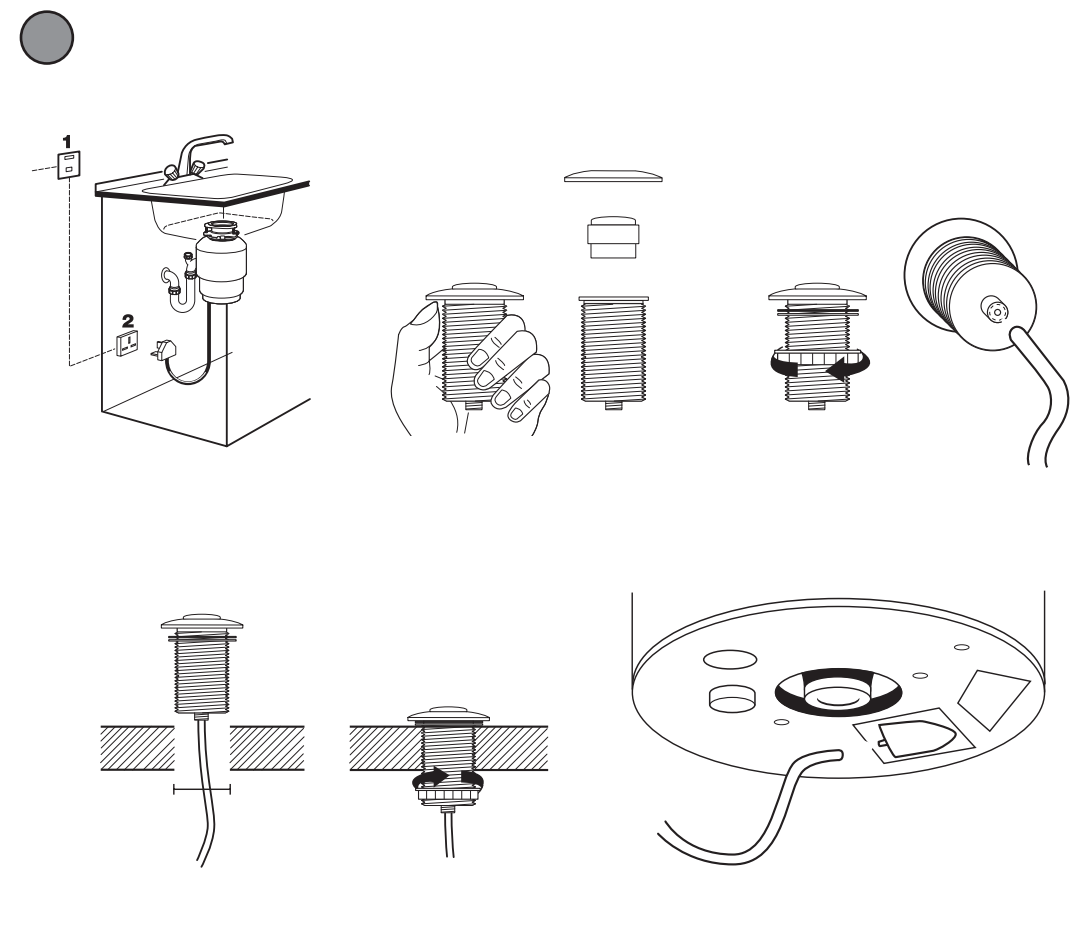


**CAUTION**

Always use the correct gas valve for the burner. If the gas valve is not used correctly, it can cause a gas leak or fire.

Always use the correct gas valve for the burner. If the gas valve is not used correctly, it can cause a gas leak or fire.

Always use the correct gas valve for the burner. If the gas valve is not used correctly, it can cause a gas leak or fire.

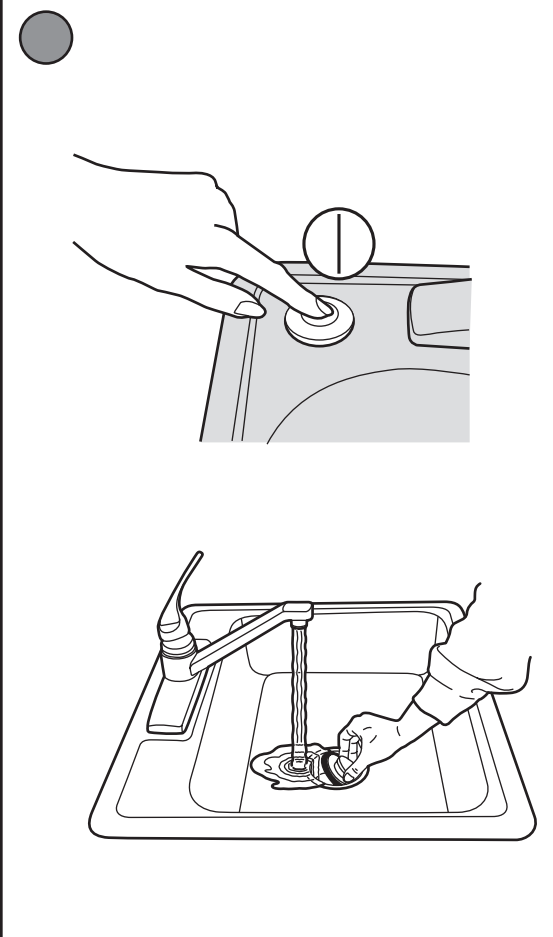


**DANGER**

Always use the correct gas valve for the burner. If the gas valve is not used correctly, it can cause a gas leak or fire.

Always use the correct gas valve for the burner. If the gas valve is not used correctly, it can cause a gas leak or fire.

Always use the correct gas valve for the burner. If the gas valve is not used correctly, it can cause a gas leak or fire.

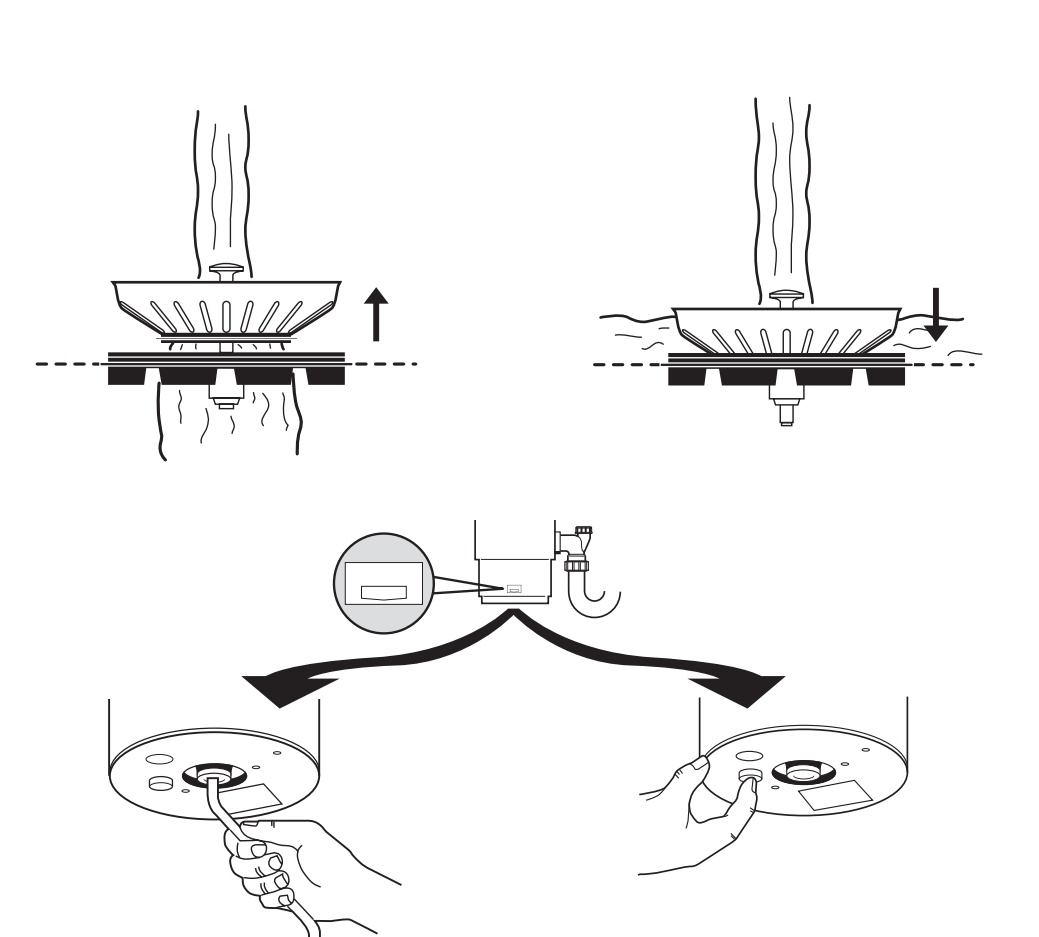


**WARNING**

Always use the correct control knob for the burner. If the control knob is not used correctly, it can cause a gas leak or fire.

Always use the correct control knob for the burner. If the control knob is not used correctly, it can cause a gas leak or fire.

Always use the correct control knob for the burner. If the control knob is not used correctly, it can cause a gas leak or fire.



Always use the correct burner for the burner. If the burner is not used correctly, it can cause a gas leak or fire.

Always use the correct burner for the burner. If the burner is not used correctly, it can cause a gas leak or fire.

Always use the correct burner for the burner. If the burner is not used correctly, it can cause a gas leak or fire.

Always use the correct burner for the burner. If the burner is not used correctly, it can cause a gas leak or fire.