

# BUCKET SINK

G21663N

Floor standing bucket sink manufactured from grade 1.4301 (304) stainless steel, material thickness 1.2mm, with splash back, hinged grating, 38mm BSP waste fitting and complete with integrall wall brackets. The bucket sink is supported on two front legs and is held in position by screwing the two integral wall brackets directly to the wall. Screws and wall plugs are not supplied.

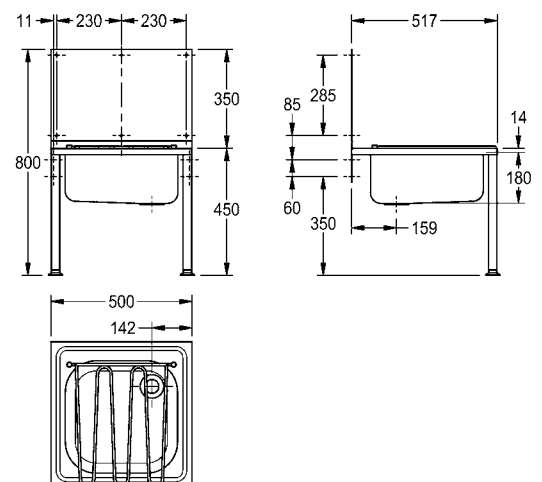
## ARTICLE NUMBER

G21663N

EAN 7612979003512

## TECHNICAL DATA

Material	stainless steel
Material code	1.4301 Chrome Nickel steel V2A
Grid material	stainless steel
Material thickness	1.2 mm
Surface finish	satin finished
Gross weight	10.9 kg
Type of mounting	wall mounting
Waste size	DN 32
Tap ledge	no
Splash back	yes
Grid	fixed
Overall width	500 mm
Overall height	780 mm
Overall depth	517 mm
Bowl - width	400 mm
Bowl - depth	400 mm
Bowl - bowl depth	180 mm
Waste hole position	right back corner
Rear upstand	no



Franke Washroom Systems  
ws-info.uk@franke.com  
www.franke.com

2012-09-04, Franke WS

WASHROOM  
SYSTEMS

**FRANKE**

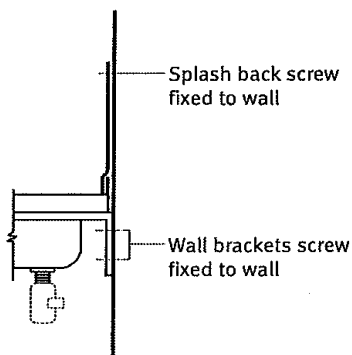
# FRANKE

## WASHROOM SYSTEMS

Franke Sissons Ltd, Carrwood Road, Sheepbridge, Chesterfield, S41 9QB  
Phone: 01246 450255 Fax: 01246 451276 E-mail: ws-info.uk@franke.com

### Fixing Instructions for G21663N Bucket Sink

1. Mark the position of the holes on the wall bracket and feet for fixing. Drill and secure the bucket sink in position using suitable screws for wall and floor surfaces (screws not supplied).
2. Fit the splash back over the upstand of the bucket sink and secure in position through the three holes along the top and bottom edges (screws not supplied)
3. Fit the waste outlet and connect to services using a bottle trap or similar (not supplied).
4. Fit bib taps (not supplied)



**Part end elevation  
showing fixing details**

**NOTE: Stainless steel fasteners  
are recommended**