

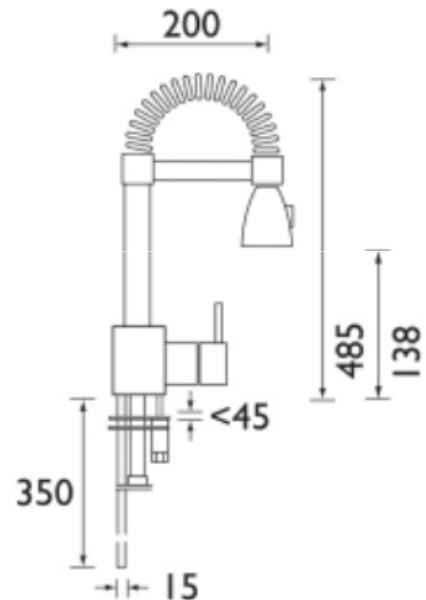
TECHNICAL DATASHEET

TARGET

Target Monobloc Sink Mixer with Pull-Out Spray Chrome Plated

Product Specification

Product Code:	TG SNK C
Finish:	Chrome
Product Type:	Contemporary
Construction:	Body is of brass construction and is designed to conform to BS EN 200
Valve Type:	35mm ceramic disc cartridge
Supply:	Suitable for all plumbing systems, ideally balanced
Inlet Connections:	G½" female ended flexible tail pipes
Working Pressures:	Min 1.0bar, Max 8.0bar



Additional Information

- Chrome plated to BS EN 248
- Supplied with 2 double check valves
- Supplied with an aerator type flow straightener.
- Compatible with the following flow limiters:
(which fit the end of the spout)

ECO BAS3.5
ECO BAS4.5
ECO BAS6

Technical Advice: For further information please call 0844 7016273 or email customer@bristan.com

Guarantee: 5 years covering manufacturing faults.

Compliance / Approvals

WRAS: Manufactured to comply with WRAS

Flow Rates (litres per minute)

System Pressure	1.0bar	1.5bar	2bar	3bar	4bar	5bar
TG SNK C	6.1	7.9	8.8	10.8	12.5	14.0

AFTERCARE INSTRUCTIONS

Your fitting has a high quality finish and should be treated with care to preserve the visible surfaces.

All surface finishes will wear if not cleaned correctly, the only safe way to clean your mixer is to wipe with a soft damp cloth. Stains can be removed using washing up liquid. All bath cleaning powders and liquids will damage the surface of your fitting, even the non-scratch cleaners.

GUARANTEE

All products are manufactured to the highest standards and a 5 year guarantee covers any defect in manufacture

NOTE: The 5-year guarantee on the cartridge is invalidated if damaged by any waterborne debris.

In the interests of continuous product development we reserve the right to alter specification as necessary

PRODUCT CODE: TG SNK C

**PLEASE QUOTE THE ABOVE PRODUCT CODE PROVIDED,
WHICH WILL BE REQUIRED FOR ANY FUTURE
CORRESPONDENCE REGARDING THIS PRODUCT**

PRODUCT IDENTIFICATION CODE LASER ETCHED ON PRODUCT

Installer please fill in code here _____.

TELEPHONE HELPLINE! +44 (0)844 701 6273

Bristan Group Limited
Birch Coppice Business Park
Dordon
Tamworth
Staffordshire
B78 1SG
UK

A Masco Company

Website: www.bristan.com

Telephone: +44 (0) 844 701 6274

Facsimile: +44 (0) 844 701 6275

Email: enquire@bristan.com

BRISTAN

Target Monobloc Kitchen Mixer

Fitting Instructions & Contents List

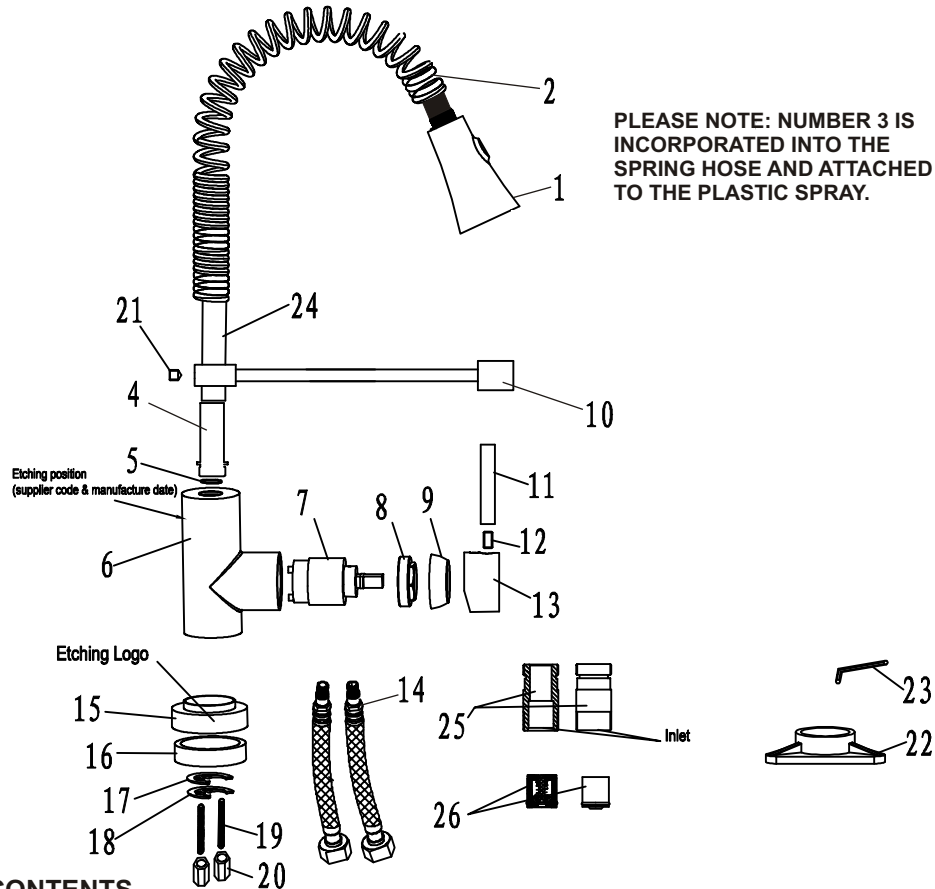
Please keep these instructions for future reference and request of replacement part

WATER PRESSURE

This mixer is suitable for use at pressures of 1.0 bar or more. This mixer should be installed in compliance with Water Regulations.

NOTE: This mixer is supplied with check valves which should be fitted on the hot supply, when the mixer is fitted to unbalanced supplies, to prevent backflow ie. cold water from the mains and hot via a hot water cylinder. To comply with Water Regulations, a further check valve (supplied) must be fitted on the cold supply.

For further details, contact your Local Water Authority.



CONTENTS

- | | | |
|------------------|---------------------|----------------------|
| 1. Plastic Spray | 10. Connecting Pipe | 18. Fixing Plate |
| 2. Spring Hose | 11. Handle Peg | 19. Fixing Studs |
| 4. Adaptor | 12. Hexagon Screw | 20. Fixing Nuts |
| 5. O' ring | 13. Handle Body | 21. Hexagon Screw |
| 6. Body | 14. Flexi Tails | 22. Plastic Spacer |
| 7. Cartridge | 15. Base Plate | 23. Hexagonal Key |
| 8. Retaining Nut | 16. Rubber Washer | 24. Spout Sleeve |
| 9. Shroud | 17. C Rubber Washer | 25. Double Inlet Nut |

26. Check Valve

INSTALLATION

1. Identify all components and check for completeness, particularly before arranging installation.
2. Fit the tap base to the sink with plinth (15) and washer (16) in position. Place the plastic spacer (22) under the sink.
3. Put the C-plate rubber washer (17) and fixing C-plate (18), securing in position with the nuts (20) on the threaded rods (19).
4. Fit the tail pipes (14) to the fitting and the check valves (25 & 26) to both inlets, then connect the hot and cold supplies.
5. Fully open the cartridge letting it run for a few minutes and check all joints for leaks.
6. See over the page for aftercare instructions.

MAINTENANCE

If the fitting begins to drip:

1. Isolate both water supplies.
2. Loosen lever peg (11) and remove hexagon screw (12) below with a 2.5mm hexagonal key.
3. Remove shroud (9) and brass retaining nuts (8) and pull out the cartridge (7) complete with seal.
4. Clean or replace cartridge, clean and grease seal and refit.

Note: That there are locating pins on the bottom of the cartridge that fits in holes inside the tap, to ensure it is fitted the right way round.

5. Refit brass retaining nut and reassemble lever.
6. If problem persists, contact our help line quoting the product code overleaf.

PLEASE NOTE:

In the unlikely event you find a part missing, please contact our Customer Service helpline on **0844 701 6273** for immediate dispatch of part