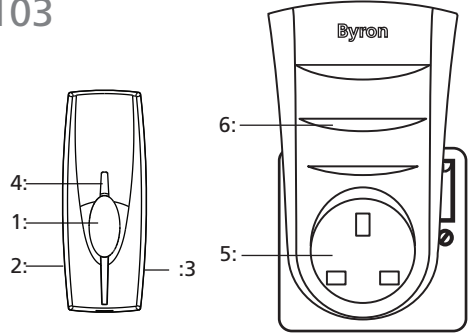


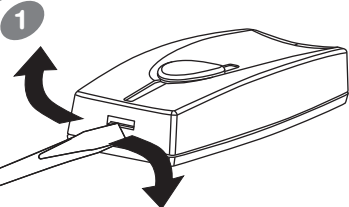
Byron™ Plug-through Wire Free Chime Kit

BY103

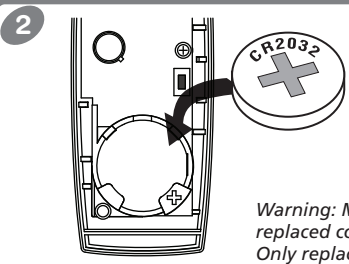


- 1: Push Button
- 2: Melody Selector
- 3: Bell Push Battery
- 4: Signal Sent LED
- 5: Plug-through Chime
- 6: Speaker

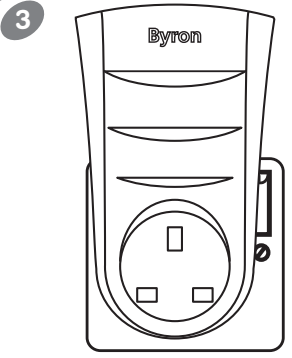
Setup:



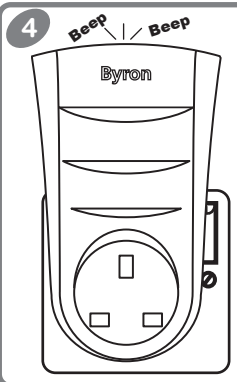
- 1: Place a small flat screwdriver into the locking clip on the base of the Bell Push.
- 2: Gently twist.
- 3: The backing plate will unclip.



- 1: Insert CR2032 battery (Supplied) into the battery holder.
 - 2: Make sure the positive side is facing upwards.
 - 3: Replace back plate.
- Warning: Make sure that the batteries are replaced correctly to avoid battery failure. Only replace with same or equivalent type.*



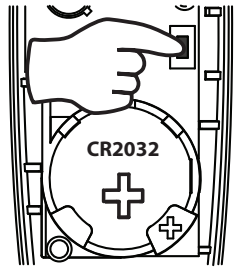
- 1: Plug Chime into a UK 3pin socket, 220 – 240V ~ 50Hz.
- 2: Switch the socket on.



- 4** **Beep Beep**
- Within 60 Sec**
- 1: The Chime will 'Beep Beep'.
 - 2: Press the Bell Push within 60 seconds to learn the Bell Push to the chime.
 - 3: The Chime will ring to confirm setup.
- Note: Maximum of 2 Bell Pushes can be learnt to a single Chime for Front/Back*

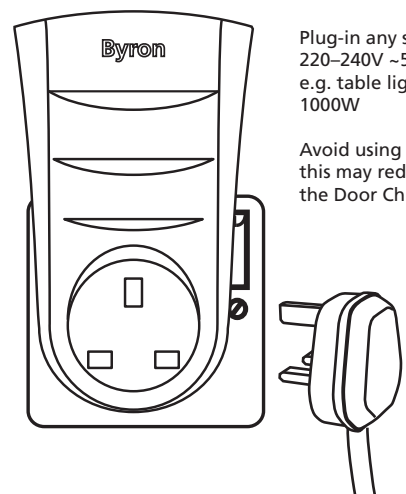
Functions:

Melody selection:



- To select a melody for the Door Chime
- 1: Remove the Back Plate from the Bell Push.
 - 2: Press the Melody Select button.
 - 3: The chime will play the newly selected sound.
 - 4: Press again to select the next melody.
- Note: For Front/Back door setup, select a different melody in one of the Bell Pushes.*
- 4 Selectable Melodies
- 1: Ding Dong (Repeat)
 - 2: Westminster
 - 3: Alarm
 - 4: Ding Dong Ding

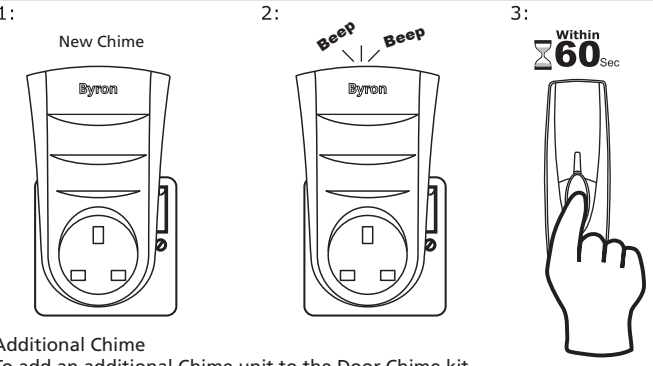
Plug-through Socket:



Plug-in any standard electrical product, 220–240V ~50Hz. e.g. table light, upto a Max Load of 1000W

Avoid using low voltage Transformers, as this may reduce the operating range of the Door Chime

Adding Additional Chime/Bell Push:




- Additional Chime**
To add an additional Chime unit to the Door Chime kit
- 1: Unplug the NEW Door Chime and wait for 10 seconds
 - 2: Plug the Door Chime into the Socket and switch the socket On.
 - 3: The Chime will 'Beep Beep' to indicate that it has entered the Learn mode.
 - 4: Press the Bell Push within 60 seconds, to pair the additional Chime to the Bell Push.
 - 5: Chime will ring to confirm setup, wait 60 seconds for the Chime to exit the learn mode before repressing the Bell Push.

Additional Bell Push

- To add an additional Bell Push to the Door Chime kit
- 1: Unplug the Door Chime and wait for 10 seconds.
 - 2: Plug the Door Chime into the Socket and switch the socket on.
 - 3: Press both Bell Pushes within 60 seconds, to pair the additional Bell Push to the Chime.
 - 4: Chime will ring to confirm setup, wait 60 seconds for Chime to exit the learn mode before repressing the Bell Pushes.
 - 5: For Front/Back door setup, select a different melody in one of the Bell Pushes - See Melody Selection.
- Note: Maximum of 2 Bell Pushes can be learnt to a single Door Chime.*

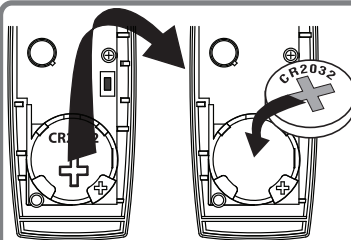


Installation Guide:

- 1**  Avoid locating the Bell Push/Chime on or directly near metallic surfaces as this may reduce the operation range. UPVC Door Frames:
When locating the bell push onto a UPVC door, always check the operating performance before final installation, internal metal frame may affect performance.

Note: Try adjusting the location of the Bell Push to the Left/Right or place on external wall.

Changing Batteries:

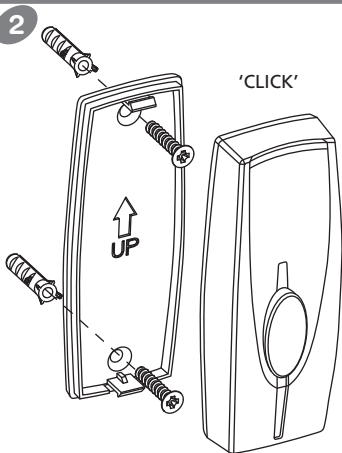


1 x 3V CR2032

Always dispose of old batteries in an environmentally friendly way.

- Bell Push:**
- 1: Remove back plate from the Bell Push.
 - 2: Remove old battery from the holder.
 - 3: Replace with new 'CR2032' 3V battery.
 - 4: Insert into holder making sure '+' is facing up.
 - 5: Test Chime Kit.

Installation Guide: Bell Push



- 1: Using back plate as a template
- 2: Making sure UP arrows points UP.
- 2: Mark and drill holes.
- 3: Insert wall plugs and attach to wall using screws provided.
- 4: Clip the Bell Push on to the back plate making sure the Bell Push 'Clicks' in to place.

Note: The Bell Push can be installed using a suitable double sided adhesive tab or tape when drilling is not suitable.

User Hints:

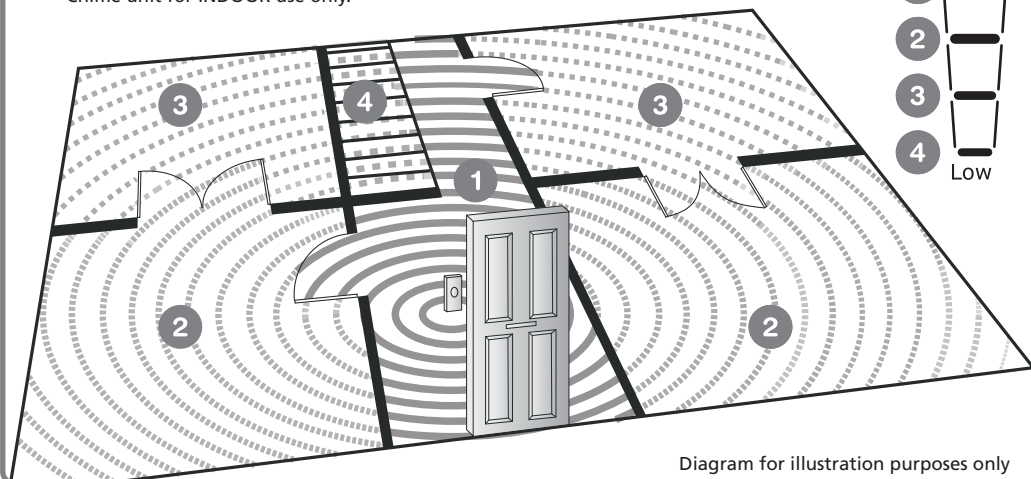
In case of the door chime does not sound, please check the followings:

- a) Flat batteries in either Push Button or Door Chime.
- b) Wrong battery polarity in either Push Button or Door Chime.
- c) For Plug-in Door Chimes make sure the socket is switched on.
- d) Bell Push and Door Chime are not paired together, see setup guide.
- e) Materials in between the Bell Push & Chime will reduce the operating range, move the Door Chime closer to the Bell Push
- f) Wire free devices can be affected by external sources e.g. wire free home alarms or power transformers/adaptor

Type R2 Device - device where the sound output is created by the initial operation of the control and where the period of sound output continues for the designed duration irrespective of condition of the control.

Installation Guide: Chime Unit:

- 3** Place the door Chime within the operating range, transmission of the wire free signal through Walls, Doors and Ceilings etc, may reduce the operating range. Chime unit for INDOOR use only.



IMPORTANT:

There are no serviceable parts, do not repair. The appliance is not to be used by children or persons with reduced physical, sensory or mental capabilities, or lack of experience and knowledge, unless they have been given supervision or instruction. Children should be supervised to ensure that they do not play with the appliance.

Specification



Bell Push: BY30
Power: 1 x CR2032 3V DC Battery (Included)
IP44 Weather Resistant



Plug-through Door Chime: BY103
Power: 220 - 240V 50Hz
Range: 100 Metres
Max Load: 1000W
Indoor Use Only



Tel: 0845 2301231 (UK)

9-5 Mon-Fri, Local call charges apply



support@chbyron.com

http://www.

www.chbyron.com



GB: CH Byron
Byron House,
Sherwood Rd
Astonfields,
Bromsgrove
B60 3DR. UK

| | | | |
|---|-----|-----------|-----|
| Byron | | 433.92MHz | |
| R&TE APPROVED | | | |
| A | IRL | UK | M |
| B | L | BG | N |
| DK | CZ | SK | |
| FIN | NL | EST | SLO |
| F | P | H | CH |
| D | E | IS | PL |
| GR | S | LV | RO |
| LT | | | |
| CH Byron Electrical United Kingdom. www.chbyron.com | | | |

V1.0

Project Manager
Mr G Hunter