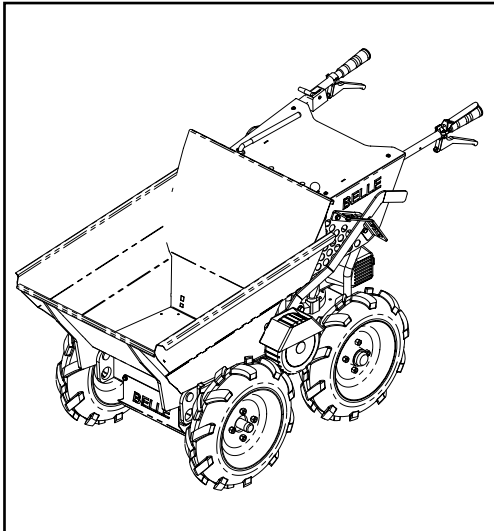




# ***BMD 300***



- Spare Parts Book

11

**EC DECLARATION OF CONFORMITY / DECLARATION CE DE CONFORMITE /  
DECLARACIÓN DE CONFORMIDAD CE / DECLARAÇÃO CE DE CONFORMIDADE /  
EG-VERKLARING VAN OVEREENSTEMMING / EF  
OVERENSSTEMMELSESERKLÆRING**

**(GB)** We, **Belle Group Sheen UK, Sheen, Nr. Buxton, Derbyshire, SK17 0EU, GB**, hereby certify that if the product described within this certificate is bought from an authorised Belle Group dealer within the EEC, it conforms to the following EEC directives: 98/37/EC (This directive is a consolidation of the original machinery directive 89/392/EEC), Electromagnetic Compatibility Directive 89/336/EEC (as amended by 92/31/EEC & 93/68 EEC). The low voltage directive 73/23/EEC, EN 292 Safety of machinery and associated harmonised standards, where applicable. Noise emissions conform to directive 2000/14/EC Annex VI, for machines under article 12 the notified body is **AV Technology Limited, AVTECH house, Birdhall Lane, Cheadle Heath, Stockport, Cheshire, SK3 0XU, GB**.

**(F)** Nous soussignons, **Belle Group Sheen UK, Sheen, Nr Buxton, Derbyshire, SK17 0EU, GB**, certifions que si le produit décrit dans ce certificat est acheté chez un distributeur autorisé Belle Group au sein de la CEE, il est conforme aux normes CEE ci-après: 98/37/CE (Cette norme est une codification des normes de la machine d'origine 89/392/CEE), Norme compatible pour l'électromagnétisme 89/336/CEE (modifié par 92/31/CEE et 93/68/CEE). Caractéristiques basse tension 73/23/CEE, EN 292, Norme de sécurité des machines et des critères associés et configurés, si applicable. Les émissions de bruit sont conformes à la directive 2000/14/EC Annexe VI pour machines, article 12, l'objet mentionné est **AV Technology Mimited, AVTECH House, Birhall Lane, Cheadle Heath, Stockport, Cheshire, SK3 0XU, GB**.

**(E)** La Sociedad, **Belle Group Sheen UK, Sheen, Nr. Buxton, Derbyshire, SK 17 OEU, GB**, por el presente documento certifica que si el producto descrito en este certificado es comprado a un distribuidor autorizado de Belle Group en la CEE, este es conforme a las siguientes directivas: 98/37/CE de la CEE (Esta directiva consolida la directiva inicial sobre maquinaria 89/392/CEE), Directiva 89/336 CEE sobre Compatibilidad Electromagnética (según enmiendas 92/31/CEE y 93/68 CEE), Directiva sobre Bajo Voltaje 73/23/CEE, EN 292 de Seguridad de Maquinaria y Niveles armonizados estándares asociados donde sean aplicables. Emisión de Ruidos conforme a la Directiva 2000/14/CE Anexo VI para máquinas bajo artículo 12 la mencionada unidad está **AV Technology Limited, AVTECH House, Birdhall Lane, Cheadle Heath, Stockport, Cheshire, SK3 0XU, GB**.

**(P)** O signatário, **Belle Group Sheen UK, Sheen, Nr Buxton, Derbyshire, SK 0EU, GB**, pelo presente, declara que se o produto descrito neste certificado foi adquirido a um distribuidor autorizado do Belle Group em qualquer país da UE, está em conformidade com o estabelecido nas seguintes directivas comunitárias: 98/37/EC (esta directiva é uma consolidação da directiva de maquinaria original 89/392/EEC), Directiva de Compatibilidade Electromagnética 89/336/EEC (conforme corrigido pelas 92/31/EEC & 93/68 EEC). A directiva de baixa voltagem 73/23/EEC, EN 292 Segurança da maquinaria e às normas harmonizadas afins se aplicáveis. As emissões de ruído respeitam e estão dentro das directivas para máquinas 2000/14/EC Anexo VI, artigo 12, sendo o organismo notificado **AV Technology Limited, AVTECH house, Birdhall Lane, Cheadle Heath, Stockport, Cheshire, SK3 0XU, GB**.

**(NL)** Ondergetekende, **Belle Group Sheen UK, Sheen, Nr. Buxton, Derbyshire, SK17 OEU, GB**, verklaren hierbij dat als het product zoals beschreven in dit certificaat is gekocht van een erkende Belle Group dealer binnen de EEG, het voldoet aan de volgende EEG richtlijnen: 98/37/EC (Deze richtlijn is een opvolger van de originele Machinerichtlijn 89/392/EEG), Electromagnetische Compatability Richtlijn 89/336/EEG (geamendeerd door 92/31/EEG & 93/68 EEG). De Laagspannings Richtlijn 72/23/EEG, EN 292 Veiligheid van Machines en hieraan gekoppelde geharmoniseerde Standaarden, waar deze van toepassing is. Rumoeer emissions passen voor richtlijn EC Zijgebouw VI, voor toestel onder stuk 12 naar de notified troep zit **AV Technology Limited, AVTECH house, Birdhall Lane, Cheadle Heath, Stockport, Cheshire, SK3 0XU, GB**

**(DK)** Vi, **Belle Group Sheen UK, Sheen, Nr. Buxton, Derbyshire, SK17 0EU, GB**, erklærer hermed, at hvis det i dette certifikat beskrevne produkt er købt hos en autoriseret Belle Group forhandler i EU, er det i overensstemmelse med følgende EØF-direktiver: 98/37/EF, 73/23/EØF (som ændret ved 93/68/EØF), 89/336/EØF (som ændret ved 92/31/EØF), 93/68/EØF og tilknyttede, harmoniserede standarder, hvor relevant. Støjniveauet er i overensstemmelse med direktiv 2000/14/EF, bilag VI gældende for maskiner under paragraf 12. Det bemyndigede organ er **AV Technology Limited, AVTECH house, Birdhall Lane, Cheadle Heath, Stockport, Cheshire, SK3 0XU, Storbritanien**.

PRODUCT TYPE .....	TYPE DE PRODUIT .....	TIPO DE PRODUCTO .....	TIPO DE PRODUTO: .....
MODEL .....	MODELE.....	MODELO .....	MODELO:.....
SERIAL No.....	N° DE SERIE .....	N° DE SERIE .....	NO. DE SÉRIE: .....
DATE OF MANUFACTURE...	DATE DE FABRICATION.....	FECHA DE FABRICACIÓN....	DATA DE FABRIC.....
SOUND POWER LEVEL..... MEASURED (GUARANTEED):	NIVEAU DE ..... PUISSANCE SONORE MESUREE (GARANTIE)	NIVEL DE ..... POTENCIA ACÚSTICA MEDIDO (GARANTIZADO)	NIVEL DE ..... POTÊNCIA DE SOM MEDIDO (GARANTIDO)

PRODUCTTYPE.....	PRODUKTTYPE.....
MODEL .....	MODEL .....
SERIENUMMER .....	SERIENR. ....
FABRICATEDATUM .....	FREMSTILLINGSDATO.....
GEMETEN .....	LYDEFFEKTNIVEAU .....
GELUIDSSTERKTENIVEAU (GEGARANDEERD)	MÅLT (GARANTERET)



Signed by:  
Signature:  
Medido por:  
Assinado por:  
Getekend door:  
Uunderskrevet af:

**Ray Neilson**

Managing Director - On behalf of BELLE GROUP (SHEEN) UK.  
Le Directeur Général - Pour le compte de la SOCIETE BELLE GROUP (SHEEN) UK.  
Director Gerente - En nombre de BELLE GROUP (SHEEN) UK.  
Director-Geral - Em nome de BELLE GROUP (SHEEN) UK.  
Algemeen Directeur - Namens BELLE GROUP (SHEEN) UK.  
Administrerende direktør - På vegne af BELLE GROUP (SHEEN) UK.



# How To Use This Manual

This manual has been written to help you operate and service the BMD Minidumper safely.  
This manual is intended for dealers and operators of the BMD Minidumper.

## Foreword

The '**Environment**' section gives instructions on how to handle the recycling of discarded apparatus in an environmentally friendly way.  
The '**Machine Description**' section helps you to familiarize yourself with the machine's layout and controls.

The '**General Safety**' and '**Health and Safety**' sections explain how to use the machine to ensure your safety and the safety of the general public.

The '**Trouble Shooting**' guide helps you if you have a problem with your machine.


The '**Servicing**' section is to help you with the general maintenance and servicing of your machine.


The '**Warranty**' Section details the nature of the warranty cover and the claims procedure.

The '**Declaration of Conformity**' section shows the standards that the machine has been built to.


## Directives with regard to the notations.

Text in this manual to which special attention must be paid are shown in the following way:

 **CAUTION** The product can be at risk. The machine or yourself can be damaged or injured if procedures are not carried out in the correct way.

 **WARNING** The life of the operator can be at risk.

## WARNING

 **WARNING** Before you operate or carry out any maintenance on this machine YOU MUST READ and STUDY this manual.

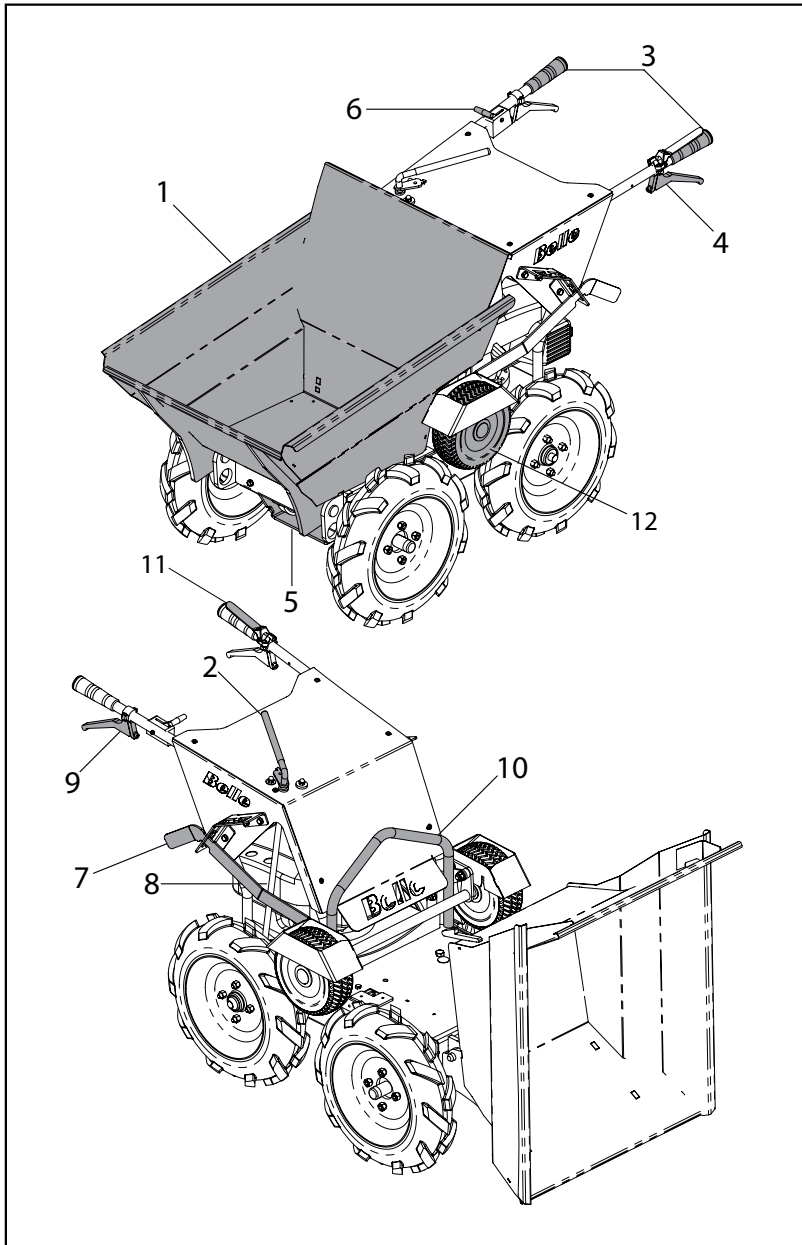
**KNOW** how to safely use the unit's controls and what you must do for safe maintenance. (NB Be sure that you know how to switch the machine off before you switch on, in case you get into difficulty.)

**ALWAYS** wear or use the proper safety items required for your personal protection. If you have **ANY QUESTIONS** about the safe use or maintenance of this unit, ASK YOUR SUPERVISOR OR CONTACT: **BELLE GROUP (UK): +44 (0) 1298 84606**

## Contents

How to use this manual.....	3
Warning .....	3
Machine Description.....	4
Environment .....	4
Technical Data.....	5
General Safety .....	6
Health and Safety.....	6
Pre-Start Checks .....	7
Start and Stop Procedure.....	7
Operating Instructions .....	8
Trouble Shooting Guide .....	8
Service and Maintenance.....	9 - 10
Warranty .....	10
Declaration of Conformity.....	2

*Belle Group reserves the right to change machine specification without prior notice or obligation.*



1. Skip / Bucket.
2. Gear Lever.
3. Operating Handles.
4. Drive Lever.
5. Strapping Points.
6. Throttle Lever.
7. 4-Wheel Drive Engagement Levers.
8. Oil Fill and Dipstick.
9. Skip Release Lever.
10. Lifting Eye.
11. Park Brake Lever
12. Friction Wheel (This engages the 4-wheel Drive option)

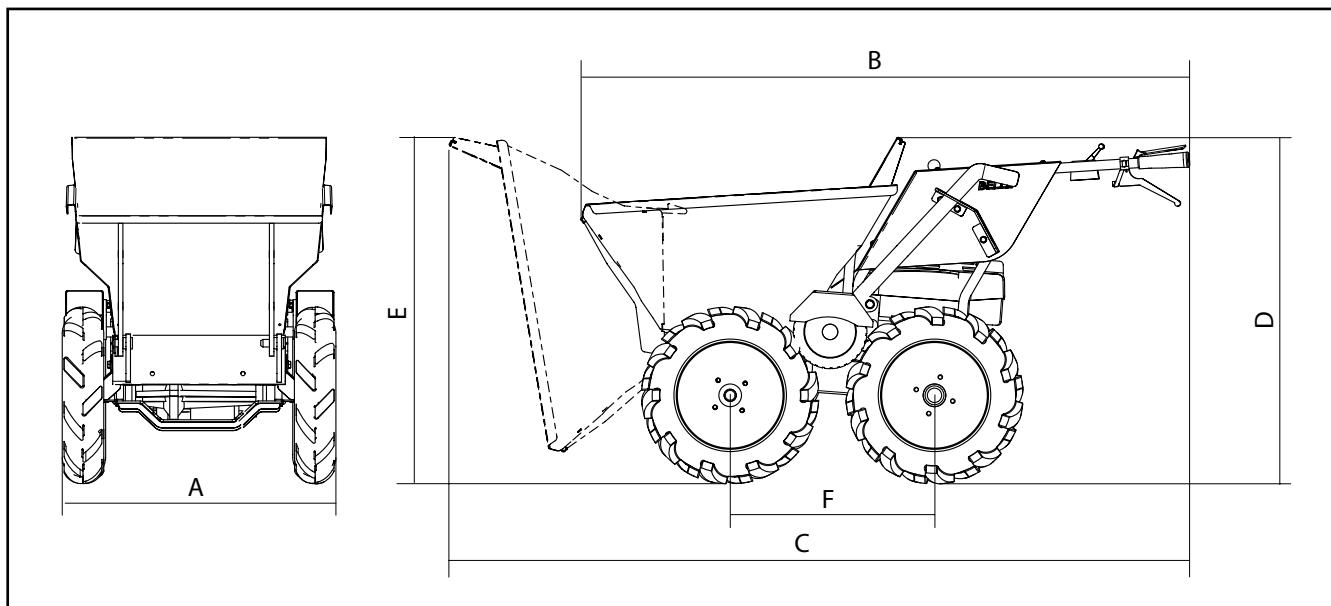
## Environment

### Safe Disposal.



Instructions for the protection of the environment.  
The machine contains valuable materials. Take the discarded apparatus and accessories to the relevant recycling facilities.

Component	Material.
Handle	Steel
Hand Grips	Rubber
Chassis	Steel
Engine	Aluminium and Steel
Gearbox	Aluminium, Steel and Phosphor Bronze
Skip	Steel
Various Parts	Steel and Rubber



	<b>BMD 300</b>
A - Machine Width (mm)	716
B - Machine Length (mm)	1588
C - Machine Length During Tipping (mm)	1957
D - Machine Height (mm)	925
E - Machine Height During Tipping (mm)	859
F - Wheel Base	528
Engine Model	Honda GXV160 (5.5Hp)
Engine Type	Unleaded Petrol
Maximum Engine RPM	3000
Maximum Travel Speed - Forward (Km/h)	6
Maximum Travel Speed - Reverse (Km/h)	2.6
Skip Capacity - Fill Volume (Ltr)	113
Skip Capacity - Heaped Volume (Ltr)	134
Tyre Pressure (PSI / Bar)	30 / 2.1
Tyre Size (in)	4.00 x 10
Tyre Pressure - Friction Wheel (PSI / Bar)	35 / 2.4
Tyre Size - Friction Wheel (in)	9 x 3.5 -4
Machine Weight (kg)	155
Maximum Axle Weight (kg)	300
Maximum Uphill Gradient	20°
Maximum Downhill Gradient	20°
Noise Level (dB(A))	101

# General Safety



For your own personal protection and for the safety of those around you, please read and ensure you fully understand the following safety information. It is the responsibility of the operator to ensure that he/she fully understands how to operate this equipment safely. If you are unsure about the safe and correct use of the BMD Minidumper, consult your supervisor or Belle Group.



## **WARNING**

Improper maintenance can be hazardous. Read and Understand this section before you perform any maintenance, service or repairs.

- This equipment is heavy and must not be lifted single-handedly, **GET HELP** and use suitable lifting equipment.
- Cordon off the work area and keep members of the public and unauthorized personnel at a safe distance.
- Personal Protective Equipment (PPE) must be worn by the operator when ever this equipment is being used (see Health & Safety).
- Make sure you know how to safely switch this machine **OFF** before you switch it **ON** in case you get into difficulty.
- Always switch **OFF** the engine before transporting, moving it around the site or servicing it.
- During use the engine becomes very hot, allow the engine to cool before touching it. Never leave the engine running and unattended.
- Never remove or tamper with any guards fitted, they are there for your protection. Always check guards for condition and security, if any are damaged or missing, **DO NOT USE THE BMD MINIDUMPER** until the guard has been replaced or repaired.
- Do not operate the machine when you are ill, feeling tired, or when under the influence of alcohol or drugs.
- Do not stand the machine on end with the engine running.
- Do not use the BMD Minidumper to transport people.
- Do not release the brake suddenly when travelling forward at speed with a heavy load as the machine may topple forward.
- When travelling downhill, engage the reverse gear with the clutch lever fully engaged and parking brake lever pressed down (brake off). Close the throttle if necessary so that engine braking controls the speed.
- Always ensure that when moving downwards on a hill, the machine is travelling in reverse.

## Fuel Safety



## **WARNING**

Petrol is flammable. It may cause injury and property damage. Shut down the engine, extinguish all open flames and do not smoke while filling the fuel tank. Always wipe up any spilled fuel.

- Before refuelling, switch off the engine and allow it to cool.
- When refuelling, **DO NOT** smoke or allow naked flames in the area.
- Spilt fuel must be made safe immediately, by using sand. If fuel is spilt on your clothes, change them.
- Store petrol in an approved, purpose made container away from heat and ignition sources.
- If fuel is spilt when re-fuelling the tank, wipe off the excess and wait 2 minutes before re-starting.

# Health And Safety



## Vibration.

Some vibration from the operation is transmitted through the handle to the operator's hands. **DO NOT** exceed the maximum usage times. (See Technical Data section)

## PPE (Personal Protective Equipment).

Suitable PPE must be worn when using this equipment i.e. Safety Goggles, Gloves, Ear Defenders, Dust Mask and Steel Toe capped footwear. Wear clothing suitable for the work you are doing. Tie back long hair and remove any jewellery which may catch in the equipment's moving parts.

## Petrol Machines.

Fuel.

Do not ingest fuel or inhale fuel vapours and avoid contact with your skin. Wash fuel splashes immediately. If you get fuel in your eyes, irrigate with copious amounts of water and seek medical attention as soon as possible.

## Exhaust Fumes



## **WARNING**

The exhaust fumes produced by this equipment are highly toxic and can kill!

Do not operate the BMD Minidumper indoors or in a confined space, make sure the work area is adequately ventilated.



## Pre-start Checks

### Pre start-up inspection.

The following Pre-start-up inspection must be performed before the start of each work session or after every four hours of use, whichever is first. Please refer to the service section for detailed guidance. If any fault is discovered, the BMD Minidumper must not be used until the fault is rectified.

1. Thoroughly inspect the BMD Minidumper for signs of damage. Check components are present and secure.
2. Check fluid lines, hoses filler openings, drain plugs and any other areas for signs of leakage. Fix any leaks before operating.
3. Check the engine oil level and top up as necessary.
4. Check the engine fuel level and top up as necessary.
5. Check for fuel and oil leaks.



## Start and Stop Procedure

### Honda GXV 160 Petrol Engine

#### Starting

1. Turn the fuel shut off valve to the ON position.
2. Move the throttle control to the choke position. Do not use the choke when the engine is warm. Move the throttle control slightly Maximum RPM (Hare) position.
3. Pull the starter grip lightly until resistance is felt, then pull briskly.  
NOTE:- Do not allow the starter grip to snap back against the engine. Return it gently to prevent damage to the starter.
4. If the choke was used to start the engine, move the throttle to the fast (or high) position as soon as the engine warms up enough to run smoothly without use of the choke.

#### Throttle Lever

5. Position the throttle control for the desired engine speed. For best engine performance, it is recommended that the engine be operated with the throttle in the fast (or high) position.



#### **CAUTION**

For safety reasons, the maximum operating speed must be adjusted with a special tool. Please consult your authorised Honda dealer for this operation.

6. Using a tachometer, check the engine speed. If you can't obtain the top no load engine speed specified, consult your Honda dealer.

#### Stopping

7. Move the throttle control to the stop position. The fuel cock will automatically turn off.
8. When the engine has stopped, turn the fuel valve to the OFF position if you do not intend to restart the engine soon.

## Gear Selection Options

- 1st Gear = Climbing steep slopes, steps or ramps.
- 2nd Gear = Climbing slopes.
- 3rd Gear = Travelling on level ground when laden.
- 4th Gear = Travelling on level ground when unladen.

## Operating the BMD Minidumper

1. Start the engine.
2. With the engine running, select the gear by turning the Gear Lever (2) to the desired position.
3. Release the brake by pressing the red Park Brake Lever (11) down towards the operating handle and pull the Drive Lever (4) upwards to engage drive. The machine will now begin to move.
4. Once the machine is moving the throttle can be opened or closed to increase or decrease the speed of the machine. (If more speed is required, follow steps 2, 3 and 4 but select a higher gear than is currently in use)

**NOTE:** The gears cannot be altered whilst the machine is in motion.



### **CAUTION**

If it is necessary to travel down a slope of more than 15° when fully laden, ensure that the machine is turned round and reverse down the slope.

## Emptying the Skip

1. Stop the machine by releasing the Drive Lever (4) followed by releasing the red Park Brake Lever (11).
2. Once the machine has become stationary compress the Skip Release Lever (9) and slightly lift-up the rear of the machine. The Skip (1) will tip forwards disposing of its contents.
3. When the Skip (1) is empty, push back to its original position. The Skip (1) will lock into place automatically.

**Note:** The numbers shown in brackets above refer to the pictures shown in the Machine Description section of the booklet.

# Troubleshooting Guide

Problem	Cause	Remedy
Engine will not start.	No fuel getting to engine.	Open fuel tap.
		Fill fuel tank.
	Engine switched off.	Switch engine on.
	Spark plug fouled.	Clean, check and reset plug gap.
	Engine cold.	Close choke.
	Engine flooded.	Open choke, fully open throttle, pull recoil starter until engine fires.
	Cutout switch wire	Reconnect disconnected wire.
BMD Minidumper does not move whilst engine is running.	Gear is not properly selected.	Ensure Gear Lever is not in-between two different gears.
	Drive Belt is not tight enough.	Tighten Drive Belt
Front wheels are spinning whilst 4-wheel drive is engaged.	Under inflated tyres.	Inflate tyres to 30 psi.



## Gearbox Oil

There should be no maintenance required as this is a sealed Gearbox. If there are any signs of leakage, stop using the machine and contact your local dealer or the Belle Group.

## Machine Cleaning

Clean the machine after it has been used to prevent the collection of hardened debris. Hardened debris is very difficult to remove. To clean it use an old brush or hand brush with water.

**Note:** Never pressure wash or hose down the engine. Clean only with a cloth or compressed air.

## Park Brake

The Parking Brake operates automatically when the red Parking Brake Lever is in the upright position. A spring holds the brake on until the lever is compressed to release it. Correct adjustment is critical. If the brake cable is too tight the brake spring will not be applying full pressure to the brake arm. If the brake cable is too slack, the brake may not release correctly when the lever is depressed and the brake will drag causing overheating and wear to the brake pads and damage to the gearbox.

## Air Filter

If it is dirty, proceed as follows:-

*Foam Element* - Wash the element in a solution of washing-up liquid and water. Allow the element to dry, then soak in clean engine oil and squeeze out the excess oil. If the engine smokes during start-up then too much oil has been left on the foam.

*Paper Element* - Tap the element on a hard surface or blow from inside using compressed air to remove any excess dust within the filter. Replace every 200 hours or if it is extremely dirty.

Routine Maintenance		Every 20 hours	Every 50 Hours	Every 75 Hours	Every 200 Hours
Engine Oil	Change	✓			
Air Filter	Check Condition		✓		
	Clean / Replace				✓
Spark Plug	Change				✓

## Oil / Fuel Type & Quantity - Spark Plug Type

	Oil type	Quantity (Litre)	Fuel Type	Capacity (Litre)	Spark Plug Type	Electrode Gap (mm)
<b>Petrol Honda GXV160</b>	S.A.E. 10W 30	0.65	Unleaded	2.0	BPR5ES	0.7 - 0.8

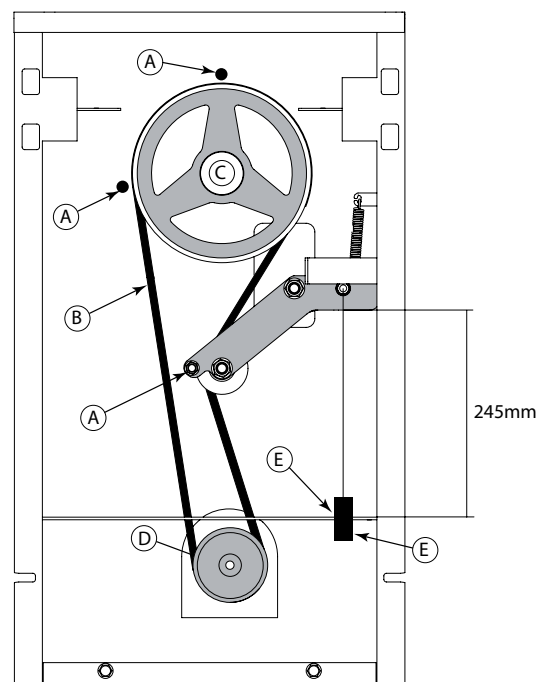
**Note:** Remove all Oil and Fuel before tipping the machine over.

## Belt Removal (On Machines Up To Serial No. 141778)

1. Remove the 6 x M8 Bolts from the Sump Guard and then remove the Sump Guard from the machine.
2. Remove 3 X Bolts (A). This will allow you to remove the Belt (B).  
NOTE:- Ensure the Belt is removed from the Engine pulley (D) first.

## Belt Fitting (On Machines Up To Serial No. 141778)

1. Place the Belt (B) onto the transmission pulley (C), and then onto the engine pulley (D).
2. Ensure the Belt (B) runs on the outside of the Clutch Tensioning Arm. (See the diagram on the right to see the route of the Belt (B))
3. Add Bolt (A) to the Clutch Tensioning Arm and tighten so that the arm is 245mm from the Cross Plate (See the diagram on the right). If adjustment is required, tweak the 2 Nuts (E) until correct distance is achieved.
4. Attach the Sump Guard using the 6 x M8 Bolts to a torque setting of 28Nm.



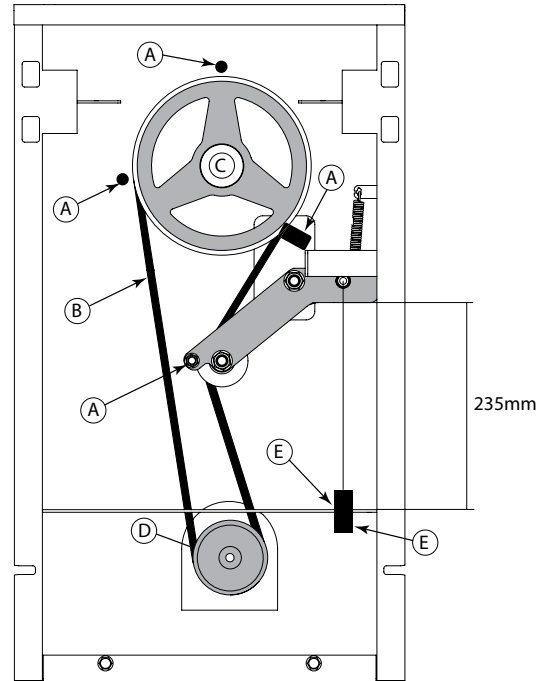
**Note:** Remove all Oil and Fuel before tipping the machine over.

## Belt Removal (On Machines From Serial No. 141779)

1. Remove the 6 x M8 Bolts from the Sump Guard and then remove the Sump Guard from the machine.
2. Remove 4 X Bolts (A). This will allow you to remove the Belt (B).  
NOTE:- Ensure the Belt is removed from the Engine pulley (D) first.

## Belt Fitting (On Machines From Serial No. 141779)

1. Place the Belt (B) onto the transmission pulley (C), and then onto the engine pulley (D).
2. Ensure the Belt (B) runs on the outside of the Clutch Tensioning Arm. (See the diagram on the right to see the route of the Belt (B))
3. Add Bolt (A) to the Clutch Tensioning Arm and tighten so that the arm is 235mm from the Cross Plate (See the diagram on the right).  
If adjustment is required, tweak the 2 Nuts (E) until correct distance is achieved.
4. Attach the Sump Guard using the 6 x M8 Bolts to a torque setting of 28Nm.



# Warranty

Your new Belle Group 'BMD' Minidumper is warranted to the original purchaser for a period of one-year (12 months) from the original date of purchase. The Belle Group warranty is against defects in design, materials and workmanship.

The following are not covered under the Belle Group warranty:

1. Damage caused by abuse, misuse, dropping or other similar damage caused by or as a result of failure to follow assembly, operation or user maintenance instructions.
2. Alterations, additions or repairs carried out by persons other than Belle Group or their recognised agents.
3. Transportation or shipment costs to and from Belle Group or their recognised agents, for repair or assessment against a warranty claim, on any machine.
4. Materials and/or labour costs to renew, repair or replace components due to fair wear and tear.

The following components are not covered by warranty.

- Drivebelt/s
- Engine air filter
- Engine spark plug

Belle Group and/or their recognised agents, directors, employees or insurers will not be held liable for consequential or other damages, losses or expenses in connection with or by reason of or the inability to use the machine for any purpose.

### Warranty Claims

All warranty claims should firstly be directed to Belle Group, either by telephone, by Fax, by Email, or in writing.

For warranty claims:

Tel: +44 (0)1538 380000

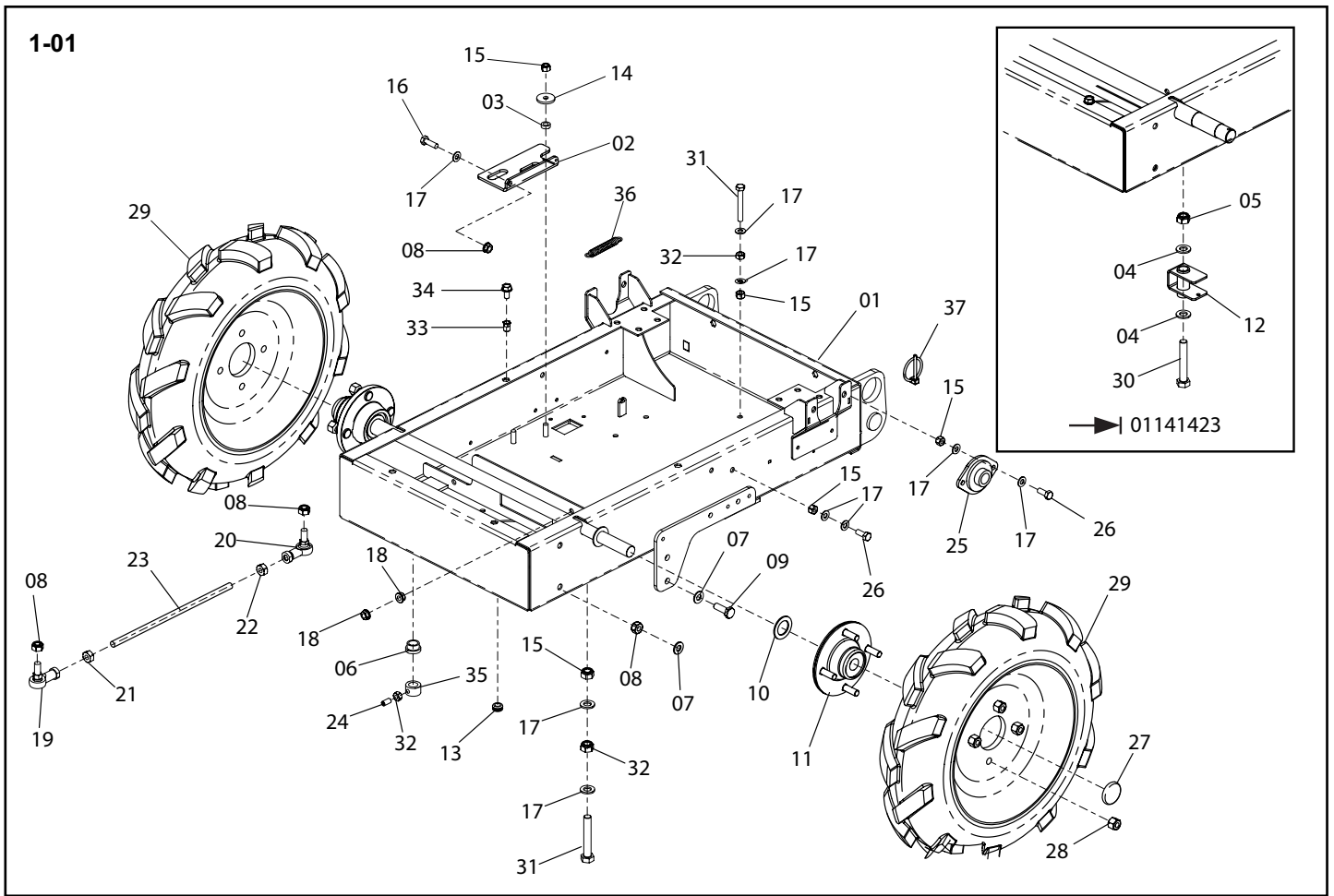
Fax: +44 (0)1538 380038

Email : [Warranty@belle-group.co.uk](mailto:Warranty@belle-group.co.uk)

Write to:

Belle Group Warranty Department,  
Unit 5, Bode Business Park,  
Ball Haye Green,  
Leek,  
Staffordshire, ST13 6BW  
England.

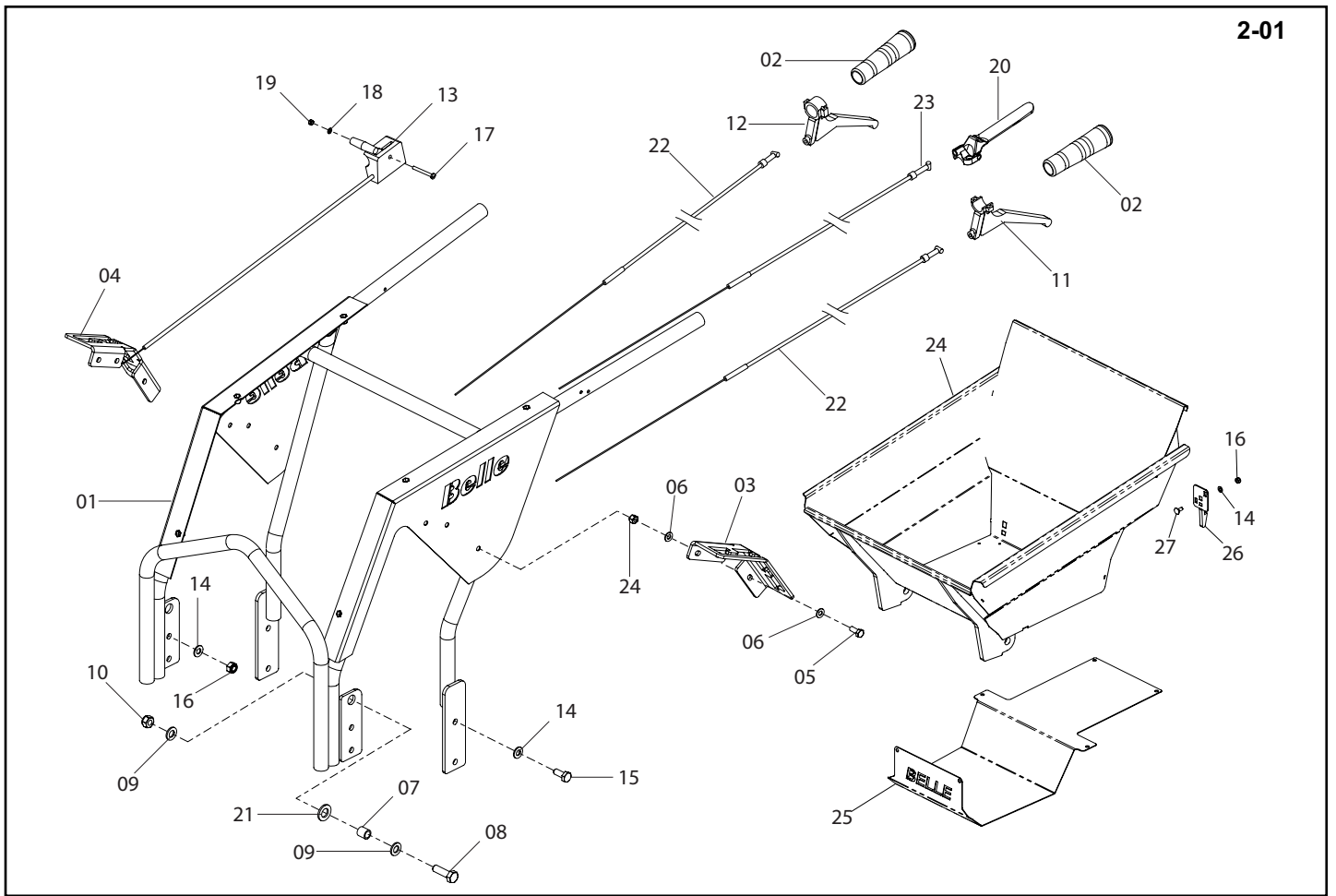
1-01



Chassis, Châssis, Chasis, Chassis

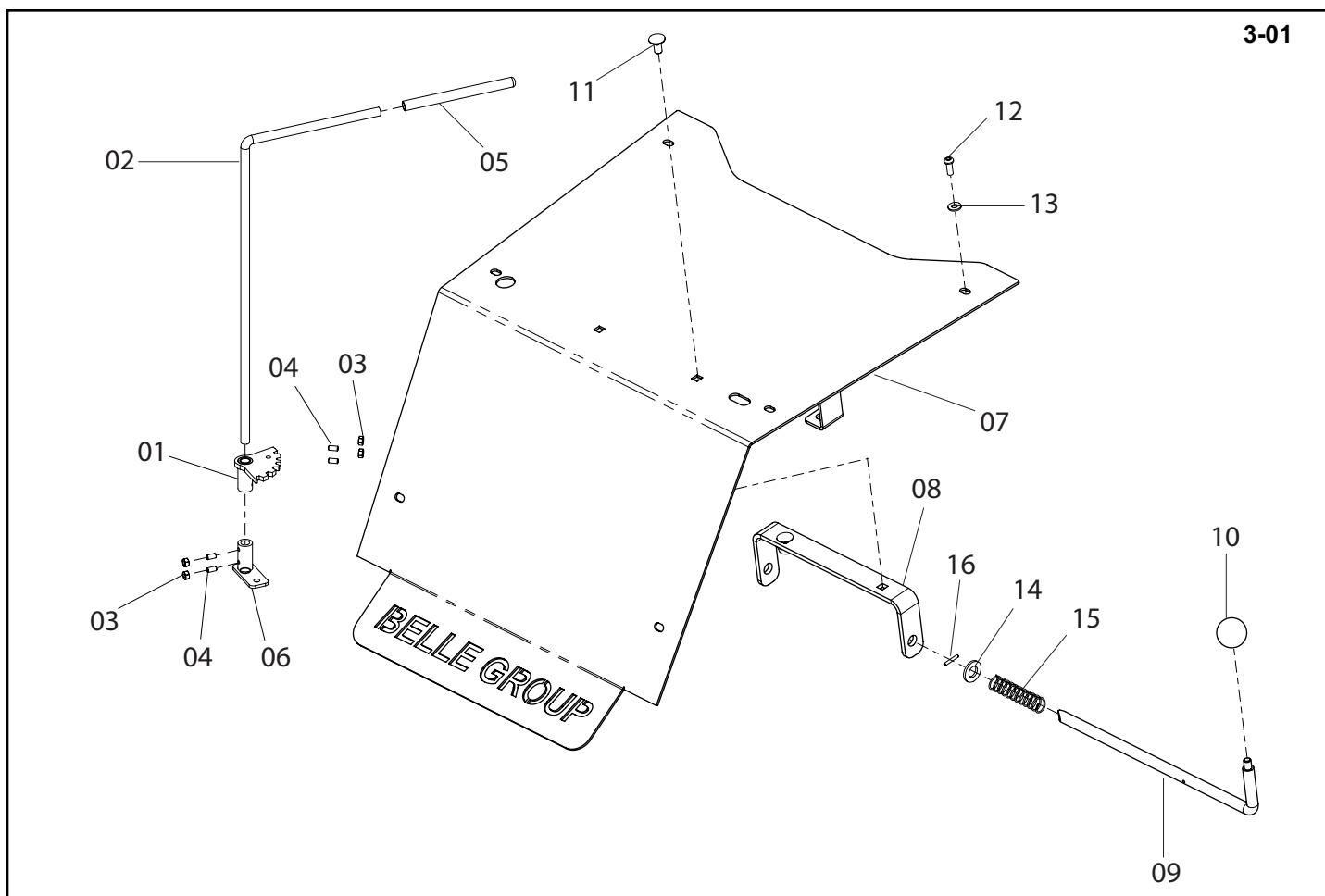
1-01

1	961-03100.....	Chassis.....	Châssis.....	Chasis.....	Chassis.....	→ 141778.....	1
1	961-03000.....	Chassis.....	Châssis.....	Chasis.....	Chassis.....	→ 141779.....	1
2	961-99906.....	Bracket.....	Patte de Montage.....	Escuadra.....	Suporte.....		1
3	961-99916.....	Spacer.....	Entretoise.....	Espaciador.....	Espaçador.....		2
4	4-1204.....	Washer.....	Rondelle.....	Arandela.....	Anilha.....	M12.....	4
5	8-12006.....	Nut.....	Ecrou.....	Tuerca.....	Porca.....	M12.....	3
6	961-99914.....	Bush.....	Douille.....	Buje.....	Bucha.....		1
7	4-1005.....	Washer.....	Rondelle.....	Arandela.....	Anilha.....	M10.....	8
8	8-10006.....	Nut.....	Ecrou.....	Tuerca.....	Porca.....	M10.....	6
9	9-10001.....	Bolt.....	Boulon.....	Perno.....	Perno.....	M10 X 30.....	4
10	961-99918.....	Spacer.....	Entretoise.....	Espaciador.....	Espaçador.....		2
11	961-99941.....	Wheel Hub.....	Moyeu.....	Cubo Reductor.....	Cubo da Roda.....		2
12	961-00900.....	Linkage.....	Connexion.....	Conexión.....	Ligação.....		1
13	3-3009.....	Grommet.....	Passe-fil.....	Ojal.....	Anel Isolante.....		3
14	05.3.062.....	Washer.....	Rondelle.....	Arandela.....	Anilha.....	M8.....	2
15	8-8008.....	Nut.....	Ecrou.....	Tuerca.....	Porca.....	M8.....	15
16	7-8060.....	Bolt.....	Boulon.....	Perno.....	Perno.....	M8 X 20.....	2
17	4-8006.....	Washer.....	Rondelle.....	Arandela.....	Anilha.....	M8.....	22
18	8-8020.....	Nut.....	Ecrou.....	Tuerca.....	Porca.....		8
19	3-5026.....	Elbow.....	Coude.....	Codo.....	Canto.....	M10.....	1
20	3-5027.....	Elbow.....	Coude.....	Codo.....	Canto.....	M10.....	1
21	8-10003.....	Nut.....	Ecrou.....	Tuerca.....	Porca.....	M10.....	1
22	8-10013.....	Nut.....	Ecrou.....	Tuerca.....	Porca.....	M10.....	1
23	961-99933.....	Rod.....	Tige.....	Varilla.....	Biela.....		1
24	7-8063.....	Screw.....	Vis.....	Tornillo.....	Parafuso.....	M8 X 16.....	3
25	53-0061.....	Bearing.....	Roulement.....	Cojinete.....	Rolamento.....		2
26	7-8011.....	Bolt.....	Boulon.....	Perno.....	Perno.....	M8 X 2.....	6
27	00011.....	Dust Cover.....	Cache-poussière.....	Tapa antipolvo.....	Tampa de Pó.....		2
28	961-99938.....	Nut.....	Ecrou.....	Tuerca.....	Porca.....		8
29	60-0438.....	Wheel.....	Roue.....	Rueda.....	Roda.....		2
30	00.0.053.....	Bolt.....	Boulon.....	Perno.....	Perno.....	M12 X 1.75.....	1
31	9-8020.....	Bolt.....	Boulon.....	Perno.....	Perno.....	M8 X 60.....	4
32	8-8001.....	Nut.....	Ecrou.....	Tuerca.....	Porca.....	M8.....	5
33	8-8011.....	Nut.....	Ecrou.....	Tuerca.....	Porca.....	M6.....	6
34	7-8037.....	Screw.....	Vis.....	Tornillo.....	Parafuso.....	M8 X 16.....	6
35	961-99935.....	Boss.....	Bossage.....	Resalte.....	Cubo.....		1
36	961-99925.....	Spring.....	Ressort.....	Resorte.....	Mola.....		2
37	3-1018.....	Pin.....	Goupille.....	Pasador.....	Pino.....	4 X 45.....	1



**Handle Assembly, Ensemble Guidon, Cjto manillar, Conjunto do Punho**

1	961-00300.....Handle.....	Guidon.....	Manillar.....	Punho.....	Belle.....	1
1	961-03500.....Handle.....	Guidon.....	Manillar.....	Punho.....	Belle.....	1
2	74-0011-0.....Handle Grips.....	Poignée.....	Asas.....	Mãozotas.....		2
3	961-00310.....Bracket.....	Patte de Montage.....	Escuadra.....	Suporte.....	→ 141505.....	1
3	961-99955.....Bracket.....	Patte de Montage.....	Escuadra.....	Suporte.....	→ 141506.....	1
4	961-00312.....Bracket.....	Patte de Montage.....	Escuadra.....	Suporte.....	→ 141505.....	1
4	961-99954.....Bracket.....	Patte de Montage.....	Escuadra.....	Suporte.....	→ 141506.....	1
5	7-8011.....Bolt.....	Boulon.....	Perno.....	Perno.....	M8 X 20.....	6
6	4-8006.....Washer.....	Rondelle.....	Arandela.....	Anilha.....	M8.....	12
7	961-99915.....Spacer.....	Entretoise.....	Espaciador.....	Espaçador.....		2
8	9-12001.....Bolt.....	Boulon.....	Perno.....	Perno.....	M12 X 40.....	2
9	4-1204.....Washer.....	Rondelle.....	Arandela.....	Anilha.....	M12.....	4
10	8-12006.....Nut.....	Ecrou.....	Tuerca.....	Porca.....	M12.....	2
11	74-0019.....Clutch Lever.....	Levier d'embrayage.....	Palanca de embrague.....	Alavanca de Embraiagem.....		1
12	74-0013.....Clutch Lever.....	Levier d'embrayage.....	Palanca de embrague.....	Alavanca de Embraiagem.....		1
13	74-0014.....Throttle Lever.....	Levier d'accélérateur.....	Palanca de aceleración.....	Alavanca do estrangulador.....		1
14	4-1005.....Washer.....	Rondelle.....	Arandela.....	Anilha.....	M10.....	10
15	9-10003.....Bolt.....	Boulon.....	Perno.....	Perno.....	M10 X 25.....	4
16	8-10006.....Nut.....	Ecrou.....	Tuerca.....	Porca.....	M10.....	6
17	7-5164.....Screw.....	Vis.....	Tornillo.....	Parafuse.....	M5 X 10.....	1
18	4-5002.....Washer.....	Rondelle.....	Arandela.....	Anilha.....	M5.....	1
19	8-5003.....Nut.....	Ecrou.....	Tuerca.....	Porca.....	M5.....	1
20	961-99939.....Cut-Out Lever.....	Levier de disjoncteur.....	Palanca del interruptor/disyuntor.....	Alavanca de corte.....		1
21	4-1601.....Washer.....	Rondelle.....	Arandela.....	Anilha.....	→ 141505.....	2
21	961-99949.....Washer.....	Rondelle.....	Arandela.....	Anilha.....	→ 141506.....	2
22	74-0015.....Clutch Cable.....	Câble de Embrayage.....	Cable de embrague.....	Cabo de Embraiagem.....		2
23	74-0018.....Brake Cable.....	Câble de frein.....	Cable de frenado.....	Cabo de Travão.....		1
24	961-03300S.....Bucket - Orange.....	Codet - Orange.....	Cuchara - Naranja.....	Balde - Laranja.....	→ 141778.....	1
24	961-03300B.....Bucket - Blue.....	Codet - Bleu.....	Cuchara - Azul.....	Balde - Azul.....	→ 141778.....	1
24	961-03300G.....Bucket - Green.....	Codet - Vert.....	Cuchara - Verde.....	Balde - Verde.....	→ 141778.....	1
24	961-03300R.....Bucket - Red.....	Codet - Rouge.....	Cuchara - Roja.....	Balde - Vermelho.....	→ 141778.....	1
24	961-03300Y.....Bucket - Yellow.....	Codet - Jaune.....	Cuchara - Amarillo.....	Balde - Amarelo.....	→ 141778.....	1
24	961-03200S.....Bucket - Orange.....	Codet - Orange.....	Cuchara - Naranja.....	Balde - Laranja.....	→ 141779.....	1
24	961-03200B.....Bucket - Blue.....	Codet - Bleu.....	Cuchara - Azul.....	Balde - Azul.....	→ 141779.....	1
24	961-03200G.....Bucket - Green.....	Codet - Vert.....	Cuchara - Verde.....	Balde - Verde.....	→ 141779.....	1
24	961-03200R.....Bucket - Red.....	Codet - Rouge.....	Cuchara - Roja.....	Balde - Vermelho.....	→ 141779.....	1
24	961-03200Y.....Bucket - Yellow.....	Codet - Jaune.....	Cuchara - Amarillo.....	Balde - Amarelo.....	→ 141779.....	1
25	961-99905.....Bracket.....	Patte de Montage.....	Escuadra.....	Suporte.....	Belle.....	1
25	961-99972.....Bracket.....	Patte de Montage.....	Escuadra.....	Suporte.....		1
26	961-02700S.....Latch - Orange.....	Verrou - Orange.....	Cerrojo - Naranja.....	Trinco - Laranja.....		1
26	961-02700B.....Latch - Blue.....	Verrou - Bleu.....	Cerrojo - Azul.....	Trinco - Azul.....		1
26	961-02700G.....Latch - Green.....	Verrou - Vert.....	Cerrojo - Verde.....	Trinco - Verde.....		1
26	961-02700R.....Latch - Red.....	Verrou - Rouge.....	Cerrojo - Roja.....	Trinco - Vermelho.....		1
26	961-02700Y.....Latch - Yellow.....	Verrou - Jaune.....	Cerrojo - Amarillo.....	Trinco - Amarelo.....		1
27	9-10032.....Bolt.....	Boulon.....	Perno.....	Perno.....		2

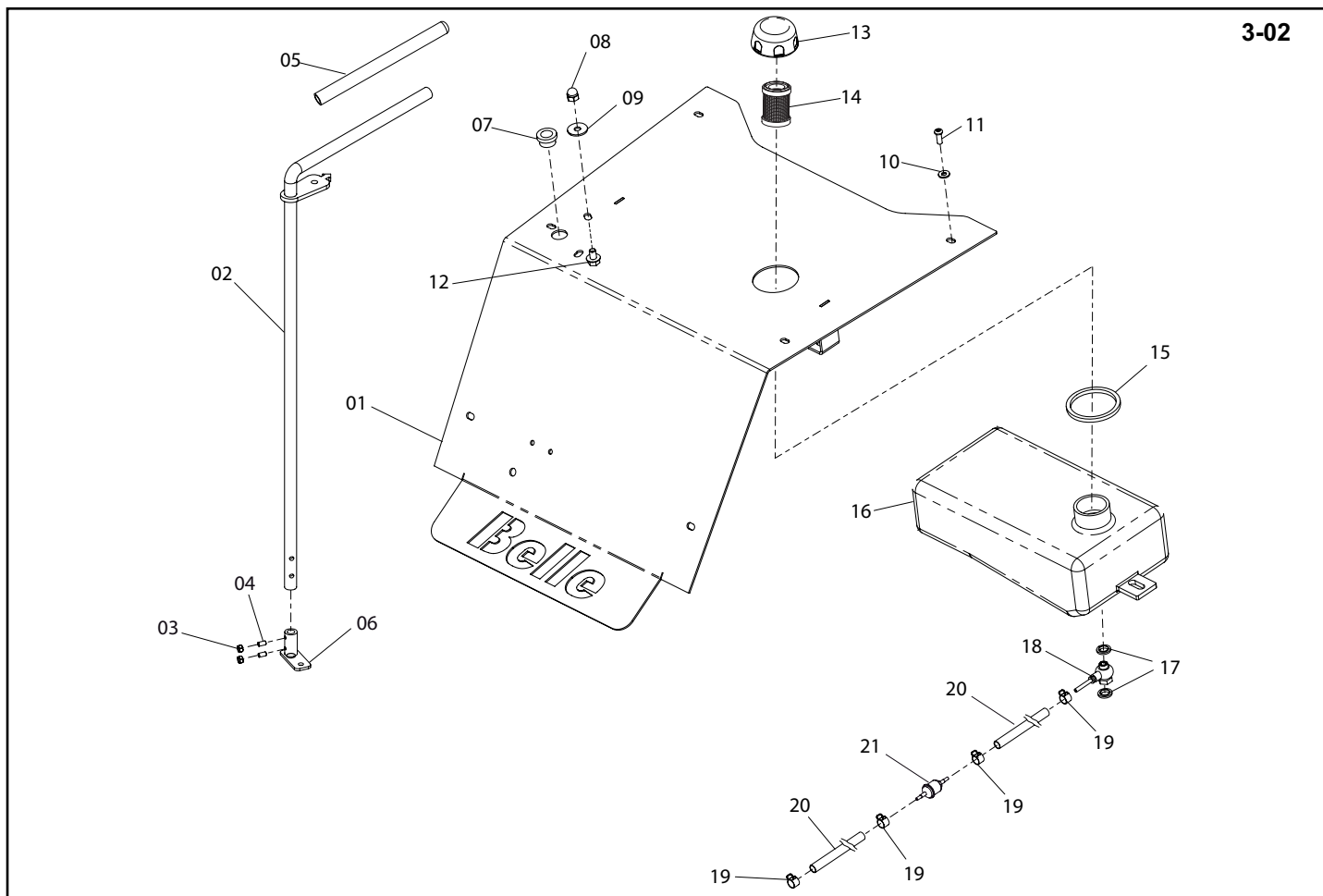


## Cowl Assembly, Ensemble Capot, Cjto Caperuza, Conjunto do Cobertura

3-01

► 141423

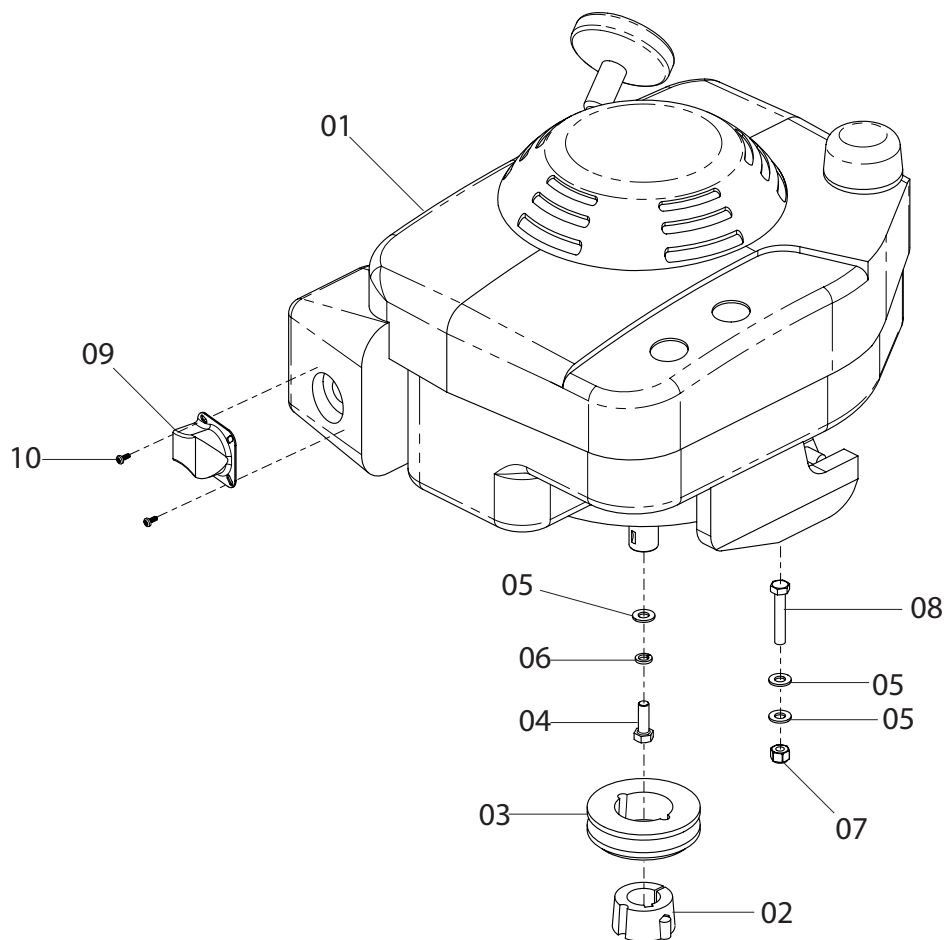
1	961-00700.....	Linkage.....	Connexion.....	Conexión.....	Ligação.....	1
2	961-99903.....	Bar.....	Barre.....	Barra.....	Barra.....	1
3	8-8001.....	Nut.....	Ecrou.....	Tuerca.....	Porca.....	M8.....4
4	7-8063.....	Screw.....	Vis.....	Tornillo.....	Parafuse.....	M8 X 16.....4
5	961-99932.....	Handle Grips.....	Poignée.....	Asas.....	Mãozotas.....	1
6	961-00800.....	Pivot.....	Pivot.....	Pivote.....	Pivô.....	1
7	961-99908S.....	Cowl - Orange.....	Capot - Orange.....	Caperuza - Naranja.....	Cobertura - Laranja.....	1
7	961-99908B.....	Cowl - Blue.....	Capot - Bleu.....	Caperuza - Azul.....	Cobertura - Azul.....	1
7	961-99908G.....	Cowl - Green.....	Capot - Vert.....	Caperuza - Verde.....	Cobertura - Verde.....	1
7	961-99908R.....	Cowl - Red.....	Capot - Rouge.....	Caperuza - Roja.....	Cobertura - Vermelho.....	1
7	961-99908Y.....	Cowl - Yellow.....	Capot - Jaune.....	Caperuza - Amarillo.....	Cobertura - Amarelo.....	1
8	961-99913.....	Bracket.....	Patte de Montage.....	Escuadra.....	Suporte.....	1
9	961-99912.....	Bar.....	Barre.....	Barra.....	Barra.....	1
10	74-0012.....	Ball Knob.....	Poignée à pommeau.....	Pomo - bola.....	Botão - Esfera.....	M8.....1
11	9-8064.....	Bolt.....	Boulon.....	Perno.....	Perno.....	M8 X 16.....2
12	7-6046.....	Screw.....	Vis.....	Tornillo.....	Parafuse.....	M8 X 25.....6
13	4-6007.....	Washer.....	Rondelle.....	Arandela.....	Anilha.....	M6.....6
14	4-1204.....	Washer.....	Rondelle.....	Arandela.....	Anilha.....	M12.....1
15	961-99924.....	Spring.....	Ressort.....	Resorte.....	Mola.....	1
16	3-0071-0.....	Roll Pin.....	Goupille fendue.....	Pivote de rodillo.....	Pino cilíndrico.....	3 X 20.....1



**Cowl Assembly, Ensemble Capot, Cjto Caperuza, Conjunto do Cobertura**

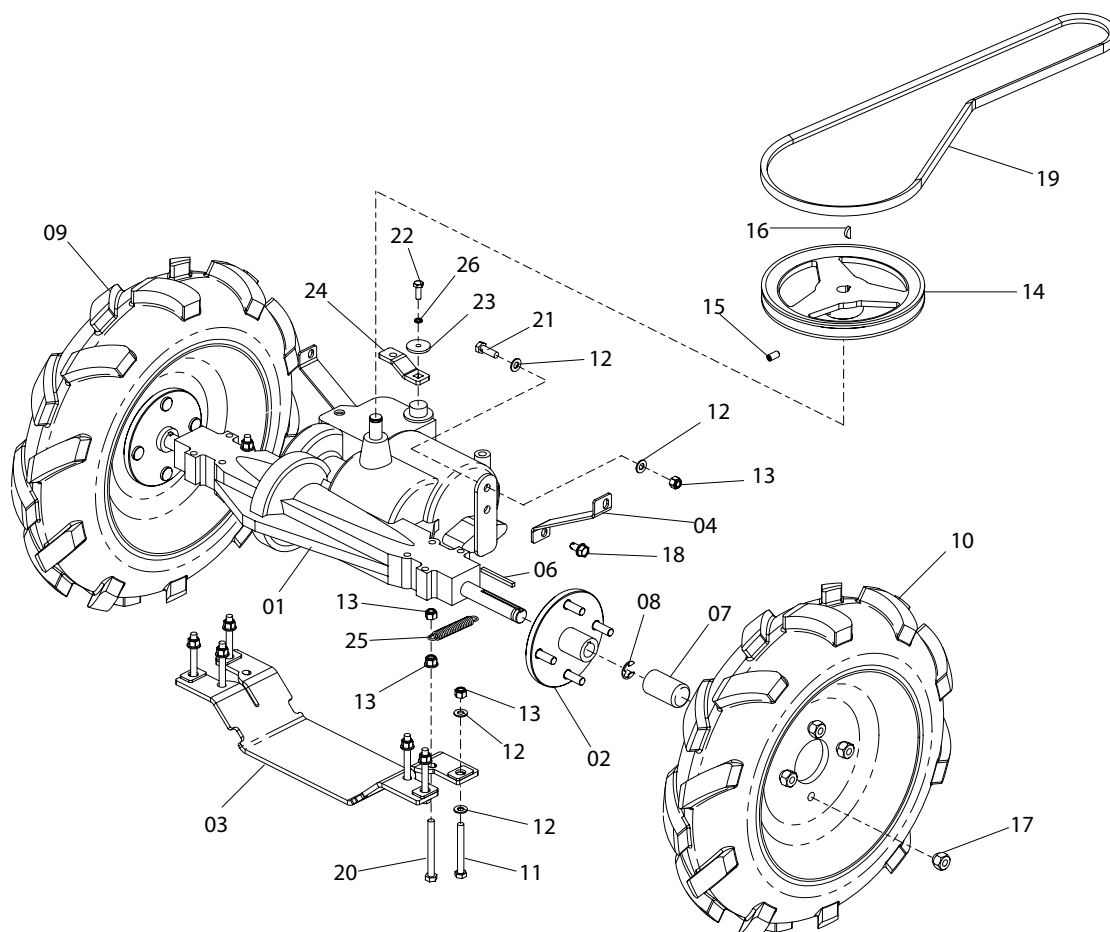
➔ 141424

01	961-99943S	Cowl - Orange	Capot - Orange	Caperuza - Naranja	Cobertura - Laranja	➔ 141778	1
01	961-99943B	Cowl - Blue	Capot - Bleu	Caperuza - Azul	Cobertura - Azul	➔ 141778	1
01	961-99943G	Cowl - Green	Capot - Vert	Caperuza - Verde	Cobertura - Verde	➔ 141778	1
01	961-99943R	Cowl - Red	Capot - Rouge	Caperuza - Roja	Cobertura - Vermelho	➔ 141778	1
01	961-99943Y	Cowl - Yellow	Capot - Jaune	Caperuza - Amarillo	Cobertura - Amarelo	➔ 141778	1
01	961-01200S	Cowl - Orange	Capot - Orange	Caperuza - Naranja	Cobertura - Laranja	➔ 141779	1
01	961-01200B	Cowl - Blue	Capot - Bleu	Caperuza - Azul	Cobertura - Azul	➔ 141779	1
01	961-01200G	Cowl - Green	Capot - Vert	Caperuza - Verde	Cobertura - Verde	➔ 141779	1
01	961-01200R	Cowl - Red	Capot - Rouge	Caperuza - Roja	Cobertura - Vermelho	➔ 141779	1
01	961-01200Y	Cowl - Yellow	Capot - Jaune	Caperuza - Amarillo	Cobertura - Amarelo	➔ 141779	1
01	961-03600S	Cowl - Orange	Capot - Orange	Caperuza - Naranja	Cobertura - Laranja		1
01	961-03600B	Cowl - Blue	Capot - Bleu	Caperuza - Azul	Cobertura - Azul		1
01	961-03600G	Cowl - Green	Capot - Vert	Caperuza - Verde	Cobertura - Verde		1
01	961-03600R	Cowl - Red	Capot - Rouge	Caperuza - Roja	Cobertura - Vermelho		1
01	961-03600Y	Cowl - Yellow	Capot - Jaune	Caperuza - Amarillo	Cobertura - Amarelo		1
02	961-01400	Bar	Barre	Barra	Barra		1
03	8-8001	Nut	Ecrou	Tuerca	Porca	M8	2
04	7-8063	Screw	Vis	Tornillo	Parafuse	M8 X 16	2
05	961-99932	Handle Grips	Poignée	Asas	Mãoszotas		1
06	961-00800	Pivot	Pivot	Pivote	Pivó		1
07	961-99914	Grommet	Passe-fil	Ojal	Anel Isolante		1
08	8-8022	Nut	Ecrou	Tuerca	Porca	M8	2
09	05.3.062	Washer	Rondelle	Arandela	Anilha		2
10	4-6007	Washer	Rondelle	Arandela	Anilha	M6	6
11	7-6046	Screw	Vis	Tornillo	Parafuse	M6 X 16	6
12	7/8040	Screw	Vis	Tornillo	Parafuse	M8 X 12	2
13	158.2.012	Cap	Capuchon	Casquete	Tampa		1
14	158.0.011	Filter	Filtre	Filtro	Filtro		1
15	4/5001	Washer	Rondelle	Arandela	Anilha	M5	1
16	158.0.010	Fuel Tank	Réservoir de Carburant	Tanque de Combustible	Depósito de Combustível		1
17	10-100-0510	Washer	Rondelle	Arandela	Anilha		2
18	158/99911	Adaptor	Adaptateur	Adaptador	Adaptador		1
19	15.0.085	Hose Clamp	Collier de Tuyau	Abrazadera para Manguera	Grampo da Tubagem		4
20	25-00001	Hose	Tuyau	Manguera	Tubagem		2
21	21-0058	Fuel Filter	Filtre à carburant	Filtro de combustible	Filtro de Combustível		1



**Engine, Moteur, Motor, Motor**

1	20-0073.....	Engine .....	Moteur .....	Motor.....	Motor.....	Honda GXV 160 ....	1
2	21-0255.....	Bush .....	Douille .....	Buje.....	Bucha.....	.....	1
3	21-0259.....	Pulley .....	Poelie .....	Polea.....	Polia.....	.....	1
4	02.3.020.....	Screw .....	Vis .....	Tornillo .....	Parafuse .....	5/16" .....	4
5	4-8006.....	Washer .....	Rondelle .....	Arandela .....	Anilha .....	M8 .....	10
6	4-8003.....	Washer .....	Rondelle .....	Arandela .....	Anilha .....	M8 .....	4
7	8-8008.....	Nut.....	Ecrou .....	Tuerca.....	Porca .....	M8 .....	3
8	9-8017.....	Bolt.....	Boulon .....	Perno.....	Perno .....	M8 X 45.....	3
9	21-0236.....	Guard Plate.....	Plaque de Protection.....	Placa de defensa.....	Placa de Guarda.....	.....	1
10	21.0.140.....	Screw .....	Vis .....	Tornillo .....	Parafuse .....	M6 X 14.....	2

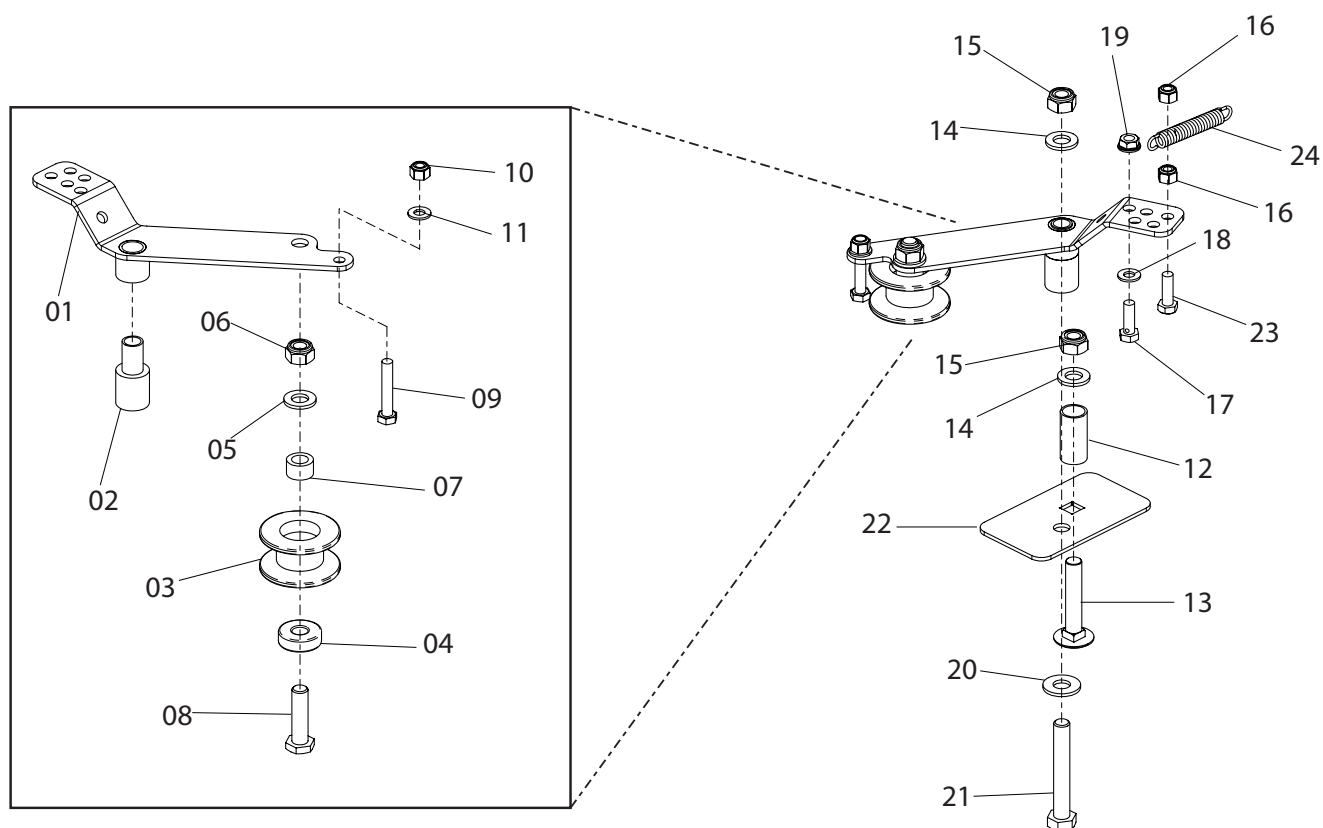


**Gearbox Assembly, Ensemble boîte de vitesses,  
Conjunto de caja de engranajes, Conjunto da Caixa de Engrenagens**

5-01

1	961-99922	..... Gearbox Casing	..... Boîte de vitesses	..... Caja de engranajes	..... Caixa de engranagens	..... 1
2	961-99921	..... Wheel Hub	..... Moyeu	..... Cubo Reductor	..... Cubo da Roda	..... 2
3	961-00400	..... Bracket	..... Patte de Montage	..... Escuadra	..... Suporte	..... 1
4	961-99940	..... Bracket	..... Patte de Montage	..... Escuadra	..... Suporte	..... 1
5	961-99904	..... Bracket	..... Patte de Montage	..... Escuadra	..... Suporte	..... 1
6	06.8.003	..... Key	..... Clavette	..... Chaveta	..... Chave	..... 3/16"sq X 2" ..... 2
7	961-99923	..... Cover	..... Couvercle	..... Cubierta	..... Tampa	..... 2
8	3-1017	..... Clip	..... Collier	..... Presilla	..... Grampo	..... 5/8" ..... 2
9	60-0438	..... Wheel	..... Roue	..... Rueda	..... Roda	..... 1
10	60-0436	..... Wheel	..... Roue	..... Rueda	..... Roda	..... 1
11	9-8022	..... Bolt	..... Boulon	..... Perno	..... Perno	..... M8 X 70 ..... 7
12	4-8006	..... Washer	..... Rondelle	..... Arandela	..... Anilha	..... M8 ..... 18
13	8-8008	..... Nut	..... Ecrou	..... Tuerca	..... Porca	..... M8 ..... 10
14	21-0249	..... Pulley	..... Poelie	..... Polea	..... Polia	..... 1
15	7-8063	..... Screw	..... Vis	..... Tornillo	..... Parafuse	..... 8 x 16 ..... 1
16	961-99929	..... Key	..... Clavette	..... Chaveta	..... Chave	..... 16 X 4 ..... 1
17	961-99937	..... Nut	..... Ecrou	..... Tuerca	..... Porca	..... 8
18	7-8059	..... Screw	..... Vis	..... Tornillo	..... Parafuse	..... M8 X 12 ..... 2
19	21-0247	..... Belt	..... Courroie	..... Correa	..... Cinta	..... 1
20	9-8048	..... Bolt	..... Boulon	..... Perno	..... Perno	..... M8 X 80 ..... 1
21	7-8060	..... Bolt	..... Boulon	..... Perno	..... Perno	..... M8 X 20 ..... 1
22	7-6038	..... Screw	..... Vis	..... Tornillo	..... Parafuse	..... 1
23	4-6015	..... Washer	..... Rondelle	..... Arandela	..... Anilha	..... 30 X 6.2 X 3 ..... 1
24	961-99930	..... Plate	..... Plaque	..... Placa	..... Placa	..... → 141423 ..... 1
24	961-99944	..... Plate	..... Plaque	..... Placa	..... Placa	..... → 141424 ..... 1
25	961-99925	..... Spring	..... Ressort	..... Resorte	..... Mola	..... 1
26	4-6005	..... Washer	..... Rondelle	..... Arandela	..... Anilha	..... M6 ..... 1



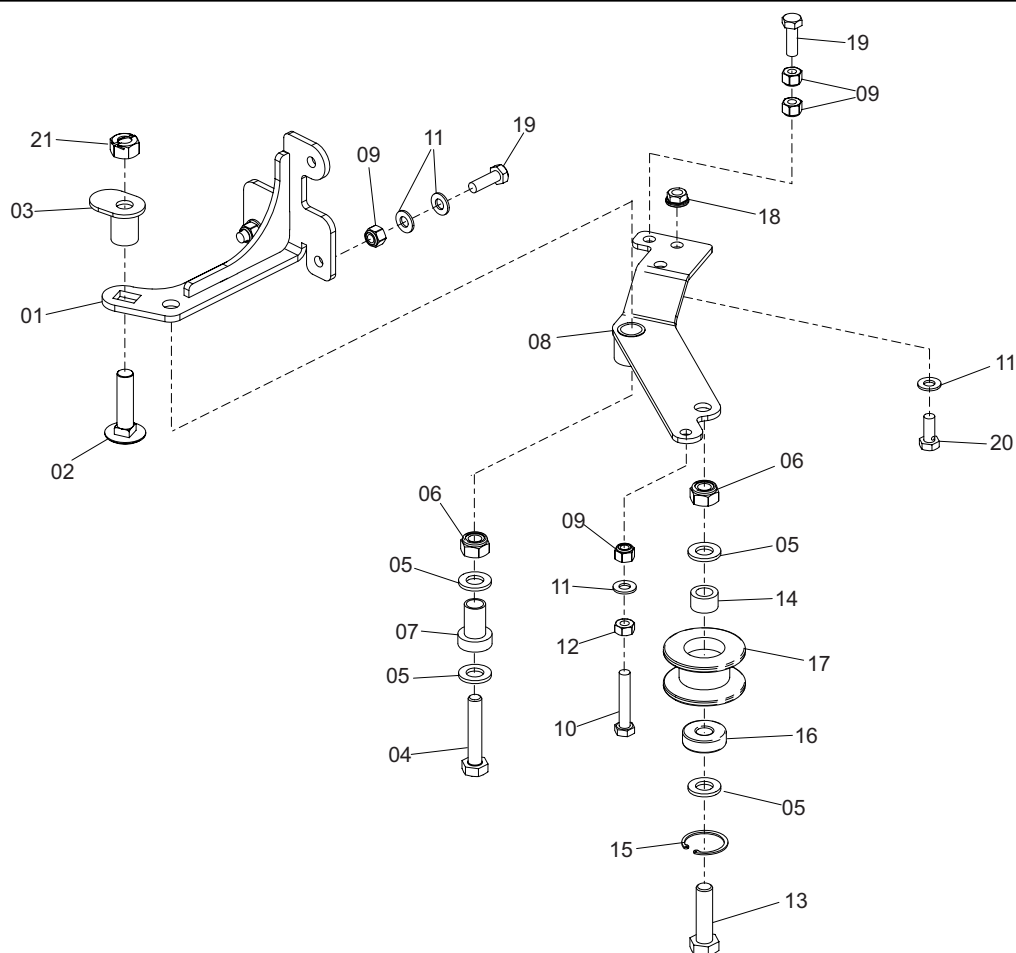


## Clutch Assembly, Ensemble embrayage, Conjunto de embraque, Conjunto da Embraiagem

6-01

➔ 141778

1	961-01300.....Clutch Arm.....	Bras d'embrayage .....	Braço de embraque .....	Braço de Embraiagem .....	1
2	961-99919.....Pivot .....	Pivot .....	Pivote .....	Pivô .....	1
3	21-0250.....Pulley .....	Poelie .....	Polea .....	Polia .....	1
4	53-0060.....Bearing.....	Roulement .....	Cojinete .....	Rolamento .....	1
5	4-1204.....Washer.....	Rondelle .....	Arandela .....	Anilha .....	M12 .....
6	8-12006.....Nut.....	Ecrou .....	Tuerca .....	Porca .....	M12 .....
7	961-99917.....Spacer.....	Entretoise .....	Espaciador.....	Espaçador.....	1
8	M08 X 015.....Bolt.....	Boulon .....	Perno .....	Perno .....	M12 X 45 .....
9	9-8017.....Bolt.....	Boulon .....	Perno .....	Perno .....	M8 X 45 .....
10	8-8008.....Nut.....	Ecrou .....	Tuerca .....	Porca .....	M8 .....
11	4-8006.....Washer.....	Rondelle .....	Arandela .....	Anilha .....	M8 .....
12	961-99920.....Tube.....	Tube .....	Tube .....	Tube .....	1
13	9-1202.....Bolt.....	Boulon .....	Perno .....	Perno .....	M12 X 65 .....
14	4-1204.....Washer.....	Rondelle .....	Arandela .....	Anilha .....	M12 .....
15	8-12006.....Nut.....	Ecrou .....	Tuerca .....	Porca .....	M12 .....
16	8-8008.....Nut.....	Ecrou .....	Tuerca .....	Porca .....	M8.....
17	7-8070.....Bolt.....	Boulon .....	Perno .....	Perno .....	M8 X 20 .....
18	4-8006.....Washer.....	Rondelle .....	Arandela .....	Anilha .....	M8 .....
19	8-8020.....Nut.....	Ecrou .....	Tuerca .....	Porca .....	M8.....
20	4-1201.....Washer.....	Rondelle .....	Arandela .....	Anilha .....	M12.....
21	9-12007.....Bolt.....	Boulon .....	Perno .....	Perno .....	M12 X 80 .....
22	961-99911.....Plate.....	Plaque .....	Placa .....	Placa .....	1
23	7-8012.....Bolt.....	Boulon .....	Perno .....	Perno .....	M8 X 25 .....
24	961-99925.....Spring.....	Ressort .....	Resorte .....	Mola .....	2

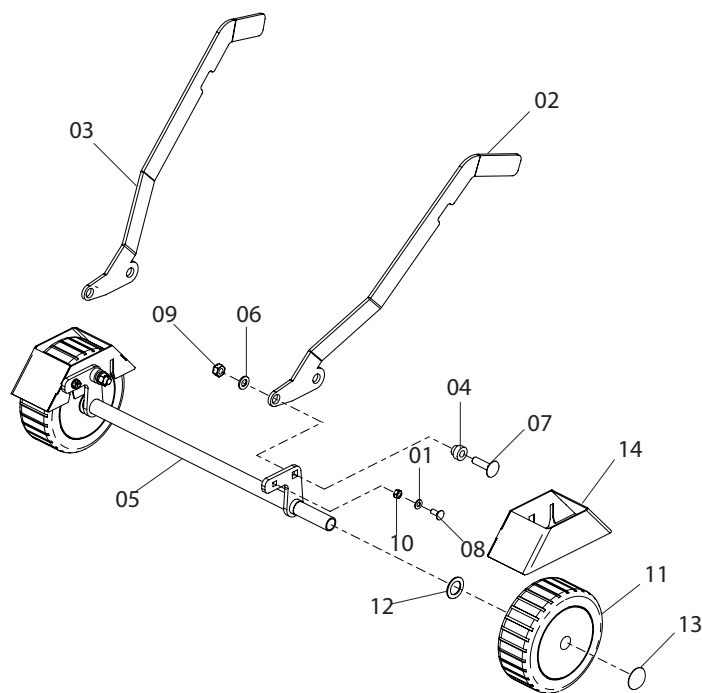


### Clutch Assembly, Ensemble embrayage, Conjunto de embraque, Conjunto da Embraiagem

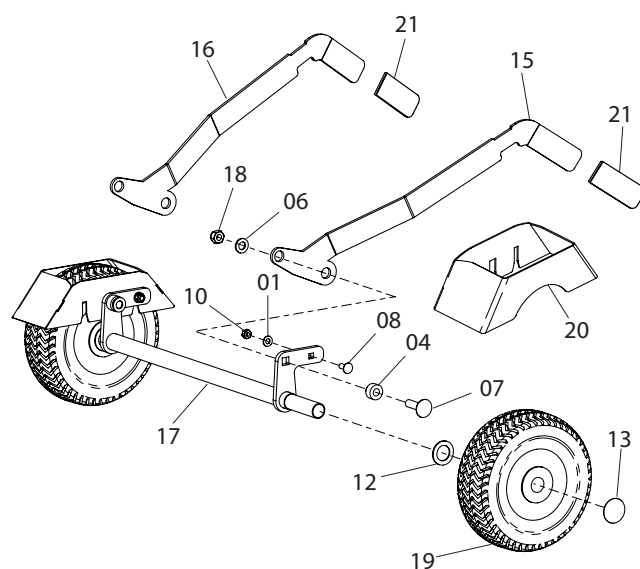
6-02

➔ 141779

1	961-02600	Pivot	Pivot	Pivote	Pivô	1
2	9-12032	Bolt	Boulon	Perno	Perno	M12 x 50
3	961-02800	Belt Guide	Guide à courroie	Guia Correa	Guia Cinta	1
4	9-12010	Bolt	Boulon	Perno	Perno	M12 x 60
5	4-1201	Washer	Rondelle	Arandela	Anilha	M12
6	8-12006	Nut	Ecrou	Tuerca	Porca	M12
7	961-99960	Pivot	Pivot	Pivote	Pivô	1
8	961-01300	Clutch Arm	Bras d'embrayage	Braço de embraque	Braço de Embraiagem	1
9	8-8008	Nut	Ecrou	Tuerca	Porca	M8
10	9-8017	Bolt	Boulon	Perno	Perno	M8 x 45
11	4-8006	Washer	Rondelle	Arandela	Anilha	M8
12	8-8001	Nut	Ecrou	Tuerca	Porca	M8
13	9-12021	Bolt	Boulon	Perno	Perno	M12 x 45
14	961-99917	Spacer	Entretoise	Espaciador	Espaçador	1
15	3-9022	Circlip	Circlip	Resorte circular	Grampo circular	M12
16	53-0060	Bearing	Roulement	Cojinete	Rolamento	12ID x 320D
17	21-0250	Pulley	Poelie	Polea	Polia	1
18	8-8020	Nut	Ecrou	Tuerca	Porca	M8
19	7-8012	Bolt	Boulon	Perno	Perno	M8 x 25
20	7-8070	Bolt	Boulon	Perno	Perno	M8 x 25
21	8-12001	Nut	Ecrou	Tuerca	Porca	M12



→ 141505

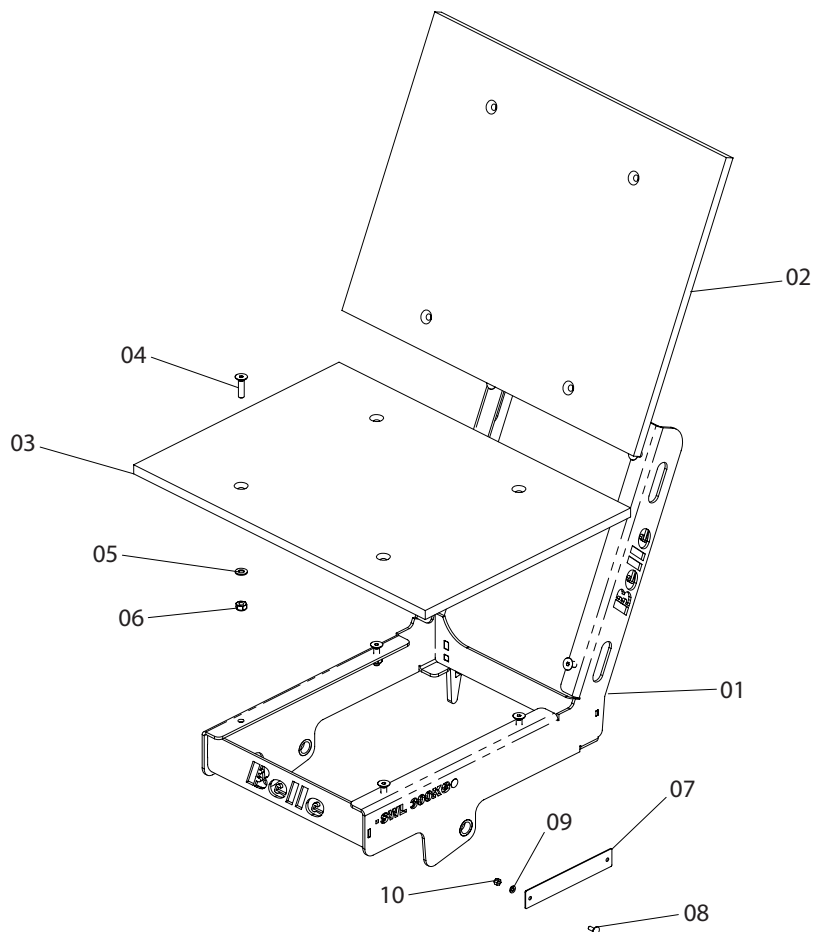


→ 141506

**Friction Wheel Assembly, Roue de friction, Rueda de fricción, Roda de fricção,**

1	4-8006.....	Washer.....	Rondelle.....	Arandela.....	Anilha.....	M8.....	2
2	961-99901.....	Lever.....	Levier.....	Palanca.....	Alavanca.....		1
3	961-99902.....	Lever.....	Levier.....	Palanca.....	Alavanca.....		1
4	961-99934.....	Spacer.....	Entretoise.....	Espaciador.....	Espaçador.....		2
5	961-00200.....	Axle.....	Essieu.....	Eje.....	Eixo.....		1
6	4-1204.....	Washer.....	Rondelle.....	Arandela.....	Anilha.....	M12.....	2
7	9-12025.....	Bolt.....	Boulon.....	Perno.....	Perno.....	M12 X 45.....	2
8	9-8031.....	Bolt.....	Boulon.....	Perno.....	Perno.....	M8 X 20.....	2
9	8-12001.....	Nut.....	Ecrou.....	Tuerca.....	Porca.....	M12.....	2
10	8-8002.....	Nut.....	Ecrou.....	Tuerca.....	Porca.....	M8.....	2
11	60-0437.....	Wheel.....	Roue.....	Rueda.....	Roda.....		2
12	961-99918.....	Spacer.....	Entretoise.....	Espaciador.....	Espaçador.....		2
13	4-2501.....	Washer.....	Rondelle.....	Arandela.....	Anilha.....	25mm.....	2
14	961-01000.....	Mud Guard.....	Garde-boue.....	Guardabarros.....	Pára-lamas.....		2
15	961-99947.....	Lever.....	Levier.....	Palanca.....	Alavanca.....		1
16	961-99948.....	Lever.....	Levier.....	Palanca.....	Alavanca.....		1
17	961-01601.....	Axle.....	Essieu.....	Eje.....	Eixo.....		1
18	8-12006.....	Nut.....	Ecrou.....	Tuerca.....	Porca.....	M12.....	2
19	60-0439.....	Wheel.....	Roue.....	Rueda.....	Roda.....		2
20	961-01700.....	Mud Guard.....	Garde-boue.....	Guardabarros.....	Pára-lamas.....		2

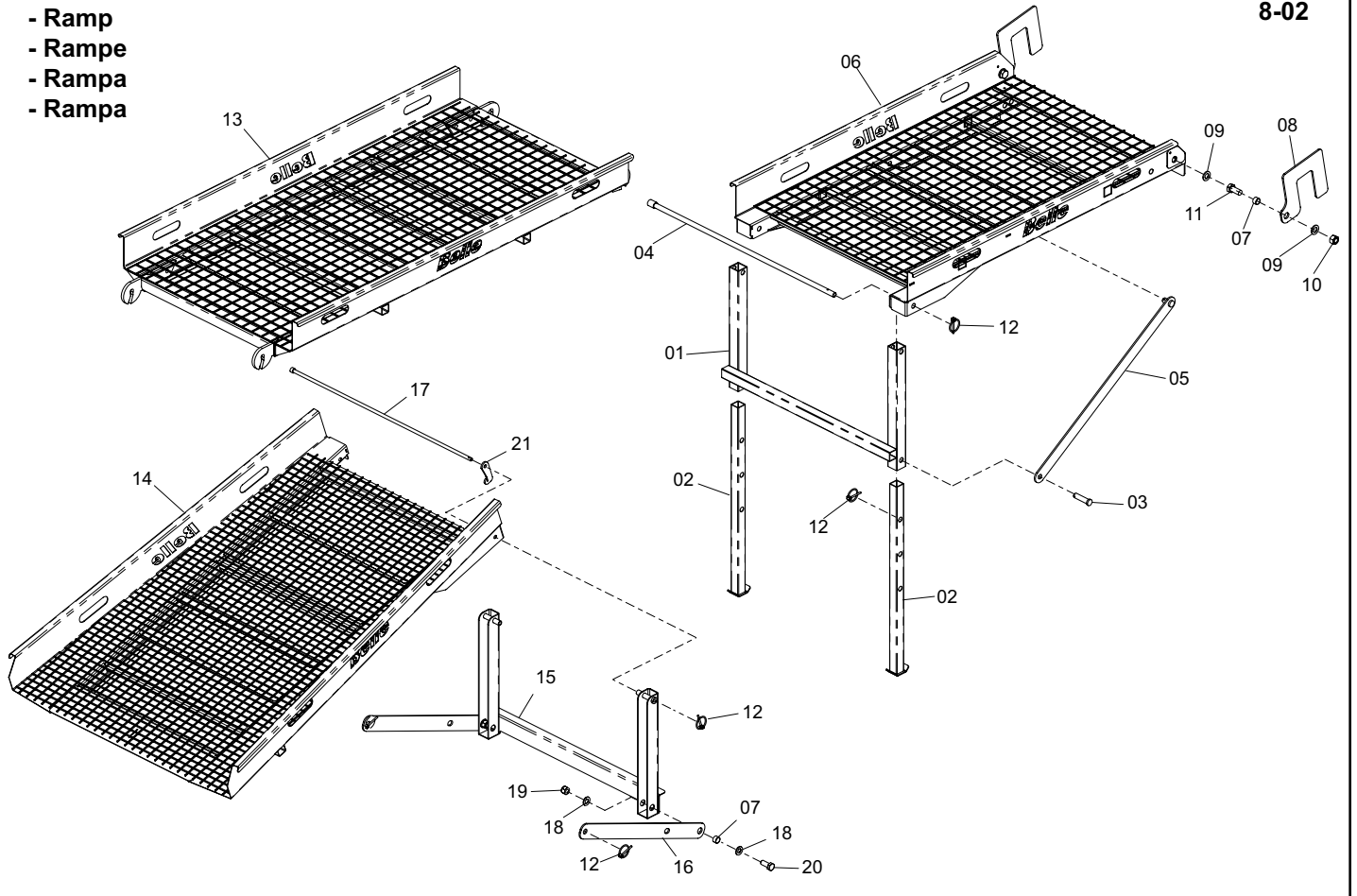
- Flatbed
- Plateau
- Plataforma lisa
- Fundo Plano


**Optional Equipment, Équipement en option, Equipo opcional, Equipamento Opcional**

1	961-00600.....	Frame .....	Cadre .....	Bastidor.....	Chassis .....	2
2	961-99946.....	Back Plate .....	Plaque arrière .....	Placa trasera.....	Placa de Apoio.....	1
3	961-99945.....	Base .....	Base .....	Base.....	Base.....	1
4	7-10041.....	Screw.....	Vis .....	Tornillo .....	Parafuse .....	M10 x 40..... 1
5	4-1005.....	Washer .....	Rondelle.....	Arandela .....	Anilha .....	M10..... 1
6	8-10006.....	Nut .....	Ecrou.....	Tuerca .....	Porca .....	M10..... 1
8	9-6023.....	Bolt .....	Boulon.....	Perno .....	Perno .....	M6 x 20..... 1
9	4-6001.....	Washer .....	Rondelle.....	Arandela .....	Anilha .....	M6..... 1
10	8-6007.....	Nut .....	Ecrou.....	Tuerca.....	Porca .....	M6..... 1

- Ramp  
- Rampe  
- Rampa  
- Rampa

8-02

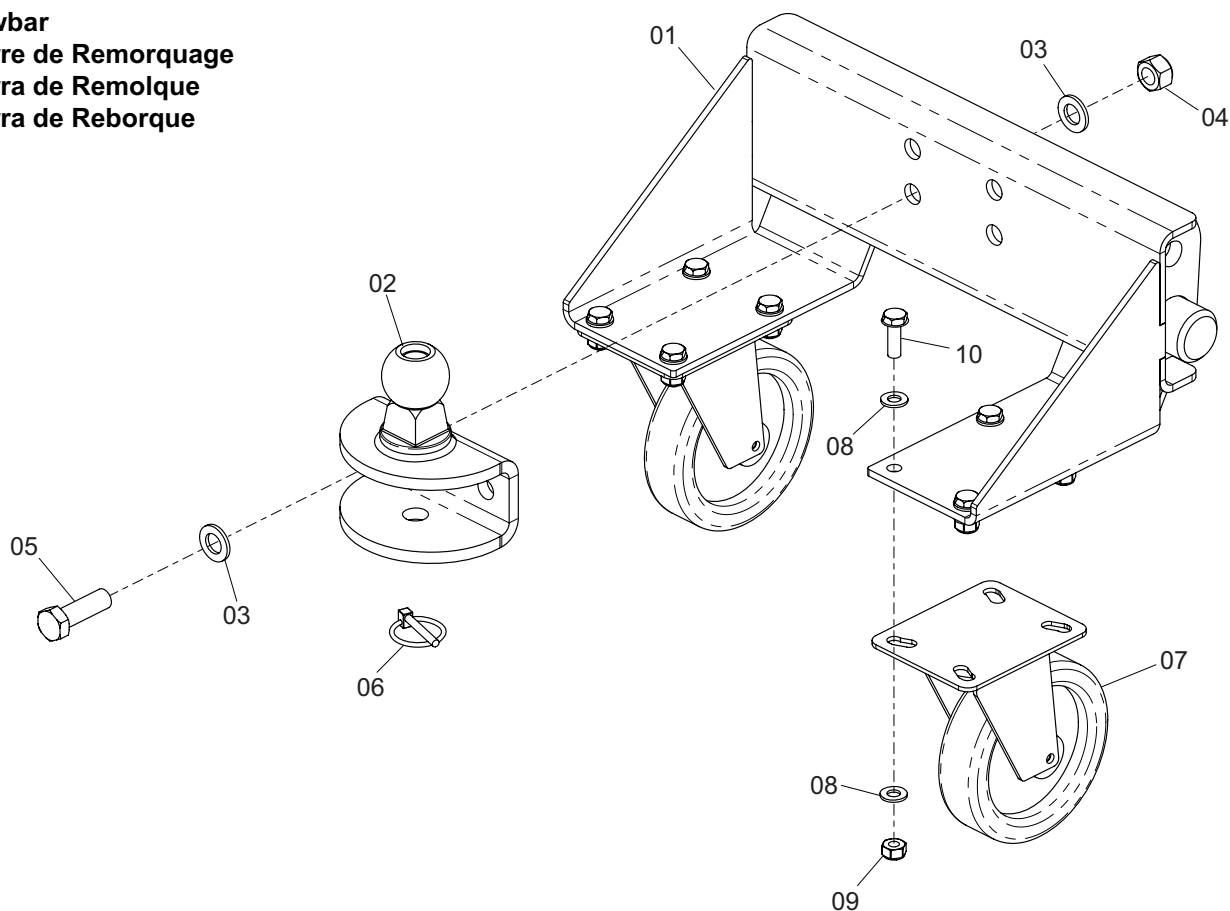


Optional Equipment, Équipement en option, Equipo opcional, Equipamento Opcional

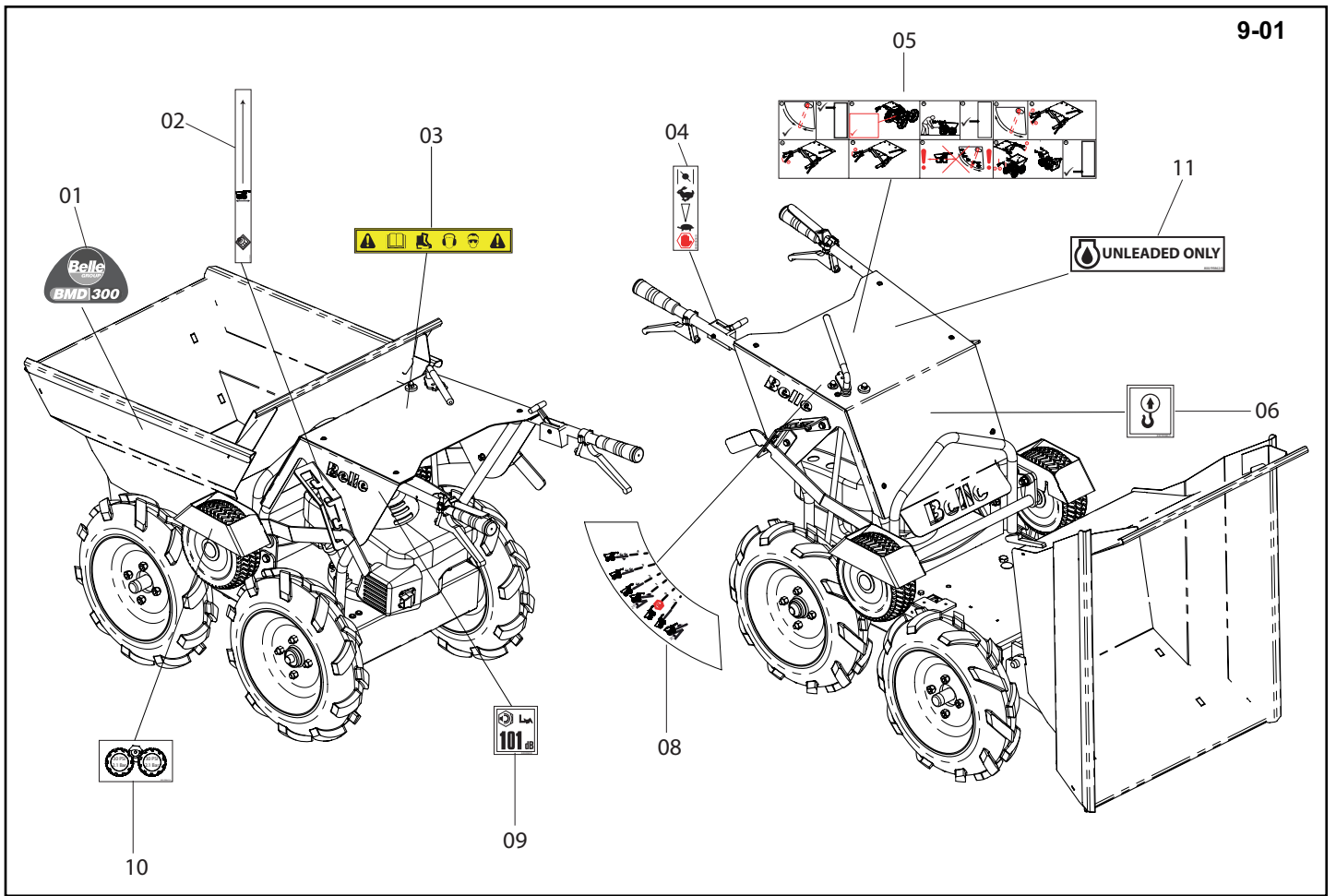
8-02

1	961-01900S	.....	Frame (Orange)	.....	Châssis (Orange)	.....	Bastidor (Naranja)	.....	Chassis (Laranja)	.....	1
1	961-01900GR	.....	Frame (Grey)	.....	Châssis (Gris)	.....	Bastidor (Gris)	.....	Chassis (Cinzento)	.....	1
2	961-01800S	.....	Leg (Orange)	.....	Jambe (Orange)	.....	Pierna (Naranja)	.....	Coluna (Laranja)	.....	2
2	961-01800GR	.....	Leg (Grey)	.....	Jambe (Gris)	.....	Pierna (Gris)	.....	Coluna (Cinzento)	.....	2
3	961-99964	.....	Pin	.....	Goupille	.....	Pasador	.....	Pino	.....	2
4	961-02000	.....	Bar	.....	Barre	.....	Barra	.....	Barra	.....	2
5	961-02400S	.....	Strut (Orange)	.....	Béquille (Orange)	.....	Puntal (Naranja)	.....	Apoio (Laranja)	.....	2
5	961-02400GR	.....	Strut (Grey)	.....	Béquille (Gris)	.....	Puntal (Gris)	.....	Apoio (Cinzento)	.....	2
6	961-02300S	.....	Upper Ramp (Orange)	.....	Rampe - Supérieure (Orange)	.....	Rampa - Superior (Naranja)	.....	Rampa - Máximo (Laranja)	.....	1
6	961-02300GR	.....	Upper Ramp (Grey)	.....	Rampe - Supérieure (Gris)	.....	Rampa - Superior (Gris)	.....	Rampa - Máximo (Cinzento)	.....	1
7	961-99968	.....	Boss	.....	Bossage	.....	Resalte	.....	Cubo	.....	4
8	961-99950S	.....	Hook (Orange)	.....	Crochet (Orange)	.....	Gancho (Naranja)	.....	Gancho (Laranja)	.....	2
8	961-99950GR	.....	Hook (Grey)	.....	Crochet (Gris)	.....	Gancho (Gris)	.....	Gancho (Cinzento)	.....	2
9	4-1601	.....	Washer	.....	Rondelle	.....	Arandela	.....	Anilha	.....	M16..... 4
10	8-16005	.....	Nut	.....	Ecrou	.....	Tuerca	.....	Porca	.....	M16..... 2
11	7-6011	.....	Screw	.....	Vis	.....	Tornillo	.....	Parafuse	.....	M16 x 35..... 2
12	3-1018	.....	Clip	.....	Collier	.....	Presilla	.....	Grampo	.....	4 x 45..... 6
13	961-01500S	.....	Ramp (Orange)	.....	Rampe (Orange)	.....	Rampa (Naranja)	.....	Rampa (Laranja)	.....	1
13	961-01500GR	.....	Ramp (Grey)	.....	Base (Gris)	.....	Base (Gris)	.....	Base (Cinzento)	.....	1
14	961-02200S	.....	Lower Ramp (Orange)	.....	Rampe - Inférieure (Orange)	.....	Rampa - Inferior (Naranja)	.....	Rampa - Mínimo (Laranja)	.....	1
14	961-02200GR	.....	Lower Ramp (Grey)	.....	Rampe - Inférieure (Gris)	.....	Rampa - Inferior (Gris)	.....	Rampa - Mínimo (Cinzento)	.....	1
15	961-02500S	.....	Frame (Orange)	.....	Châssis (Orange)	.....	Bastidor (Naranja)	.....	Chassis (Laranja)	.....	1
15	961-02500GR	.....	Frame (Grey)	.....	Châssis (Gris)	.....	Bastidor (Gris)	.....	Chassis (Cinzento)	.....	1
16	961-99952S	.....	Strut (Orange)	.....	Béquille (Orange)	.....	Puntal (Naranja)	.....	Apoio (Laranja)	.....	2
16	961-99952GR	.....	Strut (Grey)	.....	Béquille (Gris)	.....	Puntal (Gris)	.....	Apoio (Cinzento)	.....	2
17	961-02800	.....	Bar	.....	Barre	.....	Barra	.....	Barra	.....	1
18	4-1402	.....	Washer	.....	Rondelle	.....	Arandela	.....	Anilha	.....	M14..... 1
19	8-14006	.....	Nut	.....	Ecrou	.....	Tuerca	.....	Porca	.....	M12..... 2
20	7-14011	.....	Screw	.....	Vis	.....	Tornillo	.....	Parafuse	.....	M14 x 35..... 4
21	961-99951S	.....	Hook (Orange)	.....	Crochet (Orange)	.....	Gancho (Naranja)	.....	Gancho (Laranja)	.....	2
21	961-99951GR	.....	Hook (Grey)	.....	Crochet (Gris)	.....	Gancho (Gris)	.....	Gancho (Cinzento)	.....	2

- Towbar
- Barre de Remorquage
- Barra de Remolque
- Barra de Reborque


**Optional Equipment, Équipement en option, Equipo opcional, Equipamento Opcional**

1	961-02900.....	Frame .....	Châssis .....	Bastidor.....	Chassis .....	1
2	961-99961.....	Towbar .....	Barre de Remorque .....	Barra de Remolque.....	Barra de Remorke .....	1
3	4-1601.....	Washer .....	Rondelle.....	Arandela .....	Anilha .....	M16..... 4
4	8-16005.....	Nut .....	Ecrou.....	Tuerca.....	Porca .....	M16..... 2
5	7-16011.....	Screw.....	Vis .....	Tornillo .....	Parafuse .....	M16 x 50..... 2
6	3-10011.....	Clip .....	Collier.....	Presilla .....	Grampo .....	1
7	60-0442.....	Wheel .....	Roue .....	Rueda .....	Roda .....	150mm..... 2
8	4-1005.....	Washer .....	Rondelle.....	Arandela .....	Anilha .....	M10..... 16
9	8-10006.....	Nut .....	Ecrou.....	Tuerca.....	Porca .....	M10..... 8
10	7-10005.....	Screw.....	Vis .....	Tornillo .....	Parafuse .....	M10 x 25..... 8



**Decals, Autocollant, Rótulo, Decalque**

**9-01**

1	800-99830.....	Decal .....	Autocollant .....	Rótulo .....	Decalque.....	BMD 300.....	2
2	800-99863.....	Decal .....	Autocollant .....	Rótulo .....	Decalque.....	4WD.....	2
3	800-99831.....	Decal - Warning.....	Autocollant - Avertissement .....	Rótulo - Aviso.....	Decalque - Aviso.....		1
4	800-99858.....	Decal - Choke Lever.....	Autocollant - Manette De Starter.....	Rótulo - Colador de combustible ..	Decalque - Alavanca do afogador .....		1
5	800-99832.....	Decal - Operation .....	Autocollant - Utilisation .....	Rótulo - Utilización.....	Decalque - Utilização .....		1
6	800-99986.....	Decal - Lifting Point .....	Autocollant - Cadre de levage.....	Rótulo - Bastidor de izaje.....	Decalque - Estrutura de Elevação .....		1
8	800-99829.....	Decal - Throttle Lever .....	Autocollant - Manette d'accélérateur ..	Rótulo - Palanca de aceleración...	Decalque - Alavanca do estrangulador .....		1
9	800-99838.....	Decal .....	Autocollant .....	Rótulo .....	Decalque.....	101dB(A) .....	1
10	800-99861.....	Decal - Tyre Pressure .....	Autocollant - Pression des pneus .....	Rótulo - Tyre Presión.....	Decalque - Tyre Pressão .....		1
11	800-99862.....	Decal - Fuel .....	Autocollant - Carburante .....	Rótulo - Combustible .....	Decalque - Combustível .....	→ 141779 ...	1



# No.1 for Light Construction Equipment

[www.BelleGroup.com](http://www.BelleGroup.com)

**Belle Group Head Office**  
Sheen, nr. Buxton  
Derbyshire. SK17 0EU GB.  
Tel: +44 (0)1298 84000  
Fax: +44 (0)1298 84722  
email: [sales@belle-group.co.uk](mailto:sales@belle-group.co.uk)

**Belle Group France**  
70, av du Général de Gaulle  
94022 Creteil, Cedex.  
FRANCE  
Tel: +33 (0) 1 49 81 68 32  
Fax: +33 (0) 1 43 39 94 40  
Ventes : 0800 902 461  
SAV : 0800 905 336  
SAV Fax : 0800 909 895

**Belle Equipos SL**  
Calle Doctor Calero Cial 19,  
Local 22, 28220 Majadahonda  
Madrid, Spain  
Tel: +34 (0) 91 636 2043  
Fax: +34 (0) 91 634 1535  
email: [belleequipos@belleequipos.com](mailto:belleequipos@belleequipos.com)

**Belle Group Deutschland**  
Husumer Straße 45 a,  
D-33729,  
Bielefeld  
Deutschland  
Tel : +49(0) 5217 707505  
Fax : +49 (0) 5217 707506  
Sales: 0800 1808069  
Spares: 0800 1816673

**Belle Poland sp. z.o.o.**  
96-200 Rawa Mazowiecka  
Ul. Mszczonowska 36,  
Polska  
Tel: +48 (0) 46 8144091  
Fax: +48 (0) 46 8144700

**Belle Group Portugal**  
Rua Laura Alves, 225, 2° F  
2775-116 Parede  
Portugal  
Tel: +35 1 (21) 453 59 91  
Fax: +35 1 (21) 453 59 91

**Belle Group Netherlands**  
Tel: 0800 249861

**Belle Group Belguim**  
Tel: 0800 80295

**Belle Group Austria**  
Tel: 0800 291544

**Belle Group Russia**  
64 Nevsky pr.  
St, Petersburg  
Russia  
Tel : +7(812)314-81-34  
Moscow : +7(495)589-64-32

**Belle Group South East Asia**  
21, Jalan Ara AD 7/3B,  
Pandar Sri Damansara  
S2200 Kuala Lumpur, Malaysia  
Tel: +60 (0) 3 62721678  
+60 (0) 3 6272 9308  
Fax: +60 (0) 3 6272 9528

**Belle Group (GB), Shanghai Office**  
Room 213, Zhonghuang Building,  
1007 Zhongshan Nan Er Road,  
Xuhui, Shanghai 200030 China  
Tel: 00 - 86 - 21 - 5461 5228  
Mobile: 00 - 86 - 133 8172 2653  
Fax: 00 - 86 - 21 - 5461 5369  
email: [morgan.liu@bellegroup.com.cn](mailto:morgan.liu@bellegroup.com.cn)

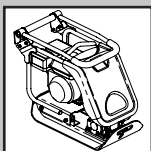
**Belle Group Inc**  
3959 Electric Rd  
Roanoke  
Suite 360  
VA 24018. USA.  
Tel: +1.540.345.5090  
Fax: +1.540.345.5091  
Toll free 866 540 5090  
e-mail: [sales@bellegroup.net](mailto:sales@bellegroup.net)



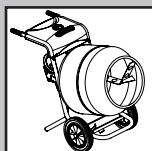
**Belle Group World Parts Centre**  
Unit 5, Bode Business Park  
Ball Haye Green,  
Leek,  
Staffordshire,  
ST13 8BW  
Tel: 44+ 1538 380000  
Fax: 44+ 1538 380038

[www.BelleGroup.com](http://www.BelleGroup.com)

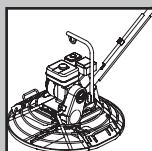
No.1 for Light Construction Equipment



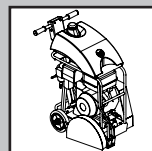
COMPACTING...



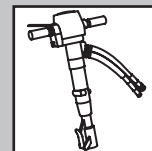
MIXING...



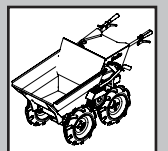
CONCRETING...



CUTTING...



BREAKING...



MOVING