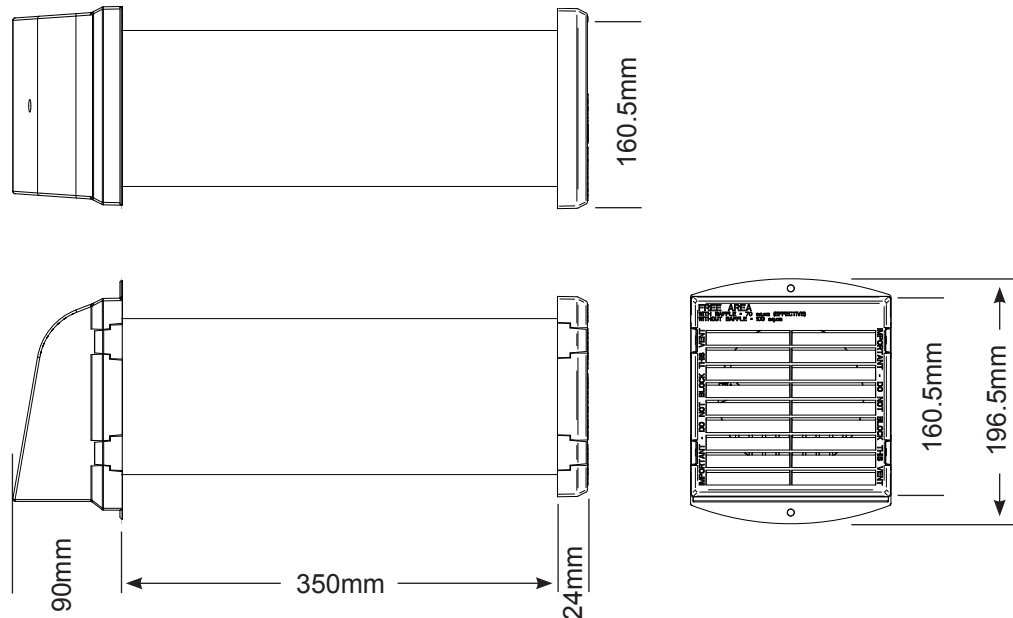


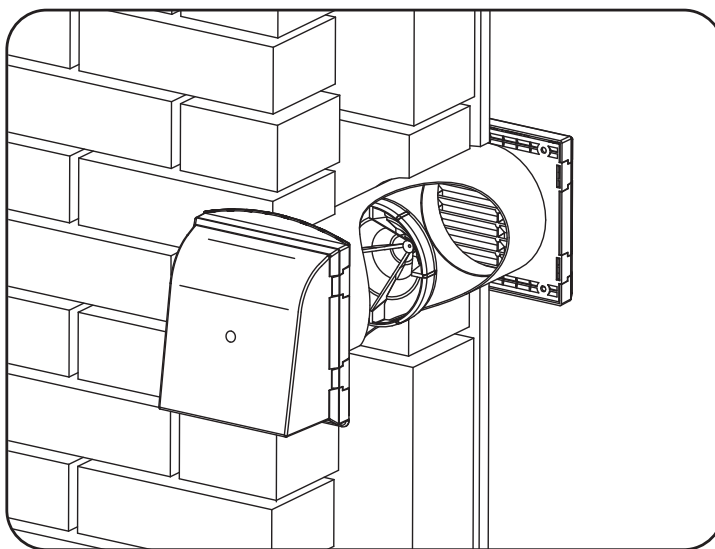
5" Core Drill Ventilator

CODE G900



Description

The Manthorpe 5" Core Drill Vent is designed predominantly for use when ventilating a gas appliance, although can be used to supply general through wall ventilation as well. The kit includes a cowl vent for exterior use, a louvre grille for interior use, a 350mm length of pipe duct and an optional anti-draught baffle which reduces the airflow and also the feel of a draught through the vent. **Without the use of the anti-draught baffle**, the free area of the vent is 100cm², enough to supply an appliance with a rated input of 27kW or 92,000 Btu/h (in accordance with BS5440 Pt.2:2000). **With the anti-draught baffle installed**, the effective free area of the vent is reduced to 70cm² (BRE tested) providing enough ventilation for an appliance with an input rating of 21kW or 71,500 Btu/h. The vent can easily be fitted in both refurb and new build situations with the use of a 5" (127mm) diameter core drill. For situations where the total wall thickness exceeds 350mm, a 1000mm pipe duct can be purchased separately.



References

BS5440 Pt.2:2000
BRE Certificate

Specification

Colours - Cowl	Brown Terracotta White
Louvre always supplied in white	
Packing Details	1 kit per box
Weight	0.650kg
Material	Polypropylene
Manufacturing Process	Injection moulded

MANTHORPE BUILDING PRODUCTS LTD
MANTHORPE HOUSE
BRITAIN DRIVE
CODNOR GATE BUSINESS PARK
RIPLEY
DERBYSHIRE DE5 3ND

TEL: 01773 514 200
FAX: 01773 514 262
EMAIL:
sales@manthorpe.co.uk
WEB
www.manthorpe.co.uk

DRN M.R

Date 26.05.09

DRG No

MBP 8261

Issue

E

The company maintains a policy of continuous development of its product range and reserves the right to amend the specification without notice.