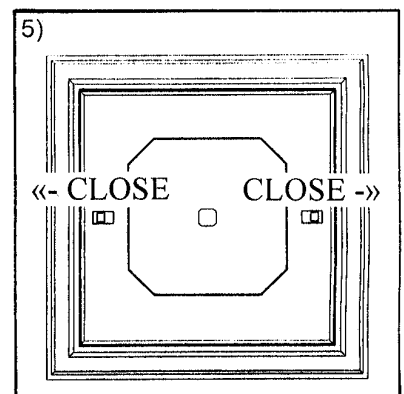
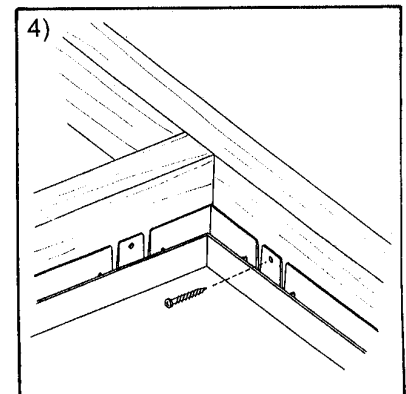
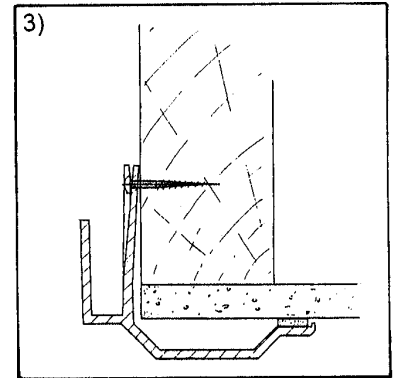
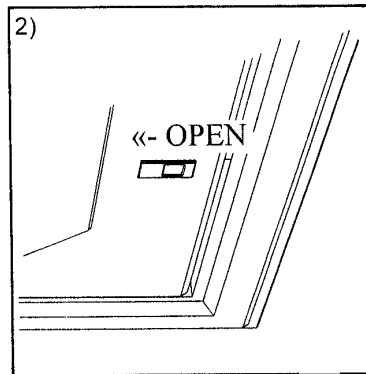
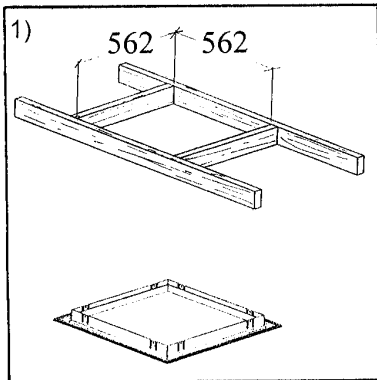
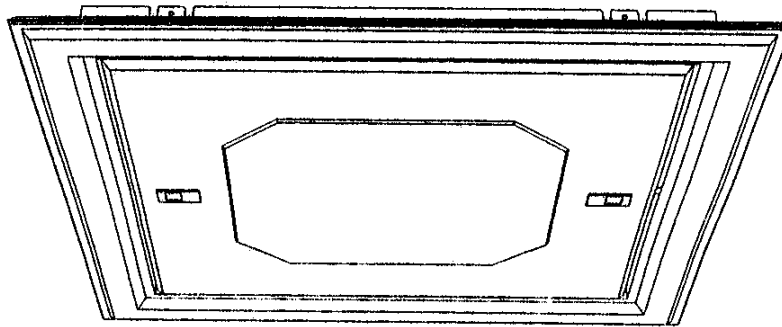


Push Up Loft Access Door

CODE **GL260**



Fitting Instructions:

- 1) Trim out a suitable opening between trusses of 562mm x 562mm. The ceiling should preferably be fully finished and painted before installation of the unit.
- 2) Release both door catches and remove the door from the frame (the door can be stored in the box until the work is completed)
- 3) Locate the frame in the opening ensuring it sits squarely and the draft seal is fully compressed against the ceiling. NOTE: Suitable packing pieces may be required if the opening is oversize. To prevent distortion do not over tighten screws.
- 4) Securely screw the frame in position through the fixing bracket holes provided and bend the fixing clips if necessary towards the trusses before fixing. To prevent distortion do not over tighten screws.
- 5) Position door in the frame and push catches outwards to lock in position.

Note: - THIS IS NOT A STRUCTURAL PRODUCT AND MUST NOT BE WALKED OR STEPPED ON.

MANTHORPE BUILDING PRODUCTS LTD
MANTHORPE HOUSE
BRITAIN DRIVE
CODNOR GATE BUSINESS PARK
RIPLEY
DERBYSHIRE DE5 3ND

TEL: 01773 514 200
FAX: 01773 514 262
EMAIL:
sales@manthorpe.co.uk
WEB:
www.manthorpe.co.uk

DRN M.L.W.O

Date 01.08.03

DRG No

Issue

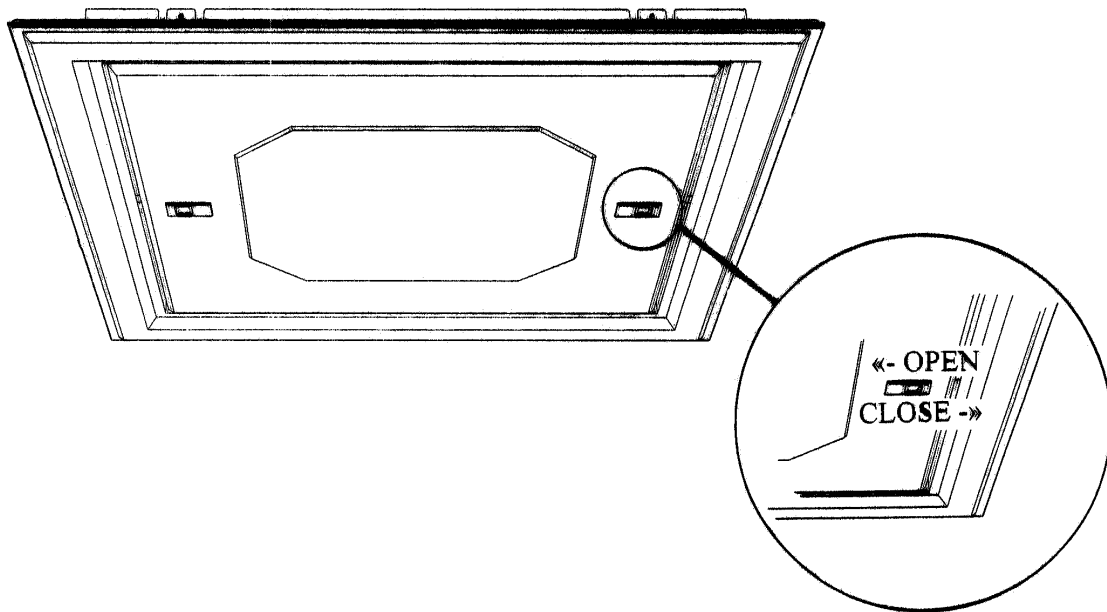
The company maintains a policy of continuous development of its product range and reserves the right to amend the specification without notice.

MBP 8030

A

Push Up Loft Access Door

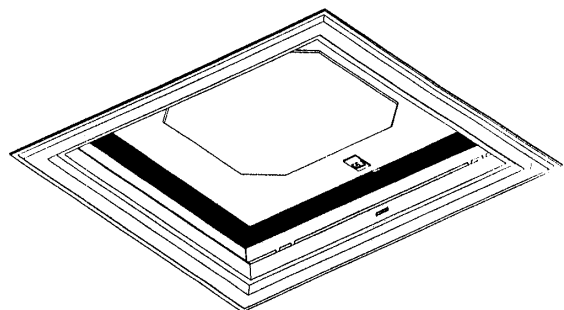
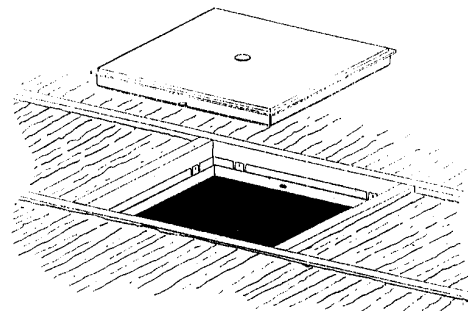
CODE **GL260**



Operating Instructions:

To open the door, simply pull the two locking catches in towards the centre of the door to release from the frame. Push the door upwards into the loft space and place to one side for unrestricted access alternatively the door can be totally removed if required.

To replace the door position over the opening ensuring the catches are in line with the locking apertures in the frame. With the catches still pushed into the centre of the door allow the door to be lowered back into the frame. Check the door is correctly positioned and aligned in the frame and push the locking catches outwards to lock the door into position as shown.



References:

BRE:	DIGEST 262/270
BSI:	BS5250
DOE:	Building Regs L1
NHBC:	Good Practice Guide
NHBC:	Standards 7.2

MANTHORPE BUILDING PRODUCTS LTD
 MANTHORPE HOUSE
 BRITAIN DRIVE
 CODNOR GATE BUSINESS PARK
 RIPLEY
 DERBYSHIRE DE5 3ND

TEL: 01773 514 200
 FAX: 01773 514 262
 EMAIL:
sales@manthorpe.co.uk
 WEB:
www.manthorpe.co.uk

DRN M.L.W.O

Date 01.08.03

DRG No

Issue

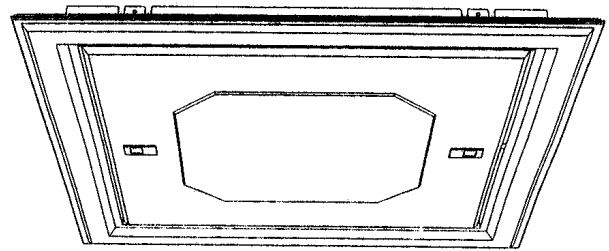
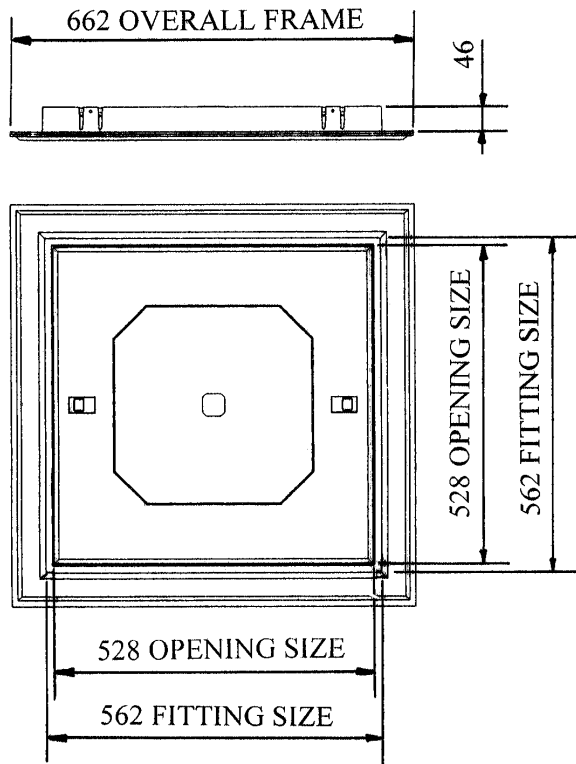
The company maintains a policy of continuous development of its product range and reserves the right to amend the specification without notice.

MBP 8030

A

Push Up Loft Access Door

CODE **GL260**



Operating Instructions:

To open the door, simply pull the two locking catches in towards the centre of the door to release from the frame. Push the door upwards into the loft space and place to one side for unrestricted access alternatively the door can be totally removed if required.

To replace the door position over the opening ensuring the catches are in line with the locking apertures in the frame. With the catches still pushed into the centre of the door allow the door to be lowered back into the frame. Check the door is correctly positioned and aligned in the frame and push the locking catches outwards to lock the door into position as shown.

COLOURS	White Textured Finish
PACKING DETAILS	Individual cardboard box with internal polythene bag to protect product.
WEIGHT	2.8kg per pack
MATERIAL DOOR & FRAME	High Impact Polystyrene
COMPRESSION SEAL (DOOR)	Closed Cell P.V.C
COMPRESSION SEAL (FRAME)	Open Cell Polyurethane
INSULATION	Expanded Polystyrene
FIXING SCREWS & BRACKETS	Zinc Plated Mild Steel
MANUFACTURING PROCESS	Injection Molded
U VALUE	0.86 W/M ² K

MANTHORPE BUILDING PRODUCTS LTD
MANTHORPE HOUSE
BRITAIN DRIVE
CODNOR GATE BUSINESS PARK
RIPLEY
DERBYSHIRE DE5 3ND

TEL: 01773 514 200
FAX: 01773 514 262
EMAIL:
sales@manthorpe.co.uk
WEB:
www.manthorpe.co.uk

DRN M.L.W.O

Date 01.08.03

DRG No

Issue

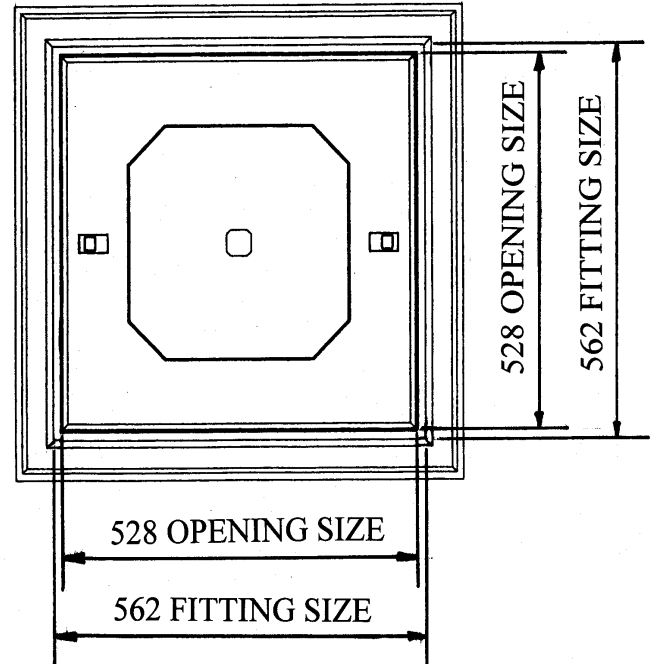
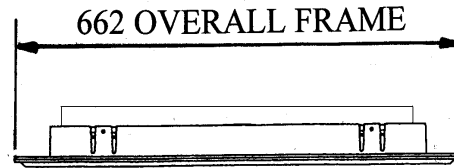
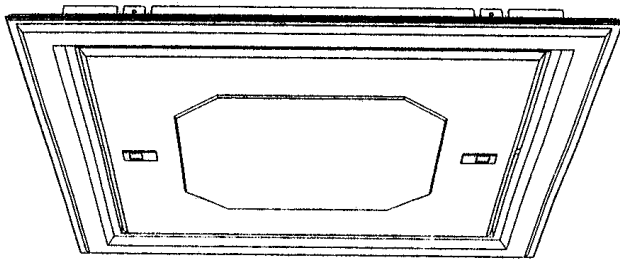
The company maintains a policy of continuous development of its product range and reserves the right to amend the specification without notice.

MBP 8030

A

PUSH UP LOFT ACCESS DOOR INSULATED TO PART L REGULATIONS

CODE GL260 L



Description:

The GL260 Push Up Loft Access Door provides an unobtrusive and cost effective alternative to traditional loft space access.

The catches pull the door down onto the compression seal to give a tight seal between the door and frame preventing the problem of moist air entering the roof space and causing damage to the roof structure and items in the loft space. Also included with in the door is 110mm of EPS insulation material.

The door and frame have been designed with the aesthetic appearance of the modern home in mind and finished with a lightly textured surface that can be easily cleaned with a solvent free damp cloth.

Alternatively the GL260 can be painted to match interior decor.

COLOUR	White Textured Finish
PACKING DETAILS	Individual cardboard box with internal polythene bag
MATERIAL	High impact Injection moulded Polystyrene
DOOR SEAL	PVC Foam
FRAME SEAL	Polyurethane
INSULATION	EPS
U-VALUE	0.35 W/M"

MANTHORPE BUILDING PRODUCTS LTD
MANTHORPE HOUSE
BRITTIAN DRIVE
CODNOR GATE BUSINESS PARK
RIPLEY
DERBYSHIRE DE5 3ND

TEL: 01773 514 200
FAX: 01773 514 262
EMAIL: sales@manthorpe.co.uk
WEB: www.manthorpe.co.uk

DRN M.C

Date 16.07.03

DRG No

Issue

The company maintains a policy of continuous development of its product range and reserves the right to amend the specification without notice.

MBP 8193

A