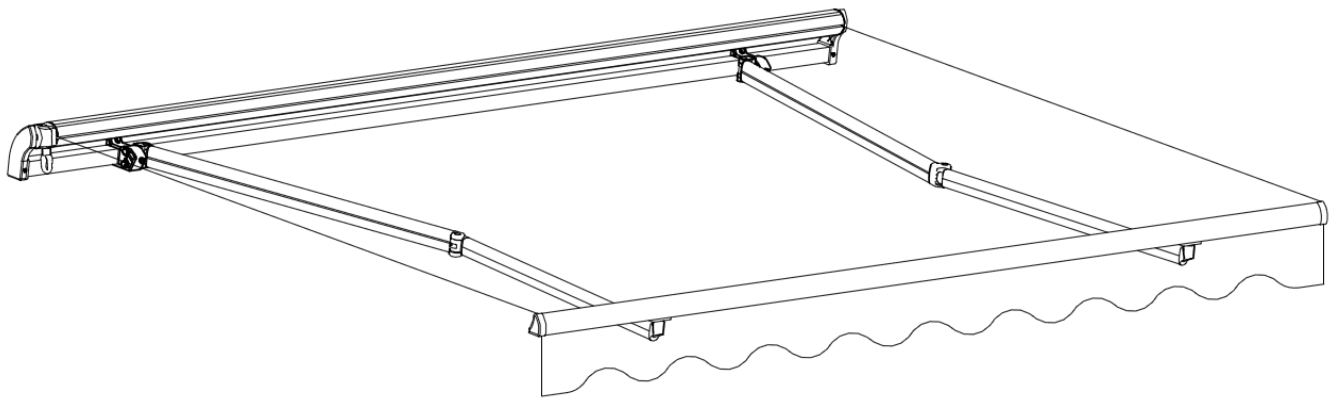




# Installation and Operation Instructions For Greenhurst Easy Fit Awnings



## Contents

Specifications	(1)
Safe installation and operation	(1)
Parts list	(2)
Installation procedure	(3) (4) (5)
Description of mistake	(5)
Operation of Awning	(5)
Name list of parts	(6)

# Specification/Safety operation

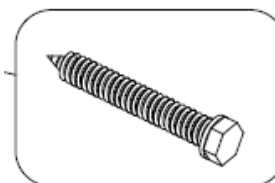
1

## Specification

Product name	Material and surface treatment	Applicable wall type	Recommended installation height	Applicable weather
BW13000 W×L retractable awning framework W:Product length L:Arm length	Materials: Steel tube, aluminum alloy, plastic parts, dacron cloth Service treatment:Tubes: plastic spraying (painting) and oxidation.Cloth surface: waterproof treatment	Reinforced concrete walls, brick walls and wooden walls	2.5m - 3.5m	The products are used to shield sunshine, so it is only for use when the wind is under level 5 and it is not raining as well. Not suitable to use in rainy or windy conditions

The lifespan of the product is approximately 5 years (assuming the frame is opened and closed twice a day). The production date is marked on the package.

※Only screws for reinforced concrete walls and brick walls are provided. If you want to install the product on a wooden wall, please seek further advice and refer to the picture to the side.



Please see product picture on the cover. Two people are needed to install the product  
Important: Read "Instructions for installation and operation" carefully before installation. Keep the instruction in a safe place for future reference.

Symbol explanation:

- 1 Means it is forbidden
- 2 Means important

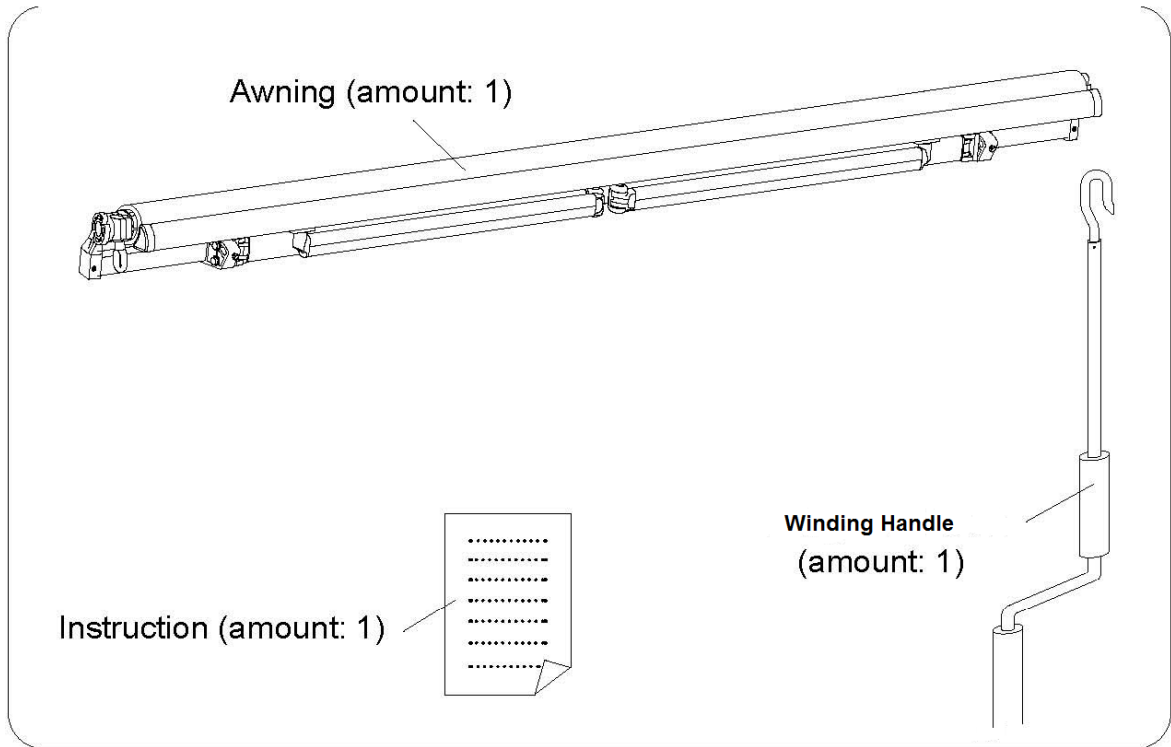
The installation hardness between wooden wall and screw should be the same or larger than that in reinforced concrete wall. Please ask professionals for help if you are not sure.

Safe installation and operation

- 1 Never install it in high and windy places, as the awning may fall and injure people.
- 2 Don't use it in places that have vibrations or impulses.
- 2 Don't use it in places of high temperature such as walls near furnaces.
- 2 Don't put heavy items on the frame as it may fall down and cause damages.
- 1 Never use it in rainy and windy conditions.
- 1 Never use it for any other purpose other than a sun awning.
- 1 Be careful where you place your fingers during installation.
- 1 Two adults are needed to move and install the awning as the product is big and heavy.
- 1 Please use all the screws and nuts correctly during installation as it is very dangerous if you leave them loose.
- 1 Please close the sunshade in windy and rainy conditions
- 2 Stains and bird droppings should be washed or sponged away using a mild detergent.

# Parts List

2

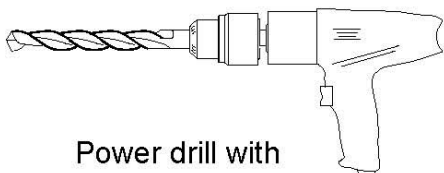


Wall Bracket

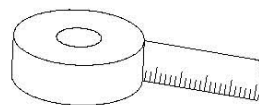
Expansion bolt:

Product model	Number of wall bases	Number of setscrews
< 3.3m	2	4
3.3m~4.25m	3	6
4.5m~6m	4	8

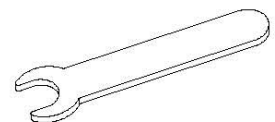
Please prepare the following tools before installation (they are not included in the products)



Power drill with drilling bit of  $\phi 14$



Tape

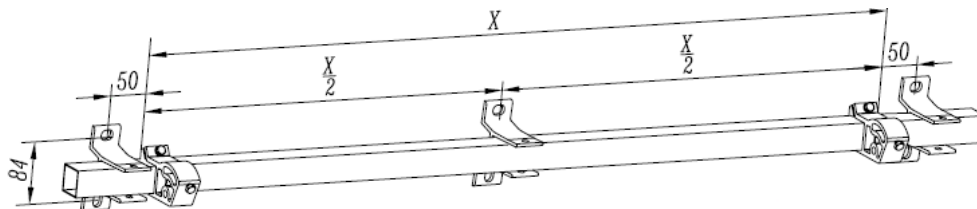


Wrench

# Installation procedure

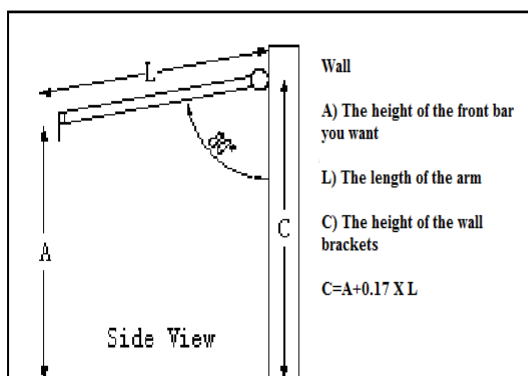
## 3

Distance between neighbouring wall brackets when the product length is 3.5m (If awning size is under 2.5m or 3m, only two wall brackets are available on each end of torsion bar while there is no wall brackets in the middle of the awning.)



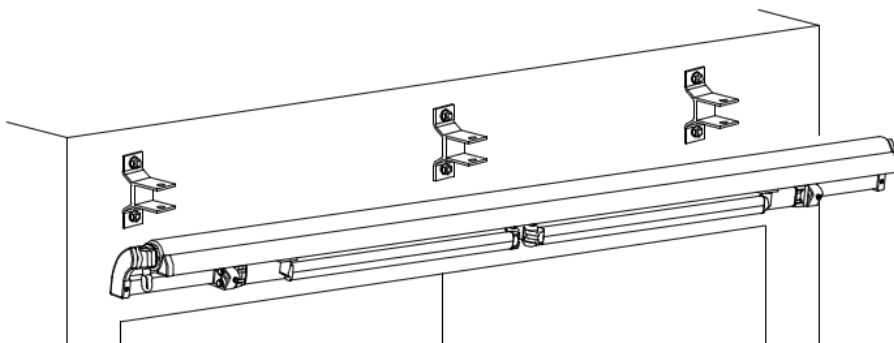
### Installation height of wall brackets.

As shown in the figure, we recommend making the awning surface to form an angle of about 80 degrees with the wall when it is open.



According to the height of front line (A), the recommended angle of 80 degrees and the length of the arm (L), the value of (C) is the minimum value of installation height of wall brackets.

Install the awning on the wall brackets according to "installation distance between wall brackets", put the original bolts on the wall brackets and tighten them. Finally fasten all the expansion bolts.



# Installation procedure

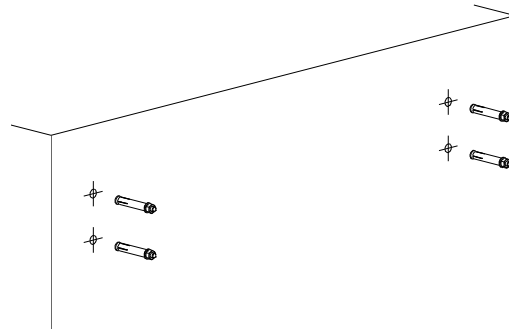
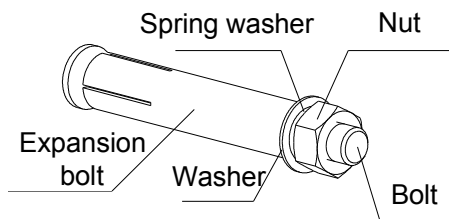
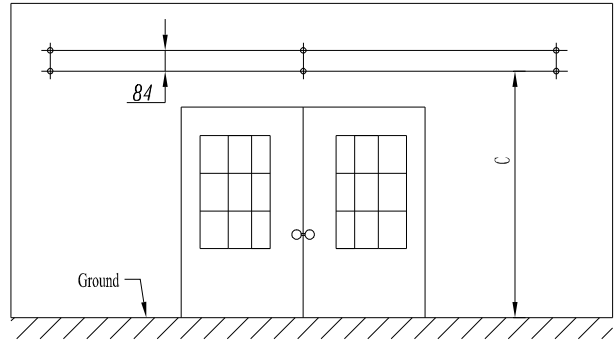
## Drill holes on the wall

Drill holes for wall brackets on the wall according to the installation distances and heights of the wall bases. The diameter of the hole is 14mm and the depth of the holes must be the same as that of expansion bolts

The holes of each group must be on the same line in a horizontal direction and vertical direction.

(Note: It is recommended to draw lines on the wall first to ensure precise position and size of the holes)

Hammer all the expansion bolts into the holes, take down the nut and washer

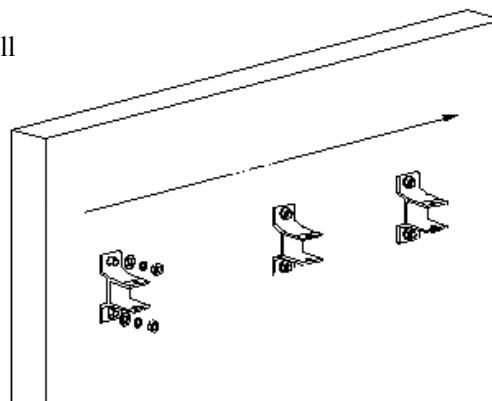


Note:

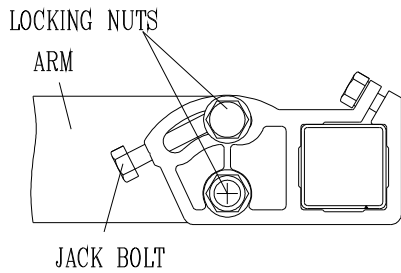
1. The expansion bolts must be hammered into the wall.
2. The bolt must be stick out of the wall so that the wall base can be installed on it.

(Note: the nut and washer might be separated from the bolt during the process of transportation, please put them back into their original positions before you hammer them into the wall during installation.)

Take out the original bolts of the wall brackets as shown in the figure, use expansion bolts to fix the wall brackets on to the wall. Don't make it too tight at the beginning. Just tighten to make the wall brackets stay on the wall with a little movement



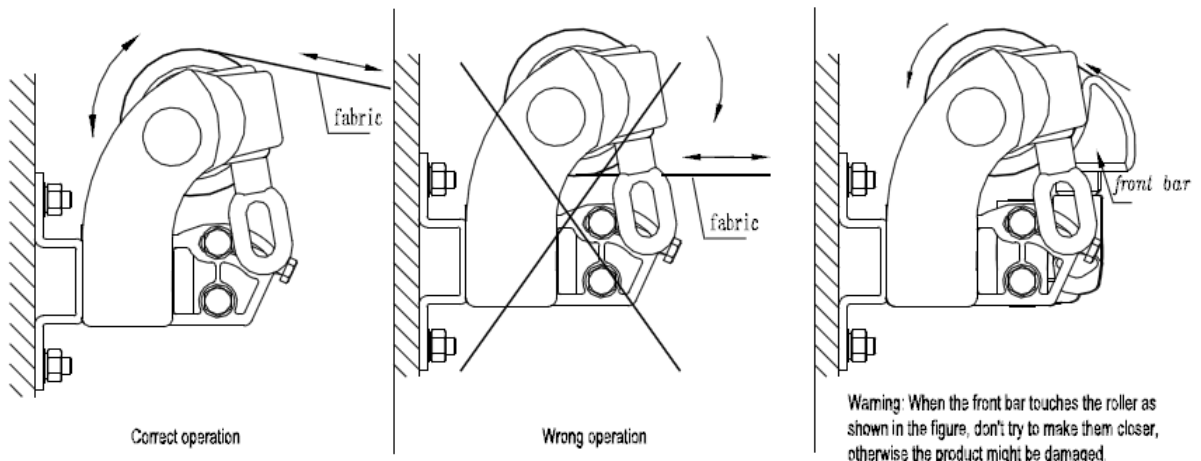
Make sure all the wall brackets are on the same horizontal line



INSTRUCTION FOR THE FRONT SIDE LEVELING

- 1.LOOSEN THE LOCKING NUTS.
- 2.TURN THE JACK BOLT TO ADJUST PITCH.
- 3.ADJUST THE ARM UNTIL THE FRONT SIDE STAYS IN HORIZONTAL LINE .
- 4.TIGHTEN THE LOCKING NUTS.

Description of Potential Problems



Operation of the Awning

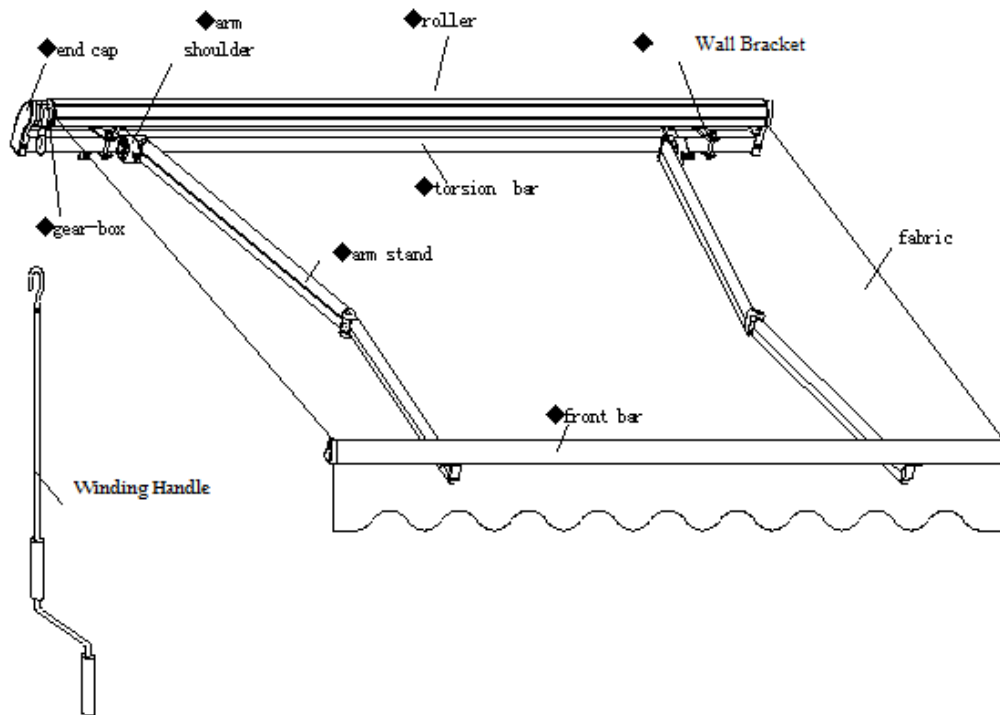
To extend the Awning, attach the winding handle to the winding ring loop and turn clockwise until fully open

To retract the awnings turn the handle anti-clockwise

The winding handle can be removed when the awning is not in use.

Customer Service and Helpline

Should you require further details or assistance please contact our customer care line on 01562 753040



※Note:

1. The gear box is the most vulnerable part of the product, so it needs to be checked once every three months.
2. It is recommended the Awning is taken off the wall brackets and stored indoors during the winter months to help prolong the life of your awning.